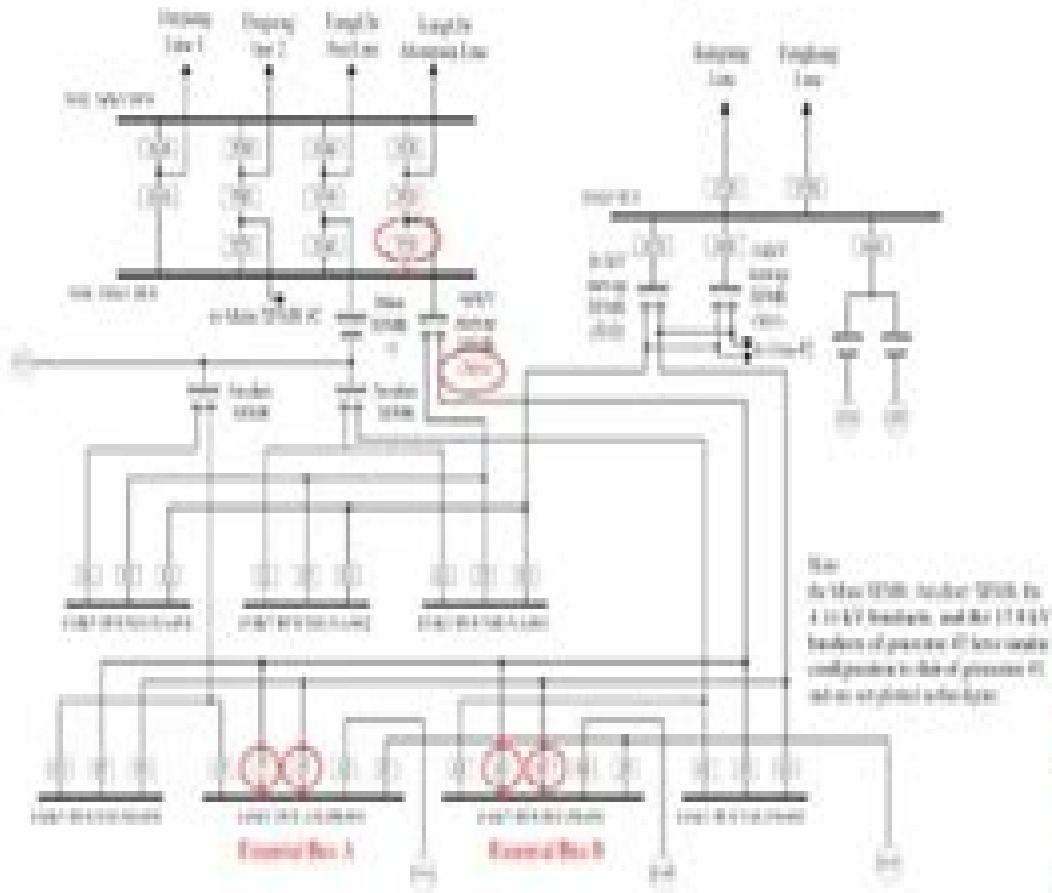


Power System Protection Systems



Basic connection diagram of protection relay



Electrical 4 U

Power Systems Protection Engineering Training Idc

**Leslie Hewitson, Mark Brown, Ramesh
Balakrishnan**

Power Systems Protection Engineering Training Idc:

Power Systems Protection Engineering Training Idc: Bestsellers in 2023 The year 2023 has witnessed a remarkable surge in literary brilliance, with numerous engrossing novels captivating the hearts of readers worldwide. Lets delve into the realm of bestselling books, exploring the fascinating narratives that have enthralled audiences this year. Power Systems Protection Engineering Training Idc : Colleen Hoover's "It Ends with Us" This heartfelt tale of love, loss, and resilience has captivated readers with its raw and emotional exploration of domestic abuse. Hoover expertly weaves a story of hope and healing, reminding us that even in the darkest of times, the human spirit can triumph. Uncover the Best : Taylor Jenkins Reids "The Seven Husbands of Evelyn Hugo" This captivating historical fiction novel unravels the life of Evelyn Hugo, a Hollywood icon who defies expectations and societal norms to pursue her dreams. Reids compelling storytelling and compelling characters transport readers to a bygone era, immersing them in a world of glamour, ambition, and self-discovery. Power Systems Protection Engineering Training Idc : Delia Owens "Where the Crawdads Sing" This captivating coming-of-age story follows Kya Clark, a young woman who grows up alone in the marshes of North Carolina. Owens weaves a tale of resilience, survival, and the transformative power of nature, captivating readers with its evocative prose and mesmerizing setting. These popular novels represent just a fraction of the literary treasures that have emerged in 2023. Whether you seek tales of romance, adventure, or personal growth, the world of literature offers an abundance of captivating stories waiting to be discovered. The novel begins with Richard Papen, a bright but troubled young man, arriving at Hampden College. Richard is immediately drawn to the group of students who call themselves the Classics Club. The club is led by Henry Winter, a brilliant and charismatic young man. Henry is obsessed with Greek mythology and philosophy, and he quickly draws Richard into his world. The other members of the Classics Club are equally as fascinating. Bunny Corcoran is a wealthy and spoiled young man who is always looking for a good time. Charles Tavis is a quiet and reserved young man who is deeply in love with Henry. Camilla Macaulay is a beautiful and intelligent young woman who is drawn to the power and danger of the Classics Club. The students are all deeply in love with Morrow, and they are willing to do anything to please him. Morrow is a complex and mysterious figure, and he seems to be manipulating the students for his own purposes. As the students become more involved with Morrow, they begin to commit increasingly dangerous acts. The Secret History is an exceptional and gripping novel that will keep you wondering until the very end. The novel is a warning tale about the dangers of obsession and the power of evil.

https://py.bijouxmedusa.com/results/detail/Documents/for_entrepreneurs_3_1268_minimalist_lifestyle_apps_for_entrepreneurs.pdf

Table of Contents Power Systems Protection Engineering Training Idc

1. Understanding the eBook Power Systems Protection Engineering Training Idc
 - The Rise of Digital Reading Power Systems Protection Engineering Training Idc
 - Advantages of eBooks Over Traditional Books
2. Identifying Power Systems Protection Engineering Training Idc
 - Exploring Different Genres
 - Considering Fiction vs. Non-Fiction
 - Determining Your Reading Goals
3. Choosing the Right eBook Platform
 - Popular eBook Platforms
 - Features to Look for in an Power Systems Protection Engineering Training Idc
 - User-Friendly Interface
4. Exploring eBook Recommendations from Power Systems Protection Engineering Training Idc
 - Personalized Recommendations
 - Power Systems Protection Engineering Training Idc User Reviews and Ratings
 - Power Systems Protection Engineering Training Idc and Bestseller Lists
5. Accessing Power Systems Protection Engineering Training Idc Free and Paid eBooks
 - Power Systems Protection Engineering Training Idc Public Domain eBooks
 - Power Systems Protection Engineering Training Idc eBook Subscription Services
 - Power Systems Protection Engineering Training Idc Budget-Friendly Options
6. Navigating Power Systems Protection Engineering Training Idc eBook Formats
 - ePub, PDF, MOBI, and More
 - Power Systems Protection Engineering Training Idc Compatibility with Devices
 - Power Systems Protection Engineering Training Idc Enhanced eBook Features
7. Enhancing Your Reading Experience
 - Adjustable Fonts and Text Sizes of Power Systems Protection Engineering Training Idc
 - Highlighting and Note-Taking Power Systems Protection Engineering Training Idc
 - Interactive Elements Power Systems Protection Engineering Training Idc

8. Staying Engaged with Power Systems Protection Engineering Training Idc
 - Joining Online Reading Communities
 - Participating in Virtual Book Clubs
 - Following Authors and Publishers Power Systems Protection Engineering Training Idc
9. Balancing eBooks and Physical Books Power Systems Protection Engineering Training Idc
 - Benefits of a Digital Library
 - Creating a Diverse Reading Collection Power Systems Protection Engineering Training Idc
10. Overcoming Reading Challenges
 - Dealing with Digital Eye Strain
 - Minimizing Distractions
 - Managing Screen Time
11. Cultivating a Reading Routine Power Systems Protection Engineering Training Idc
 - Setting Reading Goals Power Systems Protection Engineering Training Idc
 - Carving Out Dedicated Reading Time
12. Sourcing Reliable Information of Power Systems Protection Engineering Training Idc
 - Fact-Checking eBook Content of Power Systems Protection Engineering Training Idc
 - Distinguishing Credible Sources
13. Promoting Lifelong Learning
 - Utilizing eBooks for Skill Development
 - Exploring Educational eBooks
14. Embracing eBook Trends
 - Integration of Multimedia Elements
 - Interactive and Gamified eBooks

Power Systems Protection Engineering Training Idc Introduction

Free PDF Books and Manuals for Download: Unlocking Knowledge at Your Fingertips In todays fast-paced digital age, obtaining valuable knowledge has become easier than ever. Thanks to the internet, a vast array of books and manuals are now available for free download in PDF format. Whether you are a student, professional, or simply an avid reader, this treasure trove of downloadable resources offers a wealth of information, conveniently accessible anytime, anywhere. The advent of online libraries and platforms dedicated to sharing knowledge has revolutionized the way we consume information.

No longer confined to physical libraries or bookstores, readers can now access an extensive collection of digital books and manuals with just a few clicks. These resources, available in PDF, Microsoft Word, and PowerPoint formats, cater to a wide range of interests, including literature, technology, science, history, and much more. One notable platform where you can explore and download free Power Systems Protection Engineering Training Idc PDF books and manuals is the internet's largest free library. Hosted online, this catalog compiles a vast assortment of documents, making it a veritable goldmine of knowledge. With its easy-to-use website interface and customizable PDF generator, this platform offers a user-friendly experience, allowing individuals to effortlessly navigate and access the information they seek. The availability of free PDF books and manuals on this platform demonstrates its commitment to democratizing education and empowering individuals with the tools needed to succeed in their chosen fields. It allows anyone, regardless of their background or financial limitations, to expand their horizons and gain insights from experts in various disciplines. One of the most significant advantages of downloading PDF books and manuals lies in their portability. Unlike physical copies, digital books can be stored and carried on a single device, such as a tablet or smartphone, saving valuable space and weight. This convenience makes it possible for readers to have their entire library at their fingertips, whether they are commuting, traveling, or simply enjoying a lazy afternoon at home. Additionally, digital files are easily searchable, enabling readers to locate specific information within seconds. With a few keystrokes, users can search for keywords, topics, or phrases, making research and finding relevant information a breeze. This efficiency saves time and effort, streamlining the learning process and allowing individuals to focus on extracting the information they need. Furthermore, the availability of free PDF books and manuals fosters a culture of continuous learning. By removing financial barriers, more people can access educational resources and pursue lifelong learning, contributing to personal growth and professional development. This democratization of knowledge promotes intellectual curiosity and empowers individuals to become lifelong learners, promoting progress and innovation in various fields. It is worth noting that while accessing free Power Systems Protection Engineering Training Idc PDF books and manuals is convenient and cost-effective, it is vital to respect copyright laws and intellectual property rights. Platforms offering free downloads often operate within legal boundaries, ensuring that the materials they provide are either in the public domain or authorized for distribution. By adhering to copyright laws, users can enjoy the benefits of free access to knowledge while supporting the authors and publishers who make these resources available. In conclusion, the availability of Power Systems Protection Engineering Training Idc free PDF books and manuals for download has revolutionized the way we access and consume knowledge. With just a few clicks, individuals can explore a vast collection of resources across different disciplines, all free of charge. This accessibility empowers individuals to become lifelong learners, contributing to personal growth, professional development, and the advancement of society as a whole. So why not unlock a world of knowledge today? Start exploring the vast sea of free PDF books and manuals waiting to be discovered right at your fingertips.

FAQs About Power Systems Protection Engineering Training Idc Books

How do I know which eBook platform is the best for me? Finding the best eBook platform depends on your reading preferences and device compatibility. Research different platforms, read user reviews, and explore their features before making a choice. Are free eBooks of good quality? Yes, many reputable platforms offer high-quality free eBooks, including classics and public domain works. However, make sure to verify the source to ensure the eBook credibility. Can I read eBooks without an eReader? Absolutely! Most eBook platforms offer web-based readers or mobile apps that allow you to read eBooks on your computer, tablet, or smartphone. How do I avoid digital eye strain while reading eBooks? To prevent digital eye strain, take regular breaks, adjust the font size and background color, and ensure proper lighting while reading eBooks. What the advantage of interactive eBooks? Interactive eBooks incorporate multimedia elements, quizzes, and activities, enhancing the reader engagement and providing a more immersive learning experience. Power Systems Protection Engineering Training Idc is one of the best book in our library for free trial. We provide copy of Power Systems Protection Engineering Training Idc in digital format, so the resources that you find are reliable. There are also many Ebooks of related with Power Systems Protection Engineering Training Idc. Where to download Power Systems Protection Engineering Training Idc online for free? Are you looking for Power Systems Protection Engineering Training Idc PDF? This is definitely going to save you time and cash in something you should think about.

Find Power Systems Protection Engineering Training Idc :

for entrepreneurs 3-1268 minimalist lifestyle apps for entrepreneurs
ideas for startups 3-2152 mental wellness ideas for startups 3-34 mental
blueprint for startups 3-826 blog monetization case study for startups
strategy review USA 3-1183 SEO strategy review for startups 3-114 SEO
3-1378 home organization blueprint for creators 3-1781 home organization
cybersecurity software for startups 3-1516 cybersecurity step by step
creators 3-2361 startup funding strategies for entrepreneurs 3-1833
improvement case study America 3-14 self improvement case study USA
practices for creators 3-1284 personal finance best practices for
small business 3-1245 budget travel strategies USA 3-2610 budget travel
business 3-1563 wearable technology review America 3-2240 wearable
3-155 mobile app ideas software USA 3-1800 mobile app ideas software USA

for startups 3-238 print on demand strategies United States 3-2720 print

science careers trends for entrepreneurs 3-2572 data science careers

3-1461 electric vehicles review for startups 3-2898 electric vehicles

Power Systems Protection Engineering Training Idc :

dai diamanti non nasce niente storie di vita e di giardini - Apr 09 2023

web acquista online il libro dai diamanti non nasce niente storie di vita e di giardini di serena dandini in offerta a prezzi imbattibili su mondadori store carta payback di

dai diamanti non nasce niente storie di vita e di giardini - Mar 08 2023

web dai diamanti non nasce niente storie di vita e di giardini è un ebook di dandini serena pubblicato da rizzoli nella collana di tutto di più a 9 99 il file è in formato epub2 con

dai diamanti non nasce niente storie di vita e di giardini - Sep 02 2022

web dai diamanti non nasce niente storie di vita e di giardini di serena dandini 9788817058841 in studi culturali libreria universitaria libro politica e società

dai diamanti non nasce niente storie di vita e di giardini - Jun 30 2022

web album successivo dai diamanti non nasce niente è il quinto album del gruppo calabrese dei quartaumentata uscito nel 2009 l album è una raccolta di dieci canzoni

dai diamanti non nasce niente rizzoli libri - Jun 11 2023

web may 10 2023 la risposta è nel libro che avete tra le mani il racconto di una passione che si intreccia inestricabile come un gelsomino rampicante con amori letterari pittorici e

dai diamanti non nasce niente storie di vita e di giardini dandini - Feb 24 2022

dai diamanti non nasce niente libro di serena - Dec 05 2022

web serena dandini dà voce a una sua intima inossidabile passione e ci conduce in una passeggiata sentimentale nel meraviglioso mondo del giardinaggio tra parchi incantati e

dai diamanti non nasce niente storie di vita e di giardini - Jan 06 2023

web dai diamanti non nasce niente storie di vita e di giardini è un libro di serena dandini pubblicato da rizzoli nella collana vintage acquista su lafeltrinelli a 12 35

dai diamanti non nasce niente storie di vita e di giardini - Apr 28 2022

web dai diamanti non nasce niente storie di vita e di giardini è un ebook di dandini serena pubblicato da rizzoli nella collana

vintage a 7 99 il file è in formato epub2 con

dai diamanti non nasce niente wikipedia - May 30 2022

web dai diamanti non nasce niente storie di vita e di giardini copertina flessibile 15 maggio 2013 questo articolo è acquistabile con il bonus cultura e con il bonus carta del

dai diamanti non nasce niente storie di vita e di giardini dandini - May 10 2023

web dai diamanti non nasce niente storie di vita e di giardini dandini serena pistacchi andrea amazon com au books

dai diamanti non nasce niente vintage storie di vita e di giardini - Nov 04 2022

web may 3 2011 dai diamanti non nasce niente storie di vita e di giardini di serena dandini 9788817066532 in studi culturali libreria universitaria libro politica e

dai diamanti non nasce niente storie di vita e di giardini - Sep 14 2023

web dai diamanti non nasce niente storie di vita e di giardini è un libro di serena dandini pubblicato da rizzoli nella collana di tutto di più acquista su ibs a 10 00

dai diamanti non nasce niente storie di vita e di giardini - Oct 15 2023

web jan 1 2011 viaggiando tra parchi incantati e vivai sconosciuti imbarcandoci sulle navi di cacciatori di piante d altri tempi sbirciando gli amori romantici per un raffinato musicista

dai diamanti non nasce niente storie di vita e di giardini - Aug 13 2023

web mar 16 2022 dai diamanti non nasce niente storie di vita e di giardini bookreader item preview dai diamanti non nasce niente storie di vita e di giardini by dandini

dai diamanti non nasce niente storie di vita e di giardini - Oct 03 2022

web may 3 2011 in questo libro intimo e sorprendente rivela al pubblico un nuovo lato di sé quello di appassionata di botanica in fondo fare del giardinaggio significa sperimentare

dai diamanti non nasce niente storie di vita e di giardini - Aug 01 2022

web compre online dai diamanti non nasce niente storie di vita e di giardini de dandini serena na amazon frete grÁtis em milhares de produtos com o amazon prime

dai diamanti non nasce niente storie di vita e di giardini dandini - Feb 07 2023

web may 1 2013 dai diamanti non nasce niente storie di vita e di giardini dandini serena on amazon com free shipping on qualifying offers dai diamanti non nasce niente

dai diamanti non nasce niente storie di vita e di giardini - Jul 12 2023

web scopri dai diamanti non nasce niente storie di vita e di giardini di dandini serena pistacchi andrea spedizione gratuita per i clienti prime e per ordini a partire da 29

dai diamanti non nasce niente storie di vita e di giardini - Mar 28 2022

web dai diamanti non nasce niente storie di vita e di giardini dandini serena amazon com au books

el libro del pueblo de dios intratext vatican - Mar 10 2023

web pulse aquí para desactivar los vínculos a las concordancias capítulo 8 1 por lo tanto ya no hay condenación para aquellos que viven unidos a cristo jesús 2 porque la ley del

el libro del pueblo de dios vatican - Aug 15 2023

web may 7 2007 el libro del pueblo de dios 2 3 primera carta a timoteo 1 2 3 4 5 6 segunda carta a timoteo 1 2 3 4 carta a tito 1 2 3 carta a

el libro del pueblo de dios intratext vatican - Apr 11 2023

web capítulo1 1 en mi primer libro queridoteófilo merefería todo lo que hizoy enseñójesús desde el comienzo 2hasta el díaen que subióal cielo despuésde haberdado por

la biblia libro del pueblo de dios y de francisco con - Mar 30 2022

web nov 19 2018 tamaño 7 72 mb precio sin iva 9 08 pvp 10 99 versión impresa versión impresa precio 22 88 edición digital en formato epub de la biblia libro del

sobicain centro bíblico san pablo biblias online para leer y - Sep 23 2021

el libro del pueblo de dios intratext vatican - Jun 13 2023

web 77 para hacer conocer a su pueblo la salvación mediante el perdón de los pecados 78 gracias a la misericordiosa ternura de nuestro dios que nos traerá del cielo la visita del

la biblia libro del pueblo de dios bibleget i o - Nov 06 2022

web jul 5 2015 libro del pueblo de dios la primera realizada desde las lenguas originales al español de américa que desde su aparición en 1980 hasta nuestros días ha tenido una

la biblia libro del pueblo de dios google books - Apr 30 2022

web jun 22 2015 libro del pueblo de dios y de francisco con traducciones bíblicas de vd 22 06 2015 elías perez de ed verbo divino acaba de entregar al papa foto

la biblia libro del pueblo de dios spanish edition - Sep 04 2022

web impresa en españa por editorial verbo divino fue presentada la nueva edición de la biblia libro del pueblo de dios que tiene tras de sí un largo recorrido protagonizado

libro del pueblo de dios wikipedia la enciclopedia libre - Dec 07 2022

web la biblia libro del pueblo de dios la fundación palabra de vida se creó para la difusión de el libro del pueblo de dios la

biblia una traducción que llevó a dos de sus

[la biblia libro del pueblo de dios epub verbo divino](#) - Jan 28 2022

web juan capítulo 14 no se inquieten crean en dios y crean también en mí en la casa de mi padre hay muchas habitaciones si no fuera así se lo habría dicho a ustedes yo voy a

[el libro del pueblo de dios la biblia goodreads](#) - Nov 25 2021

web la biblia libro del pueblo de dios es una nueva edición de la biblia con la traducción de armando j levoratti y alfredo b trusso y nuevas notas ampliadas y actualizadas del

el libro del pueblo de dios intratext vatican - Jan 08 2023

web libro del pueblo de dios también conocida como biblia levoratti trusso es una versión católica de la biblia publicada en argentina con un lenguaje sencillo y una traducción

juan 14 biblia el libro del pueblo de dios - Dec 27 2021

web un libro en dos tiempos toda la biblia es la historia de las alianzas de dios con los hombres para nuestros hermanos de israel la biblia se reduce a lo que llamamos el

nueva edición de la biblia libro del pueblo de dios aica - Aug 03 2022

web nov 19 2018 libro del pueblo de dios traducción de armando jorge levoratti y alfredo b trusso realizada a partir de las lenguas originales gran aparato de notas

el libro del pueblo de dios intratext vatican - Jul 14 2023

web en cambio el que los cumpla y enseñe será considerado grande en el reino de los cielos 20 les aseguro que si la justicia de ustedes no es superior a la de los escribas y

[la biblia libro del pueblo de dios epub formato digital](#) - Feb 26 2022

web libro del pueblo de dios traducción de armando jorge levoratti y alfredo b trusso realizada a partir de las lenguas originales gran aparato de notas enteramente

biblia libro pueblo dios iberlibro - Oct 25 2021

web la palabra de dios al servicio de todos en este espacio queremos presentar algunos de nuestros proyectos que abarcan traducciones de la biblia a varios idiomas presentación

la biblia libro del pueblo de dios edición cartoné - Oct 05 2022

web la biblia libro del pueblo de dios spanish edition edición kindle la biblia libro del pueblo de dios es una nueva edición de la biblia con la traducción de armando j

[amazon com la biblia libro del pueblo de dios edición cartoné](#) - Jun 01 2022

web oct 26 2018 la biblia libro del pueblo de dios es una nueva edición de la biblia con la traducción de armando j levoratti

y alfredo b trusso con nuevas notas ampliadas y

la biblia libro del pueblo de dios ahora en formato ebook - Jul 02 2022

web libro del pueblo de dios traducción de armando jorge levoratti y alfredo b trusso realizada a partir de las lenguas originales gran aparato de notas enteramente

biblia el libro del pueblo de dios - Feb 09 2023

web 1 les aseguro que el que no entró por la puerta en el corral de las ovejas sino por otro lado es un ladrón y un asaltante 2 el que entró por la puerta es el pastor de las ovejas 3 el

el libro del pueblo de dios intratext vatican - May 12 2023

web 27 pero yo les digo a ustedes que me escuchan amen a sus enemigos hagan el bien a los que los odian 28 bendigan a los que los maldicen rueguen por lo que los

women in the heart of muhammad islamic renaissance series - Nov 06 2022

web compre women in the heart of muhammad islamic renaissance series english edition de shariati ali bakhtiar laleh na amazon com br confira también los ebooks más vendidos lanzamientos e libros digitales exclusivos

women in the heart of muhammad islamic renaissance - Feb 09 2023

web women in the heart of muhammad islamic renaissance 1 women in the heart of muhammad islamic renaissance downloaded from

iran s women a year after mahsa amini s death i wear what i - Feb 26 2022

web 1 day ago by caroline hawley bbc news a young woman walks down a street in tehran her hair uncovered her jeans ripped a bit of midriff exposed to the hot iranian sun an unmarried couple walk hand in

the great women of islam onepath network - Apr 30 2022

web jan 23 2022 here are some of the greatest muslim women in islamic history in more detail so who are these women and why are they so special 1 khadijah bint khuwaylid the messenger of allah ﷺ said the best of its women is khadijah bint khuwailid and the best of its women is mariam bint imran virgin mary al tirmidhi sahih khadijah was

women in the heart of muhammad islamic renaissance 2023 - Jul 14 2023

web within the pages of women in the heart of muhammad islamic renaissance a stunning literary value full of fresh feelings lies an immersive symphony waiting to be embraced crafted by a masterful composer of language that fascinating masterpiece conducts viewers on an emotional journey skillfully

women in the heart of muhammad islamic renaissance series - Mar 10 2023

web muhammad s death britannica free islamic books on women quran muhammad legacy of a prophet muhammad and women pbs 5 rights islam gave women before western feminism did the role of women in islam muslim women are muslim

muhammad and islam s sex slaves middle east forum

women in the heart of muhammad islamic renaissanc pdf - Mar 30 2022

web women in the heart of muhammad islamic renaissanc 2 18 downloaded from uniport edu ng on august 31 2023 by guest insight into not just the spiritual aspects of mecca the passion ecstasy and longing it evokes but also the conflict between heritage and modernity that has characterised its history he unpeels the physical

women in the heart of muhammad islamic renaissanc ali - Aug 15 2023

web this women in the heart of muhammad islamic renaissanc can be taken as competently as picked to act soft force ellen anne mclarney 2015 05 26 the unheralded contribution of women to egypt s islamist movement and how they talk about women s rights in islamic terms in the decades leading up to the arab spring in 2011 when hosni

women in the heart of muhammad islamic renaissanc book - May 12 2023

web women in the heart of muhammad islamic renaissanc in the heart of asia jan 07 2020 the heart may 03 2022 whisper in the heart dec 10 2022 whisper in the heart documents lively accounts from around the world of neem karoli baba a great indian saint appearing in visions and dreams to offer spiritual comfort and guidance

women in the heart of muhammad islamic renaissance series - Dec 07 2022

web women in the heart of muhammad islamic renaissance series english edition ebook shariati ali bakhtiar laleh amazon de kindle shop

iran women s rights movement endures on anniversary of mahsa - Jan 28 2022

web 1 day ago in iran women s resistance defies state clampdown a year after mahsa amini s death newspapers with a cover picture of mahsa amini a woman who died after being arrested by iran s morality police

women in the heart of muhammad islamic renaissanc pdf - Aug 03 2022

web apr 8 2023 we pay for women in the heart of muhammad islamic renaissanc and numerous book collections from fictions to scientific research in any way in the midst of them is this women in the heart of muhammad islamic renaissanc

women in the heart of muhammad islamic renaissanc john - Apr 11 2023

web muslim communities and a glossary of arabic terms related to islam governance of islam in pakistan sarah holz 2022 10 15 modern states increasingly seek to regulate religious expression practice and discourse this is profoundly evident at many levels of islamic policy interaction from debates about the banning of the muslim face veil in

women in islam all parts the religion of islam - Jun 01 2022

web jan 19 2009 the social legal and political aspect of women in islam the status of woman and gender equity in islam this website is for people of various faiths who seek to understand islam and muslims it contains a lot of brief yet informative articles about different aspects of islam

women in the heart of muhammad islamic renaissance series - Jun 13 2023

web oct 2 2012 women in the heart of muhammad islamic renaissance series kindle edition by shariati ali bakhtiar laleh religion spirituality kindle ebooks amazon com

the greatest women in islamic history beliefnet - Jul 02 2022

web the role of women in islam has been debated since the days of muhammad in the seventh century umma salama one of muhammad s wives is said to have asked muhammad why the quran did not speak

women in islam wikipedia - Sep 04 2022

web primary a fragment of sūrat an nisā a chapter of islam s sacred text entitled women featuring the persian arabic and kufic scripts islam views men and women as equal before god and the quran underlines that man and woman were created of a single soul 4 1 15 39 6 16 and elsewhere

women in the heart of muhammad islamic renaissance series - Jan 08 2023

web women in the heart of muhammad islamic renaissance series ebook shariati ali bakhtiar laleh amazon co uk kindle store

women in the heart of muhammad islamic renaissance series - Oct 05 2022

web women in the heart of muhammad islamic renaissance series english edition ebook shariati ali bakhtiar laleh amazon es tienda kindle

women in iran gender politics in the islamic republic - Dec 27 2021

web aug 30 2002 this book studies gender discourses in iran as the interplay of ideologies and socio historical conditions iranian gender and cultural politics have emerged through lively often brutally fierce battles over symbols meanings and practices battles involving islamist reformist and secular women activists