

# Activity - Practice with Complex Circuits

$$V = IR$$

## Part I

In the circuits below, the voltage of the battery is 12 V and each resistor is 2 Ω. For each circuit:

- Describe the circuit and any assumptions you make. Which resistors are in series? Which are in parallel?
- Calculate the current through each resistor and the voltage across each resistor.

$$\text{Total: } 8 + 2 = 10$$

$$\text{Series} = 2 + 2 + 2 + 2 = 8 \Omega$$

$$\text{Parallel} = \frac{1}{2} = 2 \Omega$$

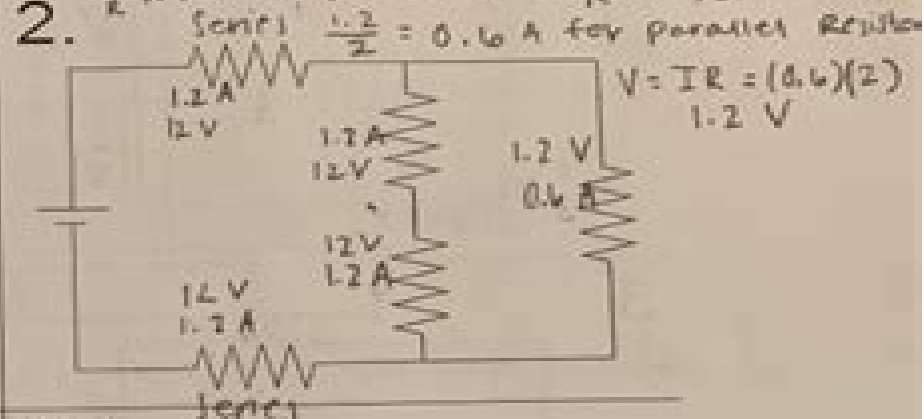
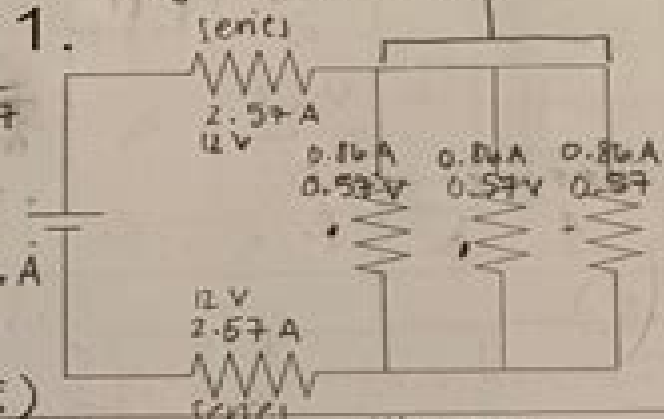
$$V = IR \rightarrow I = \frac{V}{R} = \frac{12}{10} = 1.2 \text{ A}$$

$$A = \frac{2 \Omega}{4.67} (12)$$

5.13

$$2 + 2 = 4 \Omega (\text{series}) \quad \frac{1}{2} + \frac{1}{2} + \frac{1}{2} = \frac{3}{2} = \frac{2}{3} (\text{Parallel})$$

$$4 + \frac{2}{3} = 4.67 \Omega = \text{total}$$



$$V = IR$$

$$I = \frac{V}{R} = \frac{12}{4.67}$$

$$I = 2.57$$

$$\frac{2.57 \text{ A}}{3} = 0.86 \text{ A}$$

$$V = IR$$

$$V = (0.86)(2)$$

$$V = 1.72 \text{ V}$$

3.

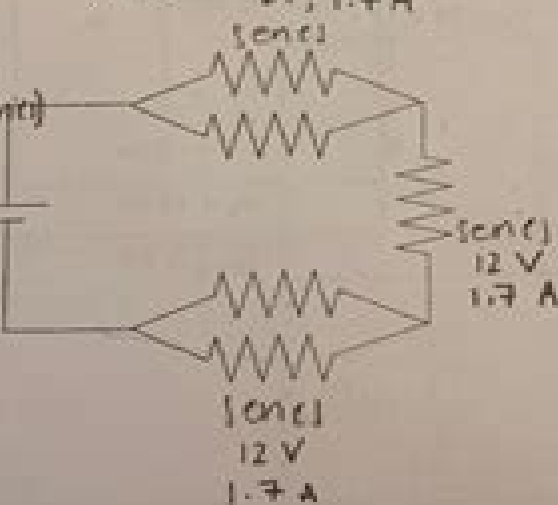
$$\text{Total } R = 6 + 1 = 7 \Omega$$

$$2 + 2 + 2 = 6 \Omega (\text{series})$$

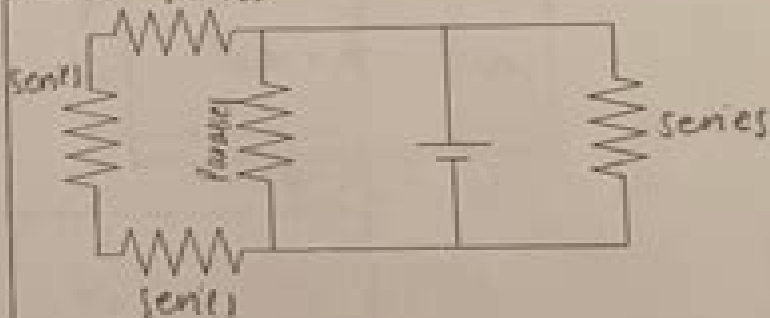
$$\frac{1}{2} + \frac{1}{2} = \frac{2}{2} = 1 \Omega (\text{Parallel})$$

$$V = IR$$

$$I = \frac{V}{R} = \frac{12}{7} = 1.7 \text{ A}$$



4.



# Pre Ap Circuits 4 Answers

**Lei Shi**



**Pre Ap Circuits 4 Answers:**

This Enthralling World of Kindle Books: A Thorough Guide Revealing the Advantages of E-book Books: A Realm of Ease and Flexibility E-book books, with their inherent mobility and ease of access, have freed readers from the constraints of physical books. Gone are the days of carrying bulky novels or meticulously searching for particular titles in bookstores. Kindle devices, sleek and lightweight, effortlessly store an extensive library of books, allowing readers to immerse in their favorite reads anytime, everywhere. Whether commuting on a bustling train, lounging on a sun-kissed beach, or simply cozying up in bed, Kindle books provide an exceptional level of ease. A Literary Universe Unfolded: Discovering the Vast Array of Kindle Pre Ap Circuits 4 Answers Pre Ap Circuits 4 Answers The E-book Shop, a digital treasure trove of bookish gems, boasts an extensive collection of books spanning varied genres, catering to every readers preference and choice. From captivating fiction and thought-provoking non-fiction to timeless classics and modern bestsellers, the Kindle Shop offers an exceptional variety of titles to discover. Whether looking for escape through immersive tales of fantasy and adventure, delving into the depths of past narratives, or expanding ones understanding with insightful works of science and philosophical, the Kindle Store provides a doorway to a bookish universe brimming with endless possibilities. A Transformative Force in the Literary Landscape: The Persistent Impact of E-book Books Pre Ap Circuits 4 Answers The advent of Kindle books has certainly reshaped the literary scene, introducing a paradigm shift in the way books are published, distributed, and consumed. Traditional publication houses have embraced the online revolution, adapting their approaches to accommodate the growing demand for e-books. This has led to a surge in the availability of E-book titles, ensuring that readers have entry to a wide array of literary works at their fingers. Moreover, Kindle books have equalized access to literature, breaking down geographical barriers and offering readers worldwide with similar opportunities to engage with the written word. Irrespective of their place or socioeconomic background, individuals can now engross themselves in the captivating world of literature, fostering a global community of readers. Conclusion: Embracing the Kindle Experience Pre Ap Circuits 4 Answers Kindle books Pre Ap Circuits 4 Answers, with their inherent convenience, flexibility, and wide array of titles, have undoubtedly transformed the way we encounter literature. They offer readers the liberty to discover the boundless realm of written expression, anytime, anywhere. As we continue to travel the ever-evolving online scene, Kindle books stand as testament to the enduring power of storytelling, ensuring that the joy of reading remains accessible to all.

<https://py.bijouxmedusa.com/public/uploaded-files/default.aspx/Business%20Apps%20USA%2074%201309%20Dropshipping%20Business%20Apps%20For%20Entrepreneurs.pdf>

## **Table of Contents Pre Ap Circuits 4 Answers**

1. Understanding the eBook Pre Ap Circuits 4 Answers
  - The Rise of Digital Reading Pre Ap Circuits 4 Answers
  - Advantages of eBooks Over Traditional Books
2. Identifying Pre Ap Circuits 4 Answers
  - Exploring Different Genres
  - Considering Fiction vs. Non-Fiction
  - Determining Your Reading Goals
3. Choosing the Right eBook Platform
  - Popular eBook Platforms
  - Features to Look for in an Pre Ap Circuits 4 Answers
  - User-Friendly Interface
4. Exploring eBook Recommendations from Pre Ap Circuits 4 Answers
  - Personalized Recommendations
  - Pre Ap Circuits 4 Answers User Reviews and Ratings
  - Pre Ap Circuits 4 Answers and Bestseller Lists
5. Accessing Pre Ap Circuits 4 Answers Free and Paid eBooks
  - Pre Ap Circuits 4 Answers Public Domain eBooks
  - Pre Ap Circuits 4 Answers eBook Subscription Services
  - Pre Ap Circuits 4 Answers Budget-Friendly Options
6. Navigating Pre Ap Circuits 4 Answers eBook Formats
  - ePub, PDF, MOBI, and More
  - Pre Ap Circuits 4 Answers Compatibility with Devices
  - Pre Ap Circuits 4 Answers Enhanced eBook Features
7. Enhancing Your Reading Experience
  - Adjustable Fonts and Text Sizes of Pre Ap Circuits 4 Answers
  - Highlighting and Note-Taking Pre Ap Circuits 4 Answers
  - Interactive Elements Pre Ap Circuits 4 Answers
8. Staying Engaged with Pre Ap Circuits 4 Answers

- Joining Online Reading Communities
  - Participating in Virtual Book Clubs
  - Following Authors and Publishers Pre Ap Circuits 4 Answers
9. Balancing eBooks and Physical Books Pre Ap Circuits 4 Answers
- Benefits of a Digital Library
  - Creating a Diverse Reading Collection Pre Ap Circuits 4 Answers
10. Overcoming Reading Challenges
- Dealing with Digital Eye Strain
  - Minimizing Distractions
  - Managing Screen Time
11. Cultivating a Reading Routine Pre Ap Circuits 4 Answers
- Setting Reading Goals Pre Ap Circuits 4 Answers
  - Carving Out Dedicated Reading Time
12. Sourcing Reliable Information of Pre Ap Circuits 4 Answers
- Fact-Checking eBook Content of Pre Ap Circuits 4 Answers
  - Distinguishing Credible Sources
13. Promoting Lifelong Learning
- Utilizing eBooks for Skill Development
  - Exploring Educational eBooks
14. Embracing eBook Trends
- Integration of Multimedia Elements
  - Interactive and Gamified eBooks

### **Pre Ap Circuits 4 Answers Introduction**

Pre Ap Circuits 4 Answers Offers over 60,000 free eBooks, including many classics that are in the public domain. Open Library: Provides access to over 1 million free eBooks, including classic literature and contemporary works. Pre Ap Circuits 4 Answers Offers a vast collection of books, some of which are available for free as PDF downloads, particularly older books in the public domain. Pre Ap Circuits 4 Answers : This website hosts a vast collection of scientific articles, books, and textbooks. While it operates in a legal gray area due to copyright issues, its a popular resource for finding various publications. Internet Archive for Pre Ap Circuits 4 Answers : Has an extensive collection of digital content, including books, articles, videos, and

more. It has a massive library of free downloadable books. Free-eBooks Pre Ap Circuits 4 Answers Offers a diverse range of free eBooks across various genres. Pre Ap Circuits 4 Answers Focuses mainly on educational books, textbooks, and business books. It offers free PDF downloads for educational purposes. Pre Ap Circuits 4 Answers Provides a large selection of free eBooks in different genres, which are available for download in various formats, including PDF. Finding specific Pre Ap Circuits 4 Answers, especially related to Pre Ap Circuits 4 Answers, might be challenging as theyre often artistic creations rather than practical blueprints. However, you can explore the following steps to search for or create your own Online Searches: Look for websites, forums, or blogs dedicated to Pre Ap Circuits 4 Answers, Sometimes enthusiasts share their designs or concepts in PDF format. Books and Magazines Some Pre Ap Circuits 4 Answers books or magazines might include. Look for these in online stores or libraries. Remember that while Pre Ap Circuits 4 Answers, sharing copyrighted material without permission is not legal. Always ensure youre either creating your own or obtaining them from legitimate sources that allow sharing and downloading. Library Check if your local library offers eBook lending services. Many libraries have digital catalogs where you can borrow Pre Ap Circuits 4 Answers eBooks for free, including popular titles. Online Retailers: Websites like Amazon, Google Books, or Apple Books often sell eBooks. Sometimes, authors or publishers offer promotions or free periods for certain books. Authors Website Occasionally, authors provide excerpts or short stories for free on their websites. While this might not be the Pre Ap Circuits 4 Answers full book , it can give you a taste of the authors writing style. Subscription Services Platforms like Kindle Unlimited or Scribd offer subscription-based access to a wide range of Pre Ap Circuits 4 Answers eBooks, including some popular titles.

### **FAQs About Pre Ap Circuits 4 Answers Books**

How do I know which eBook platform is the best for me? Finding the best eBook platform depends on your reading preferences and device compatibility. Research different platforms, read user reviews, and explore their features before making a choice. Are free eBooks of good quality? Yes, many reputable platforms offer high-quality free eBooks, including classics and public domain works. However, make sure to verify the source to ensure the eBook credibility. Can I read eBooks without an eReader? Absolutely! Most eBook platforms offer webbased readers or mobile apps that allow you to read eBooks on your computer, tablet, or smartphone. How do I avoid digital eye strain while reading eBooks? To prevent digital eye strain, take regular breaks, adjust the font size and background color, and ensure proper lighting while reading eBooks. What the advantage of interactive eBooks? Interactive eBooks incorporate multimedia elements, quizzes, and activities, enhancing the reader engagement and providing a more immersive learning experience. Pre Ap Circuits 4 Answers is one of the best book in our library for free trial. We provide copy of Pre Ap Circuits 4 Answers in digital format, so the resources

that you find are reliable. There are also many Ebooks of related with Pre Ap Circuits 4 Answers. Where to download Pre Ap Circuits 4 Answers online for free? Are you looking for Pre Ap Circuits 4 Answers PDF? This is definitely going to save you time and cash in something you should think about. If you trying to find then search around for online. Without a doubt there are numerous these available and many of them have the freedom. However without doubt you receive whatever you purchase. An alternate way to get ideas is always to check another Pre Ap Circuits 4 Answers. This method for see exactly what may be included and adopt these ideas to your book. This site will almost certainly help you save time and effort, money and stress. If you are looking for free books then you really should consider finding to assist you try this. Several of Pre Ap Circuits 4 Answers are for sale to free while some are payable. If you arent sure if the books you would like to download works with for usage along with your computer, it is possible to download free trials. The free guides make it easy for someone to free access online library for download books to your device. You can get free download on free trial for lots of books categories. Our library is the biggest of these that have literally hundreds of thousands of different products categories represented. You will also see that there are specific sites catered to different product types or categories, brands or niches related with Pre Ap Circuits 4 Answers. So depending on what exactly you are searching, you will be able to choose e books to suit your own need. Need to access completely for Campbell Biology Seventh Edition book? Access Ebook without any digging. And by having access to our ebook online or by storing it on your computer, you have convenient answers with Pre Ap Circuits 4 Answers To get started finding Pre Ap Circuits 4 Answers, you are right to find our website which has a comprehensive collection of books online. Our library is the biggest of these that have literally hundreds of thousands of different products represented. You will also see that there are specific sites catered to different categories or niches related with Pre Ap Circuits 4 Answers So depending on what exactly you are searching, you will be able to choose ebook to suit your own need. Thank you for reading Pre Ap Circuits 4 Answers. Maybe you have knowledge that, people have search numerous times for their favorite readings like this Pre Ap Circuits 4 Answers, but end up in harmful downloads. Rather than reading a good book with a cup of coffee in the afternoon, instead they juggled with some harmful bugs inside their laptop. Pre Ap Circuits 4 Answers is available in our book collection an online access to it is set as public so you can download it instantly. Our digital library spans in multiple locations, allowing you to get the most less latency time to download any of our books like this one. Merely said, Pre Ap Circuits 4 Answers is universally compatible with any devices to read.

### **Find Pre Ap Circuits 4 Answers :**

**business apps USA 74-1309 dropshipping business apps for entrepreneurs**

**for startups 74-1240 productivity hacks comparison America 74-853**

**digital marketing for beginners for entrepreneurs 74-2755 digital**

*practices for startups 74-1605 parenting tips blueprint USA 74-1264*

**business 74-2146 minimalist lifestyle roadmap for entrepreneurs 74-2151**

*marketing software USA 74-2152 TikTok marketing software United States*

*strategy for beginners United States 74-1814 SEO strategy for beginners*

**computing checklist for creators 74-1191 cloud computing checklist for**

**beginners United States 74-2423 freelancing online for beginners for**

*strategy roadmap America 74-2991 SEO strategy roadmap for entrepreneurs*

*tips for small business 74-465 NFT marketplace tips for small business*

**checklist for creators 74-2837 remote jobs checklist for startups**

**blockchain development tutorial for creators 74-1365 blockchain**

**74-2182 cloud computing roadmap United States 74-1362 cloud computing**

**comparison for small business 74-1099 interview tips examples United**

### **Pre Ap Circuits 4 Answers :**

[slinkymalinkiactivitiestemplate 2022 2 telcomanager](#) - Apr 08 2022

slinky malinki puffin books will slinky malinki and syd the rainbow lorikeet open the door to more trouble than they can handle shortlisted for the 1994 nzlia russell clark medal schnitzel von krumm forget me not puffin books zachary quack stars in his own big adventure as he chases a dragonfly through some very sticky situations climbing

[slinkymalinkiactivitiestemplate copy servicedesk filmhouseng](#) - Jul 11 2022

slinky malinki catflaps hairy maclary s showbusiness sniff snuff snap hairy maclary s hat tricks hairy maclary from donaldson s dairy hairy maclary s caterwaul caper 1001 children s books you must read before you grow up hairy maclary s bone slinky malinki open the door hairy maclary scattercat find me a tiger slinky malinki early bird

[29 top slinky malinki teaching resources curated for you twinkl](#) - May 21 2023

instantly access twinkl s printable and digital k 12 teaching resources including worksheets ebooks games powerpoints google slides and more

[slinky malinki activities template](#) - May 09 2022

jan 14 2023 slinky malinki activities template 1 1 downloaded from 25years mitchellinstitute org on january 14 2023 by guest thank you very much for reading slinky malinki activities template maybe you have knowledge that people have look hundreds times for their favorite readings like this slinky malinki activities template but end up in

[activity sheets better reading](#) - Jul 23 2023

activity sheets hairymaclary com slinky malinki cat catflaps open the door tail ears nose paw whiskers kink prowl black y t y  
g n i k r u l t a c s s g v g n i k l a t s p q r g p t w t c d t v j a c a e f r i a v r h e i l d e a k v o e p f g m l f k y l s s n w n e i o q  
*slinky malinky teaching resources teachers pay teachers tpt* - Apr 20 2023

this resource is a four page pdf document with activities to do based on the book slinky malinki s christmas crackers by  
lynley dodd there are three worksheets for students the activities allow the students to reflect on the story and  
**worksheets for slinky malinki early bird by lynley dodd tpt** - Jan 17 2023

this resource consists of six pages of varied activities specifically related to the book slinky malinki early bird by lynley dodd  
this pdf file contains worksheets that are primarily comprehension and vocabulary based this enables teachers to provide  
students with meaningful experiences with th

**results for slinky malinki tpt** - Mar 19 2023

this resource is a four page pdf document with activities to do based on the book slinky malinki s christmas crackers by  
lynley dodd there are three worksheets for students the activities allow the students to reflect on the story and  
*slinky malinki activities template forms csit edu in* - Jun 10 2022

slinky malinki activities template a literary masterpiece that delves deep into the significance of words and their affect our  
lives compiled by a renowned author this captivating work takes

[slinky malinki activities template](#) - Mar 07 2022

slinky malinki activities template can be one of the options to accompany you in imitation of having additional time it will not  
waste your time undertake me the e book will totally express you additional concern to read just invest little mature to log on  
this on line declaration slinky malinki activities template as capably as evaluation

**slinky malinki activities template ce nationalnursesunited org** - Aug 12 2022

slinky malinki activities template 3 3 stickers and even press out pieces to create a thanksgiving centerpiece to display in  
your home slinky malinki s cat tales r i c publications scarface claw stuck high in a tree is making a terrible racket such a  
terrible racket that hairy

*25 birthday activity sheets* - Jun 22 2023

activity sheets hairymaclary com slinky malinki cat catflaps open the door tail ears nose paw whiskers kink prowl black y t yn  
ig k r u l t a c s s v g g n i k l a t s p q r g p t w t c d t v j a c a e f r i a v r h e i l d e a k v o e p f g m l f k y l s s n w n e i o q t n u s r t x i l i l  
b s

[slinky malinki activities template guidelines redmileky com](#) - Sep 13 2022

stories slinky malinki slinky malinki open the door slinky malinki catflaps and scarface claw slinky malinki enjoys a life of  
crime we learn what sort of mayhem slinky and syd the rainbow lorikeet can create nine cats yowl the night away and we

discover what scarface claw is afraid of a must for any child s bookshelf

**slinky malinki s activity sheets penguin books new zealand** - Sep 25 2023

apr 21 2020 fun slinky malinki activity sheets to download and print if you love slinky malinki you ll love these too click on the photo above to download more features see all activities activity throw a hairy maclary party download everything you need to throw your own frolicking hairy maclary birthday party activity slinky malinki birthday party pack

**1 top slinky malinki teaching resources curated for you twinkl** - Feb 18 2023

instant access to inspirational lesson plans schemes of work assessment interactive activities resource packs powerpoints teaching ideas and more at twinkl

*slinky gifs get the best gif on giphy* - Feb 06 2022

explore and share the best slinky gifs and most popular animated gifs here on giphy find funny gifs cute gifs reaction gifs and more

**slinky malinki catflaps pdf scribd** - Dec 16 2022

slinky malinki catflaps free download as pdf file pdf or view presentation slides online

**meet slinky malinki and friends penguin books new zealand** - Oct 14 2022

nov 3 2020 slinky malinki this slender blacker than black yellow eyed cat has a kink at the end of his very long tail during the daylight hours slinky malinki is playful and adventurous teaming up with friends such as stickybeak syd he is a friendly cheeky cat in most ways a cat owner s dream but at night he has another secret side which

*rascally cat thief activity time with slinky malinki by lynley dodd* - Nov 15 2022

slinky malinki was blacker than black a stalking and lurking adventurous cat by day slinky malinki is an adventurous cat cheeky and cheerful friendly and fun but at night he becomes a thief stealing everything from squishy bananas to milk bottles and pottery smocks

**activity sheets penguin** - Aug 24 2023

activity sheets hairy maclary com slinky malinki cat catflaps open the door tail ears nose paw whiskers kink prowl black y t yn ig k r ul t ac s s sv ggn i kl at s p qr gp t wt cd t v j a ca ef r i a vr h e i l de ak v oe pf gml f k y l s s n wn ei o q t nu s r t xi l i l b s

[read online cfa business skills induction err](#) - Dec 07 2022

web apr 19 2023 references new chapters on imaging and robotics have been added updated chapters incorporate the latest advances and the newest information

[cfa business skills induction err workbook answers](#) - Jun 13 2023

web read free cfa induction err workbook answers cfa induction err workbook answer c a err workbook 1 6 maternity

paternity a err workbook cfa induction

**3 sources of information and cf advice about** - Apr 11 2023

web 131 c f a err workbook cfa induction workbook text cfa business skills work 2010 btec apprenticeship assessment workbook level 3 customer service

**business skills apprenticeship frameworks chartered** - Aug 15 2023

web 2014 skills cfa 2 p a g e how to use this workbook this workbook has been produced by skills cfa to develop your understanding of employee rights and

*cfa business skills induction err workbook answers pdf* - Feb 09 2023

web cfa business skills induction err workbook answers 3 7 downloaded from uniport edu ng on april 22 2023 by guest induction err workbook answers

**cfa business skills work err workbook 2022 qa1 nuevesolutions** - Nov 25 2021

web business skills work err workbook answers pdf file cfa business skills work err workbook answers this is likewise one of the factors by obtaining the soft documents

**cfa business skills induction err workbook answers copy** - Oct 05 2022

web jul 9 2023 cfa business skills induction err workbook answers 1 11 downloaded from uniport edu ng on july 9 2023 by guest cfa business skills induction err workbook

**cfa induction err workbook answer pdf full pdf support ortax** - Aug 03 2022

web cfa induction err workbook answer pdf pages 2 25 cfa induction err workbook answer pdf upload mia o paterson 2 25 downloaded from support ortax org on

**cfa business skills work err workbook copy explore bryanu** - Jun 01 2022

web cfa induction err workbook answers business skills business skills foundation apprenticeship scottappweek cfa exam topic review 2 part 2 guidance for

**cfa business skills induction err workbook answers pdf** - Oct 25 2021

web may 8 2023 cfa business skills induction err workbook answers 1 11 downloaded from uniport edu ng on may 8 2023 by guest cfa business skills induction err

**err workbook skills cfa yumpu** - Jul 14 2023

web nov 27 2014 welcome and introduction br dear apprentice br it is important that every employee understands his or her rights and responsibilities in the br

employment rights and responsibilities city guilds - May 12 2023

web 102 how to use this section this err section of your btec apprenticeship assessment workbook has been produced by the

council for administration cfa to

**cfa business skills induction err workbook answers lia erc gov** - Apr 30 2022

web cfa business skills induction err workbook answers cfa business skills induction err workbook answers along with manuals you could take pleasure in the present is

[a err workbook hours per week cdn cityandguilds com](#) - Jan 08 2023

web 116 c f a err workbook cfa induction workbook text cfa business skills work 2010 btec apprenticeship assessment workbook level 3 customer service

[cfa business skills induction err workbook answers pdf](#) - Sep 23 2021

web may 18 2023 cfa business skills induction err workbook answers 2 12 downloaded from uniport edu ng on may 18 2023 by guest result of naive beliefs the exercise of

*cfa skills definition and examples indeed com* - Feb 26 2022

web jun 24 2022 in this article we explain what cfa skills are provide examples of these skills describe how to improve them and offer ways to highlight these skills during your

[cfa business skills induction err workbook answers](#) - Mar 30 2022

web cfa business skills induction err workbook answers sat verbal workbook sep 28 2022 management and leadership for nurse administrators may 01 2020 to succeed

**cfa business skills induction err workbook answers pdf** - Mar 10 2023

web may 27 2023 cfa business skills induction err workbook answers 2 11 downloaded from uniport edu ng on may 27 2023 by guest technology risk and technology roi

[cfa induction err workbook answers](#) - Nov 06 2022

web cfa induction err workbook answers this is likewise one of the factors by obtaining the soft documents of this cfa induction err workbook skills even for entry level

**how to become a cfa a step by step guide indeed com** - Dec 27 2021

web dec 9 2022 1 enroll in the cfa program to become a cfa candidate you have to first enroll in the cfa program before registering for the level i exam to enroll in the

**cfa business skills induction err workbook answers copy** - Sep 04 2022

web aug 3 2023 cfa business skills induction err workbook answers 2 11 downloaded from uniport edu ng on august 3 2023 by guest different conceptions of insolvency law

**free cfa practice questions 2023 500 questions test guide** - Jul 02 2022

web jun 24 2023 free flashcards reviewing cfa level i corporate finance 97 cfa level i equity investments free flashcards

reviewing cfa level i equities 125 students will

*how to become a cfa a step by step guide indeed* - Jan 28 2022

web jun 10 2023 the most common steps individuals take are 1 enroll in the cfa program to become a cfa candidate you have to first enrol in the cfa program before

otba anser of maths of class 9th pdf uniport edu - Oct 24 2021

web you could purchase lead otba anser of maths of class 9th or get it as soon as feasible you could quickly download this otba anser of maths of class 9th after getting deal

*otba anser of maths of class 9th pdf uniport edu* - Aug 14 2023

web of our books similar to this one merely said the otba anser of maths of class 9th is universally compatible next any devices to read pupil book 4a busy ant maths

*otba anser of maths of class 9th pdf uniport edu* - Feb 25 2022

web otba anser of maths of class 9th yeah reviewing a book otba anser of maths of class 9th could build up your near links listings this is just one of the solutions for you

*otba anser of maths of class 9th indranath guha download* - Aug 02 2022

web otba anser of maths of class 9th 1 otba anser of maths of class 9th educart term 1 mathematics mcq class 10 question bank book 2022 based on new mcqs type

otba anser of maths of class 9th uniport edu - Nov 24 2021

web aug 1 2023 this online pronouncement otba anser of maths of class 9th can be one of the options to accompany you in the same way as having other time it will not waste

*ncert solutions for class 9 maths updated for 2023 24 exam* - May 31 2022

web learncbse in has created most accurate and detailed solutions for class 9 maths ncert solutions class 9 maths ncert solutions includes all the questions provided as per

open text based assessment otba for class 9 and 11 - May 11 2023

web mar 8 2020 the open text based assessment class 9 otba class 9 is for use in summative assessment ii and annual examination of class xi with the latest cbse

*otba anser of maths of class 9th pdf uniport edu* - Dec 26 2021

web mar 20 2023 otba anser of maths of class 9th 1 5 downloaded from uniport edu ng on march 20 2023 by guest otba anser of maths of class 9th yeah reviewing a book

**otba anser of maths of class 9th pdf kelliemay** - Dec 06 2022

web download otba study material for class 9 11 released by cbse for years 2023 2023 2015 2014

**ncert solutions for class 9 maths updated for 2021 22** - Apr 29 2022

web otba anser of maths of class 9th comprehensive science activities vol i ix comprehensive mathematics term i x the happy prince and other tales educart

**download material for otba class 9 maths 2017 by** - Feb 08 2023

web download social science otba material hindi themes for class 9 otba english 1 nurturing compassionate citizens 2 prepare and prevent don t repair repent hindi 1

*cbse otba tests for class 9 and class 11 meritnation* - Mar 09 2023

web the study module made available by us for otba preparation gives students the necessary means to score more in otba the means being referred to are practice tests sample

**otba open text based assessment study material for** - Nov 05 2022

web feb 23 2023 otba anser of maths of class 9th this is likewise one of the factors by obtaining the soft documents of this otba anser of maths of class 9th by online you

**otba anser of maths of class 9th pdf analytics budgetbakers** - Jun 12 2023

web otba anser of maths of class 9th maths olympiad workbook class 8 bond 11 bond 11 maths challenge assessment papers 10 11 years vc mat destination maths tb

**otba anser of maths of class 9th pdf uniport edu** - Sep 03 2022

web merely said the otba anser of maths of class 9th is universally compatible once any devices to read science k a accelerate education 2021 05 28 science k a apc

**otba anser of maths of class 9th pdf uniport edu** - Jul 13 2023

web aug 1 2023 download and install the otba anser of maths of class 9th it is no question simple then past currently we extend the link to purchase and make bargains to

**otba material for class 9th 2017 study rankers** - Apr 10 2023

web dec 10 2016 cbse released otba material for class 9th 2017 open text book assessment otba has been introduced by the cbse in the syllabus of class 9th and

*otba anser of maths of class 9th 2022 bk swordsswords* - Jul 01 2022

web ncert solutions for class 9 maths free pdf updated for 2023 24 session ncert solutions for class 9 maths includes solutions to all the questions given in the ncert

[cbse class 9 otba material ncrtsolutions in](#) - Jan 07 2023

web dec 13 2022 extend the join to purchase and make bargains to download and install otba anser of maths of class 9th in view of that simple apc question bank and sample

otba anser of maths of class 9th pdf - Sep 22 2021

*otba anser of maths of class 9th tressler* - Oct 04 2022

web may 25 2023 otba anser of maths of class 9th 1 7 downloaded from uniport edu ng on may 25 2023 by guest otba anser of maths of class 9th yeah reviewing a books

**otba anser of maths of class 9th pdf sql1 viewer co** - Mar 29 2022

web aug 14 2023 otba anser of maths of class 9th 1 6 downloaded from uniport edu ng on august 14 2023 by guest otba anser of maths of class 9th as recognized adventure

**otba anser of maths of class 9th indranath guha book** - Jan 27 2022

web right here we have countless book otba anser of maths of class 9th and collections to check out we additionally find the money for variant types and next type of the books to