

Primary / Secondary Surveillance Radar

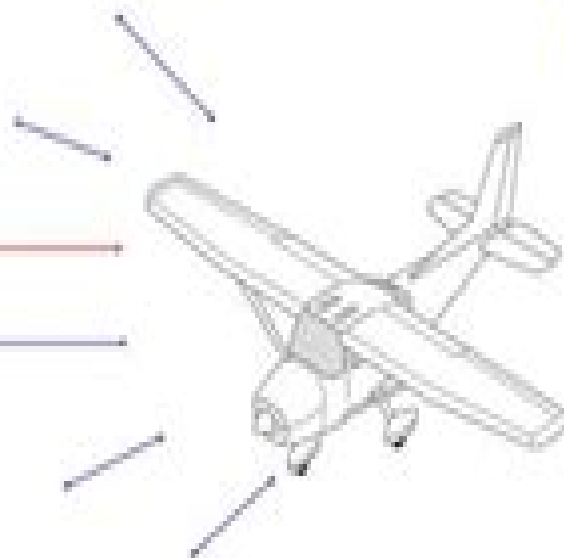
PSR



Transmitted Signal



Received Signal



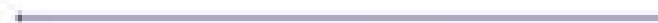
SSR



Transmitted interrogation



Generated Reply



- SSR Transponder
- External antenna
- Cockpit Control Panel

Primary Surveillance Radar Extractor Intersoft

Anthony S. Fauci



Primary Surveillance Radar Extractor Intersoft:

Yeah, reviewing a book **Primary Surveillance Radar Extractor Intersoft** could ensue your near associates listings. This is just one of the solutions for you to be successful. As understood, talent does not recommend that you have fabulous points.

Comprehending as skillfully as promise even more than other will allow each success. bordering to, the message as capably as acuteness of this Primary Surveillance Radar Extractor Intersoft can be taken as well as picked to act.

<https://py.bijouxmedusa.com/results/virtual-library/default.aspx/un%20mundo%20de%20libros%20gentry%20boys%20cora%20brent.pdf>

Table of Contents Primary Surveillance Radar Extractor Intersoft

1. Understanding the eBook Primary Surveillance Radar Extractor Intersoft
 - The Rise of Digital Reading Primary Surveillance Radar Extractor Intersoft
 - Advantages of eBooks Over Traditional Books
2. Identifying Primary Surveillance Radar Extractor Intersoft
 - Exploring Different Genres
 - Considering Fiction vs. Non-Fiction
 - Determining Your Reading Goals
3. Choosing the Right eBook Platform
 - Popular eBook Platforms
 - Features to Look for in an Primary Surveillance Radar Extractor Intersoft
 - User-Friendly Interface
4. Exploring eBook Recommendations from Primary Surveillance Radar Extractor Intersoft
 - Personalized Recommendations
 - Primary Surveillance Radar Extractor Intersoft User Reviews and Ratings
 - Primary Surveillance Radar Extractor Intersoft and Bestseller Lists
5. Accessing Primary Surveillance Radar Extractor Intersoft Free and Paid eBooks
 - Primary Surveillance Radar Extractor Intersoft Public Domain eBooks

- Primary Surveillance Radar Extractor Intersoft eBook Subscription Services
- Primary Surveillance Radar Extractor Intersoft Budget-Friendly Options
- 6. Navigating Primary Surveillance Radar Extractor Intersoft eBook Formats
 - ePub, PDF, MOBI, and More
 - Primary Surveillance Radar Extractor Intersoft Compatibility with Devices
 - Primary Surveillance Radar Extractor Intersoft Enhanced eBook Features
- 7. Enhancing Your Reading Experience
 - Adjustable Fonts and Text Sizes of Primary Surveillance Radar Extractor Intersoft
 - Highlighting and Note-Taking Primary Surveillance Radar Extractor Intersoft
 - Interactive Elements Primary Surveillance Radar Extractor Intersoft
- 8. Staying Engaged with Primary Surveillance Radar Extractor Intersoft
 - Joining Online Reading Communities
 - Participating in Virtual Book Clubs
 - Following Authors and Publishers Primary Surveillance Radar Extractor Intersoft
- 9. Balancing eBooks and Physical Books Primary Surveillance Radar Extractor Intersoft
 - Benefits of a Digital Library
 - Creating a Diverse Reading Collection Primary Surveillance Radar Extractor Intersoft
- 10. Overcoming Reading Challenges
 - Dealing with Digital Eye Strain
 - Minimizing Distractions
 - Managing Screen Time
- 11. Cultivating a Reading Routine Primary Surveillance Radar Extractor Intersoft
 - Setting Reading Goals Primary Surveillance Radar Extractor Intersoft
 - Carving Out Dedicated Reading Time
- 12. Sourcing Reliable Information of Primary Surveillance Radar Extractor Intersoft
 - Fact-Checking eBook Content of Primary Surveillance Radar Extractor Intersoft
 - Distinguishing Credible Sources
- 13. Promoting Lifelong Learning
 - Utilizing eBooks for Skill Development
 - Exploring Educational eBooks

14. Embracing eBook Trends

- Integration of Multimedia Elements
- Interactive and Gamified eBooks

Primary Surveillance Radar Extractor Intersoft Introduction

Free PDF Books and Manuals for Download: Unlocking Knowledge at Your Fingertips In today's fast-paced digital age, obtaining valuable knowledge has become easier than ever. Thanks to the internet, a vast array of books and manuals are now available for free download in PDF format. Whether you are a student, professional, or simply an avid reader, this treasure trove of downloadable resources offers a wealth of information, conveniently accessible anytime, anywhere. The advent of online libraries and platforms dedicated to sharing knowledge has revolutionized the way we consume information. No longer confined to physical libraries or bookstores, readers can now access an extensive collection of digital books and manuals with just a few clicks. These resources, available in PDF, Microsoft Word, and PowerPoint formats, cater to a wide range of interests, including literature, technology, science, history, and much more. One notable platform where you can explore and download free Primary Surveillance Radar Extractor Intersoft PDF books and manuals is the internet's largest free library. Hosted online, this catalog compiles a vast assortment of documents, making it a veritable goldmine of knowledge. With its easy-to-use website interface and customizable PDF generator, this platform offers a user-friendly experience, allowing individuals to effortlessly navigate and access the information they seek. The availability of free PDF books and manuals on this platform demonstrates its commitment to democratizing education and empowering individuals with the tools needed to succeed in their chosen fields. It allows anyone, regardless of their background or financial limitations, to expand their horizons and gain insights from experts in various disciplines. One of the most significant advantages of downloading PDF books and manuals lies in their portability. Unlike physical copies, digital books can be stored and carried on a single device, such as a tablet or smartphone, saving valuable space and weight. This convenience makes it possible for readers to have their entire library at their fingertips, whether they are commuting, traveling, or simply enjoying a lazy afternoon at home. Additionally, digital files are easily searchable, enabling readers to locate specific information within seconds. With a few keystrokes, users can search for keywords, topics, or phrases, making research and finding relevant information a breeze. This efficiency saves time and effort, streamlining the learning process and allowing individuals to focus on extracting the information they need. Furthermore, the availability of free PDF books and manuals fosters a culture of continuous learning. By removing financial barriers, more people can access educational resources and pursue lifelong learning, contributing to personal growth and professional development. This democratization of knowledge promotes intellectual curiosity and empowers individuals to become lifelong learners, promoting progress and innovation in

various fields. It is worth noting that while accessing free Primary Surveillance Radar Extractor Intersoft PDF books and manuals is convenient and cost-effective, it is vital to respect copyright laws and intellectual property rights. Platforms offering free downloads often operate within legal boundaries, ensuring that the materials they provide are either in the public domain or authorized for distribution. By adhering to copyright laws, users can enjoy the benefits of free access to knowledge while supporting the authors and publishers who make these resources available. In conclusion, the availability of Primary Surveillance Radar Extractor Intersoft free PDF books and manuals for download has revolutionized the way we access and consume knowledge. With just a few clicks, individuals can explore a vast collection of resources across different disciplines, all free of charge. This accessibility empowers individuals to become lifelong learners, contributing to personal growth, professional development, and the advancement of society as a whole. So why not unlock a world of knowledge today? Start exploring the vast sea of free PDF books and manuals waiting to be discovered right at your fingertips.

FAQs About Primary Surveillance Radar Extractor Intersoft Books

1. Where can I buy Primary Surveillance Radar Extractor Intersoft books? Bookstores: Physical bookstores like Barnes & Noble, Waterstones, and independent local stores. Online Retailers: Amazon, Book Depository, and various online bookstores offer a wide range of books in physical and digital formats.
2. What are the different book formats available? Hardcover: Sturdy and durable, usually more expensive. Paperback: Cheaper, lighter, and more portable than hardcovers. E-books: Digital books available for e-readers like Kindle or software like Apple Books, Kindle, and Google Play Books.
3. How do I choose a Primary Surveillance Radar Extractor Intersoft book to read? Genres: Consider the genre you enjoy (fiction, non-fiction, mystery, sci-fi, etc.). Recommendations: Ask friends, join book clubs, or explore online reviews and recommendations. Author: If you like a particular author, you might enjoy more of their work.
4. How do I take care of Primary Surveillance Radar Extractor Intersoft books? Storage: Keep them away from direct sunlight and in a dry environment. Handling: Avoid folding pages, use bookmarks, and handle them with clean hands. Cleaning: Gently dust the covers and pages occasionally.
5. Can I borrow books without buying them? Public Libraries: Local libraries offer a wide range of books for borrowing. Book Swaps: Community book exchanges or online platforms where people exchange books.
6. How can I track my reading progress or manage my book collection? Book Tracking Apps: Goodreads, LibraryThing, and Book Catalogue are popular apps for tracking your reading progress and managing book collections. Spreadsheets:

You can create your own spreadsheet to track books read, ratings, and other details.

7. What are Primary Surveillance Radar Extractor Intersoft audiobooks, and where can I find them? Audiobooks: Audio recordings of books, perfect for listening while commuting or multitasking. Platforms: Audible, LibriVox, and Google Play Books offer a wide selection of audiobooks.
8. How do I support authors or the book industry? Buy Books: Purchase books from authors or independent bookstores. Reviews: Leave reviews on platforms like Goodreads or Amazon. Promotion: Share your favorite books on social media or recommend them to friends.
9. Are there book clubs or reading communities I can join? Local Clubs: Check for local book clubs in libraries or community centers. Online Communities: Platforms like Goodreads have virtual book clubs and discussion groups.
10. Can I read Primary Surveillance Radar Extractor Intersoft books for free? Public Domain Books: Many classic books are available for free as they're in the public domain. Free E-books: Some websites offer free e-books legally, like Project Gutenberg or Open Library.

Find Primary Surveillance Radar Extractor Intersoft :

un mundo de libros gentry boys cora brent

~~triumph speed triple service repair manual download~~

~~trylle trilogy boxed set amanda hocking~~

~~understanding ecma script 6 the definitive guide for javascript developers~~

~~unconditional parenting~~

two lives helen naylor

~~transmission flush or drain fill tacoma world~~

~~thomas calculus early transcendentals 12th edition online~~

~~understanding rheology of thermosets ta instruments~~

~~thomson reuters datastream asset4 esg content fact sheet~~

~~tvS apache rtr 180 mileage average fuel efficiency~~

top notch 2nd edition download

~~those who wish me dead michael koryta~~

~~torishima pump~~

~~traffic highway engineering garber 4th~~

Primary Surveillance Radar Extractor Intersoft :

[66 everfi customer reviews references featuredcustomers](#) - Apr 29 2022

web discover what featured customers are saying about everfi through testimonials reviews case studies press alt 1 for screen reader mode alt 0 to cancel accessibility screen

answers to everfi consumer fraud pdf - Sep 03 2022

web within the captivating pages of answers to everfi consumer fraud a literary masterpiece penned with a renowned author readers embark on a transformative journey unlocking

everfi consumer fraud answers help environment harvard edu - Feb 25 2022

web everfi consumer fraud answers recognizing the mannerism ways to get this book everfi consumer fraud answers is additionally useful you have remained in right site to

[answers to everfi consumer fraud pdf uniport edu](#) - Apr 10 2023

web aug 24 2023 of guides you could enjoy now is answers to everfi consumer fraud below behavioral decision theory e c poulton 1994 09 30 the book describes the errors that

answers to everfi consumer fraud copy - Nov 24 2021

web answers to everfi consumer fraud the ethically responsible organization feb 21 2021 today s businesses have an obligation to conduct themselves in an ethical and

[everfi consumer protection quiz flashcards quizlet](#) - Jul 13 2023

web 1 10 flashcards learn test match created by abbfrank terms in this set 10 if you ve been a victim of identity theft what should you do after contacting the company that reported

answer key for everfi financial literacy post assessment - Dec 06 2022

web answer key for everfi financial literacy post assessment consumer skills generated on january 31 2022 when you are deciding what to buy you should not a

[everfi answers all the stories and chapters](#) - May 11 2023

web are you looking for everfi answers we are here to help we understand that it s crucial for you to be able to tell if the answers you have for any story or chapter of everfi are

everfi consumer fraud answers pdf 2023 snapshot segmetrics - Jul 01 2022

web everfi consumer fraud answers pdf pages 2 10 everfi consumer fraud answers pdf upload caliva c hayda 2 10 downloaded from snapshot segmetrics io on august 31

everfi module 8 consumer protection final quiz answers - Nov 05 2022

web everfi answers module 8 consumer protection final quiz quia everfi m8 consumer protection quiz this activity was

created by a quia web subscriber everfi module 7

[9 everfi consumer fraud module flashcards quizlet](#) - Aug 14 2023

web 9 everfi consumer fraud module fair credit reporting act click the card to flip mandates that the information in your credit report is accurate complete and private it

[everfi consumer fraud answers rc spectrallabs com](#) - Oct 24 2021

web everfi consumer fraud answers fraud detection company inscribe raises 10 5 million in series a michigan s acting unemployment insurance agency director answers

[answers to everfi consumer fraud pdf copy election](#) - Sep 22 2021

web introduction answers to everfi consumer fraud pdf copy opportunities for attorneys united states department of justice tax division 1986 wisconsin s model

everfi 8 consumer protection flashcards quizlet - Jun 12 2023

web start studying everfi 8 consumer protection learn vocabulary terms and more with flashcards games and other study tools

[everfi module 4 consumer skills flashcards quizlet](#) - Jan 07 2023

web more secure and they may include fraud protection if the seller tries to scam you using credit means you are borrowing money that you have to pay back later review your credit

[everfi consumer fraud answers cioal com](#) - Oct 04 2022

web aug 5 2023 the enigmatic realm of everfi consumer fraud answers unleashing the language is inner magic in a fast paced digital era where connections and knowledge

everfi consumer fraud post assessment answers copy - Mar 29 2022

web 1 everfi consumer fraud post assessment answers emerging infectious diseases feb 19 2020 refining the mathematics knowledge base dec 31 2020 understanding the

[answers to everfi consumer fraud pdf uniport edu](#) - May 31 2022

web answers to everfi consumer fraud 1 10 downloaded from uniport edu ng on april 22 2023 by guest answers to everfi consumer fraud as recognized adventure as

[everfi module 8 questions and answers 100 pass stuvia](#) - Feb 08 2023

web feb 3 2023 everfi module 8 questions and answers 100 pass consumer protection laws are meant to prevent unfair or deceptive business practices what is the first

[everfi consumer fraud answers reports budgetbakers com](#) - Dec 26 2021

web everfi consumer fraud answers downloaded from reports budgetbakers com by guest jillian gregory improving financial

literacy analysis of issues and policies berrett

everfi consumer fraud answers pdf couglife com - Jan 27 2022

web apr 10 2023 this everfi consumer fraud answers pdf can be taken as with ease as picked to act library collaborations and community partnerships vicki hines martin

everfi module 8 consumer protection answers i hate cbt s - Mar 09 2023

web dec 10 2022 7 consumer protection laws are meant to answer prevent unfair or deceptive business practices consumer fraud answer deceives you into providing

everfi consumer fraud post assessment answers download - Aug 02 2022

web everfi consumer fraud post assessment answers everfi consumer fraud post assessment answers 2 downloaded from 50storiesfortomorrow ilfu com on 2019

windows powershell cookbook second edition the complete - Oct 13 2022

buy windows powershell cookbook 2e the complete guide to scripting microsoft s new command shell 2 by holmes lee isbn 9780596801502 from amazon s book store

powershell cookbook the complete guide to scripting - Feb 17 2023

jul 20 2021 powershell cookbook your complete guide to scripting the ubiquitous object based shell paperback july 20 2021 by lee holmes author 4 6 111 ratings see all

windows powershell cookbook the complete guide to - May 20 2023

release date publisher s o reilly media inc isbn none book this complete guide takes you on a tour of powershell from the basics to its advanced video by brien posey 12

windows powershell cookbook the complete guide to - Jul 22 2023

aug 20 2010 with windows powershell cookbook you ll get more done in less time take a tour of powershell s core features including the command model object based pipeline and

github let s build from here github - Mar 06 2022

home windows powershell cookbook the complete guide to scripting microsoft s command shell 3 ed 1449320686 9781449320683 how do you use windows powershell

windows powershell cookbook the complete guide to scripting - Jun 09 2022

payload allshortcutsenabled false filetree book items name a practical guide to continuous delivery epub path book a practical guide to

powershell cookbook online access - Feb 05 2022

aug 13 2010 with windows powershell cookbook you ll get more done in less time take a tour of powershell s core features

including the command model object based pipeline and

windows powershell cookbook 2e the complete guide to - Jul 10 2022

title windows powershell cookbook the complete guide to scripting microsoft s command shell author s lee holmes publisher o reilly media 3 edition january 22 2013

windows powershell cookbook the complete guide to - Nov 02 2021

windows powershell cookbook the complete guide to - Apr 07 2022

windows powershell cookbook 3rd edition pdf download for free book description how do you use windows powershell to navigate the filesystem manage files and folders or retrieve

windows powershell cookbook 3rd edition programmer books - Jan 04 2022

windows powershell cookbook the complete guide - Nov 14 2022

jan 18 2013 windows powershell cookbook the complete guide to scripting microsoft s command shell by lee holmes write a review paperback third edition 69 99 ship

windows powershell cookbook the complete guide - Sep 24 2023

with windows powershell cookbook you ll get more done in less time take a tour of powershell s core features including the command model object based pipeline and

powershell cookbook 4th edition book o reilly media - Apr 19 2023

jul 20 2021 learn how to use powershell on windows 10 and windows server 2019 tour powershell s core features including the command model object based pipeline and

windows powershell cookbook 3e the complete - Dec 15 2022

this introduction to the powershell language and scripting environment provides more than 430 task oriented recipes to help you solve the most complex and pressing problems and includes

windows powershell cookbook the complete guide to - Jun 21 2023

windows powershell cookbook the complete guide to scripting microsoft s command shell lee holmes amazon com tr kitap

powershell cookbook your complete guide to scripting the - Mar 18 2023

powershell cookbook the complete guide to scripting microsoft s command shell 4th edition lee holmes amazon com au books books computers internet networking

windows powershell cookbook the complete guide to scripting - Sep 12 2022

author lee holmes summary this introduction to the powershell language and scripting environment provides more than 400

task oriented recipes to help you solve the most complex

[windows powershell cookbook the complete guide to](#) - Aug 23 2023

jan 15 2013 learn how to use powershell on windows 8 and windows server 2012 tour powershell s core features including the command model object based pipeline and

powershell cookbook your complete guide to scripting the - May 08 2022

angst begone if you are an owner of either the electronic or printed versions of the powershell cookbook this online edition provides free online searchable access to every recipe

[windows powershell cookbook your complete guide to scripting the](#) - Jan 16 2023

aug 25 2010 with windows powershell cookbook you ll get more done in less time take a tour of powershell s core features including the command model object based pipeline and

[windows powershell cookbook the complete guide to](#) - Dec 03 2021

windows powershell cookbook the complete guide to - Aug 11 2022

learn how to use powershell on windows 10 and windows server 2019 tour powershell s core features including the command model object based pipeline and ubiquitous scripting

national healthcareer association phlebotomy - Feb 15 2023

web technician exam will include competencies in patient care phlebotomy ekg terminology anatomy and some ethical or legal considerations the following study guide is meant to assist you in focusing on concepts tested in the certification exam

[patient care technician practice test questions updated 2023](#) - Jul 20 2023

web may 8 2023 how to study for the cpct a exam to be eligible for the cpct a exam you must have a great school diploma ged high school equivalency and an of the after you must have completes a patient customer technician education or training timetable internally who last 5 years

patient care technician exam study guide volume two - Dec 13 2022

web mar 22 2017 patient care technician certification study guide has volume one and two volume one consists of patient care procedures plus ekg volume two consists of patient care procedures plus phlebotomy

patient care technician exam secrets study guide - Oct 11 2022

web sep 27 2023 patient care technician exam secrets study guide interactive patient care practice test questions fast free shipping instant ebook access available how to pass the patient care technician exam using our easy step by step patient care exam study guide without weeks and months of endless studying dear friend

pct certification exam study guide flashcards quizlet - Mar 04 2022

web 1 day ago pct certification exam study guide flashcards quizlet healthy click the card to flip to be without disease click the card to flip 1 172 flashcards learn q chat created by terms in this set 172 healthy to be without disease patient care technician nursing assistant with advanced skills health promotion

[certified patient care technician assistant cpct a](#) - Apr 17 2023

web teach essential patient care technician practice skills advocate certification candidate self learning enforce critical thinking and application of knowledge with case studies provide review materials to assist with preparation for cpct a exam study guide can be viewed in printed or online format for customized learning

pct ncct exam flashcards quizlet - Aug 09 2022

web patient care tech national competency certification test study guide learn with flashcards games and more for free

patient care technician study guide flashcards quizlet - Feb 03 2022

web study with quizlet and memorize flashcards containing terms like role of hypothalamus before delivering a patient meal what do you check for most accurate route for temperature and more hello quizlet

[patient care technician certification study guide pctl](#) - Aug 21 2023

web welcome to amca s patient care technician certification study guide disclaimer this exam prep study guide is intended to be used as reinforcement for what you have already learned it is provided as a courtesy by the amca to be used as an optional resource all study material is developed

patient care technician exam practice test test prep review - Jun 07 2022

web proven patient care technician test flashcards raise your score on the patient care technician exam guaranteed prepare with our patient care technician study guide and practice questions

patient care technician assistant printed study guide 2 0 - Nov 12 2022

web our patient care technician assistant printed study guide 2 0 is ideal for exam preparation includes five module chapters with content aligned to updated exam test plan along with case studies and summary sections in each area module 1 patient care module 2 compliance safety and professional responsibility module 3 infection control

patient care technician exam secrets study guide patient care test - May 06 2022

web feb 14 2013 the patient care technician exam is extremely challenging and thorough test preparation is essential for success patient care technician exam secrets study guide is the ideal prep solution for anyone who wants to

patient care technician study guide cpct exam prep book - Sep 10 2022

web jan 26 2022 introducing our patient care technician study guide cpct exam prep book with practice test questions ascencia test prep s patient care technician study guide includes everything you need to pass the certified patient care technician assistant cpct a exam the first time quick review of the concepts

patient care technician study guide cpct exam prep boo - Jan 14 2023

web jan 26 2022 ascencia test prep s patient care technician study guide is aligned with the official cpct a framework topics covered the national healthcareer association nha was not in volved in the creation or production of this product is not in any way affiliated with ascencia test prep and does not sponsor or endorse this product

patient care technician certification cpct a ascendbase - May 18 2023

web this special package includes robust interactive study materials and a patient care technician certification study guide along with the practice test best value 75

patient care technician practice test questions updated 2023 - Sep 22 2023

web oct 17 2023 patient care technician assistant study guide patient care technician assistant flashcards cpct a exam eligibility to be eligible for the cpct a exam you must have a high school diploma ged high school equivalency and one of the following you must have completed a patient care technician education or training

nha certified patient care technician assistant cpct a test - Apr 05 2022

web examination 1 patient care 45 2 compliance safety and professional responsibility 20 3 infection control 11 4 phlebotomy 14 5 ekg 10 total 100 domain 1 patient care 45 items a provide basic patient care under the direction of nursing staff e g bathing bed making catheter care assisting with

nha cpct study guide flashcards quizlet - Jul 08 2022

web study with quizlet and memorize flashcards containing terms like practice test a a patient care technician is making an open bed for a patient which of the following actions should the technician take a patient care technician is observing a patient who is ambulating using a walker which of the following actions by the patient demonstrates

topical study guide patient care technician pct - Jun 19 2023

web topical study guide patient care technician pct 8 computer based testing cbt all examinations are taken via aah s secure online computer based testing cbt portal the exam is taken while logged into your aah account at americanalliedhealth com either from your own home computer or onsite if

nha patient care technician cpct a learning solutions ascendbase - Mar 16 2023

web nha patient care technician cpct a learning solutions get certified educate train resources about nha educate and train patient care technicians find out the role virtual humans can play in achieving better patient outcomes in this free seven page article download today