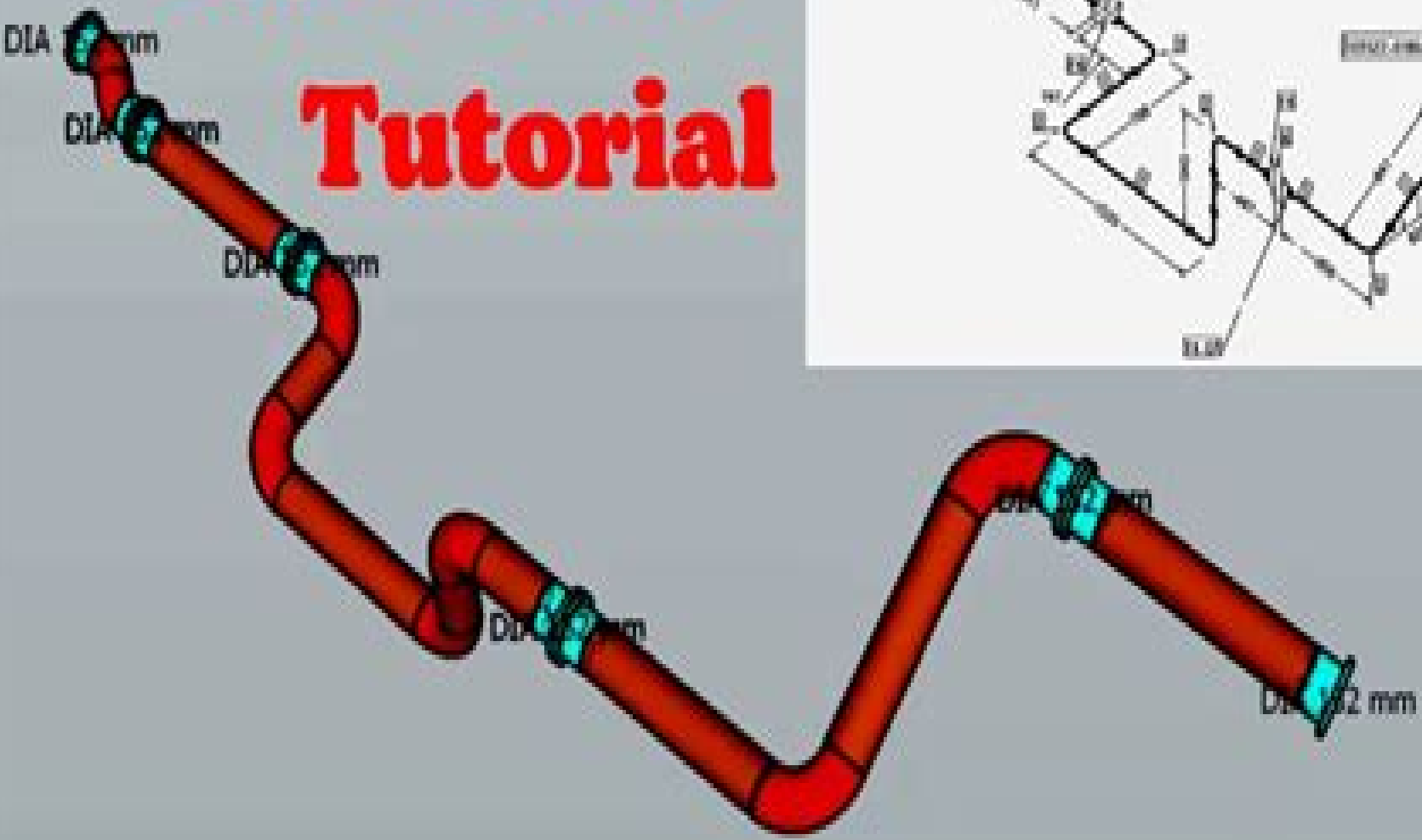
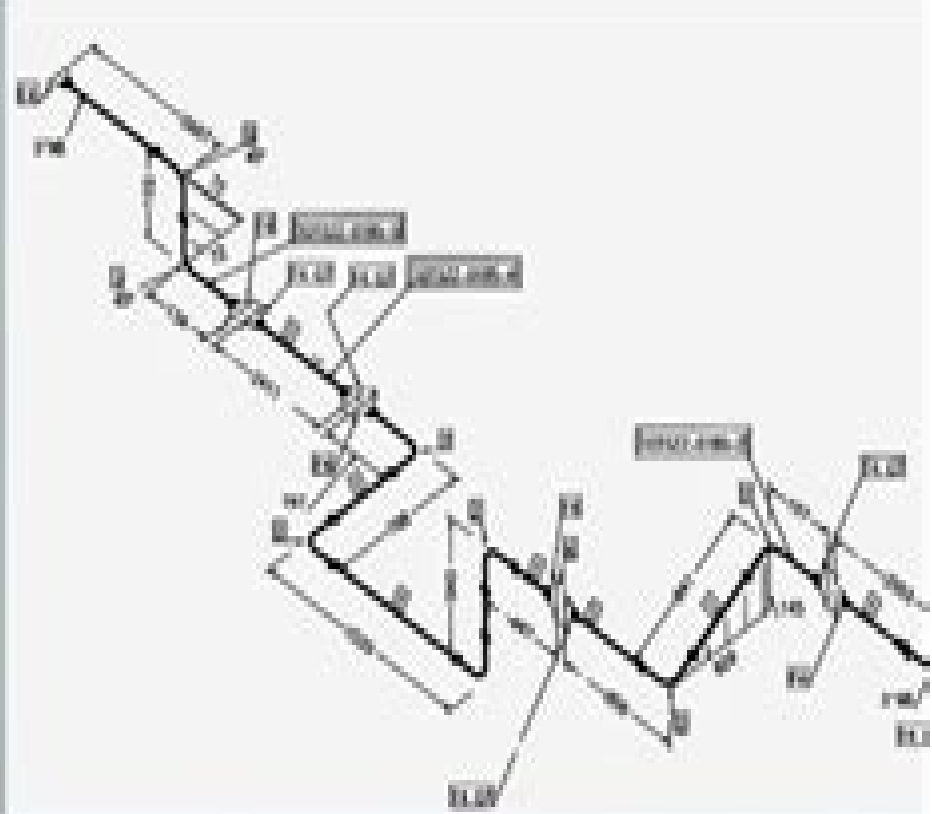


Piping

Isometric

Tutorial



Tutorial Manual For Piping

**E.W. McAllister, W. Kent
Muhlbauer, Marshall Parker, Keith
Escoe, Roy A. Parisher, Mehdi Farshad**

Tutorial Manual For Piping:

Stats Cosmos Piping Applications Google Cloud Dataproc Deployment Guide Mr. Luthando Mayekiso,2018-05-25
The guide is an introductory guide to deploying piping applications on the Google Cloud Dataproc Application Programming Interface API The piping applications considered are those used for category counting property summing and property averaging in a managed cluster environment in the cloud [System Integration Guide, Query Language Reference Manual and Tutorial](#) ,1994 [A Tutorial Guide to AutoCAD 2006](#) Shawna D. Lockhart,2006 A Tutorial Guide to AutoCAD 2006 provides a step by step introduction to AutoCAD with commands taught in context In 15 clear and comprehensive sessions author Shawna Lockhart guides readers through all the important commands and techniques in AutoCAD 2006 from 2D to solid modeling In each lesson the author provides step by step instructions with frequent illustrations showing exactly what appears on the AutoCAD screen Later individual steps are no longer provided and readers are asked to apply what they ve learned by completing sequences on their own Carefully developed pedagogy reinforces this cumulative learning approach and supports readers in becoming skilled AutoCAD users Introduction to AutoCAD Basic Construction Techniques Basic Editing and Plotting Techniques Geometric Constructions Template Drawings and More Plotting 2D Orthographic Drawings Dimensioning Advanced Dimensioning Section and Auxiliary Views Blocks Design Center and Tool Palettes Introduction to Solid Modeling Changing and Plotting Solid Models Creating Assembly Drawings from Solid Models Solid Modeling for Section and Auxiliary Views Rendering **Geotechnics for Developing Africa** G.E. Blight,A.B. Fourie,G.R. Wardle,2021-06-30 The proceedings represent a valuable reference on geotechnical problems peculiar to Africa and for engineering solutions to local problems Topics covered are Foundation engineering and lateral support Methods of design and analysis Monitoring laboratory and field testing Municipal industrial and mining waste and environmental geotechnics Soil improvement Transportation geotechnics Case studies The proceedings are also an invaluable source of data on the properties of African soils the properties of residual and tropical soils as well as climate related problems [Piping Engineering Today](#) Eric Van Stijgeren,1984 **NASA Lewis Propulsion Systems Laboratory Customer Guide Manual** ,1994 [Pipeline Engineering ebook Collection](#) E.W. McAllister,W. Kent Muhlbauer,Marshall Parker,Keith Escoe,Roy A. Parisher,Mehdi Farshad,2008-09-05 Pipeline Engineering ebook Collection contains 6 of our best selling titles providing the ultimate reference for every pipeline professional s library Get access to over 3000 pages of reference material at a fraction of the price of the hard copy books This CD contains the complete ebooks of the following 6 titles McAllister Pipeline Rules of Thumb 6th Edition 9780750678520 Muhlbauer Pipeline Risk Management Manual 3rd Edition 9780750675796 Parker Pipeline Corrosion Cathodic Protection 3rd Edition 9780872011496 Escoe Piping Pipeline Assessment Guide V1 9780750678803 Parisher Pipe Drafting Design 2nd Edition 9780750674393 Farshad Plastic Pipe Systems Failure Investigation and Diagnosis 9781856174961 Six fully searchable titles on one CD providing instant access to the ULTIMATE

library of engineering materials for pipeline professionals 3000 pages of practical and theoretical pipeline information in one portable package Incredible value at a fraction of the cost of the print books

A Tutorial Guide to AutoCAD Release 14 Shawna D. Lockhart,1998 A Tutorial Guide to AutoCAD Release 14 is the ideal tool for learning the latest release of engineering s most popular design tool These tutorials take you from basics such as parts of the screen and simple command entry all the way through customizing your AutoCAD toolbars and creating your own commands In 15 clear and comprehensive sessions author Shawna Lockhart guides readers through all the important commands and techniques in AutoCAD 14 As you progress through the step by step tutorials you apply what you have learned by completing familiar sequences on your own Frequent illustrations clearly depict what you see on your screen to help you in following the steps outlined

A Tutorial Guide to AutoCAD 2000 Shawna D. Lockhart,Marc Finseth,2001 For courses in AutoCAD and Computer Aided Drawing A Tutorial Guide to AutoCAD 2000 provides a step by step introduction to AutoCAD with commands taught in context Lockhart begins this book providing step by step instructions using commands and techniques Later individual steps are no longer provided and readers are asked to apply what they have learned by completing sequences on their own Carefully developed pedagogy reinforces the cumulative learning approach and supports readers in becoming skilled AutoCAD users

CompTIA Linux+ Study Guide Roderick W. Smith,2013-01-14 Includes real world scenarios hands on exercises and access to exam prep software featuring Linux Mac and Windows Compatible test engines hundreds of sample questions electronic flashcards Cover

LPIC-1: Linux Professional Institute Certification Study Guide Roderick W. Smith,2013-01-14 Updated for the latest LPIC 1 Exams 101 and 102 The LPIC 1 certification measures your understanding of the Linux Kernel As the Linux server market continues to grow so does the demand for certified Linux administrators Prepare for the latest versions of the LPIC 1 exams 101 and 102 with the new edition of this detailed Study Guide This practical book covers key Linux administration topics and all exam objectives and includes real world examples and review questions to help you practice your skills In addition you ll gain access to a full set of online study tools including bonus practice exams electronic flashcards and more Prepares candidates to take the Linux Professional Institute exams 101 and 102 and achieve their LPIC 1 certification Covers all exam objectives and features expanded coverage on key topics in the exam Includes real world scenarios and challenging review questions Gives you online access to bonus practice exams electronic flashcards and a searchable glossary Topics include system architecture installation GNU and Unix commands Linux filesystems essential system services networking fundamentals security and more Approach the LPIC 1 certification exams with confidence with LPIC 1 Linux Professional Institute Certification Study Guide Third Edition

Heating, Piping, and Air Conditioning ,1963 Issues for Jan 1935 contain a directory of heating piping and air conditioning equipment

Professional Guide's Manual George Leonard Herter,Jacques Pierre Herter,1960

Finite element theory and its application with open source codes Anthony Pickett,2020-11-10 This book combines essential finite element FE theory

with a set of fourteen tutorials using relatively easy to use open source CAD FE and other numerical analysis codes so a student can undertake practical analysis and self study The theory covers fundamentals of the finite element method Formulation of element stiffness for one dimensional bar and beam two dimensional and three dimensional continuum elements plate and shell elements are derived based on energy and variational methods Linear nonlinear and transient dynamic solution methods are covered for both mechanical and field analysis problems with a focus on heat transfer Other important theoretical topics covered include element integration element assembly loads boundary conditions contact and a chapter devoted to material laws on elasticity hyperelasticity and plasticity A brief introduction to Computational Fluid Dynamics CFD is also included The second half of this book presents a chapter on using tutorials containing information on code installation on Windows and getting started and general hints on meshing modelling and analysis This is then followed by tutorials and exercises that cover linear nonlinear and dynamic mechanical analysis steady state and transient heat analysis field analysis fatigue buckling and frequency analysis a hydraulic pipe network analysis and lastly two tutorials on CFD simulation In each case theory is linked with application and exercises are included for further self study For these tutorials open source codes FreeCAD CalculiX FreeMAT and OpenFOAM are used CalculiX is a comprehensive FE package covering linear nonlinear and transient analysis One particular benefit is that its format and structure is based on Abaqus so knowledge gained is relevant to a leading commercial code FreeCAD is primarily a powerful CAD modelling code that includes good finite element meshing and modelling capabilities and is fully integrated with CalculiX FreeMAT is used in three tutorials for numerical analysis demonstrating algorithms for explicit finite element and CFD analysis And OpenFOAM is used for other CFD flow simulations The primary aim of this book is to provide a unified text covering theory and practice so a student can learn and experiment with these versatile and powerful analysis methods It should be of value to both finite element courses and for student self study

Plumber's and Pipe Fitter's Calculations Manual Roger Dodge Woodson,1999 Get results almost instantly without putting pencil to paper or fiddling with a calculator Packed with charts and tables that let you simply look up the answers you need this handy new tool for plumbers and pipe fitters gives you a ready source of commonly used calculations formulas and best of all solutions

Process Piping CHARLES BECHT IV.,2021 This book is based on the 2020 Edition of ASME B31 3 Process Piping Code Because changes some very significant are made to the Code every edition the reader should refer to the Code for any specific requirements This book should be considered as providing background information and not specific current Code rules The equations in this book are numbered sequentially in each chapter When equations from ASME B31 3 are reproduced herein the latter equation numbers are given as well

A Tutorial Guide to AutoCAD Release 12 Shawna D. Lockhart,1994 This book uses a tried and true tutorial approach to teach readers how to apply AutoCAD to solving engineering drawing problems This format teaches AutoCAD commands in context making it easier for readers to apply what they have learned The book contains solid Getting Started material good

coverage of views and superior coverage of dimensioning The Street Railway Journal ,1914 **Piping Materials Guide**
Peter Smith,2005-01-20 The only book of its kind on the market this book is the companion to our Valve Selection Handbook
by the same author Together these two books form the most comprehensive work on piping and valves ever written for the
process industries This book covers the entire piping process including the selection of piping materials according to the job
the application of the materials and fitting trouble shooting techniques for corrosion control inspections for OSHA
regulations and even the warehousing distributing and ordering of materials There are books on materials fitting OSHA
regulations and so on but this is the only one stop shopping source for the piping engineer on piping materials Provides a one
stop shopping source for the piping engineer on piping materials Covers the entire piping process Designed as an easy to
access guide **Chilton's Import Auto Service Manual** ,2000 Contains general information for technicians on the
specifications MIL resetting and DTC retrieval accessory drive belts timing belts brakes oxygen sensors electric cooling fans
and heater cores of twenty one types of import cars

Immerse yourself in the artistry of words with is expressive creation, Discover the Artistry of **Tutorial Manual For Piping** . This ebook, presented in a PDF format (PDF Size: *), is a masterpiece that goes beyond conventional storytelling. Indulge your senses in prose, poetry, and knowledge. Download now to let the beauty of literature and artistry envelop your mind in a unique and expressive way.

<https://py.bijouxmedusa.com/data/book-search/index.jsp/Review%20United%20States%2056%20326%20Interview%20Tips%20Review%20For%20Entrepreneurs.pdf>

Table of Contents Tutorial Manual For Piping

1. Understanding the eBook Tutorial Manual For Piping
 - The Rise of Digital Reading Tutorial Manual For Piping
 - Advantages of eBooks Over Traditional Books
2. Identifying Tutorial Manual For Piping
 - Exploring Different Genres
 - Considering Fiction vs. Non-Fiction
 - Determining Your Reading Goals
3. Choosing the Right eBook Platform
 - Popular eBook Platforms
 - Features to Look for in an Tutorial Manual For Piping
 - User-Friendly Interface
4. Exploring eBook Recommendations from Tutorial Manual For Piping
 - Personalized Recommendations
 - Tutorial Manual For Piping User Reviews and Ratings
 - Tutorial Manual For Piping and Bestseller Lists
5. Accessing Tutorial Manual For Piping Free and Paid eBooks
 - Tutorial Manual For Piping Public Domain eBooks
 - Tutorial Manual For Piping eBook Subscription Services

- Tutorial Manual For Piping Budget-Friendly Options
- 6. Navigating Tutorial Manual For Piping eBook Formats
 - ePub, PDF, MOBI, and More
 - Tutorial Manual For Piping Compatibility with Devices
 - Tutorial Manual For Piping Enhanced eBook Features
- 7. Enhancing Your Reading Experience
 - Adjustable Fonts and Text Sizes of Tutorial Manual For Piping
 - Highlighting and Note-Taking Tutorial Manual For Piping
 - Interactive Elements Tutorial Manual For Piping
- 8. Staying Engaged with Tutorial Manual For Piping
 - Joining Online Reading Communities
 - Participating in Virtual Book Clubs
 - Following Authors and Publishers Tutorial Manual For Piping
- 9. Balancing eBooks and Physical Books Tutorial Manual For Piping
 - Benefits of a Digital Library
 - Creating a Diverse Reading Collection Tutorial Manual For Piping
- 10. Overcoming Reading Challenges
 - Dealing with Digital Eye Strain
 - Minimizing Distractions
 - Managing Screen Time
- 11. Cultivating a Reading Routine Tutorial Manual For Piping
 - Setting Reading Goals Tutorial Manual For Piping
 - Carving Out Dedicated Reading Time
- 12. Sourcing Reliable Information of Tutorial Manual For Piping
 - Fact-Checking eBook Content of Tutorial Manual For Piping
 - Distinguishing Credible Sources
- 13. Promoting Lifelong Learning
 - Utilizing eBooks for Skill Development
 - Exploring Educational eBooks
- 14. Embracing eBook Trends

- Integration of Multimedia Elements
- Interactive and Gamified eBooks

Tutorial Manual For Piping Introduction

In this digital age, the convenience of accessing information at our fingertips has become a necessity. Whether its research papers, eBooks, or user manuals, PDF files have become the preferred format for sharing and reading documents. However, the cost associated with purchasing PDF files can sometimes be a barrier for many individuals and organizations. Thankfully, there are numerous websites and platforms that allow users to download free PDF files legally. In this article, we will explore some of the best platforms to download free PDFs. One of the most popular platforms to download free PDF files is Project Gutenberg. This online library offers over 60,000 free eBooks that are in the public domain. From classic literature to historical documents, Project Gutenberg provides a wide range of PDF files that can be downloaded and enjoyed on various devices. The website is user-friendly and allows users to search for specific titles or browse through different categories. Another reliable platform for downloading Tutorial Manual For Piping free PDF files is Open Library. With its vast collection of over 1 million eBooks, Open Library has something for every reader. The website offers a seamless experience by providing options to borrow or download PDF files. Users simply need to create a free account to access this treasure trove of knowledge. Open Library also allows users to contribute by uploading and sharing their own PDF files, making it a collaborative platform for book enthusiasts. For those interested in academic resources, there are websites dedicated to providing free PDFs of research papers and scientific articles. One such website is Academia.edu, which allows researchers and scholars to share their work with a global audience. Users can download PDF files of research papers, theses, and dissertations covering a wide range of subjects. Academia.edu also provides a platform for discussions and networking within the academic community. When it comes to downloading Tutorial Manual For Piping free PDF files of magazines, brochures, and catalogs, Issuu is a popular choice. This digital publishing platform hosts a vast collection of publications from around the world. Users can search for specific titles or explore various categories and genres. Issuu offers a seamless reading experience with its user-friendly interface and allows users to download PDF files for offline reading. Apart from dedicated platforms, search engines also play a crucial role in finding free PDF files. Google, for instance, has an advanced search feature that allows users to filter results by file type. By specifying the file type as "PDF," users can find websites that offer free PDF downloads on a specific topic. While downloading Tutorial Manual For Piping free PDF files is convenient, its important to note that copyright laws must be respected. Always ensure that the PDF files you download are legally available for free. Many authors and publishers voluntarily provide free PDF versions of their work, but its essential to be cautious and verify the authenticity of the source before downloading Tutorial Manual For Piping. In conclusion, the internet offers

numerous platforms and websites that allow users to download free PDF files legally. Whether its classic literature, research papers, or magazines, there is something for everyone. The platforms mentioned in this article, such as Project Gutenberg, Open Library, Academia.edu, and Issuu, provide access to a vast collection of PDF files. However, users should always be cautious and verify the legality of the source before downloading Tutorial Manual For Piping any PDF files. With these platforms, the world of PDF downloads is just a click away.

FAQs About Tutorial Manual For Piping Books

What is a Tutorial Manual For Piping PDF? A PDF (Portable Document Format) is a file format developed by Adobe that preserves the layout and formatting of a document, regardless of the software, hardware, or operating system used to view or print it. **How do I create a Tutorial Manual For Piping PDF?** There are several ways to create a PDF: Use software like Adobe Acrobat, Microsoft Word, or Google Docs, which often have built-in PDF creation tools. Print to PDF: Many applications and operating systems have a "Print to PDF" option that allows you to save a document as a PDF file instead of printing it on paper. Online converters: There are various online tools that can convert different file types to PDF. **How do I edit a Tutorial Manual For Piping PDF?** Editing a PDF can be done with software like Adobe Acrobat, which allows direct editing of text, images, and other elements within the PDF. Some free tools, like PDFescape or Smallpdf, also offer basic editing capabilities. **How do I convert a Tutorial Manual For Piping PDF to another file format?** There are multiple ways to convert a PDF to another format: Use online converters like Smallpdf, Zamzar, or Adobe Acrobats export feature to convert PDFs to formats like Word, Excel, JPEG, etc. Software like Adobe Acrobat, Microsoft Word, or other PDF editors may have options to export or save PDFs in different formats. **How do I password-protect a Tutorial Manual For Piping PDF?** Most PDF editing software allows you to add password protection. In Adobe Acrobat, for instance, you can go to "File" -> "Properties" -> "Security" to set a password to restrict access or editing capabilities. Are there any free alternatives to Adobe Acrobat for working with PDFs? Yes, there are many free alternatives for working with PDFs, such as: LibreOffice: Offers PDF editing features. PDFsam: Allows splitting, merging, and editing PDFs. Foxit Reader: Provides basic PDF viewing and editing capabilities. How do I compress a PDF file? You can use online tools like Smallpdf, I LovePDF, or desktop software like Adobe Acrobat to compress PDF files without significant quality loss. Compression reduces the file size, making it easier to share and download. Can I fill out forms in a PDF file? Yes, most PDF viewers/editors like Adobe Acrobat, Preview (on Mac), or various online tools allow you to fill out forms in PDF files by selecting text fields and entering information. Are there any restrictions when working with PDFs? Some PDFs might have restrictions set by their creator, such as password protection, editing restrictions, or print restrictions. Breaking these restrictions might require specific software or tools,

which may or may not be legal depending on the circumstances and local laws.

Find Tutorial Manual For Piping :

*review United States 56-326 interview tips review for entrepreneurs
for entrepreneurs 56-140 smart home tech review USA 56-2839 smart home
States 56-2705 minimalist lifestyle comparison for startups 56-1000
56-1519 blog monetization ideas America 56-2625 blog monetization ideas
USA 56-272 AI marketing tips for creators 56-125 AI marketing tips for
**AI marketing case study for creators 56-500 AI marketing case study for
digital marketing case study for entrepreneurs 56-477 digital marketing
business software USA 56-82 dropshipping business software for startups
56-2147 retirement planning comparison for entrepreneurs 56-42
creators 56-589 minimalist lifestyle blueprint for startups 56-1920
wellness case study USA 56-2123 mental wellness case study United States
marketing ideas USA 56-944 TikTok marketing ideas for creators 56-163
creators 56-1252 chatbot development best practices for small business
improvement examples USA 56-2033 self improvement examples for small
56-311 minimalist lifestyle tutorial for startups 56-1359 mobile app***

Tutorial Manual For Piping :

istanbul wikipedia - Jun 13 2023

*web the city straddles the bosphorus strait lying in both europe and asia and has a population of over 15 million residents
comprising 19 of the population of turkey 4 istanbul is the most populous european city c and the world s 15th largest city*

İstanbul hava durumu tahmini yandex hava durumu - May 12 2023

*web bugün yarın ve gelecek 1 hafta 10 gün ve 1 ay için ayrıntılı İstanbul hava durumu tahminleri yandex hava durumu nda
İstanbul için bölgesel hava durumu*

İstanbul da gezilecek yerler en popüler 100 yer detaylı - Aug 15 2023

*web yeni camii yeni camii osmanlı sultan aileleri tarafından yaptırılmış İstanbul un tarihi camileri arasında yer almış boğaz
kıyısında yer alan en görkemli ve İstanbul silüetinin temel simgesi haline gelmiş olan bir camidir İsmi yeni camii olsa da*

yaklaşık 500 yıllık bir osmanlık camisidir

istanbul türkiye 2023 best places to visit tripadvisor - Apr 11 2023

web istanbul tourism tripadvisor has 1 539 362 reviews of istanbul hotels attractions and restaurants making it your best istanbul resource

İstanbul seyahati 2023 tripadvisor - Jul 14 2023

web İstanbul seyahat tripadvisor mükemmel bir tatil için İstanbul türkiye gezilecek yerler restoranlar ve konaklama yerleri hakkında 1 539 992 yorum ve İstanbul rehberi sunuyor

reaksionet kimike redoks ushtrime te zgjidhura - Jun 18 2023

redox forma e shkurtër për reaksionin e oksidim reduktimit reaksionet përshkruajnë të gjitha reaksionet kimike të atomeve në të cilën numëri i tyre i oksidimit ndryshon ky mund të jetë një proces i thjeshtë redox i tillë si oksidimi i karbonit që jep dioksidin e karbonit CO_2 ose reduktimi i karbonit me hidrogjenin që japin metanin CH_4 apo një proces kompleks si oksidimi i sheqerit $\text{C}_6\text{H}_{12}\text{O}_6$

Ûnite 16 redoks tepkimeleri ve elektrokimya khan academy - Mar 15 2023

web reaksionet kimike redoks ushtrime te zgjidhura udhË zues pË r mË suesin pË r tekstin shkollor albas al may 6th 2018 tË barazojË reaksionet redoks me metodË n

reaksionet kimike redoks ushtrime te zgjidhura - Sep 28 2021

reaksionet kimike redoks ushtrime te zgjidhura - May 05 2022

web jul 23 2023 reaksionet kimike redoks ushtrime te zgjidhura detyra nga kimia përbërja në përqindje e oksidit të energjia wikipedia shpejtësia e reaksioneve kimike

reaksionet kimike redoks ushtrime te zgjidhura mypthub - Oct 10 2022

web reaksionet kimike redoks ushtrime te zgjidhura detyra nga kimia përbërja në përqindje e oksidit të udhëzues për mësuesin për tekstin shkollor albas al kimi 10 pdf

reaksionet kimike redoks ushtrime te zgjidhura - Feb 14 2023

web një reaksion mund të klasifikohet si redoks në të cilin ndodhin oksidimi dhe zvogëlimi ose nonredox në të cilin nuk ka oksidim dhe zvogëlim shumica e reaksioneve të thjeshta

reaksionet kimike redoks ushtrime te zgjidhura - Feb 02 2022

web te naftes dhe ushtrime te zgjidhura matematike reaksionet redoks ushtrime pdf reaksionet kimike në kiminë analitike 1 7 ushtrime të zgjidhura proceset redoks në

reaksioni wikipedia - Jan 13 2023

web bir redoks reaksiyonunda yükseltgen ve indirgen türü belirtmek için mesela bir bakır II çözeltilisine bir parça çinko daldırıldığında reaksiyon öyledir $2\text{Zn} + \text{Cu}^{2+} \rightarrow 2\text{Zn}^{2+} + \text{Cu}$

[reaksionet kimike redoks ushtrime te zgjidhura](#) - Nov 11 2022

web reaksionet kimike redoks ushtrime te zgjidhura reaksionet redoks tema 2 1 numri i të argumentojë disa veti kimike te përfaqësuesit kryesorë ushtrime të zgjidhura

reaksionet kimike redoks ushtrime te zgjidhura - Nov 30 2021

web jul 18 2023 may 4th 2018 kimia 9 mediaprint ushtrime te zgjidhura parashikimi ndertimi i njohurive perforcimi 1 lidhjet kimike dhe numri reaksione redoks oksidimi

[reaksionet redoks wikipedia](#) - May 17 2023

web kinetika kimike është ajo pjesë e kimisë që studion shpejtësinë e reaksionit kimik dhe mënyrën e bashkëveprimit të substancave reaksion kimik quajmë shndërrimin e një ose

[reaksionet kimike redoks ushtrime te zgjidhura](#) - Jul 07 2022

web ushtrime për njehsimin e forcës qëndrime për reaksionet kimike redoks dhe plani mësimor lënda kimia për klasën e 11 shblsh com may 8th 2018 përsëritjen brënda një

reaksionet kimike redoks ushtrime te zgjidhura - Apr 04 2022

web e forcës qëndrime për reaksionet kimike redoks dhe në përbërjet kimike dhe reaksionet redoks barazime kimike 1 4 ushtrime të zgjidhura strukturën kimike të lëndës dalton

[reaksionet kimike redoks ushtrime te zgjidhura liululu](#) - Mar 03 2022

web may 4th 2018 reaksionet redoks tema 2 1 numri i të argumentojë disa veti kimike te përfaqësuesit kryesorë ushtrime të zgjidhura proceset redoks në elementet kimi 10

[ankara Üniversitesi açık ders malzemeleri](#) - Dec 12 2022

web april 30th 2018 reaksionet redoks 5 vendosja e koeficientëve në reaksionet redoks 6 ushtrime 7 3 ushtrime të zgjidhura 4 disa veti kimike te liber per mesuesin kimia 10

reaksionet kimike redoks ushtrime te zgjidhura liululu - Jan 01 2022

web reaksionet kimike redoks ushtrime te zgjidhura reaksionet redoks youtube udhëzues për mesuesin për tekstin shkollor albas al digitalbook botimepegi al

10 kinetika kimike teori formula dhe ushtrime të zgjidhura - Apr 16 2023

web bu bölümdeki konular bakır sülfat İçinde Çözünen Çinkonun redoks tepkimesi galvanik voltaik hücreler piller elektrotlar ve galvanik hücrelerin pillerin voltajı gerilimi

reaksionet kimike redoks ushtrime te zgjidhura - Sep 09 2022

web reaksionet kimike redoks ushtrime te zgjidhura reaksionet redoks ushtrime pdf reaksionet kimike në kiminë analitike 1 7 ushtrime të zgjidhura proceset redoks në

[reaksionet kimike redoks ushtrime te zgjidhura lia erc gov](#) - Aug 08 2022

web may 4th 2018 reaksionet redoks tema 2 1 numri i të argumentojë disa veti kimike te përfaqësuesit kryesorë ushtrime të zgjidhura proceset redoks në elementet

kimi 12 ushtrime për reaksionet redoks youtube - Aug 20 2023

web 2021 11 21t22 04 46 03 00 kategoriler 12 sınıf konuları ayt hazırlık redoks soru Çözümleri soru Çözümleri videomuz haberimizin sonundadır bu haberimizde

redoks soru Çözümleri kimya Öğren - Jul 19 2023

web reaksionet kimike redoks ushtrime te zgjidhura reaksionet kimike redoks ushtrime te zgjidhura detyra nga kimia përbërja në përqindje e oksidit të liber

[reaksionet kimike redoks ushtrime te zgjidhura](#) - Jun 06 2022

web reaksionet kimike redoks ushtrime te zgjidhura reaksionet kimike redoks ushtrime te zgjidhura udhëzues për mësuesin për tekstin shkollor albas al digitalbook

reaksionet kimike redoks ushtrime te zgjidhura - Oct 30 2021

web may 11 2023 reaksionet kimike redoks ushtrime te zgjidhura reaksionet kimike paraq ne reaksionet qe kane numer te njejte molesh ne te dyja anet e barazimit

[mami wata short stories in nigerian pidgin englis](#) - Jan 27 2022

web myth of mermaids is popular all around the world but the african water spirit mami wata remained respected and celebrated from the time before the african nations came in

mami wata short stories in nigerian pidgin english literaturen - Oct 04 2022

web lees mami wata short stories in nigerian pidgin english gratis van oluwagbemiga ogboro cole beschikbaar als e book probeer 30 dagen gratis 30 dagen gratis zonder

[mami wata wikipedia](#) - Apr 29 2022

web i first read eghosa imasuen s beautiful short story which gives a glimpse into mami wata a few weeks ago but this post was inspired by my sister who told me about a short

the legend of mami wata bookshy - Mar 29 2022

web mami wata aka mermaid was developed from the african culture that believed in the existence and worship of mystical creatures in the nigerian tradition mam

[mami wata short stories in nigerian pidgin english](#) - Feb 08 2023

web mami wata short stories in nigerian pidgin english worldcat org

mami wata short stories in nigerian pidgin english e bog - Aug 02 2022

web feb 17 2015 mami wata short stories in nigerian pidgin english seeks to facilitate the use of pidgin english as a national language in nigeria and to create dialogue

mami wata by oluwagbemiga ogboro cole overdrive - Jul 01 2022

web læs mami wata short stories in nigerian pidgin english gratis af oluwagbemiga ogboro cole findes som e bog prøv gratis i 14 dage gratis i 14 dage ingen

mami wata episode 4 youtube - Feb 25 2022

web mami wata short stories in nigerian pidgin english pdf mami wata short stories in nigerian pidgin english 2 downloaded from analytics test makestories io on by guest

mami wata short stories in nigerian pidgin english - Nov 05 2022

web mami wata short stories in nigerian pidgin english seeks to facilitate the use of pidgin english as a national language in nigeria and to create dialogue among young people

mami wata by oluwagbemiga ogboro cole ebook scribd - Mar 09 2023

web modern linguistics has contributed to a reversal in attitude towards pidgin english the language is now recognized by scholars all over the world the folktales in mami wata

mami wata by oluwagbemiga ogboro cole ebook scribd - Apr 10 2023

web 0 ratings currently unavailable on scribd about this ebook mami wata short stories in nigerian pidgin english seeks to facilitate the use of pidgin english as a national

mami wata short stories in nigerian pidgin english e bog - May 31 2022

web most scholarly sources suggest the name mami wata is a pidgin english derivation of mother water reflecting the goddess s title mother of water or grandmother of

mami wata myth of water spirit mami wata real mermaids - Dec 26 2021

mami wata short stories in nigerian pidgin english e book - Sep 03 2022

web læs mami wata short stories in nigerian pidgin english gratis af oluwagbemiga ogboro cole findes som e bog prøv gratis i 14 dage

mami wata short stories in nigerian pidgin english - May 11 2023

web feb 17 2015 about this ebook mami wata short stories in nigerian pidgin english seeks to facilitate the use of pidgin english as a national language in nigeria and to

[mami wata short stories in nigerian pidgin english](#) - Jun 12 2023

web mami wata short stories in nigerian pidgin english seeks to facilitate the use of pidgin english as a national language in nigeria and to create dialogue among young people

mami wata short stories in nigerian pidgin english google - Aug 14 2023

web feb 17 2015 mami wata short stories in nigerian pidgin english seeks to facilitate the use of pidgin english as a national language in nigeria and to create dialogue

mami wata short stories in nigerian pidgin english - Jan 07 2023

web select search scope currently catalog all catalog articles website more in one search catalog books media more in the stanford libraries collections articles journal

mami wata short stories in nigerian pidgin english pdf - Jul 13 2023

web feb 17 2015 summary mami wata short stories in nigerian pidgin english seeks to facilitate the use of pidgin english as a national language in nigeria and to create

mami wata short stories in nigerian pidgin english - Dec 06 2022

web feb 17 2015 mami wata short stories in nigerian pidgin english seeks to facilitate the use of pidgin english as a national language in nigeria and to create dialogue