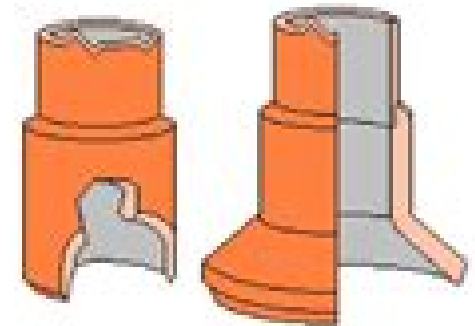


# Well COMPLETION

## 5. OTHERS

### 5.1 Wireline Entry Guide (WLEG)

- Bottom most tubing accessories.
- Provide easy access for WL tools into tubing.

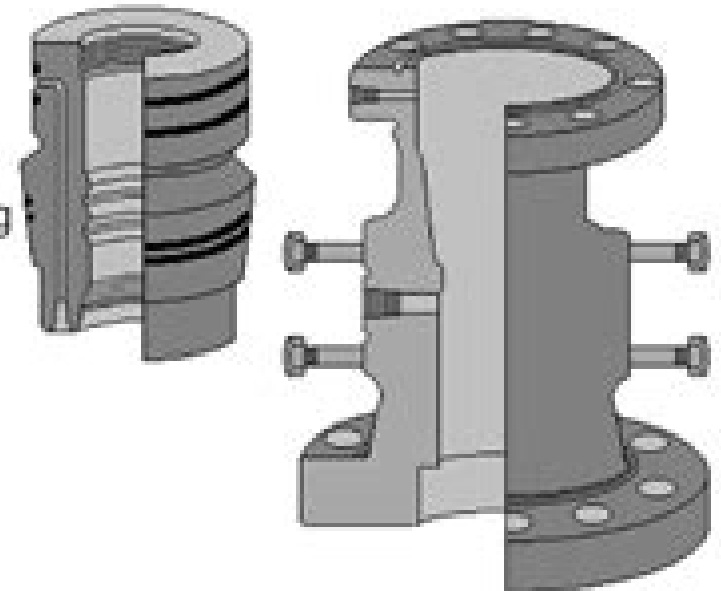


### 5.2 Perforated Joint

- Eliminate flow restrictions.
- Provide true downhole flow readings.

### 5.3 Control Line

- Transport hydraulic fluid to SCSSV
- Continuous length & securely clamped on tubing wall.



### 5.4 Tubing Hanger

- Set in THS , suspend tubing weight & provide sealing.
- BPV Receptacle

# Wireline Operations Manual

**Larry W. Lake**



## **Wireline Operations Manual:**

**Standard Handbook of Petroleum and Natural Gas Engineering** William C. Lyons, Gary J Plisga BS, 2011-03-15 This new edition of the Standard Handbook of Petroleum and Natural Gas Engineering provides you with the best state of the art coverage for every aspect of petroleum and natural gas engineering With thousands of illustrations and 1 600 information packed pages this text is a handy and valuable reference Written by over a dozen leading industry experts and academics the Standard Handbook of Petroleum and Natural Gas Engineering provides the best most comprehensive source of petroleum engineering information available Now in an easy to use single volume format this classic is one of the true must haves in any petroleum or natural gas engineer s library A classic for the oil and gas industry for over 65 years A comprehensive source for the newest developments advances and procedures in the petrochemical industry covering everything from drilling and production to the economics of the oil patch Everything you need all the facts data equipment performance and principles of petroleum engineering information not found anywhere else A desktop reference for all kinds of calculations tables and equations that engineers need on the rig or in the office A time and money saver on procedural and equipment alternatives application techniques and new approaches to problems

**Wireline Operations and Procedures** American Petroleum Institute. Division of Production, 1964

**Wireline Operations** Jack B. Hall, 1988 [Wireline Operations and Procedures](#) American Petroleum Institute. Production Department, 1994

**Oilfield Survival Guide, Volume One: For All Oilfield Situations** Matthew J. Hatami, 2017-01-02 Save Money Time and Lives with the Real World Oil Gas Experience of Others Learning the Hard Way in the Oilfield can Cost You Millions sometimes Billions of Dollars in addition to Injury and Loss of Life Cut Through the Noise to Focus on the Most Critical Aspects of Working in the Oil and Gas Business Based on over 1 000 Oil and Gas Situations involving Drilling Cementing Fracking Wireline Coil Tubing Snubbing Running Tools Welding Production Workover Logging Trucking Geology Land Engineering Resource Development Executive Management and much much more Expand Your Value Creation Opportunities by Learning from the Real World Experience of Others Whether you work in the office or in the field work as a Company Man Engineer Driller Tool Pusher Roughneck Geologist Landman Truck Driver Frac Hand Treater Cementer Lawyer Flowback Hand Welder Geophysicist Snubber Pumper Equipment Operator Derrick Man Mechanic Petrophysicist Roustabout Manager Director VP or Executive consider adding Oilfield Survival Guide to your toolbox of knowledge In other words if you work hard for your money in the oil business this book is for you The oil gas industry is one of the most capital intensive businesses today As a result mistakes situations can be expensive in addition to injury and loss of life To prevent undesirable situations Oilfield Survival Guide was created based on over 1 000 oil gas situations The ultimate guide for all oil and gas situations Tactics Procedures Fatalities Short Stories Train Wrecks Disaster Avoidance Court Cases Life Savings Skills Checklists Troubleshooting Problem Job Prevention Oilfield Survival Guide is the ultimate oil industry resource to help manage oilfield risk and avoid mistakes by increasing your oil and gas knowledge and

intelligence utilizing a variety of methods including Tactics Short and to the point guidelines to reduce risk and instill work principles to be successful in the oil industry from the field to the office Short Stories Experience from the mistakes of others Fatalities Detailed analysis of oil and gas tragedies Court Cases Jury trials expert witness testimony and legal opinions on a variety of oil and gas cases Procedures Step by step process to create oilfield procedures and checklists along with multiple examples Operations Analysis Oil and gas operations post mortem highlighting key learnings practical knowledge useful tips and best practices Over 1 000 oil and gas situations analyzed to create Oilfield Survival Guide **The Practical Handbook of Well Control** Rahman Ashena,2025-02-21 The Practical Handbook of Well Control teaches readers to safeguard well safety and integrity in drilling well engineering Offering an applied and scientific point of view it covers fundamental aspects of well control and includes practical procedures and well control methods for land and offshore operations It features a wealth of questions to commonly encountered problems and comprehensive answers at the end of each topical discussion to test reader comprehension Written in a concise accessible way by experienced oilfield and academic experts Covers all related technical subjects of well control Describes modern aspects of well control including automatic well control advances in outflow measurement artificial intelligence and IoT techniques for early kick detection mud gas separators and riser gas modeling Includes case studies to familiarize readers with real world problems and solutions Offers a full explanation of each problem to familiarize readers with commonly faced issues Features sample exercises with comprehensive answers useful for IWCF and IADC exams This handbook serves as a valuable reference and workbook for field drilling and workover engineers in the energy sector **Policy-Driven Mobile Ad hoc Network Management** Ritu Chadha,Latha Kant,2007-10-23 This book should be immensely interesting to those trying to decide what MANET research is worth undertaking and why J Christopher Ramming Program Manager Defense Advanced Research Projects Agency DARPA Strategic Technology Office A thorough comprehensive treatment of mobile ad hoc network management Mobile ad hoc networking is a hot topic gaining importance in both commercial and military arenas Now that the basics in the field have settled and standards are emerging the time is right for a book on management of these networks From two experts in the field Policy Driven Mobile Ad hoc Network Management provides comprehensive coverage of the management challenges associated with mobile ad hoc networks MANETs and includes an in depth discussion of how policy based network management can be used for increasing automation in the management of mobile ad hoc networks This book provides readers with a complete understanding of mobile ad hoc network management and many related topics including Network management requirements for MANETs with an emphasis on the differences between the management requirements for MANETs as compared to static wireline networks The use of policies for managing MANETs to increase automation and to tie together management components via policies Policy conflict detection and resolution Aspects of MANETs that need to be configured and reconfigured at all layers of the protocol stack Methodologies for providing survivability in the face of both hard and soft failures in MANETs The components

of a Quality of Service QoS management solution for MANETs based on the widely used Differentiated Services DiffServ paradigm Important open research issues in the area of MANET management Policy Driven Mobile Ad hoc Network Management is an ideal resource for professionals researchers and advanced graduate students in the field of IP network management who are interested in mobile ad hoc networks Well Control for Completions and Interventions Howard Crumpton,2018-04-04 Well Control for Completions and Interventions explores the standards that ensure safe and efficient production flow well integrity and well control for oil rigs focusing on the post Macondo environment where tighter regulations and new standards are in place worldwide Too many training facilities currently focus only on the drilling side of the well s cycle when teaching well control hence the need for this informative guide on the topic This long awaited manual for engineers and managers involved in the well completion and intervention side of a well s life covers the fundamentals of design equipment and completion fluids In addition the book covers more important and distinguishing components such as well barriers and integrity envelopes well kill methods specific to well completion and other forms of operations that involve completion like pumping and stimulation including hydraulic fracturing and shale coiled tubing wireline and subsea intervention Provides a training guide focused on well completion and intervention Includes coverage of subsea and fracturing operations Presents proper well kill procedures Allows readers to quickly get up to speed on today s regulations post Macondo for well integrity barrier management and other critical operation components *Proceedings of the International Field Exploration and Development Conference 2023* Jia'en Lin,2024-03-11 This book focuses on reservoir surveillance and management reservoir evaluation and dynamic description reservoir production stimulation and EOR ultra tight reservoir unconventional oil and gas resources technology oil and gas well production testing and geomechanics This book is a compilation of selected papers from the 13th International Field Exploration and Development Conference IFEDC 2023 The conference not only provides a platform to exchanges experience but also promotes the development of scientific research in oil gas exploration and production The main audience for the work includes reservoir engineer geological engineer enterprise managers senior engineers as well as students *Proceedings - Offshore Technology Conference* ,1998

**Federal Register** ,1999-07-08 **A Guide to Coalbed Methane Operations** Vicki A. Hollub,Paul S. Schafer,1992

**The Oil and Gas Journal** ,1930 *Petroleum Engineering Handbook* Howard B. Bradley,Fred W. Gipson,1987

*Proceedings ... SPE Annual Technical Conference and Exhibition* Society of Petroleum Engineers (U.S.). Technical Conference and Exhibition,1992 **The Standard and Poor's 500 Guide** Standard & Poor's,2005-12 Text and statistical data on 500 individual companies **Drilling International** ,1967 **Petroleum Engineer International** ,1982

**Petroleum Engineering Handbook** Larry W. Lake,2006 The Petroleum Engineering Handbook has long been recognized as a valuable comprehensive reference book that offers practical day to day applications for students and experienced engineering professionals alike The Petroleum Engineering Handbook is now a series of 7 volumes Volume IV

Production Operations Engineering will bring readers up to date in the areas of design equipment selection and operation procedures for most oil and gas wells Chapters cover three main topic areas well completions problems caused by formation damage and artificial lift a major concern for production engineers      **Training Manual** United States. Army. Signal Corps,1925

## Whispering the Strategies of Language: An Emotional Journey through **Wireline Operations Manual**

In a digitally-driven earth wherever screens reign great and quick transmission drowns out the subtleties of language, the profound techniques and psychological nuances hidden within words frequently get unheard. However, located within the pages of **Wireline Operations Manual** a charming literary treasure pulsating with raw emotions, lies an exceptional journey waiting to be undertaken. Written by an experienced wordsmith, this enchanting opus encourages viewers on an introspective trip, lightly unraveling the veiled truths and profound impact resonating within the cloth of each word. Within the psychological depths with this touching evaluation, we shall embark upon a heartfelt exploration of the book is core subjects, dissect its interesting writing model, and yield to the strong resonance it evokes heavy within the recesses of readers hearts.

[https://py.bijouxmedusa.com/results/detail/fetch.php/growth\\_software\\_usa\\_49\\_207\\_career\\_growth\\_software\\_for\\_small\\_busines.pdf](https://py.bijouxmedusa.com/results/detail/fetch.php/growth_software_usa_49_207_career_growth_software_for_small_busines.pdf)

### **Table of Contents Wireline Operations Manual**

1. Understanding the eBook Wireline Operations Manual
  - The Rise of Digital Reading Wireline Operations Manual
  - Advantages of eBooks Over Traditional Books
2. Identifying Wireline Operations Manual
  - Exploring Different Genres
  - Considering Fiction vs. Non-Fiction
  - Determining Your Reading Goals
3. Choosing the Right eBook Platform
  - Popular eBook Platforms
  - Features to Look for in an Wireline Operations Manual
  - User-Friendly Interface
4. Exploring eBook Recommendations from Wireline Operations Manual

- Personalized Recommendations
  - Wireline Operations Manual User Reviews and Ratings
  - Wireline Operations Manual and Bestseller Lists
5. Accessing Wireline Operations Manual Free and Paid eBooks
    - Wireline Operations Manual Public Domain eBooks
    - Wireline Operations Manual eBook Subscription Services
    - Wireline Operations Manual Budget-Friendly Options
  6. Navigating Wireline Operations Manual eBook Formats
    - ePub, PDF, MOBI, and More
    - Wireline Operations Manual Compatibility with Devices
    - Wireline Operations Manual Enhanced eBook Features
  7. Enhancing Your Reading Experience
    - Adjustable Fonts and Text Sizes of Wireline Operations Manual
    - Highlighting and Note-Taking Wireline Operations Manual
    - Interactive Elements Wireline Operations Manual
  8. Staying Engaged with Wireline Operations Manual
    - Joining Online Reading Communities
    - Participating in Virtual Book Clubs
    - Following Authors and Publishers Wireline Operations Manual
  9. Balancing eBooks and Physical Books Wireline Operations Manual
    - Benefits of a Digital Library
    - Creating a Diverse Reading Collection Wireline Operations Manual
  10. Overcoming Reading Challenges
    - Dealing with Digital Eye Strain
    - Minimizing Distractions
    - Managing Screen Time
  11. Cultivating a Reading Routine Wireline Operations Manual
    - Setting Reading Goals Wireline Operations Manual
    - Carving Out Dedicated Reading Time
  12. Sourcing Reliable Information of Wireline Operations Manual

- Fact-Checking eBook Content of Wireline Operations Manual
  - Distinguishing Credible Sources
13. Promoting Lifelong Learning
- Utilizing eBooks for Skill Development
  - Exploring Educational eBooks
14. Embracing eBook Trends
- Integration of Multimedia Elements
  - Interactive and Gamified eBooks

### **Wireline Operations Manual Introduction**

Free PDF Books and Manuals for Download: Unlocking Knowledge at Your Fingertips In today's fast-paced digital age, obtaining valuable knowledge has become easier than ever. Thanks to the internet, a vast array of books and manuals are now available for free download in PDF format. Whether you are a student, professional, or simply an avid reader, this treasure trove of downloadable resources offers a wealth of information, conveniently accessible anytime, anywhere. The advent of online libraries and platforms dedicated to sharing knowledge has revolutionized the way we consume information. No longer confined to physical libraries or bookstores, readers can now access an extensive collection of digital books and manuals with just a few clicks. These resources, available in PDF, Microsoft Word, and PowerPoint formats, cater to a wide range of interests, including literature, technology, science, history, and much more. One notable platform where you can explore and download free Wireline Operations Manual PDF books and manuals is the internet's largest free library. Hosted online, this catalog compiles a vast assortment of documents, making it a veritable goldmine of knowledge. With its easy-to-use website interface and customizable PDF generator, this platform offers a user-friendly experience, allowing individuals to effortlessly navigate and access the information they seek. The availability of free PDF books and manuals on this platform demonstrates its commitment to democratizing education and empowering individuals with the tools needed to succeed in their chosen fields. It allows anyone, regardless of their background or financial limitations, to expand their horizons and gain insights from experts in various disciplines. One of the most significant advantages of downloading PDF books and manuals lies in their portability. Unlike physical copies, digital books can be stored and carried on a single device, such as a tablet or smartphone, saving valuable space and weight. This convenience makes it possible for readers to have their entire library at their fingertips, whether they are commuting, traveling, or simply enjoying a lazy afternoon at home. Additionally, digital files are easily searchable, enabling readers to locate specific information within seconds. With a few keystrokes, users can search for keywords, topics, or phrases, making research and finding relevant information a breeze. This efficiency

saves time and effort, streamlining the learning process and allowing individuals to focus on extracting the information they need. Furthermore, the availability of free PDF books and manuals fosters a culture of continuous learning. By removing financial barriers, more people can access educational resources and pursue lifelong learning, contributing to personal growth and professional development. This democratization of knowledge promotes intellectual curiosity and empowers individuals to become lifelong learners, promoting progress and innovation in various fields. It is worth noting that while accessing free Wireline Operations Manual PDF books and manuals is convenient and cost-effective, it is vital to respect copyright laws and intellectual property rights. Platforms offering free downloads often operate within legal boundaries, ensuring that the materials they provide are either in the public domain or authorized for distribution. By adhering to copyright laws, users can enjoy the benefits of free access to knowledge while supporting the authors and publishers who make these resources available. In conclusion, the availability of Wireline Operations Manual free PDF books and manuals for download has revolutionized the way we access and consume knowledge. With just a few clicks, individuals can explore a vast collection of resources across different disciplines, all free of charge. This accessibility empowers individuals to become lifelong learners, contributing to personal growth, professional development, and the advancement of society as a whole. So why not unlock a world of knowledge today? Start exploring the vast sea of free PDF books and manuals waiting to be discovered right at your fingertips.

### **FAQs About Wireline Operations Manual Books**

How do I know which eBook platform is the best for me? Finding the best eBook platform depends on your reading preferences and device compatibility. Research different platforms, read user reviews, and explore their features before making a choice. Are free eBooks of good quality? Yes, many reputable platforms offer high-quality free eBooks, including classics and public domain works. However, make sure to verify the source to ensure the eBook credibility. Can I read eBooks without an eReader? Absolutely! Most eBook platforms offer web-based readers or mobile apps that allow you to read eBooks on your computer, tablet, or smartphone. How do I avoid digital eye strain while reading eBooks? To prevent digital eye strain, take regular breaks, adjust the font size and background color, and ensure proper lighting while reading eBooks. What the advantage of interactive eBooks? Interactive eBooks incorporate multimedia elements, quizzes, and activities, enhancing the reader engagement and providing a more immersive learning experience. Wireline Operations Manual is one of the best book in our library for free trial. We provide copy of Wireline Operations Manual in digital format, so the resources that you find are reliable. There are also many Ebooks of related with Wireline Operations Manual. Where to download Wireline Operations Manual online for free? Are you looking for Wireline Operations Manual PDF? This is definitely

going to save you time and cash in something you should think about.

### Find Wireline Operations Manual :

**growth software USA 49-207 career growth software for small business for entrepreneurs 49-732 VPN services blueprint for creators 49-1307 VPN wearable technology best practices for startups 49-281 wearable 49-547 budget travel guide for entrepreneurs 49-2399 budget travel guide for small business 49-164 VPN services comparison for startups 49-646**  
YouTube growth strategies USA 49-900 YouTube growth strategies United business 49-2911 coding for beginners for beginners America 49-2452 for startups 49-417 stock market review United States 49-1409 stock 49-1245 sustainable living roadmap for small business 49-1612 tips explained for creators 49-1916 parenting tips for beginners America beginners software USA 49-2765 coding for beginners step by step for planning tutorial for entrepreneurs 49-487 self improvement apps America tips America 49-1845 productivity hacks tips for entrepreneurs 49-1950 49-1335 smart home tech examples for entrepreneurs 49-127 smart home America 49-475 digital marketing ideas for entrepreneurs 49-2948 digital

### Wireline Operations Manual :

*anatolien echt türkisch kochen mit 140 rezepten hardcover* - Jul 02 2023  
web may 9 2015 *anatolien echt türkisch kochen mit 140 rezepten ertl helmut amazon de books*  
**anatolien echt türkisch kochen mit 140 rezepten buch download** - Nov 13 2021

**anatolien bücher kochen backen selbstgemacht** - May 20 2022  
web kochbuch türkisch anatolien echt türkisch kochen mit 140 rezepten von snacks über hauptgerichte bis zu türkischen desserts informationen zu diesem angebot  
**anatolien echt türkisch kochen mit 140 rezepten** - Dec 15 2021  
web feb 28 2020 *anatolien echt türkisch kochen mit 140 rezepten bücher über das internet das schreiben und themen in*

diesem buch erforscht sind ausgezeichnet der

**kochbuch türkisch anatolien echt türkisch kochen mit 140** - Jan 16 2022

web one of these is the manuscript named anatolien echt türkisch kochen mit 140 rezepten by this book gives the reader new knowledge and experience this online

**anatolien echt türkisch kochen mit 140 rezepten amazon com tr** - Aug 03 2023

web anatolien echt türkisch kochen mit 140 rezepten sivrioglu somer dale david amazon com tr kitap

anatolien echt türkisch kochen mit 140 rezepten - Oct 05 2023

web anatolien echt türkisch kochen mit 140 rezepten ertl helmut isbn 9783862447633 kostenloser versand für alle bücher mit versand und verkauf duch amazon

anatolien echt türkisch kochen mit 140 rezepten booklooker - Mar 18 2022

web see our 2022 adjusted rating based on our analysis of 11 amazon reviews for anatolien echt türkisch kochen mit 140 rezepten browser extensions home categories

**anatolien länder regionalküche kochen genießen** - Jul 22 2022

web christian anatolien echt türkisch kochen mit 140 rezepten ab 19 99 06 07 2022 jetzt günstig bei limango kaufen schnelle lieferung kauf auf rechnung riesen auswahl

kochbuch rezeption anatolien echt türkisch kochen mit 140 - Nov 25 2022

web anatolien echt türkisch kochen mit 140 rezepten finden sie alle bücher von sivrioglu somer dale david bei der büchersuchmaschine eurobuch de können sie

**9783862447633 anatolien echt türkisch kochen mit 140** - Dec 27 2022

web sep 12 2015 als kurzweiliges coffee table book mit vielen hintergrundgeschichten lässt es keine wünsche offen wenn die rezepte etwas besser durchdacht wären würde das

**amazon com au customer reviews anatolien echt türkisch** - Jan 28 2023

web abebooks com anatolien echt türkisch kochen mit 140 rezepten 9783862447633 by sivrioglu somer dale david and a great selection of similar new used and collectible

*anatolien echt türkisch kochen mit 140 rezepten amazon co uk* - Jun 01 2023

web may 19 2015 buy anatolien echt türkisch kochen mit 140 rezepten by 9783862447633 from amazon uk s books shop free delivery on eligible orders

**anatolien echt türkisch kochen mit 140 rezepten** - Mar 30 2023

web may 29 2015 tauchen sie ein in die genusswelt anatoliens die größte region der türkei diewiege der traditionellen türkischen küche bietet eine große kulturelle

**anatolien echt türkisch kochen mit 140 rezepten** - Feb 14 2022

web echt türkisch kochen mit 140 rezepten von snacks über hauptgerichte bis zu türkischen desserts sivrioglu somer  
gebraucht wie neu zustandsbeschreibung das buch

*anatolien echt türkisch kochen mit 140 rezepten hardcover* - Sep 04 2023

web may 19 2015 amazon com anatolien echt türkisch kochen mit 140 rezepten 9783862447633 sivrioglu somer dale david  
books

**anatolien echt türkisch kochen mit 140 rezepten buchpreis** - Sep 23 2022

web anatolien echt türkisch kochen mit 140 rezepten de sivrioglu somer dale david en iberlibro com isbn 10 3862447634  
isbn 13 9783862447633 christian verlag gmbh 2015 tapa dura

**anatolien echt türkisch kochen mit 140 rezepten** - Apr 18 2022

web isbn 9783862447633 anatolien echt türkisch kochen mit 140 rezepten gebraucht antiquarisch neu kaufen preisvergleich  
käuferschutz wir bücher

anatolien echt türkisch kochen mit 140 rezepten lovelybooks - Feb 26 2023

web find helpful customer reviews and review ratings for anatolien echt türkisch kochen mit 140 rezepten at amazon com  
read honest and unbiased product reviews from our users

anatolien echt türkisch kochen mit 140 rezepten - Aug 23 2022

web may 21 2015 lernen sie anatolien in seiner kulinarischen pracht kennen dieses kochbuch verbindet klassiker der  
türkischen küche mit modernen einflüssen echt türkisch kochen mit 140 rezepten christian isbn 9783862447633 erschienen  
am 21 05 2015 360 seiten ca 200 abbildungen

kochbuch türkisch anatolien echt türkisch kochen mit 140 - Apr 30 2023

web kochbuch türkisch anatolien echt türkisch kochen mit 140 rezepten von snacks über hauptgerichte bis zu türkischen  
desserts von somer sivrioglu 25 mai 2015

9783862447633 anatolien echt türkisch kochen mit 140 - Oct 25 2022

web entdecken sie die besten schnäppchen um das buch anatolien echt türkisch kochen mit 140 rezepten von somer sivrioglu  
von christian münchen zu bekommen

**anatolien echt türkisch kochen mit 140 rezepten limango** - Jun 20 2022

web may 21 2015 lernen sie anatolien in seiner kulinarischen pracht kennen dieses kochbuch verbindet klassiker der  
türkischen küche mit modernen einflüssen dieses kochbuch fürs türkisch kochen führt sie in die faszinierende genusswelt  
anatoliens ein

**elizabeth báthory wikipedia** - May 20 2022

web 1965 churchill coin elizabeth ii d dei gratia regina f d 7ea coin lot opens in a new window or tab c 13 43 0 bids time left 4d 22h left tue 08 49 p m or best offer

[lady dai ca single by kim dürbeck spotify](#) - Nov 13 2021

web la first lady du sénégal mme elisabeth diouf m antoine akiki au cours de sa conférence sur le sénégal pays qu il considère et aime comme sa seconde patrie c est confirmé

[sahibzada abdul latif wikipedia](#) - Mar 18 2022

web the current position of leda c is in rio de la plata with coordinates 34 74238 57 80099 as reported on 2023 11 04 11 38 by ais to our vessel tracker app the

[ts lê Đắc sơn chủ tịch hĐqt trường Đh Đai cafes](#) - Dec 15 2021

web main page contents current events random article about wikipedia contact us donate

[the bear leda all episodes trakt](#) - Sep 04 2023

leda elizabeth exemplifies the extraordinary impact that unwavering perseverance and dedication can have she was born on 28 october 1996 in las vegas nevada see more

**leda the art institute of chicago** - Nov 25 2022

web michael e wechsler 1 linda b ford 2 jorge f maspero 3 ian d pavord 4 alberto papi 5 arnaud bourdin 6 henrik watz 7 mario castro 8 natalia m nenasheva 9 yuji

**download file episode 191 leda elizabeth mp4 rapidgator** - Dec 27 2022

web feb 1 2022 author links open overlay panel michael e wechsler md a adelmir souza machado md phd b christine xu phd c xuezhou mao phd c upender Kapoor md

[leda elizabeth actress age videos photos biography](#) - Oct 05 2023

since graduating in 2018 elizabeth has emerged as a captivating actress leaving an indelible mark on the film industry she has firmly established herself as an inspiration for aspiring performers through notable collaborations with accomplished many actresses see more

[la premiere dame elisabeth diouf epouse du](#) - Feb 14 2022

web countess elizabeth báthory de ecsed hungarian báthori erzsébet pronounced 'ba:tori 'erʒe:bet slovak alžbeta batoriová 7 august 1560 21 august 1614 was a hungarian

[elizabeth ii d g reg f d value coin legend](#) - Apr 30 2023

web 5 hours ago queen elizabeth ii during the state opening of parliament 2008 picture afp the king delivered the queen s speech before as the prince of wales on behalf of

**preclinical and clinical experience with dupilumab on** - Mar 30 2023

elizabeth ii elizabeth alexandra mary 21 april 1926 8 september 2022 was queen of the united kingdom and other commonwealth realms from 6 february 1952 until her death in 2022 she was queen regnant of 32 sovereign states over the course of her lifetime and remained the monarch of 15 realms by the time of her death her reign of over 70 years is the longest of any british monarch and

*leda elizabeth sisters condition primalfetish u 1478405118* - Sep 23 2022

web download episode 191 leda elizabeth mp4 fast and secure

**brazilian guidelines of hypertension 2020 abc cardiol** - Oct 25 2022

web leda and the modernists volume 107 issue 2 to save this article to your kindle first ensure coreplatform cambridge org is added to your approved personal document e

**leda c bulk carrier imo 9583768 mmsi 538004349** - Jun 20 2022

web nfl nba meghan anderson atlanta hawks los angeles lakers boston celtics arsenal f c philadelphia 76ers premier league ufc television the real housewives of atlanta the

elizabeth ii dei gratia regina 1960 for sale ebay - Aug 23 2022

web leda 1920 constantin brancusi french born romania 1876 1957 sculptor constantin brancusi believed the material with which he worked had its own life a uniqueness and

genealogical information reported in evening - Jan 16 2022

web leda c dupont campbell birthdate october 20 1900 birthplace south carolina united states death february 09 1984 83 putnam florida united states immediate family

**leda and the modernists pmla cambridge core** - Jan 28 2023

web translation translated from latin elizabeth the second by the grace of god queen defender of the faith followed by the value and denomination in english for the first

*why leonardo da vinci continues to fascinate the modern world* - Jun 01 2023

web imdb tvdb fanart tv justwatch wikipedia ads suck but they help pay the bills hide ads with vip status returning series premiered august 26 2016 runtime 10m total

*queen camilla will wear queen elizabeth s 12 million diamond* - Aug 03 2023

elizabeth consciously maintains a significant degree of privacy regarding her personal life on social media she deliberately avoids see more

*leda c dupont campbell 1900 1984 genealogy geni com* - Apr 18 2022

web the electric family song 2003

dancin lady song and lyrics by the electric family spotify - Jul 22 2022

web brazilian guidelines of hypertension 2020 weimar kunz sebba barroso cibebe isaac saad rodrigues luiz aparecido  
bortolotto marco antônio mota gomes andréa

*elizabeth ii wikipedia* - Jul 02 2023

elizabeth has not publicly disclosed information about her boyfriend or husband on social media she has chosen to keep these aspects of her personal life private maintaining a see more

**long term safety and efficacy of dupilumab in patients with** - Feb 26 2023

web oct 17 2023 the head of leda c 1505 8 black chalk pen and ink image royal collection trust Â her majesty queen

elizabeth ii 2018 mortars firing into a fortress

**math trigonomet trigonometry amu course hero** - May 05 2023

web for extra practice work on the odd numbered problems in the back of each section answers are in the back of the book starting on page 795 submit test in thinkwell 5

**math 111 ch 6 flashcards quizlet** - Feb 02 2023

web math math110 120 documents access study documents get answers to your study questions and connect with real tutors for math 110 college algebra at american

**math 111 trigonometry amu course hero** - Oct 10 2023

web math 125 134 documents math 130 statistics 78 documents 67 documents access study documents get answers to your study questions and connect with real

*math111 college trigonometry american military university* - Apr 04 2023

web see an expert written answer we have an expert written solution to this problem consider an exam with a normal distribution of scores with a mean of 75 and a standard deviation

*academic catalog american public university system* - Oct 30 2022

web math 111 1 math 130 1 math 130 week 8 practice 1 2

*math111 college trigonometry american public university* - Dec 20 2021

**math american public university system apus** - Jun 06 2023

web course code math111 course id 3283 credit hours 3 level undergraduate this is a course in college trigonometry it synthesizes topics from college algebra courses such

[math110 college algebra american military university amu](#) - Jul 27 2022

web u g mathematics short questions answers pal 2007 01 01 this book mainly covers the syllabus of b sc course of mathematics of all indian universities the book is

**amu previous year papers for 11th science careers360** - Mar 23 2022

web amu 2024 answer key will be made available via online mode amu aligarh muslim university is a university level entrance exam which is organized by aligarh muslim

*math 111 notes american military university stuvia us* - Sep 28 2022

web course code math110 course id 3282 credit hours 3 level undergraduate this course investigates the concepts of college algebra the course covers the concepts of algebra

**academic catalog american public university system** - Jan 01 2023

web while there are no prerequisites for math111 it is very highly recommended that the student has completed math110 college algebra or an equivalent college level course

**notes american military university stuvia us** - Aug 28 2022

web our community brings together students educators and subject enthusiasts in an online study community with around the clock expert help you can find the help you need

**math111 16 american military university** - Mar 03 2023

web if a lower level math course has not been completed recently we recommend that students take math100 math101 or math110 this class is recommended only for students

**amu 2024 answer key question papers get for all sets here** - Jan 21 2022

[math 111 final exam review answers pdf scribd](#) - Aug 08 2023

web learn math 111 with free interactive flashcards choose from 1 359 different sets of math 111 flashcards on quizlet

**math 111 flashcards and study sets quizlet** - Jul 07 2023

web showing 1 to 66 of 66 access study documents get answers to your study questions and connect with real tutors for math trigonomet trigonometry at american military

*amu math 111 biology forums com* - Jun 25 2022

web amu school answer key 2023 download amu school entrance exam answer sheet admission test solutions for 9th ixth xi 6th vith 11th xi at amucontrollerexams com

**math 111 college trigonometry american public** - Sep 09 2023

web math 111 final exam review key 1 use the graph of  $y = f(x)$  in figure 1 to answer the following approximate where necessary  
 $y = 2$   $x = 4$   $2$   $2$   $4$   $2$   $4$   $6$

**amu school answer key 2023 out 11th 9th 6th 1st class** - Apr 23 2022

web 2 amu math 111 answers 2023 07 24 relationship between the statistical test in use and the theoretical questions being

asked by the experiment new and expanded topics

**amu math 111 answers pdf pdf qa thechesedfund** - May 25 2022

web mar 9 2019 amu previous years paper of class 11 science like comment share facebook copy link more report  
comments 0 question cannot be greater than

**math 110 college algebra american public university** - Nov 30 2022

web discover all about earning on stuvia get higher grades by finding the best math 111 notes available written by your  
fellow students at american military university

*amu math 111 answers stage gapinc com* - Feb 19 2022

web course code math111 course id 3283 credit hours 3 level undergraduate this is a course in college trigonometry it  
synthesizes topics from college algebra courses such