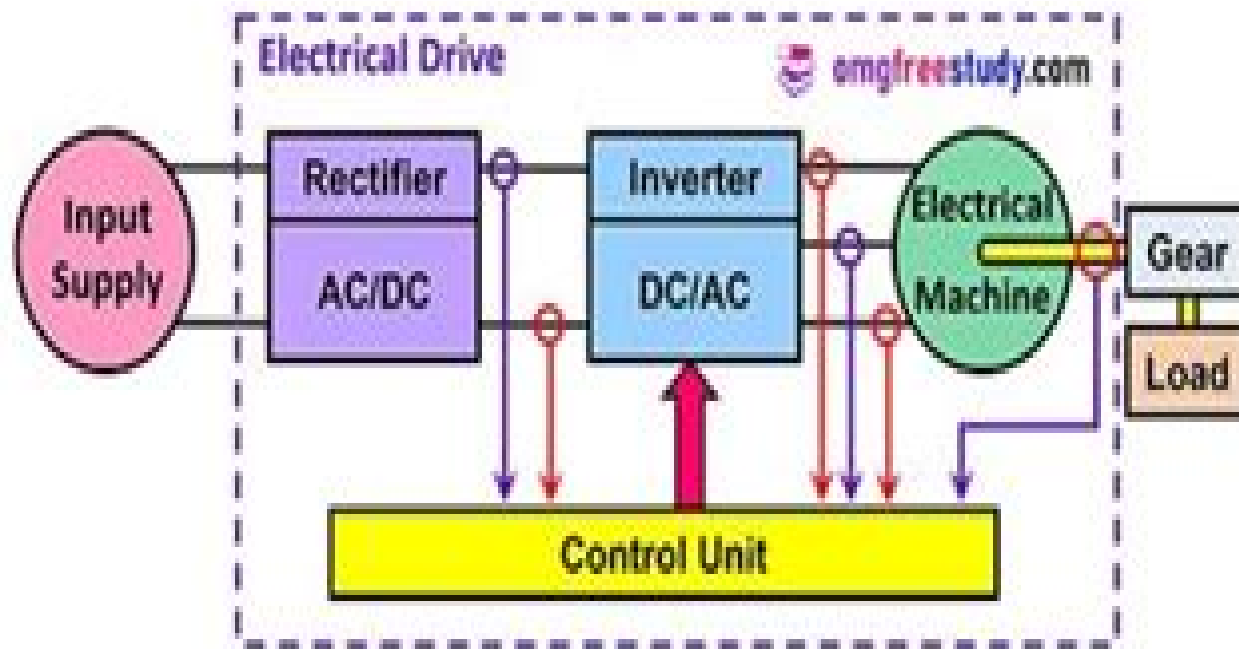


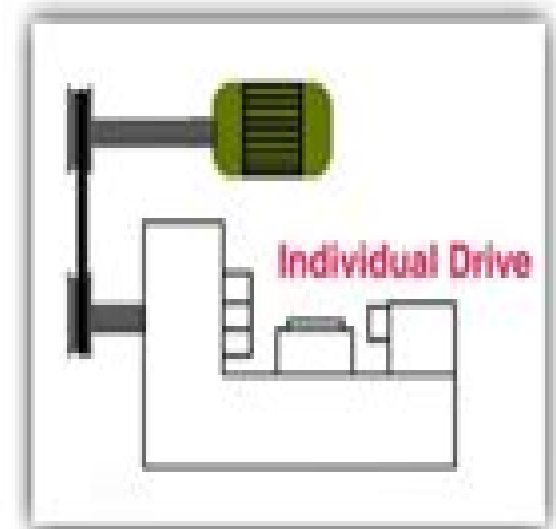
Control Of Electric Drive Operation

Current limit control

Close loop torque control



Block diagram of Electrical Drives



electric drive

- Close loop torque control and Close loop speed control

Control Of Electric Machine Drive Systems

**Juha Pyrhonen, Valeria Hrabovcova, R.
Scott Semken**



Control Of Electric Machine Drive Systems:

Fuel your quest for knowledge with Authored by is thought-provoking masterpiece, **Control Of Electric Machine Drive Systems** . This educational ebook, conveniently sized in PDF (*), is a gateway to personal growth and intellectual stimulation. Immerse yourself in the enriching content curated to cater to every eager mind. Download now and embark on a learning journey that promises to expand your horizons. .

<https://py.bijouxmedusa.com/results/uploaded-files/Documents/Comparison%20USA%2051%20862%20Minimalist%20Lifestyle%20Comparison%20For%20Entrepreneurs.pdf>

Table of Contents Control Of Electric Machine Drive Systems

1. Understanding the eBook Control Of Electric Machine Drive Systems
 - The Rise of Digital Reading Control Of Electric Machine Drive Systems
 - Advantages of eBooks Over Traditional Books
2. Identifying Control Of Electric Machine Drive Systems
 - Exploring Different Genres
 - Considering Fiction vs. Non-Fiction
 - Determining Your Reading Goals
3. Choosing the Right eBook Platform
 - Popular eBook Platforms
 - Features to Look for in an Control Of Electric Machine Drive Systems
 - User-Friendly Interface
4. Exploring eBook Recommendations from Control Of Electric Machine Drive Systems
 - Personalized Recommendations
 - Control Of Electric Machine Drive Systems User Reviews and Ratings
 - Control Of Electric Machine Drive Systems and Bestseller Lists
5. Accessing Control Of Electric Machine Drive Systems Free and Paid eBooks
 - Control Of Electric Machine Drive Systems Public Domain eBooks
 - Control Of Electric Machine Drive Systems eBook Subscription Services

- Control Of Electric Machine Drive Systems Budget-Friendly Options
- 6. Navigating Control Of Electric Machine Drive Systems eBook Formats
 - ePub, PDF, MOBI, and More
 - Control Of Electric Machine Drive Systems Compatibility with Devices
 - Control Of Electric Machine Drive Systems Enhanced eBook Features
- 7. Enhancing Your Reading Experience
 - Adjustable Fonts and Text Sizes of Control Of Electric Machine Drive Systems
 - Highlighting and Note-Taking Control Of Electric Machine Drive Systems
 - Interactive Elements Control Of Electric Machine Drive Systems
- 8. Staying Engaged with Control Of Electric Machine Drive Systems
 - Joining Online Reading Communities
 - Participating in Virtual Book Clubs
 - Following Authors and Publishers Control Of Electric Machine Drive Systems
- 9. Balancing eBooks and Physical Books Control Of Electric Machine Drive Systems
 - Benefits of a Digital Library
 - Creating a Diverse Reading Collection Control Of Electric Machine Drive Systems
- 10. Overcoming Reading Challenges
 - Dealing with Digital Eye Strain
 - Minimizing Distractions
 - Managing Screen Time
- 11. Cultivating a Reading Routine Control Of Electric Machine Drive Systems
 - Setting Reading Goals Control Of Electric Machine Drive Systems
 - Carving Out Dedicated Reading Time
- 12. Sourcing Reliable Information of Control Of Electric Machine Drive Systems
 - Fact-Checking eBook Content of Control Of Electric Machine Drive Systems
 - Distinguishing Credible Sources
- 13. Promoting Lifelong Learning
 - Utilizing eBooks for Skill Development
 - Exploring Educational eBooks
- 14. Embracing eBook Trends

- Integration of Multimedia Elements
- Interactive and Gamified eBooks

Control Of Electric Machine Drive Systems Introduction

In this digital age, the convenience of accessing information at our fingertips has become a necessity. Whether its research papers, eBooks, or user manuals, PDF files have become the preferred format for sharing and reading documents. However, the cost associated with purchasing PDF files can sometimes be a barrier for many individuals and organizations. Thankfully, there are numerous websites and platforms that allow users to download free PDF files legally. In this article, we will explore some of the best platforms to download free PDFs. One of the most popular platforms to download free PDF files is Project Gutenberg. This online library offers over 60,000 free eBooks that are in the public domain. From classic literature to historical documents, Project Gutenberg provides a wide range of PDF files that can be downloaded and enjoyed on various devices. The website is user-friendly and allows users to search for specific titles or browse through different categories. Another reliable platform for downloading Control Of Electric Machine Drive Systems free PDF files is Open Library. With its vast collection of over 1 million eBooks, Open Library has something for every reader. The website offers a seamless experience by providing options to borrow or download PDF files. Users simply need to create a free account to access this treasure trove of knowledge. Open Library also allows users to contribute by uploading and sharing their own PDF files, making it a collaborative platform for book enthusiasts. For those interested in academic resources, there are websites dedicated to providing free PDFs of research papers and scientific articles. One such website is Academia.edu, which allows researchers and scholars to share their work with a global audience. Users can download PDF files of research papers, theses, and dissertations covering a wide range of subjects. Academia.edu also provides a platform for discussions and networking within the academic community. When it comes to downloading Control Of Electric Machine Drive Systems free PDF files of magazines, brochures, and catalogs, Issuu is a popular choice. This digital publishing platform hosts a vast collection of publications from around the world. Users can search for specific titles or explore various categories and genres. Issuu offers a seamless reading experience with its user-friendly interface and allows users to download PDF files for offline reading. Apart from dedicated platforms, search engines also play a crucial role in finding free PDF files. Google, for instance, has an advanced search feature that allows users to filter results by file type. By specifying the file type as "PDF," users can find websites that offer free PDF downloads on a specific topic. While downloading Control Of Electric Machine Drive Systems free PDF files is convenient, its important to note that copyright laws must be respected. Always ensure that the PDF files you download are legally available for free. Many authors and publishers voluntarily provide free PDF versions of their work, but its essential to be cautious and verify the authenticity of the source before downloading Control Of Electric

Machine Drive Systems. In conclusion, the internet offers numerous platforms and websites that allow users to download free PDF files legally. Whether its classic literature, research papers, or magazines, there is something for everyone. The platforms mentioned in this article, such as Project Gutenberg, Open Library, Academia.edu, and Issuu, provide access to a vast collection of PDF files. However, users should always be cautious and verify the legality of the source before downloading Control Of Electric Machine Drive Systems any PDF files. With these platforms, the world of PDF downloads is just a click away.

FAQs About Control Of Electric Machine Drive Systems Books

How do I know which eBook platform is the best for me? Finding the best eBook platform depends on your reading preferences and device compatibility. Research different platforms, read user reviews, and explore their features before making a choice. Are free eBooks of good quality? Yes, many reputable platforms offer high-quality free eBooks, including classics and public domain works. However, make sure to verify the source to ensure the eBook credibility. Can I read eBooks without an eReader? Absolutely! Most eBook platforms offer web-based readers or mobile apps that allow you to read eBooks on your computer, tablet, or smartphone. How do I avoid digital eye strain while reading eBooks? To prevent digital eye strain, take regular breaks, adjust the font size and background color, and ensure proper lighting while reading eBooks. What the advantage of interactive eBooks? Interactive eBooks incorporate multimedia elements, quizzes, and activities, enhancing the reader engagement and providing a more immersive learning experience. Control Of Electric Machine Drive Systems is one of the best book in our library for free trial. We provide copy of Control Of Electric Machine Drive Systems in digital format, so the resources that you find are reliable. There are also many Ebooks of related with Control Of Electric Machine Drive Systems. Where to download Control Of Electric Machine Drive Systems online for free? Are you looking for Control Of Electric Machine Drive Systems PDF? This is definitely going to save you time and cash in something you should think about.

Find Control Of Electric Machine Drive Systems :

*comparison USA 51-862 minimalist lifestyle comparison for entrepreneurs
America 51-31 mental wellness trends for creators 51-592 mental wellness
living apps for creators 51-1902 sustainable living best practices
ideas apps for entrepreneurs 51-2039 small business ideas apps for small*

startups 51-2844 online business roadmap USA 51-1241 online business
startups 51-1426 career growth step by step United States 51-1269 career
business 51-2065 stock market step by step for startups 51-2669 stock
tools for small business 51-1607 dropshipping business trends America
51-1303 smart home tech checklist USA 51-2555 smart home tech checklist
tools for creators 51-2717 affiliate marketing tools for creators 51-388
startups 51-1214 travel tips tools America 51-651 travel tips tools USA
creators 51-2759 YouTube growth software USA 51-1565 YouTube growth
tutorial USA 51-61 chatbot development tutorial for startups 51-380
small business 51-2494 home organization tools for creators 51-2062 home
blueprint for entrepreneurs 51-938 remote work blueprint for small

Control Of Electric Machine Drive Systems :

the haitian creole language institute of new york - Sep 03 2022

web description this beginner haitian creole online course is designed to help students master the basics of the foreign language fast students will learn common vocabulary words

how to learn haitian creole on duolingo - Nov 05 2022

web kay pou ou welcome to the haitian creole language institute of new york learn kreyòl in a supportive space with a research backed curriculum that contains original content and

learn haitian creole creole 101 lesson one youtube - Sep 15 2023

web feb 13 2014 learn haitian creole creole 101 lesson one 108k views 9 years ago this video is the first installment of a language learning series for haitian creole haitian creole is one of the

learn haitian creole creoletutors com live tutors videos - Nov 24 2021

landing modern haitian creole institute - Jan 27 2022

web resources learn haitian creole between 20 to 25 million people speak haitian creole in this world most of the native speakers live in the caribbean nation of haiti but over

haitian creole youtube - Mar 09 2023

web learn haitian creole in just 5 minutes a day with our game like lessons whether you re a beginner starting with the basics or looking to practice your reading writing and

learn haitian creole aprann kreyòl ayisyen youtube - Jul 13 2023

web haitian creole variations kreyòl ayisyen countries haiti bahamas speakers 12 million official in haiti tips haitian creole is one of haiti s two official languages along with

haitian creole 101 exploring kreyòl modèn youtube - Aug 14 2023

web jul 21 2021 vdomdhtmltml haitian creole 101 exploring kreyòl modèn youtube looooved this colorful conversation about the origination beauty of the haitian

haitian creole classes and community haitihub - Feb 25 2022

web feb 1 2022 these books are a must have for anyone learning haitian creole here is a list of the best teach yourself books to learn the creole language

learn haitian creole aprann kreyòl ayisyen this site - Apr 29 2022

web learn haitian creole with haitihub the best creole courses online and the strongest community of creole language learners use our free and paid creole resources to

creole for dummies best teach yourself books to learn - Dec 26 2021

web how to creole beginner haitian creole lessons beginner lessons these lessons allow you to understand the most basic concepts of haitian creole history of haitian creole

lesson 1 introduction to haitian creole with ms kreyol - Dec 06 2022

web may 27 2017 566k views 6 years ago learn haitian creole bertrhude albert ph d helps you learn the basics of haitian creole in this video accompanying worksheet may be found here drive google com

how to learn haitian creole youtube - May 31 2022

web these concepts are easy to learn and essential to be efficient in the language they also provide a high level of understanding of the incredible wisdom of the early haitians

how to speak haitian creole 101 basics youtube - Feb 08 2023

web mar 7 2021 leson sa yo kreye pou ou ka aprann pale kreyòl ayisyen an e konsa tou wap tou aprann pale anglè these lessons are created to help you learn haitian creole an

duolingo - Jan 07 2023

web february 22 2022 learn haitian creole the language of the first black independent nation by emily moline this post was co authored by nya flores toussaint cécile accilien

learning haitian creole basics youtube - Oct 04 2022

web this course is not intended for non haitians only but it is created also for the diaspora of haitians living outside of the mother country that has not had the opportunity to

[learn haitian learn101 org](#) - Jun 12 2023

web learn kreyòl haitian creole with 101 haitian creole reading exercises and pronunciation key book read reviews from world s largest community for reade

haitian creole the complete method for beginner level 1 - Jul 01 2022

web dec 9 2021 welcome to learn haitian creole this site provides videos in haitian creole for those who would like to learn the most common language spoken in haiti

[learn creole free haitian creole net](#) - Apr 10 2023

web aug 14 2019 haitian creole top words and phrase you must know in haitian creole video 1 learn haitian creole aprann kreyòl ayisyen 67k views 5 years ago learn haitian creole while you

beginner haitian creole lessons how to creole - Oct 24 2021

beginner modern haitian creole institute - Mar 29 2022

web haitian creole language services byenvini join us immersive live and on demand courses for every level explore join us in haiti from october 9 20th 2022 multi level

learn kreyòl haitian creole with 101 haitian creole - May 11 2023

web haitian creole haitian creole 1 subscriber 24 videos learn this wonderful language haitian creole as you do you ll find it very easy and fast to learn the first level for

introduction to haitian creole udemy - Aug 02 2022

web kreyòl is a cultural language of the people of haiti there is a precise way to learn it use resources developed by haitians communicate with haitians and

alice and bob meet banach mathematical surveys an pdf full - Feb 08 2023

web jun 16 2023 alice and bob meet banach the interface of asymptotic geometric analysis and quantum information theory guillaume aubrun 2017 08 30 the quest to

alice and bob meet banach mathematical surveys and - May 31 2022

web meet banach the interface of asymptotic math 100 survey of mathematical ideas alice and bob s silly game hackerrank alice and bob play basics of game theory amp math

alice and bob meet banach mathematical surveys an 2022 ftp - Jul 01 2022

web free random variables and entropy f hiai d petz mathematical surveys and monographs 2000 free random variables d voiculescu k dykema alice and bob meet banach answer

alice and bob meet banach google books - Sep 03 2022

web alice and bob mathematical aspects of quantum information notation and basic concepts elementary convex analysis the mathematics of quantum information

alice and bob meet banach mathematical surveys an pdf - Jan 07 2023

web alice and bob meet banach mathematical surveys an 3 3 arithmetic combinatorics harmonic analysis and number theory perfectoid spaces princeton university press

alice and bob meet banach the interface of asymptotic - Nov 24 2021

web sep 18 2017 welcome to our blog errata contest now that alice and bob meet banach is available it is time to bring this blog to life first our plan is to write a few

read free alice and bob meet banach mathematical surveys an - Jan 27 2022

web feb 27 2023 we present alice and bob meet banach mathematical surveys an and numerous books collections from fictions to scientific research in any way along with

alice and bob meet banach mathematical surveys an - Dec 26 2021

web aug 1 2017 alice and bob meet banach the interface of asymptotic geometric analysis and quantum information theory guillaume aubrun stanisław j szarek contributor

alice and bob meet banach mathematical surveys and - Apr 10 2023

web alice and bob meet banach mathematical surveys an harmonic analysis partial differential equations banach spaces and operator theory volume 2 jul 11 2020

alice and bob meet banach searchworks catalog - Aug 02 2022

web 4 alice and bob meet banach mathematical surveys an 2020 02 25 mathematics for computer science american mathematical soc this book presents multiprecision

alice and bob meet banach mathematical surveys an pdf - Oct 04 2022

web aug 30 2017 alice and bob meet banach the quest to build a quantum computer is arguably one of the major scientific and technological challenges of the twenty first

free alice and bob meet banach mathematical surveys an - Mar 09 2023

web alice and bob meet banach mathematical surveys an pdf unveiling the magic of words a report on alice and bob meet banach mathematical surveys an pdf in a

alice and bob meet banach mathematical surveys an copy - Dec 06 2022

web feb 19 2023 webalice and bob meet banach mathematical surveys an pdf 1 1 downloaded from fastdata gluonhq com on january 22 2023 by guest alice and bob

ams ebooks mathematical surveys and monographs - Aug 14 2023

web alice and bob meet banach the interface of asymptotic geometric analysis and quantum information theory about this title guillaume aubrun universit e clude bernard lyon 1

alice and bob meet banach the interface of asymptotic - Jun 12 2023

web aug 30 2017 alice and bob meet banach is aimed at multiple audiences connected through their interest in the interface of qit and aga at quantum information

alice and bob meet banach case western reserve - May 11 2023

web find the latest published papers in alice and bob meet banach mathematical surveys and monographs top authors related hot topics the most cited papers and related

alice and bob meet banach - Oct 24 2021

[alice and bob meet banach mathematical surveys an pdf](#) - Nov 05 2022

web may 8 2023 this alice and bob meet banach mathematical surveys an but end up in infectious downloads rather than reading a good book with a cup of tea in the

alice and bob meet banach the interface of asymptotic - Jul 13 2023

web sep 30 2017 alice and bob meet banach is aimed at multiple audiences connected through their interest in the interface of qit and aga at quantum information

alice and bob meet banach mathematical surveys and - Apr 29 2022

web alice and bob meet banach mathematical surveys and monographs band 223 by guillaume aubrun random quantum correlations are generically non classical may 8th

alice and bob meet banach mathematical surveys and - Mar 29 2022

web banach solution are alice bob and charlie telling the truth alice and bob meet banach the interface of asymptotic alice and bob meet the wall of fire the biggest ideas in how

alice and bob meet banach mathematical surveys and - Feb 25 2022

web alice and bob meet banach mathematical surveys an harmonic analysis partial differential equations banach spaces and operator theory volume 2 dec 04 2021

nemesis games episode the expanse wiki fandom - Jun 29 2023

nemesis games is a 2015 science fiction novel by james s a corey the pen name of daniel abraham and ty franck and the fifth book in their the expanse series it is the sequel to cibola burn the cover art is by daniel dociu nemesis games received has positive reviews the novel has been referred to as corey s empire strikes back

[nemesis games book 5 of the expanse book 5 of the expanse](#) - Feb 23 2023

feb 3 2021 4 5 summary there s no denying that the expanse season 5 has been
nemesis games wikipedia - May 29 2023

nov 28 2022 download nemesis games the expanse 5 by james s a corey in pdf
the expanse 5 nemesis games 2 quiz literature 15 questions - Mar 15 2022

the expanse nemesis games tv episode 2021 - Nov 22 2022

may 10 2016 description the fifth book in the nyt bestselling expanse series nemesis
the expanse a telltale series bonus episode revealed - Feb 11 2022

nemesis games the expanse book 5 audiobb - Dec 24 2022

feb 3 2021 the expanse season 5 finale nemesis games shows alex fate spoilers
the expanse s5e10 nemesis games season 5 finale - Apr 15 2022

the expanse season 5 episode 10 review nemesis games - Sep 20 2022

oct 23 2023 free click here to join funtrivia thousands of games quizzes and lots
nemesis games book 5 of the expanse now a - Jan 25 2023

nemesis games is the fifth of nine planned books in the expanse series carrying us firmly
nemesis games the expanse book 5 amazon com - Oct 02 2023

jun 2 2015 audiobook 5 95 5 95 with discounted audible membership the fifth book in
[the expanse season 5 finale nemesis games shows alex](#) - Jun 17 2022

nemesis games the expanse 5 mitpressbookstore - May 17 2022

the expanse season 5 episode 10 recap the ending finale - Aug 20 2022

6 hours ago the expanse was a high action realistic sci fi adventure that unfolds across a
nemesis games the expanse wiki fandom - Sep 01 2023

nemesis games expanse 5 a thousand worlds have opened and the greatest land rush in
[nemesis games the expanse 5 by james s a](#) - Apr 27 2023

jun 4 2015 nemesis games is the fifth of nine planned books in the expanse series
pdf epub nemesis games the expanse 5 download - Mar 27 2023

feb 3 2021 the expanse season 5 episode 10 review nemesis games the expanse
nemesis games book 5 of the expanse paperback 4 jun 2015 - Jan 13 2022

nemesis games book 5 of the expanse now a prime original - Jul 19 2022

buy nemesis games book 5 of the expanse by corey james s a from amazon s fiction

read nemesis games expanse 5 by james s a corey online - Jul 31 2023

nemesis games is the tenth and final episode of the fifth season of the expanse overall

nemesis games the expanse 5 amazon com - Oct 22 2022

feb 3 2021 nemesis games s5e10 sees the dissolution of the polyambelterfam as