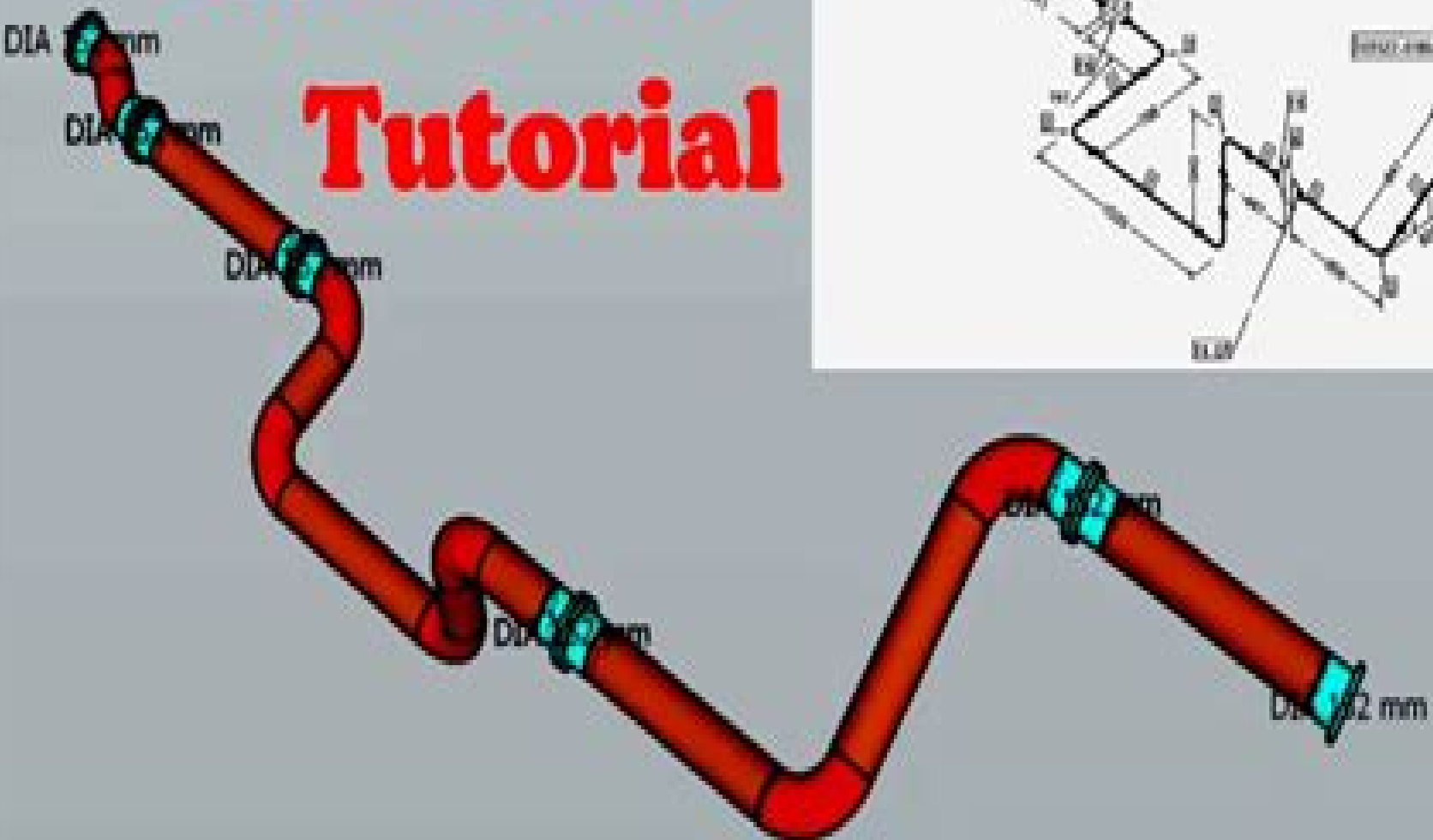
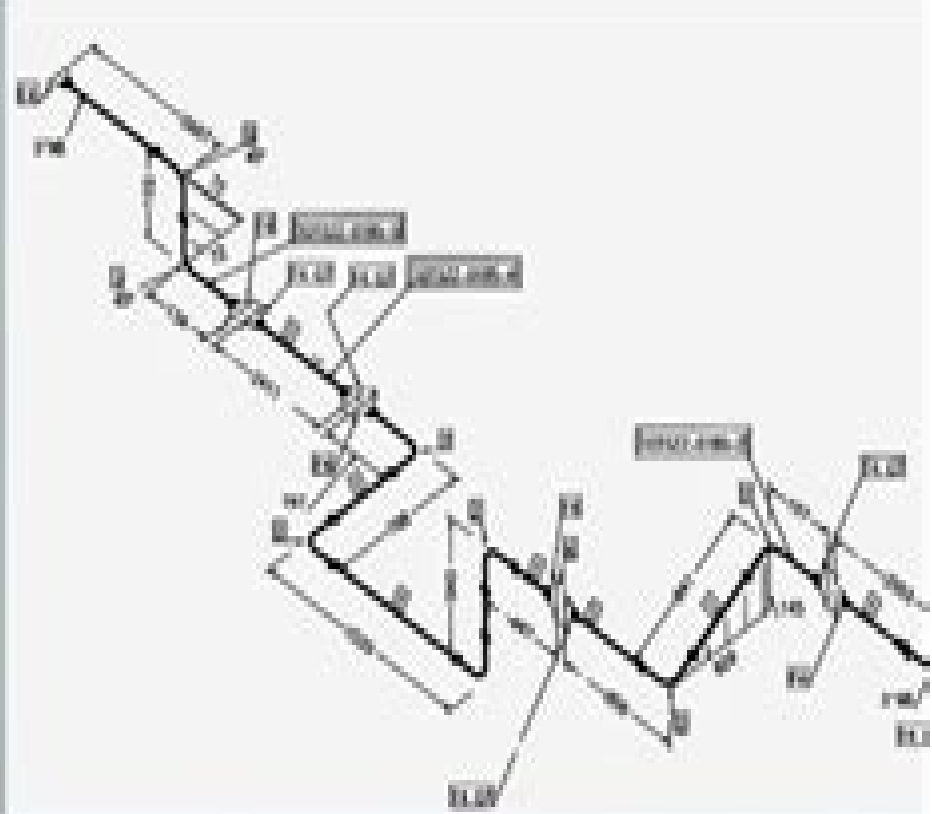


Piping

Isometric

Tutorial



Tutorial Manual For Piping

Eric Van Stijgeren



Tutorial Manual For Piping:

Stats Cosmos Piping Applications Google Cloud Dataproc Deployment Guide Mr. Luthando Mayekiso,2018-05-25
The guide is an introductory guide to deploying piping applications on the Google Cloud Dataproc Application Programming Interface API The piping applications considered are those used for category counting property summing and property averaging in a managed cluster environment in the cloud [System Integration Guide, Query Language Reference Manual and Tutorial](#) ,1994 [A Tutorial Guide to AutoCAD 2006](#) Shawna D. Lockhart,2006 A Tutorial Guide to AutoCAD 2006 provides a step by step introduction to AutoCAD with commands taught in context In 15 clear and comprehensive sessions author Shawna Lockhart guides readers through all the important commands and techniques in AutoCAD 2006 from 2D to solid modeling In each lesson the author provides step by step instructions with frequent illustrations showing exactly what appears on the AutoCAD screen Later individual steps are no longer provided and readers are asked to apply what they ve learned by completing sequences on their own Carefully developed pedagogy reinforces this cumulative learning approach and supports readers in becoming skilled AutoCAD users Introduction to AutoCAD Basic Construction Techniques Basic Editing and Plotting Techniques Geometric Constructions Template Drawings and More Plotting 2D Orthographic Drawings Dimensioning Advanced Dimensioning Section and Auxiliary Views Blocks Design Center and Tool Palettes Introduction to Solid Modeling Changing and Plotting Solid Models Creating Assembly Drawings from Solid Models Solid Modeling for Section and Auxiliary Views Rendering **Geotechnics for Developing Africa** G.E. Blight,A.B. Fourie,G.R. Wardle,2021-06-30 The proceedings represent a valuable reference on geotechnical problems peculiar to Africa and for engineering solutions to local problems Topics covered are Foundation engineering and lateral support Methods of design and analysis Monitoring laboratory and field testing Municipal industrial and mining waste and environmental geotechnics Soil improvement Transportation geotechnics Case studies The proceedings are also an invaluable source of data on the properties of African soils the properties of residual and tropical soils as well as climate related problems [Piping Engineering Today](#) Eric Van Stijgeren,1984 **NASA Lewis Propulsion Systems Laboratory Customer Guide Manual** ,1994 [Pipeline Engineering ebook Collection](#) E.W. McAllister,W. Kent Muhlbauer,Marshall Parker,Keith Escoe,Roy A. Parisher,Mehdi Farshad,2008-09-05 Pipeline Engineering ebook Collection contains 6 of our best selling titles providing the ultimate reference for every pipeline professional s library Get access to over 3000 pages of reference material at a fraction of the price of the hard copy books This CD contains the complete ebooks of the following 6 titles McAllister Pipeline Rules of Thumb 6th Edition 9780750678520 Muhlbauer Pipeline Risk Management Manual 3rd Edition 9780750675796 Parker Pipeline Corrosion Cathodic Protection 3rd Edition 9780872011496 Escoe Piping Pipeline Assessment Guide V1 9780750678803 Parisher Pipe Drafting Design 2nd Edition 9780750674393 Farshad Plastic Pipe Systems Failure Investigation and Diagnosis 9781856174961 Six fully searchable titles on one CD providing instant access to the ULTIMATE

library of engineering materials for pipeline professionals 3000 pages of practical and theoretical pipeline information in one portable package Incredible value at a fraction of the cost of the print books

A Tutorial Guide to AutoCAD Release 14 Shawna D. Lockhart,1998 A Tutorial Guide to AutoCAD Release 14 is the ideal tool for learning the latest release of engineering s most popular design tool These tutorials take you from basics such as parts of the screen and simple command entry all the way through customizing your AutoCAD toolbars and creating your own commands In 15 clear and comprehensive sessions author Shawna Lockhart guides readers through all the important commands and techniques in AutoCAD 14 As you progress through the step by step tutorials you apply what you have learned by completing familiar sequences on your own Frequent illustrations clearly depict what you see on your screen to help you in following the steps outlined

A Tutorial Guide to AutoCAD 2000 Shawna D. Lockhart,Marc Finseth,2001 For courses in AutoCAD and Computer Aided Drawing A Tutorial Guide to AutoCAD 2000 provides a step by step introduction to AutoCAD with commands taught in context Lockhart begins this book providing step by step instructions using commands and techniques Later individual steps are no longer provided and readers are asked to apply what they have learned by completing sequences on their own Carefully developed pedagogy reinforces the cumulative learning approach and supports readers in becoming skilled AutoCAD users

CompTIA Linux+ Study Guide Roderick W. Smith,2013-01-14 Includes real world scenarios hands on exercises and access to exam prep software featuring Linux Mac and Windows Compatible test engines hundreds of sample questions electronic flashcards Cover

LPIC-1: Linux Professional Institute Certification Study Guide Roderick W. Smith,2013-01-14 Updated for the latest LPIC 1 Exams 101 and 102 The LPIC 1 certification measures your understanding of the Linux Kernel As the Linux server market continues to grow so does the demand for certified Linux administrators Prepare for the latest versions of the LPIC 1 exams 101 and 102 with the new edition of this detailed Study Guide This practical book covers key Linux administration topics and all exam objectives and includes real world examples and review questions to help you practice your skills In addition you ll gain access to a full set of online study tools including bonus practice exams electronic flashcards and more Prepares candidates to take the Linux Professional Institute exams 101 and 102 and achieve their LPIC 1 certification Covers all exam objectives and features expanded coverage on key topics in the exam Includes real world scenarios and challenging review questions Gives you online access to bonus practice exams electronic flashcards and a searchable glossary Topics include system architecture installation GNU and Unix commands Linux filesystems essential system services networking fundamentals security and more Approach the LPIC 1 certification exams with confidence with LPIC 1 Linux Professional Institute Certification Study Guide Third Edition

Heating, Piping, and Air Conditioning ,1963 Issues for Jan 1935 contain a directory of heating piping and air conditioning equipment

Professional Guide's Manual George Leonard Herter,Jacques Pierre Herter,1960

Finite element theory and its application with open source codes Anthony Pickett,2020-11-10 This book combines essential finite element FE theory

with a set of fourteen tutorials using relatively easy to use open source CAD FE and other numerical analysis codes so a student can undertake practical analysis and self study The theory covers fundamentals of the finite element method Formulation of element stiffness for one dimensional bar and beam two dimensional and three dimensional continuum elements plate and shell elements are derived based on energy and variational methods Linear nonlinear and transient dynamic solution methods are covered for both mechanical and field analysis problems with a focus on heat transfer Other important theoretical topics covered include element integration element assembly loads boundary conditions contact and a chapter devoted to material laws on elasticity hyperelasticity and plasticity A brief introduction to Computational Fluid Dynamics CFD is also included The second half of this book presents a chapter on using tutorials containing information on code installation on Windows and getting started and general hints on meshing modelling and analysis This is then followed by tutorials and exercises that cover linear nonlinear and dynamic mechanical analysis steady state and transient heat analysis field analysis fatigue buckling and frequency analysis a hydraulic pipe network analysis and lastly two tutorials on CFD simulation In each case theory is linked with application and exercises are included for further self study For these tutorials open source codes FreeCAD CalculiX FreeMAT and OpenFOAM are used CalculiX is a comprehensive FE package covering linear nonlinear and transient analysis One particular benefit is that its format and structure is based on Abaqus so knowledge gained is relevant to a leading commercial code FreeCAD is primarily a powerful CAD modelling code that includes good finite element meshing and modelling capabilities and is fully integrated with CalculiX FreeMAT is used in three tutorials for numerical analysis demonstrating algorithms for explicit finite element and CFD analysis And OpenFOAM is used for other CFD flow simulations The primary aim of this book is to provide a unified text covering theory and practice so a student can learn and experiment with these versatile and powerful analysis methods It should be of value to both finite element courses and for student self study

Plumber's and Pipe Fitter's Calculations Manual Roger Dodge Woodson,1999 Get results almost instantly without putting pencil to paper or fiddling with a calculator Packed with charts and tables that let you simply look up the answers you need this handy new tool for plumbers and pipe fitters gives you a ready source of commonly used calculations formulas and best of all solutions

Process Piping CHARLES BECHT IV.,2021 This book is based on the 2020 Edition of ASME B31 3 Process Piping Code Because changes some very significant are made to the Code every edition the reader should refer to the Code for any specific requirements This book should be considered as providing background information and not specific current Code rules The equations in this book are numbered sequentially in each chapter When equations from ASME B31 3 are reproduced herein the latter equation numbers are given as well

A Tutorial Guide to AutoCAD Release 12 Shawna D. Lockhart,1994 This book uses a tried and true tutorial approach to teach readers how to apply AutoCAD to solving engineering drawing problems This format teaches AutoCAD commands in context making it easier for readers to apply what they have learned The book contains solid Getting Started material good

coverage of views and superior coverage of dimensioning The Street Railway Journal ,1914 **Piping Materials Guide**
Peter Smith,2005-01-20 The only book of its kind on the market this book is the companion to our Valve Selection Handbook
by the same author Together these two books form the most comprehensive work on piping and valves ever written for the
process industries This book covers the entire piping process including the selection of piping materials according to the job
the application of the materials and fitting trouble shooting techniques for corrosion control inspections for OSHA
regulations and even the warehousing distributing and ordering of materials There are books on materials fitting OSHA
regulations and so on but this is the only one stop shopping source for the piping engineer on piping materials Provides a one
stop shopping source for the piping engineer on piping materials Covers the entire piping process Designed as an easy to
access guide **Chilton's Import Auto Service Manual** ,2000 Contains general information for technicians on the
specifications MIL resetting and DTC retrieval accessory drive belts timing belts brakes oxygen sensors electric cooling fans
and heater cores of twenty one types of import cars

Tutorial Manual For Piping: Bestsellers in 2023 The year 2023 has witnessed a remarkable surge in literary brilliance, with numerous compelling novels enthralling the hearts of readers worldwide. Lets delve into the realm of popular books, exploring the captivating narratives that have enthralled audiences this year. Tutorial Manual For Piping : Colleen Hoover's "It Ends with Us" This touching tale of love, loss, and resilience has captivated readers with its raw and emotional exploration of domestic abuse. Hoover expertly weaves a story of hope and healing, reminding us that even in the darkest of times, the human spirit can triumph. Uncover the Best : Taylor Jenkins Reids "The Seven Husbands of Evelyn Hugo" This intriguing historical fiction novel unravels the life of Evelyn Hugo, a Hollywood icon who defies expectations and societal norms to pursue her dreams. Reids compelling storytelling and compelling characters transport readers to a bygone era, immersing them in a world of glamour, ambition, and self-discovery. Tutorial Manual For Piping : Delia Owens "Where the Crawdads Sing" This mesmerizing coming-of-age story follows Kya Clark, a young woman who grows up alone in the marshes of North Carolina. Owens spins a tale of resilience, survival, and the transformative power of nature, captivating readers with its evocative prose and mesmerizing setting. These bestselling novels represent just a fraction of the literary treasures that have emerged in 2023. Whether you seek tales of romance, adventure, or personal growth, the world of literature offers an abundance of captivating stories waiting to be discovered. The novel begins with Richard Papen, a bright but troubled young man, arriving at Hampden College. Richard is immediately drawn to the group of students who call themselves the Classics Club. The club is led by Henry Winter, a brilliant and charismatic young man. Henry is obsessed with Greek mythology and philosophy, and he quickly draws Richard into his world. The other members of the Classics Club are equally as fascinating. Bunny Corcoran is a wealthy and spoiled young man who is always looking for a good time. Charles Tavis is a quiet and reserved young man who is deeply in love with Henry. Camilla Macaulay is a beautiful and intelligent young woman who is drawn to the power and danger of the Classics Club. The students are all deeply in love with Morrow, and they are willing to do anything to please him. Morrow is a complex and mysterious figure, and he seems to be manipulating the students for his own purposes. As the students become more involved with Morrow, they begin to commit increasingly dangerous acts. The Secret History is a brilliant and thrilling novel that will keep you guessing until the very end. The novel is a warning tale about the dangers of obsession and the power of evil.

<https://py.bijouxmedusa.com/results/scholarship/Documents/Introduction%20To%20Statistical%20Quality%20Control%207th%20Edition%20Solution%20Manual.pdf>

Table of Contents Tutorial Manual For Piping

1. Understanding the eBook Tutorial Manual For Piping
 - The Rise of Digital Reading Tutorial Manual For Piping
 - Advantages of eBooks Over Traditional Books
2. Identifying Tutorial Manual For Piping
 - Exploring Different Genres
 - Considering Fiction vs. Non-Fiction
 - Determining Your Reading Goals
3. Choosing the Right eBook Platform
 - Popular eBook Platforms
 - Features to Look for in an Tutorial Manual For Piping
 - User-Friendly Interface
4. Exploring eBook Recommendations from Tutorial Manual For Piping
 - Personalized Recommendations
 - Tutorial Manual For Piping User Reviews and Ratings
 - Tutorial Manual For Piping and Bestseller Lists
5. Accessing Tutorial Manual For Piping Free and Paid eBooks
 - Tutorial Manual For Piping Public Domain eBooks
 - Tutorial Manual For Piping eBook Subscription Services
 - Tutorial Manual For Piping Budget-Friendly Options
6. Navigating Tutorial Manual For Piping eBook Formats
 - ePub, PDF, MOBI, and More
 - Tutorial Manual For Piping Compatibility with Devices
 - Tutorial Manual For Piping Enhanced eBook Features
7. Enhancing Your Reading Experience
 - Adjustable Fonts and Text Sizes of Tutorial Manual For Piping
 - Highlighting and Note-Taking Tutorial Manual For Piping
 - Interactive Elements Tutorial Manual For Piping
8. Staying Engaged with Tutorial Manual For Piping

- Joining Online Reading Communities
 - Participating in Virtual Book Clubs
 - Following Authors and Publishers Tutorial Manual For Piping
9. Balancing eBooks and Physical Books Tutorial Manual For Piping
- Benefits of a Digital Library
 - Creating a Diverse Reading Collection Tutorial Manual For Piping
10. Overcoming Reading Challenges
- Dealing with Digital Eye Strain
 - Minimizing Distractions
 - Managing Screen Time
11. Cultivating a Reading Routine Tutorial Manual For Piping
- Setting Reading Goals Tutorial Manual For Piping
 - Carving Out Dedicated Reading Time
12. Sourcing Reliable Information of Tutorial Manual For Piping
- Fact-Checking eBook Content of Tutorial Manual For Piping
 - Distinguishing Credible Sources
13. Promoting Lifelong Learning
- Utilizing eBooks for Skill Development
 - Exploring Educational eBooks
14. Embracing eBook Trends
- Integration of Multimedia Elements
 - Interactive and Gamified eBooks

Tutorial Manual For Piping Introduction

Free PDF Books and Manuals for Download: Unlocking Knowledge at Your Fingertips In today's fast-paced digital age, obtaining valuable knowledge has become easier than ever. Thanks to the internet, a vast array of books and manuals are now available for free download in PDF format. Whether you are a student, professional, or simply an avid reader, this treasure trove of downloadable resources offers a wealth of information, conveniently accessible anytime, anywhere. The advent of online libraries and platforms dedicated to sharing knowledge has revolutionized the way we consume information. No longer confined to physical libraries or bookstores, readers can now access an extensive collection of digital books and

manuals with just a few clicks. These resources, available in PDF, Microsoft Word, and PowerPoint formats, cater to a wide range of interests, including literature, technology, science, history, and much more. One notable platform where you can explore and download free Tutorial Manual For Piping PDF books and manuals is the internet's largest free library. Hosted online, this catalog compiles a vast assortment of documents, making it a veritable goldmine of knowledge. With its easy-to-use website interface and customizable PDF generator, this platform offers a user-friendly experience, allowing individuals to effortlessly navigate and access the information they seek. The availability of free PDF books and manuals on this platform demonstrates its commitment to democratizing education and empowering individuals with the tools needed to succeed in their chosen fields. It allows anyone, regardless of their background or financial limitations, to expand their horizons and gain insights from experts in various disciplines. One of the most significant advantages of downloading PDF books and manuals lies in their portability. Unlike physical copies, digital books can be stored and carried on a single device, such as a tablet or smartphone, saving valuable space and weight. This convenience makes it possible for readers to have their entire library at their fingertips, whether they are commuting, traveling, or simply enjoying a lazy afternoon at home. Additionally, digital files are easily searchable, enabling readers to locate specific information within seconds. With a few keystrokes, users can search for keywords, topics, or phrases, making research and finding relevant information a breeze. This efficiency saves time and effort, streamlining the learning process and allowing individuals to focus on extracting the information they need. Furthermore, the availability of free PDF books and manuals fosters a culture of continuous learning. By removing financial barriers, more people can access educational resources and pursue lifelong learning, contributing to personal growth and professional development. This democratization of knowledge promotes intellectual curiosity and empowers individuals to become lifelong learners, promoting progress and innovation in various fields. It is worth noting that while accessing free Tutorial Manual For Piping PDF books and manuals is convenient and cost-effective, it is vital to respect copyright laws and intellectual property rights. Platforms offering free downloads often operate within legal boundaries, ensuring that the materials they provide are either in the public domain or authorized for distribution. By adhering to copyright laws, users can enjoy the benefits of free access to knowledge while supporting the authors and publishers who make these resources available. In conclusion, the availability of Tutorial Manual For Piping free PDF books and manuals for download has revolutionized the way we access and consume knowledge. With just a few clicks, individuals can explore a vast collection of resources across different disciplines, all free of charge. This accessibility empowers individuals to become lifelong learners, contributing to personal growth, professional development, and the advancement of society as a whole. So why not unlock a world of knowledge today? Start exploring the vast sea of free PDF books and manuals waiting to be discovered right at your fingertips.

FAQs About Tutorial Manual For Piping Books

What is a Tutorial Manual For Piping PDF? A PDF (Portable Document Format) is a file format developed by Adobe that preserves the layout and formatting of a document, regardless of the software, hardware, or operating system used to view or print it. **How do I create a Tutorial Manual For Piping PDF?** There are several ways to create a PDF: Use software like Adobe Acrobat, Microsoft Word, or Google Docs, which often have built-in PDF creation tools. Print to PDF: Many applications and operating systems have a "Print to PDF" option that allows you to save a document as a PDF file instead of printing it on paper. Online converters: There are various online tools that can convert different file types to PDF. **How do I edit a Tutorial Manual For Piping PDF?** Editing a PDF can be done with software like Adobe Acrobat, which allows direct editing of text, images, and other elements within the PDF. Some free tools, like PDFescape or Smallpdf, also offer basic editing capabilities. **How do I convert a Tutorial Manual For Piping PDF to another file format?** There are multiple ways to convert a PDF to another format: Use online converters like Smallpdf, Zamzar, or Adobe Acrobats export feature to convert PDFs to formats like Word, Excel, JPEG, etc. Software like Adobe Acrobat, Microsoft Word, or other PDF editors may have options to export or save PDFs in different formats. **How do I password-protect a Tutorial Manual For Piping PDF?** Most PDF editing software allows you to add password protection. In Adobe Acrobat, for instance, you can go to "File" -> "Properties" -> "Security" to set a password to restrict access or editing capabilities. Are there any free alternatives to Adobe Acrobat for working with PDFs? Yes, there are many free alternatives for working with PDFs, such as: LibreOffice: Offers PDF editing features. PDFsam: Allows splitting, merging, and editing PDFs. Foxit Reader: Provides basic PDF viewing and editing capabilities. How do I compress a PDF file? You can use online tools like Smallpdf, ILovePDF, or desktop software like Adobe Acrobat to compress PDF files without significant quality loss. Compression reduces the file size, making it easier to share and download. Can I fill out forms in a PDF file? Yes, most PDF viewers/editors like Adobe Acrobat, Preview (on Mac), or various online tools allow you to fill out forms in PDF files by selecting text fields and entering information. Are there any restrictions when working with PDFs? Some PDFs might have restrictions set by their creator, such as password protection, editing restrictions, or print restrictions. Breaking these restrictions might require specific software or tools, which may or may not be legal depending on the circumstances and local laws.

Find Tutorial Manual For Piping :

[introduction to statistical quality control 7th edition solution manual](#)

[isgott 5th edition](#)

[jodha akbar history story](#)

[introduction to microbiology multiple choice questions bing](#)

isuzu 4hk1 engine specs

[jim rohn keys to success fangeload com](#)

javascript

[jis g3141 cold reduced carbon steel sheets and strip](#)

introduction to psychology 13th edition

[java programming interview questions answers](#)

[iphone 4 how to take apart repair guide repairsuniverse](#)

[jet aircraft power systems 2nd edition](#)

[introduction to robotics mechanics and control 3rd edition](#)

java library management system project documentation

[introduction to mathematical statistics 7th edition economy edition](#)

Tutorial Manual For Piping :

manual de preparación al examen cisa 2013 pdf dl - Feb 11 2023

web download manual de preparación al examen cisa 2013 pdf pdf for free report manual de preparación al examen cisa 2013 pdf please fill this form we will try to respond as soon as possible

guía del candidato para el examen y la certificación cisa - Apr 13 2023

web en el manual de preparación al examen cisa 2013 se ofrece una lista completa de referencias recomendadas para el estudio puede encontrar una lista de los acrónimos que los candidatos deberían conocer y una lista adicional de acrónimos que pudiera ser de interés para los

[pdf manual de preparacion al examen cisa academia edu](#) - Aug 17 2023

web manual de preparacion al examen cisa ramiro jauregui see full pdf download pdf see full pdf download pdf loading

preview manual de preparacion al examen cisa

[cisa santiago chapter](#) - Jun 03 2022

web 2 repasar el manual de preparación para el examen durante un periodo de 1 2 meses 3 hacer el curso de preparación al examen 4 practicar con el manual de preguntas respuestas y explicaciones durante un periodo de 2 3 semanas 5 programar el examen cuando se sienta con confianza curso de preparación oficial

[manual de preparación al examen cisa 2013 pdf pdf scribd](#) - Jul 16 2023

web manual de preparación al examen cisa 2013 pdf free ebook download as pdf file pdf or read book online for free manual

de preparación al examen cisa 2013

curso de preparación para el examen cisa madrid chapter - Sep 18 2023

web manual de preparación al examen cisa 27ª edición manual de preguntas respuestas y explicaciones de preparación al examen cisa 12ª edición isaca madrid es accredited training organization de isaca y como tal ofrece la posibilidad de adquirir junto con el curso los manuales ebook y el examen de certificación

store isaca portal - Feb 28 2022

web 2022 cpe on demand audit collection 350 00 member pricing 450 00 non member pricing 2022 cpe on demand cloud collection 350 00 member pricing 450 00 non member pricing 2022 cpe on demand cybersecurity collection 595 00 member pricing 695 00 non member pricing

manual de preparación al examen cisa google books - May 14 2023

web bibliographic information title manual de preparación al examen cisa preguntas respuestas y explicaciones 2007 author isaca publisher information systems audit and control association 2001 isbn 1893209318 9781893209312

manual cisa 2011 pdf pdf scribd - Nov 08 2022

web isaca se complace en ofrecer la edición 2011 21 ava del manual de preparación al examen cisa el propósito de este manual es proporcionar al eandidato cisa informacion tecnica y referencias actualizadas para syuderle a prepararse y estudiar para el examen cisa a fin de mejorar el proceso de estudio este manual ha sido actualizado y

manual de preparacion examen cisa 2008 1q7j93d3oxqv - Jul 04 2022

web download view manual de preparacion examen cisa 2008 as pdf for free more details pages 700 preview full text november 2020 0 preparacion examen pmp rita mulcahy november 2020 1 528 cisa review manual 2012 pdf september 2019 832 2008 september 2020 1 107 preparacion de juntas para soldar november 2019 691 our

el manual de preparación para isaca buenos aires - Apr 01 2022

web august 27 2019 el manual de preparación para el examen cisa 27ª edición es una guía de referencia completa diseñada para ayudar a los individuos en la preparación para el examen cisa y quienes desean entender el papel y la responsabilidad del auditor de seguridad de la información si

manual de preparación al examen cisa 2013 pdf doku - Jun 15 2023

web download view manual de preparación al examen cisa 2013 pdf as pdf for free more details pages 472 manual de preparacion examen cisa 2008 july 2020 622 cisa review manual 2012 pdf september 2019 832 cisa

manual de preparación para el examen cisa 27 ed - Jan 10 2023

web el manual de preparación para el examen cisa 27ª edición es una guía de referencia completa diseñada para ayudar a los individuos en la preparación para el examen cisa y quienes desean entender el papel y la responsabilidad del auditor de

seguridad de la información si

[index e introducción del manual de preparación cisa pdf](#) - Oct 07 2022

web index e introducción del manual de preparación cisa read online for free scribd is the world s largest social reading and publishing site index e introducción del manual de preparación cisa uploaded by andrés manrique 0 ratings 0 found this document useful 0 votes 14 views

[manual preparacion cisa 2012 monograf no](#) - Jan 30 2022

web 2 manual preparacion cisa 2012 2023 03 05 después de más de ocho años de espera por fin se ha publicado el real decreto 1720 2007 de 21 de diciembre por el que se aprueba el reglamento de desarrollo de la ley orgánica 15 1999 de 13 nuevo 4 cisa test examen 2023 español isaca udemy - May 02 2022

web 4 exámenes de 150 preguntas test preparación examen cisa de isaca preguntas de los 5 dominios 3 5 14 calificaciones 139 estudiantes creado por cyb training

[certified information systems auditor cisa madrid chapter](#) - Aug 05 2022

web manual de preparación al examen cisa 27ª edición manual de preguntas respuestas y explicaciones de preparación al examen cisa 12ª edición repasar el manual de preparación para el examen durante un periodo de unos 2 meses hacer el curso de preparación al examen

manual de preparacion al examen cisa pdf scribd - Sep 06 2022

web 38 manual de manual de preparacion al examen cisa 2008 pe oe mee e b ou i establece las bases para administrar el departamento de auditoria de manera efectiva provee un resumen de cómo se relaciona el sujeto individual de la auditoria con el resto de la organización así como también con los planes de negocios 1 6 9 objetivos de la [guía del candidato para los exámenes de isaca](#) - Dec 09 2022

web generalidades de la guía para el candidato revise esta guía minuciosamente contiene información importante que los candidatos a los exámenes de isaca deben conocer antes del día de la administración del examen incluyendo información para la programación admisibilidad para el examen y reglas para el día del examen

cisa 2015 manual de preparación pdf prueba - Mar 12 2023

web el propósito de este manual es proporcionar al candidato a la certificación cisa información técnica y referencias actualizadas para ayudarlo a prepararse y estudiar para el examen cisa el manual de preparación al examen cisa se actualiza anualmente para mantenerse a la par con los rápidos cambios en las profesiones de auditoria

[asme boiler and pressure vessel code](#) - Apr 11 2023

web seccion i reglas para la construccion de calderas de energia bpvc i es 2010 section vii care of power boilers provides guidelines to assist those directly responsible for operating maintaining and inspecting power boilers

section viii division i rules for construction of pressure - Jan 28 2022

web section viii division 1 is written for the construction of new pressure vessels and it covers a wide range of industrial and commercial pressure vessel applications it applies to small compressed air receivers as well as to very large pressure vessels needed by the petrochemical and refining industry

review of section viii division 1 and 2 changes 2008 2010 - Jul 02 2022

web jan 10 2011 this paper will attempt to summarize the major revisions that have taken place in viii 2 and viii 1 including a detailed overview of the new part uig requirements for pressure vessels constructed of impregnated graphite

asme bpvc sec viii 2 section viii division 2 - Mar 10 2023

web jul 1 2023 section viii division 2 alternative rules rules for construction of pressure vessels this division of section viii provides requirements applicable to the design fabrication inspection testing and certification of pressure vessels operating at either internal or external

asme viii division 2 dynaflo research group - Apr 30 2022

web about the course the asme boiler pressure vessel section viii code is the most frequently used pressure vessel design code in the world two design approaches are present in the code design by rules and design by analysis design by analysis in asme viii 2 part 5 is used to complement the design by rules parts of the code

asme section viii division 2 example problem manual - Feb 09 2023

web asme section viii division 2 example problem manual james c sowinski p e david a osage p e robert g brown p e the equity engineering group inc

22 section viii division 2 alternative rules asme digital - Jan 08 2023

web chapter 22 authored by kamran mokhtarian discusses section viii division 2 alternative rules this chapter summarizes the more significant requirements of section viii division 2 and gives a commentary on these requirements when appropriate comparisons are made with section viii division 1

section viii division 2 alternative rules asme digital collection - Dec 07 2022

web asme saw the need to update section viii division 2 to incorporate the latest technologies and to be more competitive in lieu of revising the existing standard the decision was made to perform a clean sheet rewrite

asme bpv code section viii division 2 design fabrication of - May 12 2023

web this introductory video based course describes the use of alternative rules for the design and fabrication of pressure vessels given in section viii division 2 of the asme boiler pressure vessel code 2021 edition

pdf division 2 section viii rules for construction of - Jul 14 2023

web division 2 section viii rules for construction of pressure vessels 2015 asme boiler and pressure vessel code an

international code pdf division 2 section viii rules for construction of pressure vessels 2015 asme boiler and pressure vessel code an international code seb pic academia edu

difference between asme sec viii div 1 and div 2 with pdf - Jun 01 2022

web asme sec viii division 2 on the other hand is based on a design by analysis approach design factor the design factor used is 3.5 on tensile and other yields and temperature considerations design factor of 3.3 for division 2 class 1 and 2.4 for division 2 class 2 on tensile and other yield and temperature considerations pressure limit

section viii division 2 alternative rules asme digital collection - Jun 13 2023

web this chapter covers alternative rules to the construction of pressure vessels under section viii division 2 the section is made up of nine parts and the organization within each part is as follows rules and requirements nomenclature tables figures normative annexes and informative annexes

asme bpv code section viii division 2 design online course asme - Sep 04 2022

web this introductory course describes the use of alternative rules for the design and fabrication of pressure vessels given in asme bpv code section viii division 2 this course offers a deep insight into the benefits of applying these alternative rules

asme boiler and pressure vessel code wikipedia - Nov 06 2022

web the asme boiler pressure vessel code bpvc is an american society of mechanical engineers asme standard that regulates the design and construction of boilers and pressure vessels 1 the document is written and maintained by volunteers chosen for their technical expertise 2

asme section viii rules for construction of pressure vessels - Feb 26 2022

web aug 18 2023 asme section viii div 1 asme section viii div 2 scope and applicability asme viii section 1 applies to the design and construction of pressure vessels with a maximum allowable working pressure mawp above 15 psi asme viii section 2 applies to pressure vessels with a mawp of 15 000 psi or less design and testing requirements

bpvc section viii division 2 alternative rules asme - Aug 15 2023

web product scope abstract this division of section viii provides requirements applicable to the design fabrication inspection testing and certification of pressure vessels operating at either internal or external pressures exceeding 15 psig such vessels may be fired or unfired

basics of design by analysis in asme section viii division 2 - Aug 03 2022

web nov 25 2018 design by analysis as described in asme section viii division 2 part 5 is a methodical approach for demonstrating the adequacy of a pressure vessel component design it provides detailed rules for performing analyses

asme bpvc viii 2 2021 techstreet - Oct 05 2022

web this division of section viii provides requirements applicable to the design fabrication inspection testing and certification

of pressure vessels operating at either internal or external pressures exceeding 15 psig such vessels may be fired or unfired
section viii division i rules for construction of pressure vessels - Mar 30 2022

web section viii division 1 is written for the construction of new pressure vessels and it covers a wide range of industrial and commercial pressure vessel applications it applies to small compressed air receivers as well as to very large pressure vessels needed by the petrochemical and refining industry

asme section viii div 2 class 1 2 2017 eng tips - Dec 27 2021

web feb 21 2018 asme has a new policy oh how a asme section viii div 1 can obtain a section viii div 2 class 1 permission to construct under certain conditions asme org asmeorg media resourcefile

claim filing instructions and forms superior court of - Aug 25 2022

web california state controller s office unclaimed property claims forms and filing instructions skip for haupt content malia m cohen california state controller

1 10 2023 malia m cohen california state controller s office - Jun 03 2023

web claim id relationship unclaimed property claim affirmation form printed date 1 10 2023 malia m cohen california state controller unclaimed

get claim affirmation form california us legal forms - Feb 28 2023

web complete claim affirmation form california within a couple of minutes by following the recommendations below choose the template you will need from our collection of legal

claim filing instructions and forms claim affirmation form fill - May 22 2022

web claim filing instructions plus forms you must file a claim with the state controller s office if respective claim is eligible you will be given the option to file electronically after

claim filing instructions and forms superior court of - Dec 17 2021

web claim folder help and forms thee must file a claim with the state controller s office wenn your claim lives eligible you will be given the option for file electronically after

claim affirmation form california - Jan 30 2023

web local form for mandatory use mariposa super court misc 006 04 29 22 post office box 316 claim affirmation form the undersigned claimant certifies that under

fillable online california state controller claim affirmation form - Oct 27 2022

web do whatever you want with a california state controller claim affirmation form pdf fill sign print and send online instantly securely download your document with other

claim affirmation form superior court of california - May 02 2023

web claim affirmation form the undersigned claimant certifies under penalty of perjury the claimant has read the claim and knows the for claims filed for a business the

property owner claims california state controller s office - Jul 04 2023

web you must notarize the claim affirmation form if the total value of the claim is 1 000 or greater the claim is for safe deposit box contents or the claim is for securities such

[search for unclaimed property instructions and forms](#) - Jan 18 2022

web search for unclaimed property california s unclaimed property law requires financial institutions insurance companies firms businesses and certain other entities to news

california claim form unclaimed money - Nov 27 2022

web california claim form you may have unclaimed money 60 billion in unclaimed money is held by the state and federal governments some of it may be yours click

search for unclaimed property california state controller s office - Dec 29 2022

web search for unclaimed property the unclaimed property division is experiencing significantly higher than expected claims volume because claims process in the order

reporting forms california state controller dochub - Mar 20 2022

web 01 edit your form online type text add images blackout confidential details add comments highlights and more 02 sign it in a few clicks draw your signature type it

[claim filing instructions california state controller claim](#) - Apr 01 2023

web to commence the claim process begin by searching for property on claimit ca gov registration instructions and needed documentation the type of documents you will

2022 form ca upd 306fill online printable fillable blank - Apr 20 2022

web california state controller s office unclaimed property claim forms and filing instructions notary public united states wikipedia the free encyclopedia in the united states a

claim filing instructions and forms disability insurance forms - Jul 24 2022

web california state controller s office unclaimed anwesen claim forms and filing instructions stop in main content malia m cohen california state controller search

claim filing instructions and forms california state - Oct 07 2023

web unclaimed property claim affirmation form if your property search is successful a highlighted property id number will appear on the search results page next to your

[forms](#) - Sep 06 2023

web unclaimed property claim affirmation form if your property search is successful a highlighted property id number will appear on the search results page next to your

get the free california state controller claim affirmation form - Feb 16 2022

web california state controller claim affirmation form pdf to download full version california state controller claim affirmation form pdf copy this link into your

state controller disbursements bureau form fill out and sign - Sep 25 2022

web california state controller s office claim filing instructions and forms you must file a claim with the state controller s office please refer to the filing instructions for a list

claim filing instructions california state controller s office - Aug 05 2023

web the type of documents you will need to include with your claim affirmation form will depend upon whether you are the owner the heir or representing a business or

claim affirmation form fill online printable fillable blank - Jun 22 2022

web how to fill out a claim affirmation form 01 gather all the necessary information and documents related to your claim such as receipts invoices and any supporting