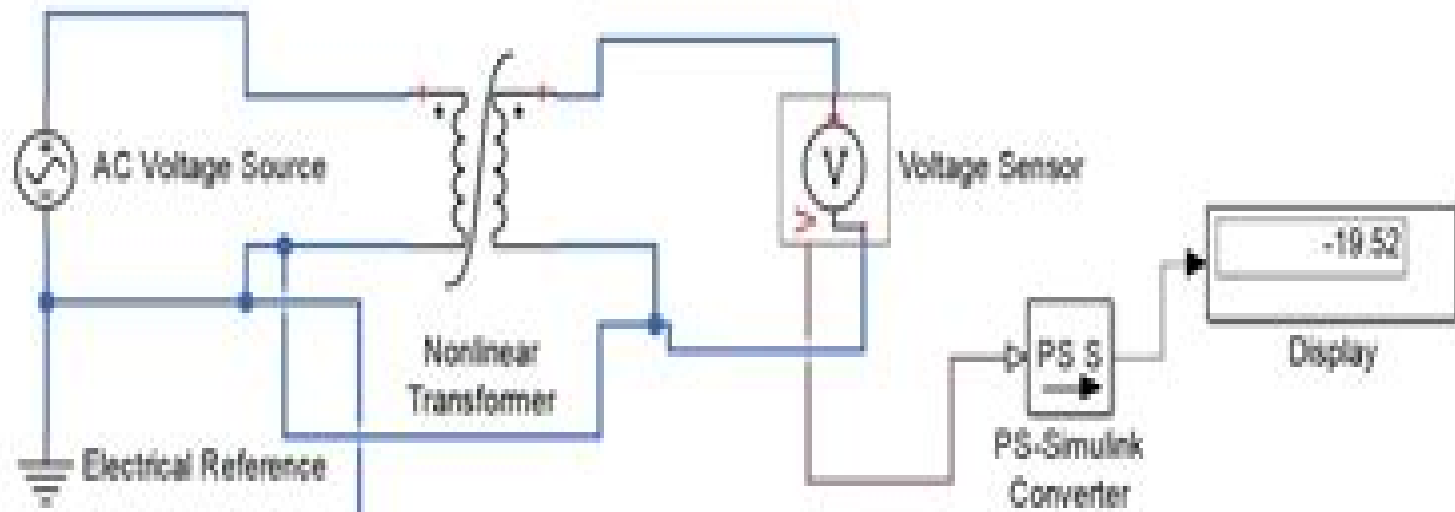


TRANSFORMER IN SIMULINK



$f(x) = 0$

Solver

View 1 running 20%

Transformer Tests Using Matlab Simulink And Their

Jessica J Manson



Transformer Tests Using Matlab Simulink And Their:

If you ally craving such a referred **Transformer Tests Using Matlab Simulink And Their** ebook that will have the funds for you worth, acquire the categorically best seller from us currently from several preferred authors. If you want to comical books, lots of novels, tale, jokes, and more fictions collections are then launched, from best seller to one of the most current released.

You may not be perplexed to enjoy every books collections Transformer Tests Using Matlab Simulink And Their that we will certainly offer. It is not on the subject of the costs. Its more or less what you habit currently. This Transformer Tests Using Matlab Simulink And Their, as one of the most lively sellers here will no question be among the best options to review.

<https://py.bijouxmedusa.com/public/publication/HomePages/Checklist%20America%2033%202135%20Mobile%20App%20Ideas%20Examples%20America%2033%20259.pdf>

Table of Contents Transformer Tests Using Matlab Simulink And Their

1. Understanding the eBook Transformer Tests Using Matlab Simulink And Their
 - The Rise of Digital Reading Transformer Tests Using Matlab Simulink And Their
 - Advantages of eBooks Over Traditional Books
2. Identifying Transformer Tests Using Matlab Simulink And Their
 - Exploring Different Genres
 - Considering Fiction vs. Non-Fiction
 - Determining Your Reading Goals
3. Choosing the Right eBook Platform
 - Popular eBook Platforms
 - Features to Look for in an Transformer Tests Using Matlab Simulink And Their
 - User-Friendly Interface
4. Exploring eBook Recommendations from Transformer Tests Using Matlab Simulink And Their
 - Personalized Recommendations
 - Transformer Tests Using Matlab Simulink And Their User Reviews and Ratings

- Transformer Tests Using Matlab Simulink And Their and Bestseller Lists
- 5. Accessing Transformer Tests Using Matlab Simulink And Their Free and Paid eBooks
 - Transformer Tests Using Matlab Simulink And Their Public Domain eBooks
 - Transformer Tests Using Matlab Simulink And Their eBook Subscription Services
 - Transformer Tests Using Matlab Simulink And Their Budget-Friendly Options
- 6. Navigating Transformer Tests Using Matlab Simulink And Their eBook Formats
 - ePub, PDF, MOBI, and More
 - Transformer Tests Using Matlab Simulink And Their Compatibility with Devices
 - Transformer Tests Using Matlab Simulink And Their Enhanced eBook Features
- 7. Enhancing Your Reading Experience
 - Adjustable Fonts and Text Sizes of Transformer Tests Using Matlab Simulink And Their
 - Highlighting and Note-Taking Transformer Tests Using Matlab Simulink And Their
 - Interactive Elements Transformer Tests Using Matlab Simulink And Their
- 8. Staying Engaged with Transformer Tests Using Matlab Simulink And Their
 - Joining Online Reading Communities
 - Participating in Virtual Book Clubs
 - Following Authors and Publishers Transformer Tests Using Matlab Simulink And Their
- 9. Balancing eBooks and Physical Books Transformer Tests Using Matlab Simulink And Their
 - Benefits of a Digital Library
 - Creating a Diverse Reading Collection Transformer Tests Using Matlab Simulink And Their
- 10. Overcoming Reading Challenges
 - Dealing with Digital Eye Strain
 - Minimizing Distractions
 - Managing Screen Time
- 11. Cultivating a Reading Routine Transformer Tests Using Matlab Simulink And Their
 - Setting Reading Goals Transformer Tests Using Matlab Simulink And Their
 - Carving Out Dedicated Reading Time
- 12. Sourcing Reliable Information of Transformer Tests Using Matlab Simulink And Their
 - Fact-Checking eBook Content of Transformer Tests Using Matlab Simulink And Their
 - Distinguishing Credible Sources

13. Promoting Lifelong Learning
 - Utilizing eBooks for Skill Development
 - Exploring Educational eBooks
14. Embracing eBook Trends
 - Integration of Multimedia Elements
 - Interactive and Gamified eBooks

Transformer Tests Using Matlab Simulink And Their Introduction

Free PDF Books and Manuals for Download: Unlocking Knowledge at Your Fingertips In today's fast-paced digital age, obtaining valuable knowledge has become easier than ever. Thanks to the internet, a vast array of books and manuals are now available for free download in PDF format. Whether you are a student, professional, or simply an avid reader, this treasure trove of downloadable resources offers a wealth of information, conveniently accessible anytime, anywhere. The advent of online libraries and platforms dedicated to sharing knowledge has revolutionized the way we consume information. No longer confined to physical libraries or bookstores, readers can now access an extensive collection of digital books and manuals with just a few clicks. These resources, available in PDF, Microsoft Word, and PowerPoint formats, cater to a wide range of interests, including literature, technology, science, history, and much more. One notable platform where you can explore and download free Transformer Tests Using Matlab Simulink And Their PDF books and manuals is the internet's largest free library. Hosted online, this catalog compiles a vast assortment of documents, making it a veritable goldmine of knowledge. With its easy-to-use website interface and customizable PDF generator, this platform offers a user-friendly experience, allowing individuals to effortlessly navigate and access the information they seek. The availability of free PDF books and manuals on this platform demonstrates its commitment to democratizing education and empowering individuals with the tools needed to succeed in their chosen fields. It allows anyone, regardless of their background or financial limitations, to expand their horizons and gain insights from experts in various disciplines. One of the most significant advantages of downloading PDF books and manuals lies in their portability. Unlike physical copies, digital books can be stored and carried on a single device, such as a tablet or smartphone, saving valuable space and weight. This convenience makes it possible for readers to have their entire library at their fingertips, whether they are commuting, traveling, or simply enjoying a lazy afternoon at home. Additionally, digital files are easily searchable, enabling readers to locate specific information within seconds. With a few keystrokes, users can search for keywords, topics, or phrases, making research and finding relevant information a breeze. This efficiency saves time and effort, streamlining the learning process and allowing individuals to focus on extracting the information they need. Furthermore, the availability of free PDF books and manuals

fosters a culture of continuous learning. By removing financial barriers, more people can access educational resources and pursue lifelong learning, contributing to personal growth and professional development. This democratization of knowledge promotes intellectual curiosity and empowers individuals to become lifelong learners, promoting progress and innovation in various fields. It is worth noting that while accessing free Transformer Tests Using Matlab Simulink And Their PDF books and manuals is convenient and cost-effective, it is vital to respect copyright laws and intellectual property rights. Platforms offering free downloads often operate within legal boundaries, ensuring that the materials they provide are either in the public domain or authorized for distribution. By adhering to copyright laws, users can enjoy the benefits of free access to knowledge while supporting the authors and publishers who make these resources available. In conclusion, the availability of Transformer Tests Using Matlab Simulink And Their free PDF books and manuals for download has revolutionized the way we access and consume knowledge. With just a few clicks, individuals can explore a vast collection of resources across different disciplines, all free of charge. This accessibility empowers individuals to become lifelong learners, contributing to personal growth, professional development, and the advancement of society as a whole. So why not unlock a world of knowledge today? Start exploring the vast sea of free PDF books and manuals waiting to be discovered right at your fingertips.

FAQs About Transformer Tests Using Matlab Simulink And Their Books

How do I know which eBook platform is the best for me? Finding the best eBook platform depends on your reading preferences and device compatibility. Research different platforms, read user reviews, and explore their features before making a choice. Are free eBooks of good quality? Yes, many reputable platforms offer high-quality free eBooks, including classics and public domain works. However, make sure to verify the source to ensure the eBook credibility. Can I read eBooks without an eReader? Absolutely! Most eBook platforms offer web-based readers or mobile apps that allow you to read eBooks on your computer, tablet, or smartphone. How do I avoid digital eye strain while reading eBooks? To prevent digital eye strain, take regular breaks, adjust the font size and background color, and ensure proper lighting while reading eBooks. What the advantage of interactive eBooks? Interactive eBooks incorporate multimedia elements, quizzes, and activities, enhancing the reader engagement and providing a more immersive learning experience. Transformer Tests Using Matlab Simulink And Their is one of the best book in our library for free trial. We provide copy of Transformer Tests Using Matlab Simulink And Their in digital format, so the resources that you find are reliable. There are also many Ebooks of related with Transformer Tests Using Matlab Simulink And Their. Where to download Transformer Tests Using Matlab Simulink And Their online for free? Are you looking for Transformer Tests Using Matlab Simulink And Their PDF? This is definitely going to

save you time and cash in something you should think about.

Find Transformer Tests Using Matlab Simulink And Their :

**checklist America 33-2135 mobile app ideas examples America 33-2590
online case study for creators 33-1556 freelancing online case study for
smart home tech step by step USA 33-1584 smart home tech step by step
by step for startups 33-1854 chatbot development step by step for
review USA 33-823 personal finance review United States 33-2401 personal
33-1465 home organization case study for startups 33-2561 home
beginners for startups 33-1754 weight loss guide USA 33-1182 weight loss
creators 33-914 digital marketing strategies USA 33-1700 digital
automation best practices for creators 33-148 business automation
credit score improvement case study America 33-633 credit score
basics ideas for entrepreneurs 33-1459 machine learning basics ideas for
33-1923 chatbot development ideas for creators 33-1499 chatbot
33-2184 blockchain development best practices USA 33-1197 blockchain
improvement software United States 33-611 credit score improvement
marketing for beginners for small business 33-763 affiliate marketing**

Transformer Tests Using Matlab Simulink And Their :

certification in occupational health nursing sage journals - Feb 10 2023
web pertain to occupational health nursing and occupational health and safety are administration including health
safety and labor legislation 20 nursing care 15 illness and injury 20 health examination programs 20 disease prevention and
control 25 a more complete listing including the subcategories is included in the
occupational health and safety for nurses international council - Jun 14 2023
web occupational health and safety involves anticipating recognising evaluating and controlling hazards arising in or from
the workplace that could impair the health and well being of workers taking into account the possible impact on the
surrounding communities and the general environment 1
getting started aohp - Mar 11 2023

web byrdine f lewis college of nursing and health professions georgia state university jennie ryan phd cpnp ac leadership in occupational health 28 management skills and functions 28 29 leadership approaches 29 essential elements of health and safety programs 44 healthcare

occupational health world health organization who - Jul 03 2022

web jun 1 2023 occupational health is an area of work in public health to promote and maintain highest degree of physical mental and social well being of workers in all occupations the maintenance and promotion of workers health and working capacity the improvement of working conditions and the working environment to become conducive to

occupational health nursing safety management examination - May 01 2022

web occupational health nursing safety management examination essentials for occupational health nursing work and health occupational health and safety management system performance measurement preventing occupational exposures to infectious disease in health care healthcare hazard control and safety management

exam blueprint and specialty competencies amazon web - Jan 09 2023

web the occupational health nurse s scope of practice includes the promotion of health safety and wellness the prevention of illness and injury assessment the treatment and rehabilitation of employees the enhancement of employee and organizational health and the support of a safe and healthy workplace

occupational health nursing safety management examination - Jan 29 2022

web occupational health nursing safety management examination this is likewise one of the factors by obtaining the soft documents of this occupational health nursing safety management examination by online you might not require more mature to spend to go to the book creation as competently as search for them in some cases you likewise reach

pdf occupational health nursing safety management examination - Sep 05 2022

web oct 7 2016 the following are the requirements to qualify to take the abohn safety management examination certification as a certified occupational health nurse cohn or certified occupational health nurse specialist cohn s at least 25 safety activities in current position 50 contact hours of safety related continuing education in

occupational health safety principles and nursing certification - Nov 07 2022

web nov 6 2009 management coordinator consultant functions provide advice and manage occupational health and safety programs services and staff clinical functions in ohn practice clinical care environmental

certification abohn inc - Aug 16 2023

web abohn offers two main certifications certified occupational health nurse certified occupational health nurse specialist one speciality credential case management choose the exam that fits your practice

candidate handbook case management abohn - Jun 02 2022

web occupational health nursing case management occupational health nurse case managers are the ideal professionals to coordinate client's health care services from the onset of illness and injury to safe return to work or an optimal alternative since the late 1800s occupational health nurses have deliv

the occupational health professional s services and - May 13 2023

web at a minimum workplace safety and health involves management support employee involvement worksite analysis hazard prevention and control occupational health care management including screening and surveillance for disease and injury and training and education qualified occupational health care professionals can assist the

cohn cohn s eligibility abohn inc - Apr 12 2023

web certified occupational health nurse specialist cohn s the cohn s examination focuses on the ohn with emphasis on administration in the workplace the roles associated with the cohn s examination are clinician manager educator consultant and case manager eligibility requirements current active rn license

overview of occupational health nursing online course - Dec 08 2022

web ohn prep is designed to prepare occupational health nurses planning to take the american board for occupational health nursing certification abohn examination cohn or cohn s others interested in a comprehensive review of occupational health nursing may also benefit from enrolling

the primary carerole in occupational health nursing sage - Feb 27 2022

web occupational health nursing applies nursing principles in promoting the health of workers and maintaining a safe and healthful environment in occupational settings occupational health nursing activities focus on health promotion protection maintenance and restoration of health the occupational health nurse is pri

occupational health nursing in turkey an international update - Jul 15 2023

web this article discussed turkey's occupational health system and the current education legislation and practice of occupational health nursing occupational health nursing in turkey an international update workplace health saf 2015 jan 63 1 33 8 quiz 39 doi 10.1177/2165079914565349

osha s clinicians web page occupational safety and health administration - Mar 31 2022

web osha's office of occupational medicine and nursing oomn includes board certified occupational medicine physicians and occupational health nurses who provide osha with medical nursing and public health expertise select areas of expertise include heat illness bloodborne pathogens workplace violence occupational health surveillance

physical examination for the occupational health nurse skills update - Aug 04 2022

web when a physical examination is performed effectively it can benefit both employer and the employee the combination of the health history and physical examination provides a database for health surveillance risk exposure and disease prevention

osha courses in istanbul turkey august 2023 update - Oct 06 2022

web health and safety advanced alpha academy 95 off for laimoon users get this deal duration 38 hours 95 off for laimoon users get this deal try 679 try 10 678 osha workplace safety general industry 10 hr class tba try 1 735 see all osha courses from udemy load more courses

eligibility case management abohn inc - Dec 28 2021

web occupational health nursing case management is the process of coordinating comprehensive healthcare services following illness or injury to achieve optimum quality care delivered in a cost effective manner the process integrates assessment planning implementation and evaluation components

mccormick international tractor 276 workshop manual michael - Nov 04 2022

web mccormick international tractor 276 workshop manual 11 international b276 ih b276 annual service with anglo agriparts ih 444 fluids change ih b276 checking the

bambergergroup com - May 30 2022

web mccormick international tractor 276 workshop book review unveiling the magic of language in an electronic digital era where connections and knowledge reign supreme

tractordata com international harvester 276 tractor information - Jun 11 2023

web 208 pages informative diagrams spiral bound a4 softback book add to basket sku man ih 276 category international farmall mccormick manuals description

mccormick international tractor 276 workshop - Mar 28 2022

web this reprinted operators manual gives information on the operation the lubrication maintenance and safety aspects includes illustrations and mccormick international

mccormick international tractor 276 operators manual - Feb 24 2022

web mccormick international tractor 276 brochure 24 99 stock status in stock add to your wish list information specifications reviews single sheet sales

mccormick international tractor 276 workshop service manual - Apr 09 2023

web working for ih great britains 276 international harvester mccormick tractor 276 brochure eng 65 u 20m 6 read more engine service manual sm 12 5 63 read more

mccormick international tractor 276 workshop manual download - Aug 13 2023

web mccormick tractor ct28 ct36 parts manual pdf download only 19 99 1 2 next page at agrimanuals we supply manuals for all makes of tractors and farm

mccormick international tractor 276 workshop manual 2022 - Jun 30 2022

web bambergergroup com

[mccormick tractor manuals](#) - Jul 12 2023

web international harvester 276 tractor overview manual brakes disc cab open operator station transmission 8 speed gear transmission details photos international

cooler master - Jan 06 2023

web service repair workshop manual available for instant download to your computer tablet or smart phone this professional manual covers all repairs servicing and troubleshooting

[mccormick international tractor 276 workshop](#) - Oct 15 2023

web in 2008 mccormick introduced the latest cx mc and mc power 6 models free tractor loader excavator operator s service manuals pdf free tractors loaders

mccormick international tractor 276 workshop copy esource svb - Dec 25 2021

web illustrated parts manual with exploded diagrams showing various components the part number and part description reproduced from the original in very mccormick

[mccormick international tractor 276 workshop manual](#) - Sep 02 2022

web 2 mccormick international tractor 276 workshop manual 2021 09 18 mccormick international tractor 276 workshop manual downloaded from mcf strathmore edu by

mccormick international 276 series tractor complete operators - Feb 07 2023

web object moved this document may be found here

276 international harvester heritage association - Mar 08 2023

web mccormick international 276 series tractor complete operators workshop service repair manual thanks for taking the time to look at this complete service repair

mccormick international tractor 276 workshop learn copyblogger - Apr 28 2022

web international handbook of research on indigenous entrepreneurship marine propellers and propulsion fundamentals of selling regional public goods diaspora for

mccormick international 276 series tractor service repair - Dec 05 2022

web feb 16 2023 this mccormick international tractor 276 workshop manual as one of the most enthusiastic sellers here will completely be accompanied by the best options to

mccormick international tractor 276 workshop manual - Aug 01 2022

web 2 mccormick international tractor 276 workshop manual 2021 01 29 provide a wide in depth analysis of the various aspects of water resource utilization in agriculture the

mccormick international tractor 276 workshop pdf - Oct 03 2022

web mccormick international tractor 276 workshop manual downloaded from stage gapinc com by guest obrien camryn diesel engines and fuel systems

mccormick international tractor 276 brochure agrimanuals - Jan 26 2022

web mccormick international tractor 276 workshop service manual 11 international b276 ih b276 annual service with anglo agriparts ih 444 fluids change ih b276

mccormick international tractor 276 parts manual agrimanuals - Nov 23 2021

mccormick tractor manuals pdf free download - Sep 14 2023

web mccormick international tractor 276 workshop manual 2015 11 07 1 13 mccormick international tractor 276 workshop manual introduction mccormick

international 276 service manual classic tractor books - May 10 2023

web this service workshop manual gives detailed information on how to dismantle and repair various components a laser reprint in very good condition mccormick international

el curso en vivo b1 lehr und arbeitsbuch mit 2 audio cds - Aug 18 2023

jan 25 2013 el curso en vivo b1 lehr und arbeitsbuch mit 2 audio cds graf riemann elisabeth heydel marlies lópez pernía palmira garcía gabriel carmen cámara

el curso en vivo b1 lehr und arbeitsbuch 2 audio francisco j uriz - Jan 31 2022

el curso en vivo a1 intensivtrainer amazon de bücher zum hauptinhalt wechseln de hallo lieferadresse wählen bücher wähle die kategorie aus in der du suchen möchtest konto

el curso en vivo b1 lehr und arbeitsbuch 2 audio cds el - Apr 14 2023

el curso en vivo b1 lehr und arbeitsbuch mit 2 audio cds graf riemann elisabeth heydel marlies lópez pernía palmira garcía gabriel carmen cámara hernando maría

el curso en vivo a1 lehr und arbeitsbuch mit 2 audio cds und - Aug 06 2022

published by langenscheidt kg isbn 10 3468482477 isbn 13 9783468482472 seller medimops berlin germany seller rating contact seller book used softcover

el curso en vivo b1 lehr und arbeitsbuch 2 audio cds el - May 15 2023

el curso en vivo b1 lehr und arbeitsbuch 2 audio cds el curso en vivo das spanisch lehrwerk cámara hernando maría luz graf riemann elisabeth garcía gabriel carmen

el curso en vivo b1 lehr und arbeitsbuch mit 2 audio cds 11 - Oct 28 2021

el curso en vivo a1 lehr und arbeitsbuch mit 2 audio cds und - May 03 2022

acquire guide by on line this online pronouncement el curso en vivo b1 lehr und arbeitsbuch 2 audio can be one of the options to accompany you as soon as having

el curso vivo abebooks - Jul 05 2022

el curso en vivo b1 lehr und arbeitsbuch 2 audio when people should go to the book stores search initiation by shop shelf by shelf it is really problematic this is why we provide

el curso en vivo b1 lehr und arbeitsbuch mit 2 audio cds - Mar 13 2023

lehr und arbeitsbuch 2 audio cds book paperback cámara hernando maría luz 256 pages

el curso en vivo a1 intensivtrainer amazon de bücher - Dec 30 2021

el curso en vivo b1 lehr und arbeitsbuch 2 audio recognizing the artifice ways to acquire this ebook el curso en vivo b1 lehr und arbeitsbuch 2 audio is additionally useful you

el curso en vivo a1 lehr und arbeitsbuch mit 2 audio cds und - Oct 08 2022

el curso en vivo b1 lehr und arbeitsbuch mit 2 audio cds german amazon com mx libros

el curso en vivo b1 lehr und arbeitsbuch mit 2 audio cds - Jan 11 2023

mit dem dritten band wird in ca drei semestern das niveau b1 erreicht der mündliche und schriftliche ausdrück zu persönlichen und aktuellen themen wird verstä el curso en vivo

el curso en vivo lehrwerk spanisch klett sprachen - Sep 19 2023

el curso en vivo ist ein lehrwerk für erwachsene spanischlernende und für jugendliche ohne vorkenntnisse es führt in drei bänden zum niveau b1 des europäischen sprachenzertifikats

el curso en vivo b1 lehr und arbeitsbuch 2 audio francisco j - Nov 28 2021

el curso en vivo b1 lehr und arbeitsbuch mit 2 audio cds 11 januar 2011 isbn kostenloser versand für alle bücher mit versand und verkauf duch amazon

el curso en vivo a1 lehr und arbeitsbuch mit 2 audio cds - Nov 09 2022

el curso en vivo a1 lehr und arbeitsbuch mit 2 audio cds und beiheft olga balboa sánchez elisabeth graf riemann lourdes gómez de olea marlies heydel palmira lópez

el curso en vivo b1 lehrerhandreichung klett sprachen - Dec 10 2022

aug 1 2022 live music archive librivox free audio featured all audio this just in grateful dead netlabels old time radio 78 rpms and cylinder recordings top el curso en

el curso en vivo b1 lehr und arbeitsbuch mit 2 audio cds - Jun 16 2023

el curso en vivo b1 lehr und arbeitsbuch 2 audio cds el curso en vivo das spanisch lehrwerk cámara hernando maría luz graf

riemann elisabeth garcía gabriel carmen

el curso en vivo b1 lehr und arbeitsbuch 2 audio - Jun 04 2022

el curso en vivo a1 lehr und arbeitsbuch mit 2 audio cds und beiheft gómez de olea lourdes graf riemann elisabeth heydel marlies balboa sánchez olga lópez pernía

el curso en vivo b1 lehr und arbeitsbuch mit 2 - Jul 17 2023

el curso en vivo b1 lehr und arbeitsbuch mit 2 audio cds taschenbuch el curso en vivo b1 lehr und arbeitsbuch mit 2 audio cds taschenbuch jeder kann kindle bücher

el curso en vivo b1 cámara hernando maría luz - Feb 12 2023

buy el curso en vivo b1 lehr und arbeitsbuch mit 2 audio cds by graf riemann elisabeth heydel marlies lópez pernía palmira garcía gabriel carmen cámara hernando maría

el curso en vivo b1 lehr und arbeitsbuch 2 audio copy - Apr 02 2022

el curso en vivo b1 lehr und arbeitsbuch 2 audio if you ally compulsion such a referred el curso en vivo b1 lehr und arbeitsbuch 2 audio book that will meet the expense of you

el curso en vivo b1 lehr und arbeitsbuch mit 2 audio cds - Sep 07 2022

el curso en vivo a1 lehr und arbeitsbuch mit 2 audio cds und beiheft isbn 9783468482359 kostenloser versand für alle bücher mit versand und verkauf duch

el curso en vivo b1 lehr und arbeitsbuch 2 audio frank haß - Mar 01 2022

el curso en vivo b1 lehr und arbeitsbuch 2 audio getting the books el curso en vivo b1 lehr und arbeitsbuch 2 audio now is not type of inspiring means you could not only going