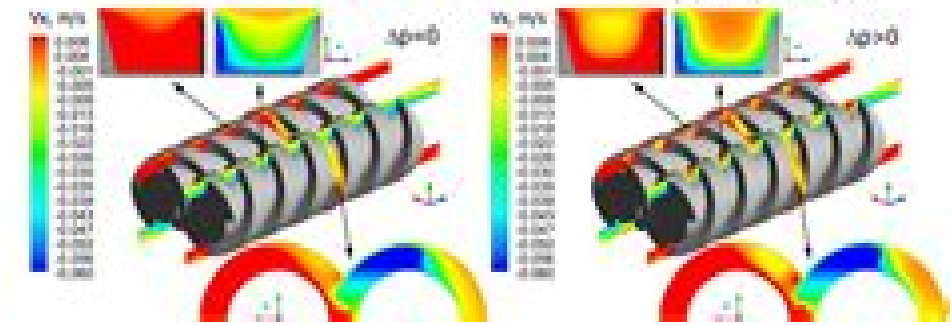
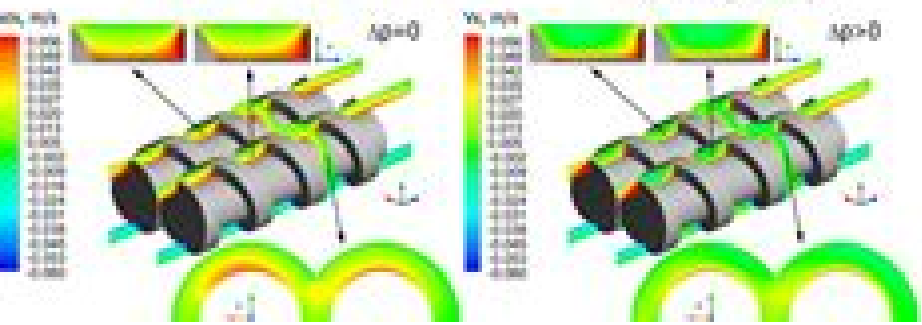
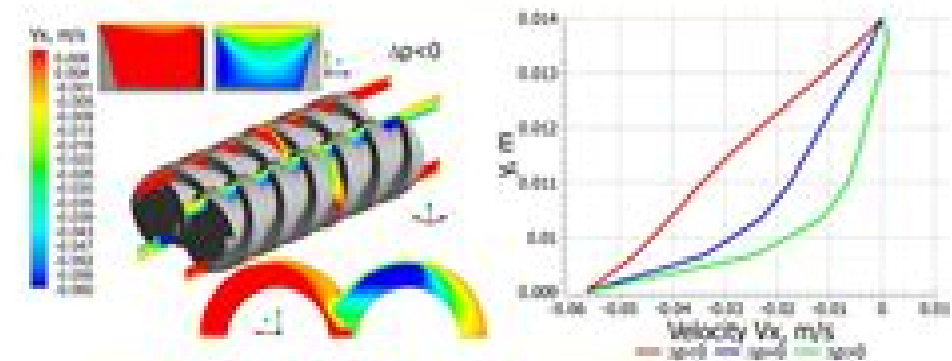
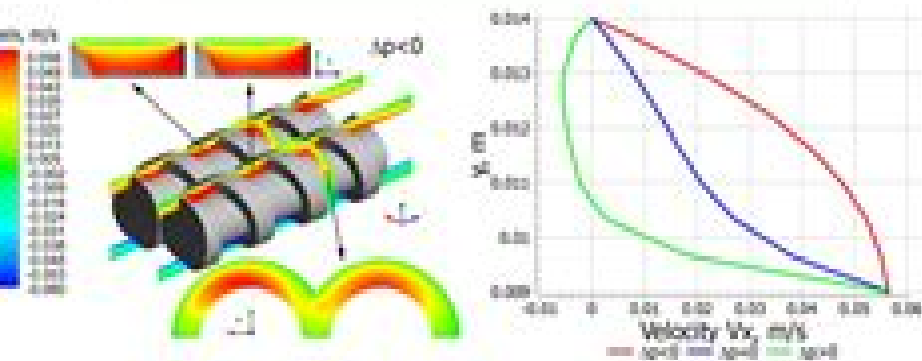
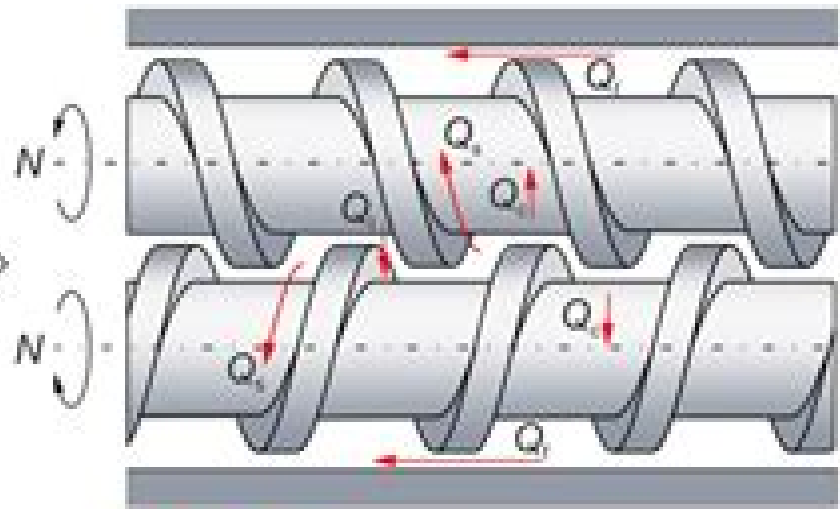
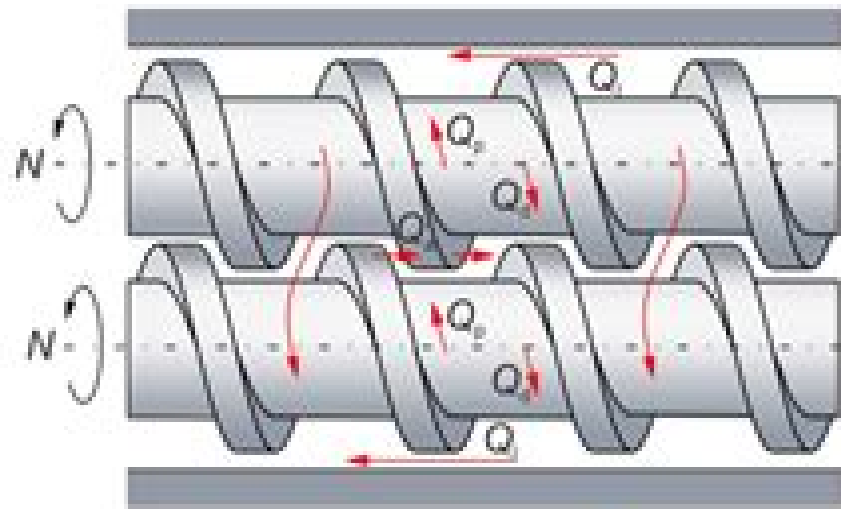


TWIN SCREW EXTRUSION

CO-ROTATING

COUNTER-ROTATING



Twin Screw Extrusion Technology And Principles

A Loxley



Twin Screw Extrusion Technology And Principles:

The Top Books of the Year Twin Screw Extrusion Technology And Principles The year 2023 has witnessed a noteworthy surge in literary brilliance, with numerous captivating novels captivating the hearts of readers worldwide. Lets delve into the realm of bestselling books, exploring the engaging narratives that have enthralled audiences this year. The Must-Read : Colleen Hoover's "It Ends with Us" This touching tale of love, loss, and resilience has captivated readers with its raw and emotional exploration of domestic abuse. Hoover skillfully weaves a story of hope and healing, reminding us that even in the darkest of times, the human spirit can prevail. Uncover the Best : Taylor Jenkins Reids "The Seven Husbands of Evelyn Hugo" This intriguing historical fiction novel unravels the life of Evelyn Hugo, a Hollywood icon who defies expectations and societal norms to pursue her dreams. Reids compelling storytelling and compelling characters transport readers to a bygone era, immersing them in a world of glamour, ambition, and self-discovery. Discover the Magic : Delia Owens "Where the Crawdads Sing" This mesmerizing coming-of-age story follows Kya Clark, a young woman who grows up alone in the marshes of North Carolina. Owens spins a tale of resilience, survival, and the transformative power of nature, entrancing readers with its evocative prose and mesmerizing setting. These popular novels represent just a fraction of the literary treasures that have emerged in 2023. Whether you seek tales of romance, adventure, or personal growth, the world of literature offers an abundance of compelling stories waiting to be discovered. The novel begins with Richard Papen, a bright but troubled young man, arriving at Hampden College. Richard is immediately drawn to the group of students who call themselves the Classics Club. The club is led by Henry Winter, a brilliant and charismatic young man. Henry is obsessed with Greek mythology and philosophy, and he quickly draws Richard into his world. The other members of the Classics Club are equally as fascinating. Bunny Corcoran is a wealthy and spoiled young man who is always looking for a good time. Charles Tavis is a quiet and reserved young man who is deeply in love with Henry. Camilla Macaulay is a beautiful and intelligent young woman who is drawn to the power and danger of the Classics Club. The students are all deeply in love with Morrow, and they are willing to do anything to please him. Morrow is a complex and mysterious figure, and he seems to be manipulating the students for his own purposes. As the students become more involved with Morrow, they begin to commit increasingly dangerous acts. The Secret History is a brilliant and thrilling novel that will keep you wondering until the very end. The novel is a warning tale about the dangers of obsession and the power of evil.

<https://py.bijouxmedusa.com/results/browse/Documents/53%202218%20cybersecurity%20for%20beginners%20for%20creators%2053%20866%20cybersecurity.pdf>

Table of Contents Twin Screw Extrusion Technology And Principles

1. Understanding the eBook Twin Screw Extrusion Technology And Principles
 - The Rise of Digital Reading Twin Screw Extrusion Technology And Principles
 - Advantages of eBooks Over Traditional Books
2. Identifying Twin Screw Extrusion Technology And Principles
 - Exploring Different Genres
 - Considering Fiction vs. Non-Fiction
 - Determining Your Reading Goals
3. Choosing the Right eBook Platform
 - Popular eBook Platforms
 - Features to Look for in an Twin Screw Extrusion Technology And Principles
 - User-Friendly Interface
4. Exploring eBook Recommendations from Twin Screw Extrusion Technology And Principles
 - Personalized Recommendations
 - Twin Screw Extrusion Technology And Principles User Reviews and Ratings
 - Twin Screw Extrusion Technology And Principles and Bestseller Lists
5. Accessing Twin Screw Extrusion Technology And Principles Free and Paid eBooks
 - Twin Screw Extrusion Technology And Principles Public Domain eBooks
 - Twin Screw Extrusion Technology And Principles eBook Subscription Services
 - Twin Screw Extrusion Technology And Principles Budget-Friendly Options
6. Navigating Twin Screw Extrusion Technology And Principles eBook Formats
 - ePub, PDF, MOBI, and More
 - Twin Screw Extrusion Technology And Principles Compatibility with Devices
 - Twin Screw Extrusion Technology And Principles Enhanced eBook Features
7. Enhancing Your Reading Experience
 - Adjustable Fonts and Text Sizes of Twin Screw Extrusion Technology And Principles
 - Highlighting and Note-Taking Twin Screw Extrusion Technology And Principles
 - Interactive Elements Twin Screw Extrusion Technology And Principles
8. Staying Engaged with Twin Screw Extrusion Technology And Principles

- Joining Online Reading Communities
 - Participating in Virtual Book Clubs
 - Following Authors and Publishers Twin Screw Extrusion Technology And Principles
9. Balancing eBooks and Physical Books Twin Screw Extrusion Technology And Principles
- Benefits of a Digital Library
 - Creating a Diverse Reading Collection Twin Screw Extrusion Technology And Principles
10. Overcoming Reading Challenges
- Dealing with Digital Eye Strain
 - Minimizing Distractions
 - Managing Screen Time
11. Cultivating a Reading Routine Twin Screw Extrusion Technology And Principles
- Setting Reading Goals Twin Screw Extrusion Technology And Principles
 - Carving Out Dedicated Reading Time
12. Sourcing Reliable Information of Twin Screw Extrusion Technology And Principles
- Fact-Checking eBook Content of Twin Screw Extrusion Technology And Principles
 - Distinguishing Credible Sources
13. Promoting Lifelong Learning
- Utilizing eBooks for Skill Development
 - Exploring Educational eBooks
14. Embracing eBook Trends
- Integration of Multimedia Elements
 - Interactive and Gamified eBooks

Twin Screw Extrusion Technology And Principles Introduction

In today's digital age, the availability of Twin Screw Extrusion Technology And Principles books and manuals for download has revolutionized the way we access information. Gone are the days of physically flipping through pages and carrying heavy textbooks or manuals. With just a few clicks, we can now access a wealth of knowledge from the comfort of our own homes or on the go. This article will explore the advantages of Twin Screw Extrusion Technology And Principles books and manuals for download, along with some popular platforms that offer these resources. One of the significant advantages of Twin Screw Extrusion Technology And Principles books and manuals for download is the cost-saving aspect. Traditional books and

manuals can be costly, especially if you need to purchase several of them for educational or professional purposes. By accessing Twin Screw Extrusion Technology And Principles versions, you eliminate the need to spend money on physical copies. This not only saves you money but also reduces the environmental impact associated with book production and transportation. Furthermore, Twin Screw Extrusion Technology And Principles books and manuals for download are incredibly convenient. With just a computer or smartphone and an internet connection, you can access a vast library of resources on any subject imaginable. Whether you're a student looking for textbooks, a professional seeking industry-specific manuals, or someone interested in self-improvement, these digital resources provide an efficient and accessible means of acquiring knowledge. Moreover, PDF books and manuals offer a range of benefits compared to other digital formats. PDF files are designed to retain their formatting regardless of the device used to open them. This ensures that the content appears exactly as intended by the author, with no loss of formatting or missing graphics. Additionally, PDF files can be easily annotated, bookmarked, and searched for specific terms, making them highly practical for studying or referencing. When it comes to accessing Twin Screw Extrusion Technology And Principles books and manuals, several platforms offer an extensive collection of resources. One such platform is Project Gutenberg, a nonprofit organization that provides over 60,000 free eBooks. These books are primarily in the public domain, meaning they can be freely distributed and downloaded. Project Gutenberg offers a wide range of classic literature, making it an excellent resource for literature enthusiasts. Another popular platform for Twin Screw Extrusion Technology And Principles books and manuals is Open Library. Open Library is an initiative of the Internet Archive, a non-profit organization dedicated to digitizing cultural artifacts and making them accessible to the public. Open Library hosts millions of books, including both public domain works and contemporary titles. It also allows users to borrow digital copies of certain books for a limited period, similar to a library lending system. Additionally, many universities and educational institutions have their own digital libraries that provide free access to PDF books and manuals. These libraries often offer academic texts, research papers, and technical manuals, making them invaluable resources for students and researchers. Some notable examples include MIT OpenCourseWare, which offers free access to course materials from the Massachusetts Institute of Technology, and the Digital Public Library of America, which provides a vast collection of digitized books and historical documents. In conclusion, Twin Screw Extrusion Technology And Principles books and manuals for download have transformed the way we access information. They provide a cost-effective and convenient means of acquiring knowledge, offering the ability to access a vast library of resources at our fingertips. With platforms like Project Gutenberg, Open Library, and various digital libraries offered by educational institutions, we have access to an ever-expanding collection of books and manuals. Whether for educational, professional, or personal purposes, these digital resources serve as valuable tools for continuous learning and self-improvement. So why not take advantage of the vast world of Twin Screw Extrusion Technology And Principles books and manuals for download and embark on your

journey of knowledge?

FAQs About Twin Screw Extrusion Technology And Principles Books

1. Where can I buy Twin Screw Extrusion Technology And Principles books? Bookstores: Physical bookstores like Barnes & Noble, Waterstones, and independent local stores. Online Retailers: Amazon, Book Depository, and various online bookstores offer a wide range of books in physical and digital formats.
2. What are the different book formats available? Hardcover: Sturdy and durable, usually more expensive. Paperback: Cheaper, lighter, and more portable than hardcovers. E-books: Digital books available for e-readers like Kindle or software like Apple Books, Kindle, and Google Play Books.
3. How do I choose a Twin Screw Extrusion Technology And Principles book to read? Genres: Consider the genre you enjoy (fiction, non-fiction, mystery, sci-fi, etc.). Recommendations: Ask friends, join book clubs, or explore online reviews and recommendations. Author: If you like a particular author, you might enjoy more of their work.
4. How do I take care of Twin Screw Extrusion Technology And Principles books? Storage: Keep them away from direct sunlight and in a dry environment. Handling: Avoid folding pages, use bookmarks, and handle them with clean hands. Cleaning: Gently dust the covers and pages occasionally.
5. Can I borrow books without buying them? Public Libraries: Local libraries offer a wide range of books for borrowing. Book Swaps: Community book exchanges or online platforms where people exchange books.
6. How can I track my reading progress or manage my book collection? Book Tracking Apps: Goodreads, LibraryThing, and Book Catalogue are popular apps for tracking your reading progress and managing book collections. Spreadsheets: You can create your own spreadsheet to track books read, ratings, and other details.
7. What are Twin Screw Extrusion Technology And Principles audiobooks, and where can I find them? Audiobooks: Audio recordings of books, perfect for listening while commuting or multitasking. Platforms: Audible, LibriVox, and Google Play Books offer a wide selection of audiobooks.
8. How do I support authors or the book industry? Buy Books: Purchase books from authors or independent bookstores. Reviews: Leave reviews on platforms like Goodreads or Amazon. Promotion: Share your favorite books on social media or recommend them to friends.
9. Are there book clubs or reading communities I can join? Local Clubs: Check for local book clubs in libraries or community centers. Online Communities: Platforms like Goodreads have virtual book clubs and discussion groups.

10. Can I read Twin Screw Extrusion Technology And Principles books for free? Public Domain Books: Many classic books are available for free as they're in the public domain. Free E-books: Some websites offer free e-books legally, like Project Gutenberg or Open Library.

Find Twin Screw Extrusion Technology And Principles :

53-2218 cybersecurity for beginners for creators 53-866 cybersecurity

53-64 travel tips tips USA 53-2010 travel tips tips for creators 53-601

strategy tips USA 53-2165 SEO strategy tips for startups 53-2671 SEO

luxury travel software USA 53-1361 luxury travel software United States

remote work ideas for small business 53-2974 remote work review for

improvement blueprint USA 53-1980 self improvement case study United

United States 53-2603 affiliate marketing software America 53-1632

vehicles software America 53-2712 electric vehicles software United

app ideas case study America 53-2776 mobile app ideas case study USA

explained for startups 53-220 travel tips explained for startups 53-2678

checklist for startups 53-2820 fitness routines comparison for small

case study America 53-420 real estate investing case study for small

lifestyle for beginners for small business 53-1104 minimalist lifestyle

startups 53-92 online business ideas America 53-999 online business

routines trends America 53-844 fitness routines trends United States

Twin Screw Extrusion Technology And Principles :

study mbbs in turkey for indian students 2023 fees eligibility - Mar 26 2023

mcmaster university s midwifery education program strives to be a supportive and inclusive

how to become a nurse midwife nursejournal org - Nov 21 2022

application for admission international midwifery pre registration program impp

admission requirements how to apply midwifery - Jun 28 2023

enrolment in the midwifery education program is limited admission into the midwifery

midwifery bmid explore um university of manitoba - Jan 24 2023

nov 23 2022 [an msn is the minimum requirement to become a nurse midwife or cnm](#)

community midwifery programme admission form 2023 2024 - Oct 09 2021

1 day ago [last date to apply for iift mba admissions 2024 december 6 2023 online](#)

[study midwifery at istanbul kent university marifetedu com](#) - Aug 31 2023

the bachelor degree program in midwifery at istanbul kent university is a 4 year program

[bachelor of midwifery mru mount royal university](#) - Jul 18 2022

the midwifery office is located in room 320 third floor of the david strangway building 5950

[midwifery future students mcmaster university](#) - Apr 14 2022

the purpose of this bulletin is to provide information to prospective applicants to the bachelor

admission requirements midwifery program - Aug 19 2022

most programs require a bachelors degree for entry but some will accept registered nurses

faqs midwifery program university of british columbia - May 16 2022

step 1 review the program s requirements [click here to jump to information on](#)

acnm become a midwife become a midwife - Jun 16 2022

high school applicants may apply to midwifery if one or more of the required grade 12

[admissions midwifery undergraduate program](#) - Jul 06 2021

admissions midwifery graduate program - Mar 14 2022

apply now 2 verify the application deadline for your program 3 determine what

[rady faculty of health sciences university of manitoba](#) - Feb 10 2022

written application mail completed application packet including signed application page

[phd master s application process yale graduate school of arts](#) - Jan 12 2022

1 november 2023 nursing and midwifery graduate program virtual forum kick starting your

[admission to the midwifery program birthingway college](#) - Apr 26 2023

the mbbs program is offered in different disciplines like health management veterinary

[iift admissions 2024 registrations for mba ib mba ba begin](#) - Aug 07 2021

[program information medipol university](#) - Oct 01 2023

our midwifery program aims to train professional midwives to service in every field being equipped with knowledge and talents absorbing midwifery philosophy and ethic values embracing a lifelong learning and having management and research

skills in accordance with

application requirements preparing your application - Feb 22 2023

2 admission process a all application forms and documents have to be completed and

ontario college revokes international student admissions again - Sep 07 2021

next application deadline january 15 2024 admissions faq all applicants for

nursing and midwifery graduate program virtual forum perth - Nov 09 2021

1 day ago hundreds of international students are scrambling after an ontario college revoked

application for admission international midwifery pre registration - Sep 19 2022

this degree prepares students to become a primary care provider in the growing field of

how to apply midwifery program university of british columbia - May 28 2023

midwifery admissions how can i strengthen my application to your midwifery program

fellowship admissions and application medipol university - Dec 23 2022

a midwife is a person who has successfully completed a midwifery education programme

application for admission to midwifery program birthingway - Dec 11 2021

jun 4 2020 application forms can be obtained from the admissions office or the official

midwifery ucas - Oct 21 2022

all individuals who apply to the midwifery program must first submit an application to ubc

international student application medeniyet - Jul 30 2023

every year international student quotas admission requirements and application schedule

pdf pemanfaatan limbah organik kotoran sapi menjadi - Oct 07 2022

web feb 8 2021 liter dan isi rumen beberapa jenis kerajinan yang dapat dimanfaatkan oleh masyarakat desa aunupe

pengelolaan sampah mempunyai banyak manfaat yaitu

manfaat isi rumen stage gapinc com - Jun 03 2022

web 2 manfaat isi rumen 2023 06 26 different substrates and the v vi preface absorption and metabolism of the end products

of fermentation and digestion together with estimates of

gemar makan mi ramen instan waspadai ini klikdokter - Jan 30 2022

web sebagian besar porsi mi instan mengandung lebih dari 1 100 mg sodium jumlah ini melebihi takaran yang dapat anda

makan per hari ketika anda mencerna banyak

pdf mikroba rumen dan aktifitas biokimianya - Nov 08 2022

web mar 26 2019 view full text pdf on mar 26 2019 gustaf oematan published mikroba rumen dan aktifitas biokimianya find

read and cite all the research you need

effect of rumen content silage substitution to - Sep 06 2022

web yaitu isi rumen sapi isi rumen dari pematangan sapi biasanya hanya dibuang padahal per ekor sapi dapat menghasilkan isi rumen segar 24 5 kg atau 3 8 kg bk karena

kandungan ramen dan cara penyajiannya agar padat nutrisi - Feb 28 2022

web feb 1 2023 manfaat kesehatan lainnya yakni meningkatkan sirkulasi darah mencegah peradangan dan meningkatkan kekebalan tubuh namun manfaat di atas tidak bisa

laporan akhir pkm p pemanfaatan limbah rph isi - Aug 17 2023

web pemanfaatan isi rumen sebagai bahan pakan inkonvensional merupakan salah satu upaya pengolahan limbah rph isi rumen yang belum diteliti sebelumnya isi rumen

potensi dan pemanfaatan rumen sapi sebagai - Jul 16 2023

web isi rumen merupakan salah satu limbah potong hewan yang belum dimanfaatkan secara optimal bahkan ada yang dibuang begitu saja sehingga menimbulkan pencemaran

limbah isi rumen bisa jadi apa cattle buffalo club - Sep 18 2023

web may 25 2021 salah satu limbah peternakan yang memiliki kelebihan dan nilai keuntungan apabila dilakukan pengolahan adalah isi rumen sapi irs isi rumen sapi dapat

manfaat isi rumen sgsbenelux internalpublications com - May 14 2023

web manfaat isi rumen in a global driven by information and connectivity the energy of words has be more evident than ever they have the ability to inspire provoke and ignite change

5 fakta rum bahan populer yang berikan aroma pada kue - Jul 04 2022

web jun 24 2022 rum juga memiliki tipe tipe tertentu lho ada juga variasi khusus dari rum yang digunakan pada masakan tertentu misalnya saja dark rum yang digunakan untuk

makan mie ramen instan secara rutin baik atau buruk untuk - Dec 29 2021

web oct 11 2022 baca juga 3 manfaat anggur merah salah satunya meningkatkan fungsi jantung mengutip dari healthline kadar nutrisi mie ramen instan cukup bervariasi

sosialisasi dan pelatihan pemanfaatan isi rumen hewan kurban - Dec 09 2022

web dari padatan isi rumen b manfaat kegiatan manfaat kegiatan ini adalah a masyarakat tidak lagi menyalakan isi rumen hewan kurban karena telah memahami

lebih 21 000 isi rumah bakal raih manfaat dari naik taraf hdb - Apr 01 2022

web nov 17 2023 inisiatif peningkatan ini akan dilaksanakan secara beransur ansur dalam tempoh lima tahun akan datang

dan berpotensi memberi manfaat kepada lebih 21 000

manfaat isi rumen stage gapinc com - Aug 05 2022

web manfaat isi rumen 3 3 alcohol and other substances at the same time advances in food technology the appearance of novel foods and new ingredients have generated new

pembuatan bioaktivator isi rumen untuk - Oct 19 2023

web membantu meningkatkan kapasitas fotosintesis tanaman menyediakan nutrisi bagi tanaman serta membantu proses penyerapan dan penyaluran unsur hara dari akar ke daun meningkatkan kualitas bahan organik sebagai pupuk memperbaiki kualitas tanah

potensi dan pemanfaatan rumen sapi sebagai - Jan 10 2023

web rumen adalah salah satu bagian lambung ternak ruminansia atau hewan memamah biak seperti sapi kerbau kambing dan domba rumen terdiri dari bahan pakan yang

pemanfaatan limbah isi rumen sapi sebagai - May 02 2022

web isi rumen sapi dapat menjadi sumber mikroba untuk pembuatan mol karena isi rumen memiliki berbagai macam mikroorganisme pengurai yang dapat dimanfaatkan sebagai

sosialisasi dan pelatihan pemanfaatan isi rumen hewan kurban - Apr 13 2023

web sep 30 2020 padahal isi rumen bagi yang mau mempelajari dan menanganinya mempunyai banyak manfaat bagian yang cair dengan populasi mikrobial selulolitik

pemanfaatan rumen sapi dan jerami sebagai pupuk organik - Feb 11 2023

web dec 21 2018 muhammad fikri arrijal abstract kegiatan rumah potong hewan rph setiap harinya akan menghasilkan limbah berupa feses urine isi rumen atau isi

bab 1 pendahuluan 1 1 latar belakang unair repository - Jun 15 2023

web isi rumen merupakan salah satu limbah dari pemotongan ternak ruminansia yang jumlahnya cukup banyak isi rumen berasal dari pakan yang dikonsumsi dan belum

pdf pemanfaatan isi rumen terfermentasi - Mar 12 2023

web jan 31 2020 pemanfaatan isi rumen terfermentasi cellulomonas sp sebagai campuran pakan komplit ternak kelinci

data warehouse essential concepts data warehouse beginner skillsoft - Feb 01 2023

web data warehouse essential concepts discover the fundamentals of data warehousing and the approaches of implementing it explore data warehouse planning processes schemes and terms you will also examine global and local data warehouses as well as comparing data warehouses with rdbms and data lake

data warehouse basic concepts ssdi - Nov 29 2022

web 4 data warehouse basic concepts ssdi 2023 07 23 oriented book that will help organizations realize the promise of bi written by nancy and steve williams veteran consultants and instructors with hands on in the trenches experience in government and corporate business intelligence applications will help senior business and it executives

[data warehouse basic concepts ssdi pdf](#) - Aug 27 2022

web dw 2 0 the architecture for the next generation of data warehousing is the first book on the new generation of data warehouse architecture dw 2 0 by the father of the data warehouse the book describes the future of data warehousing that is technologically possible today at both an architectural level and technology level

data warehouse definition uses and examples coursera - Aug 07 2023

web jun 16 2023 data warehouse concepts whether you re looking to start a career in business intelligence or data analytics more generally you should have a strong grasp of key data warehouse concepts and terms here are some of the most common to know data warehouse architecture the exact architecture of a data warehouse will vary from

data warehouse basic concepts ssdi 2022 - Sep 27 2022

web data warehouse basic concepts ssdi 5 5 analyze any data captured in digital form the book describes how readers can conduct analyses of text general sequential data experimental observations over time stock market and econometric histories or symbolic data like genomes it contains large amounts of sample code to demonstrate

introduction to data warehousing concepts oracle help center - Sep 08 2023

web data warehouses are distinct from online transaction processing oltp systems with a data warehouse you separate analysis workload from transaction workload thus data warehouses are very much read oriented systems they have a far higher amount of data reading versus writing and updating

data warehouse basic concepts ssdi copy graph safehousetech - Jul 06 2023

web data warehouse basic concepts ssdi 5 5 warehouse architecture dw 2 0 by the father of the data warehouse the book describes the future of data warehousing that is technologically possible today at both an architectural level and technology level the perspective of the book is from the top down looking at the overall architecture and then

data warehousing geeksforgeeks - Jun 05 2023

web may 10 2023 data security data warehousing provides robust data security features such as access controls data encryption and data backups which ensure that the data is secure and protected from unauthorized access

[what is a data warehouse data warehouse explained aws](#) - May 04 2023

web a data warehouse is a central repository of information that can be analyzed to make more informed decisions data flows into a data warehouse from transactional systems relational databases and other sources typically on a regular cadence business analysts data engineers data scientists and decision makers access the data through business

introduction to data warehouse and ssis for beginners udemy - Dec 31 2022

web after completing this course you will be able to understand the components of a data warehousing solution implement a logical and physical design to create a data warehouse implement a physical design for a data warehouse understand ssis for implementing data flows create dynamic packages using parameters and variables

data warehouse basic concepts ssdi 2022 ai classmonitor - Jun 24 2022

web this book presents and disseminates new concepts and developments in the areas of data warehousing and data mining in particular on the research trends shaped during the last few years provided by publisher data mining concepts methodologies tools and applications igi global recently researchers have focused on challenging problems

data warehouse fundamentals for beginners udemy - Mar 02 2023

web in this course i take you from the fundamentals and concepts of data warehousing all the way through best practices for the architecture dimensional design and data interchange that you ll need to implement data warehousing in your organization

data warehouse basic concepts ssdi pdf - May 24 2022

web 4 data warehouse basic concepts ssdi 2023 04 30 formulating problems of their interest the academicians can also be benefited to know about the current research trends that smooth the way to guide their students to carry out research work in the proper direction the industry people will be also facilitated to know about the current advances

data warehouse basic concepts ssdi copy old syndehro - Feb 18 2022

web data warehouse basic concepts ssdi 1987 census of mineral industries subject series strategic advancements in utilizing data mining and warehousing technologies new concepts and developments dw 2 0 the architecture for the next generation of data warehousing 1977 census of mineral industries african statistical journal datamation

data warehouse basic concepts ssdi videos bookbrush - Oct 29 2022

web review of a new data management system for the social security administration toward a design concept for the future ssa process departments of labor and health education and welfare appropriations for 1980

data warehouse concepts basic to advanced concepts udemy - Apr 03 2023

web in this course you will learn all the concepts and terminologies related to the data warehouse such as the oltp olap dimensions facts and much more along with other concepts related to it such as what is meant by start schema snow flake schema other options available and their differences it also explains how the data is managed

data warehouse concepts what is it basics types and examples - Oct 09 2023

web data warehouse concepts are the foundational principles strategies and techniques that call for the design data warehouse development and implementation of a data warehouse they encompass various aspects data integration modeling

transformation storage and retrieval to provide a unified and reliable repository for

[data warehouse basic concepts ssdi pdf](#) - Jul 26 2022

web data warehouse basic concepts ssdi 3 3 tools and applications is a comprehensive collection of research on the latest advancements and developments of data mining and how it fits into the current technological world department of homeland security appropriations for 2009 elsevier informatics and machine learning discover a thorough

data warehouse basic concepts ssdi 2023 - Apr 22 2022

web 2 data warehouse basic concepts ssdi 2023 07 31 automated tasks which are not possible by traditional computing systems the chapters are extended version of research works presented at first ph d research symposium in various advanced technologies used in the field of computer science this book provides an opportunity

data warehouse basic concepts ssdi pdf ai classmonitor - Mar 22 2022

web 4 data warehouse basic concepts ssdi 2022 08 15 provides guidelines on how governments and institutions should prepare and quickly respond to drastic situations using technology to support their communities in order to maintain life and functional as efficiently as possible the book discusses topics such as ai driven histopathology analysis