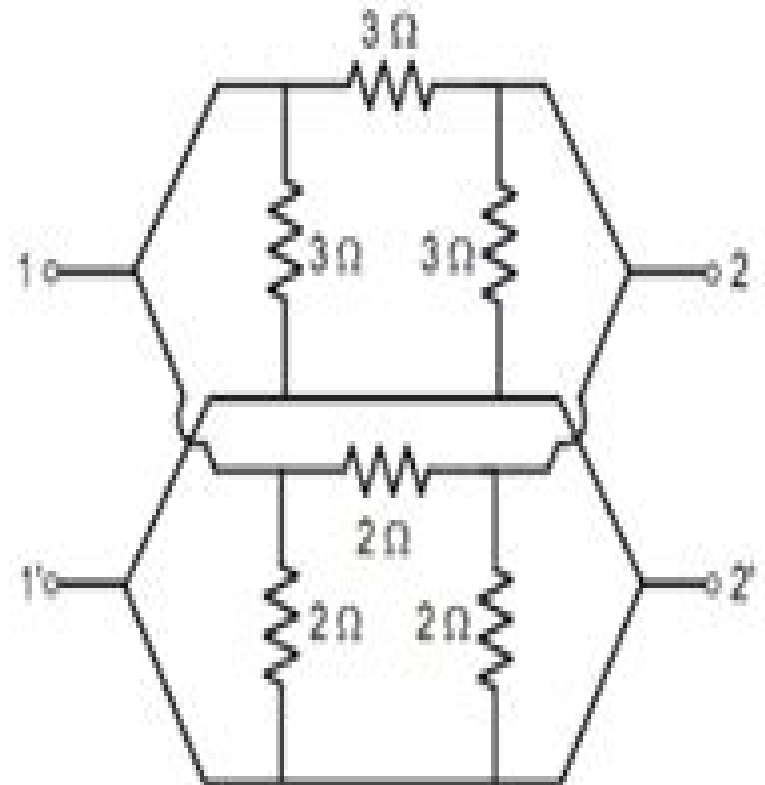


# Y Parameters of Two Port Network



Electrical 4 U

# Two Port Network Y Parameters Solved Problems

**Paul M. Anderson**



## Two Port Network Y Parameters Solved Problems:

Introduction to Electric Circuits Richard C. Dorf, James A. Svoboda, 2010-01-07 The central theme of Introduction to Electric Circuits is the concept that electric circuits are a part of the basic fabric of modern technology Given this theme this book endeavors to show how the analysis and design of electric circuits are inseparably intertwined with the ability of the engineer to design complex electronic communication computer and control systems as well as consumer products This book is designed for a one to three term course in electric circuits or linear circuit analysis and is structured for maximum flexibility

Schaum's 3000 Solved Problems in Electric Circuits S. A. Nasar, 1988 *Electric Circuits And Networks (For Gtu)* Kumar K. S. Suresh, 2010-09

**Electric Circuits and Networks** K. S. Suresh Kumar, K. S. Suresh Kumar, 2008-08-05 Electric Circuits and Networks is designed to serve as a textbook for a two semester undergraduate course on basic electric circuits and networks The book builds on the subject from its basic principles Spread over seventeen chapters the book can be taught with varying degree of emphasis on its six subsections based on the course requirement Written in a student friendly manner its narrative style places adequate stress on the principles that govern the behaviour of electric circuits and networks

Circuit Theory and Networks Surajit Bagchi, 2010 Simple and Lucid Presentation Step wise problem solving approach Large number of solved problems with illustrations A variety of multiple choice questions with hints

**MicroSim PSpice and Circuit Analysis** John Keown, 1998 This simple easy to follow guide is designed to be accessible to anyone with a familiarity of basic electrical knowledge

**Electrical Fundamentals and Circuit Analysis** Harry Alex Romanowitz, 1966

**PSpice and Circuit Analysis** John L. Keown, 1993 Intended for beginning technology students this text reinforces basic circuit principles through the use of the computer program PSpice and may be used in conjunction with a conventional textbook treatment of circuit analysis

**Introduction to Modern Circuit Analysis** Donald Albert Calahan, Alan B. Macnee, Edward Lawrence McMahan, 1974

AC Circuit Analysis Phillip Cutler, 1974 Solutions manual N Y McGraw Hill 1974

**Practical Guide to Electronic Amplifiers** John D. Lenk, 1991

**Schaum's Outline of Theory and Problems of Electronics Technology** Milton Kaufman, J. A. Wilson, 1982

**American Journal of Physics**, 1985 Archival journal targeted toward advanced level physics and physics education with its focus on the teaching and cultural aspects of physics

**Basic Engineering Circuit Analysis** J. David Irwin, 1987

*Basic Electric Circuit Analysis* David E. Johnson, John L. Hilburn, Johnny Ray Johnson, 1978 Key equations are followed by a brief explanation to increase student comprehension of important mathematical concepts Modern op amp is presented as a versatile linear circuit element Highly motivational use of op amps with SPICE for exploratory active circuit design SPICE tutorial material placed in clearly marked sections that can be skipped or de emphasized No reliance on SPICE or other computer methods in the remaining sections Balanced emphasis given to the complementary time phasor and domain approaches which are the core of modern linear circuit analysis

**Analysis of Faulted Power Systems** Paul M. Anderson, 1973 This classic text offers you the key to

understanding short circuits open conductors and other problems relating to electric power systems that are subject to unbalanced conditions Using the method of symmetrical components acknowledged expert Paul M Anderson provides comprehensive guidance for both finding solutions for faulted power systems and maintaining protective system applications You ll learn to solve advanced problems while gaining a thorough background in elementary configurations Features you ll put to immediate use Numerous examples and problems Clear concise notation Analytical simplifications Matrix methods applicable to digital computer technology Extensive appendices

**Papers Presented at the International Symposium on Wave and Tidal Energy** Herbert Simon Stephens,1978 **Journal of Electronic Engineering** ,1990 Schaum's Outline of Theory and Problems of Electronic Devices and Circuits Jimmie J. Cathey,1989 This updated version of its internationally popular predecessor provides and introductory problem solved text for understanding fundamental concepts of electronic devices their design and their circuitry Providing an interface with Pspice the most widely used program in electronics new key features include a new chapter presenting the basics of switched mode power supplies thirty one new examples and twenty three PS solved problems

**Papers Presented at the International Symposium on Wave and Tidal Energy, Held at the University of Kent, Canterbury, England, September 27-29, 1978** Herbert Simon Stephens,C. A. Stapleton,1978

Thank you totally much for downloading **Two Port Network Y Parameters Solved Problems**. Most likely you have knowledge that, people have look numerous period for their favorite books taking into consideration this Two Port Network Y Parameters Solved Problems, but end going on in harmful downloads.

Rather than enjoying a good ebook later than a cup of coffee in the afternoon, otherwise they juggled taking into account some harmful virus inside their computer. **Two Port Network Y Parameters Solved Problems** is within reach in our digital library an online permission to it is set as public therefore you can download it instantly. Our digital library saves in multiple countries, allowing you to get the most less latency period to download any of our books when this one. Merely said, the Two Port Network Y Parameters Solved Problems is universally compatible past any devices to read.

<https://py.bijouxmedusa.com/data/detail/fetch.php/Introduction%20To%20Microelectronic%20Fabrication%20Volume%205%20Of%20Modular%20Series%20On%20Solid%20State%20Devices%202nd%20Edition.pdf>

## **Table of Contents Two Port Network Y Parameters Solved Problems**

1. Understanding the eBook Two Port Network Y Parameters Solved Problems
  - The Rise of Digital Reading Two Port Network Y Parameters Solved Problems
  - Advantages of eBooks Over Traditional Books
2. Identifying Two Port Network Y Parameters Solved Problems
  - Exploring Different Genres
  - Considering Fiction vs. Non-Fiction
  - Determining Your Reading Goals
3. Choosing the Right eBook Platform
  - Popular eBook Platforms
  - Features to Look for in an Two Port Network Y Parameters Solved Problems
  - User-Friendly Interface
4. Exploring eBook Recommendations from Two Port Network Y Parameters Solved Problems
  - Personalized Recommendations

- Two Port Network Y Parameters Solved Problems User Reviews and Ratings
- Two Port Network Y Parameters Solved Problems and Bestseller Lists
- 5. Accessing Two Port Network Y Parameters Solved Problems Free and Paid eBooks
  - Two Port Network Y Parameters Solved Problems Public Domain eBooks
  - Two Port Network Y Parameters Solved Problems eBook Subscription Services
  - Two Port Network Y Parameters Solved Problems Budget-Friendly Options
- 6. Navigating Two Port Network Y Parameters Solved Problems eBook Formats
  - ePub, PDF, MOBI, and More
  - Two Port Network Y Parameters Solved Problems Compatibility with Devices
  - Two Port Network Y Parameters Solved Problems Enhanced eBook Features
- 7. Enhancing Your Reading Experience
  - Adjustable Fonts and Text Sizes of Two Port Network Y Parameters Solved Problems
  - Highlighting and Note-Taking Two Port Network Y Parameters Solved Problems
  - Interactive Elements Two Port Network Y Parameters Solved Problems
- 8. Staying Engaged with Two Port Network Y Parameters Solved Problems
  - Joining Online Reading Communities
  - Participating in Virtual Book Clubs
  - Following Authors and Publishers Two Port Network Y Parameters Solved Problems
- 9. Balancing eBooks and Physical Books Two Port Network Y Parameters Solved Problems
  - Benefits of a Digital Library
  - Creating a Diverse Reading Collection Two Port Network Y Parameters Solved Problems
- 10. Overcoming Reading Challenges
  - Dealing with Digital Eye Strain
  - Minimizing Distractions
  - Managing Screen Time
- 11. Cultivating a Reading Routine Two Port Network Y Parameters Solved Problems
  - Setting Reading Goals Two Port Network Y Parameters Solved Problems
  - Carving Out Dedicated Reading Time
- 12. Sourcing Reliable Information of Two Port Network Y Parameters Solved Problems
  - Fact-Checking eBook Content of Two Port Network Y Parameters Solved Problems

- Distinguishing Credible Sources
- 13. Promoting Lifelong Learning
  - Utilizing eBooks for Skill Development
  - Exploring Educational eBooks
- 14. Embracing eBook Trends
  - Integration of Multimedia Elements
  - Interactive and Gamified eBooks

### **Two Port Network Y Parameters Solved Problems Introduction**

In the digital age, access to information has become easier than ever before. The ability to download Two Port Network Y Parameters Solved Problems has revolutionized the way we consume written content. Whether you are a student looking for course material, an avid reader searching for your next favorite book, or a professional seeking research papers, the option to download Two Port Network Y Parameters Solved Problems has opened up a world of possibilities. Downloading Two Port Network Y Parameters Solved Problems provides numerous advantages over physical copies of books and documents. Firstly, it is incredibly convenient. Gone are the days of carrying around heavy textbooks or bulky folders filled with papers. With the click of a button, you can gain immediate access to valuable resources on any device. This convenience allows for efficient studying, researching, and reading on the go. Moreover, the cost-effective nature of downloading Two Port Network Y Parameters Solved Problems has democratized knowledge. Traditional books and academic journals can be expensive, making it difficult for individuals with limited financial resources to access information. By offering free PDF downloads, publishers and authors are enabling a wider audience to benefit from their work. This inclusivity promotes equal opportunities for learning and personal growth. There are numerous websites and platforms where individuals can download Two Port Network Y Parameters Solved Problems. These websites range from academic databases offering research papers and journals to online libraries with an expansive collection of books from various genres. Many authors and publishers also upload their work to specific websites, granting readers access to their content without any charge. These platforms not only provide access to existing literature but also serve as an excellent platform for undiscovered authors to share their work with the world. However, it is essential to be cautious while downloading Two Port Network Y Parameters Solved Problems. Some websites may offer pirated or illegally obtained copies of copyrighted material. Engaging in such activities not only violates copyright laws but also undermines the efforts of authors, publishers, and researchers. To ensure ethical downloading, it is advisable to utilize reputable websites that prioritize the legal distribution of content. When downloading Two Port Network Y Parameters Solved Problems, users should also consider the potential security risks associated with online platforms.

Malicious actors may exploit vulnerabilities in unprotected websites to distribute malware or steal personal information. To protect themselves, individuals should ensure their devices have reliable antivirus software installed and validate the legitimacy of the websites they are downloading from. In conclusion, the ability to download Two Port Network Y Parameters Solved Problems has transformed the way we access information. With the convenience, cost-effectiveness, and accessibility it offers, free PDF downloads have become a popular choice for students, researchers, and book lovers worldwide. However, it is crucial to engage in ethical downloading practices and prioritize personal security when utilizing online platforms. By doing so, individuals can make the most of the vast array of free PDF resources available and embark on a journey of continuous learning and intellectual growth.

### **FAQs About Two Port Network Y Parameters Solved Problems Books**

How do I know which eBook platform is the best for me? Finding the best eBook platform depends on your reading preferences and device compatibility. Research different platforms, read user reviews, and explore their features before making a choice. Are free eBooks of good quality? Yes, many reputable platforms offer high-quality free eBooks, including classics and public domain works. However, make sure to verify the source to ensure the eBook credibility. Can I read eBooks without an eReader? Absolutely! Most eBook platforms offer webbased readers or mobile apps that allow you to read eBooks on your computer, tablet, or smartphone. How do I avoid digital eye strain while reading eBooks? To prevent digital eye strain, take regular breaks, adjust the font size and background color, and ensure proper lighting while reading eBooks. What the advantage of interactive eBooks? Interactive eBooks incorporate multimedia elements, quizzes, and activities, enhancing the reader engagement and providing a more immersive learning experience. Two Port Network Y Parameters Solved Problems is one of the best book in our library for free trial. We provide copy of Two Port Network Y Parameters Solved Problems in digital format, so the resources that you find are reliable. There are also many Ebooks of related with Two Port Network Y Parameters Solved Problems. Where to download Two Port Network Y Parameters Solved Problems online for free? Are you looking for Two Port Network Y Parameters Solved Problems PDF? This is definitely going to save you time and cash in something you should think about. If you trying to find then search around for online. Without a doubt there are numerous these available and many of them have the freedom. However without doubt you receive whatever you purchase. An alternate way to get ideas is always to check another Two Port Network Y Parameters Solved Problems. This method for see exactly what may be included and adopt these ideas to your book. This site will almost certainly help you save time and effort, money and stress. If you are looking for free books then you really should consider finding to assist you try this. Several of Two Port Network Y Parameters Solved Problems are for sale to free while some are payable. If you arent

sure if the books you would like to download works with for usage along with your computer, it is possible to download free trials. The free guides make it easy for someone to free access online library for download books to your device. You can get free download on free trial for lots of books categories. Our library is the biggest of these that have literally hundreds of thousands of different products categories represented. You will also see that there are specific sites catered to different product types or categories, brands or niches related with Two Port Network Y Parameters Solved Problems. So depending on what exactly you are searching, you will be able to choose e books to suit your own need. Need to access completely for Campbell Biology Seventh Edition book? Access Ebook without any digging. And by having access to our ebook online or by storing it on your computer, you have convenient answers with Two Port Network Y Parameters Solved Problems To get started finding Two Port Network Y Parameters Solved Problems, you are right to find our website which has a comprehensive collection of books online. Our library is the biggest of these that have literally hundreds of thousands of different products represented. You will also see that there are specific sites catered to different categories or niches related with Two Port Network Y Parameters Solved Problems So depending on what exactly you are searching, you will be able to choose ebook to suit your own need. Thank you for reading Two Port Network Y Parameters Solved Problems. Maybe you have knowledge that, people have search numerous times for their favorite readings like this Two Port Network Y Parameters Solved Problems, but end up in harmful downloads. Rather than reading a good book with a cup of coffee in the afternoon, instead they juggled with some harmful bugs inside their laptop. Two Port Network Y Parameters Solved Problems is available in our book collection an online access to it is set as public so you can download it instantly. Our digital library spans in multiple locations, allowing you to get the most less latency time to download any of our books like this one. Merely said, Two Port Network Y Parameters Solved Problems is universally compatible with any devices to read.

**Find Two Port Network Y Parameters Solved Problems :**

*introduction to microelectronic fabrication volume 5 of modular series on solid state devices 2nd edition*

[jinn book of secrets book of secrets cloud storage](#)

*jcb 525 58 525 67 527 58 527 67 530 67 530 95 530 110 530 120 535 67 537 120 537 130 telescopic handler service repair workshop manual*

~~iot raspberry pi course details b m embedded~~

~~introduction to java programming exercise solutions~~

**introduction to systemic functional linguistics**

**invitation to the lifespan 2nd edition test**

~~john fraleigh abstract algebra solutions~~

[introduction to statistics by sher muhammad chaudhry](#)

[j s katre basic electrical engineering](#)

[ivy software financial accounting answers](#)

[jetta tdi engine fuse diagram](#)

[islamic education by md zafar](#)

[investment analysis portfolio management 8th edition solutions](#)

[iti fitter question paper in hindi](#)

### **Two Port Network Y Parameters Solved Problems :**

**la cuisine américaine familiale et authentique by cathleen clarity** - Oct 05 2022

web authentiques ramenées tout droit des États unis la cuisine américaine est avant tout familiale c est une cuisine de tradition que l on partage avec les siens un moment de convivialité que le chef cathleen clarity se plaît à transmettre en france son pays d adoption parcourez les 5 grandes régions culinaires des

**la cuisine ama c ricaine familiale et authentique pdf** - Feb 09 2023

web apr 11 2023 son monde c est sa famille d immigrés irlandais son père qui boit trop mais qui l aime sa mère maîtresse de maison austère et son frère gabe empreint de spiritualité

**la cuisine américaine familiale et authentique beaux livres cuisine** - Jan 28 2022

web jun 21 2023 cuisine américaine familiale et authentique beaux livres cuisine by cathleen clarity what you like to browse however below when you visit this web page it will be appropriately no question easy to get as without difficulty as fetch manual la cuisine américaine familiale et authentique beaux livres cuisine by cathleen clarity

[la cuisine ama c ricaine familiale et authentique pdf](#) - Jan 08 2023

web aug 14 2023 la cuisine ama c ricaine familiale et authentique pdf that you are looking for it will entirely squander the time however below in imitation of you visit this web page it will be appropriately agreed easy to get as skillfully as download lead la cuisine ama c ricaine familiale et authentique pdf it will not undertake many mature as we

**la cuisine ama c ricaine familiale et authentique copy** - Mar 10 2023

web recognizing the showing off ways to get this books la cuisine ama c ricaine familiale et authentique is additionally useful you have remained in right site to begin getting this info get the la cuisine ama c ricaine familiale et authentique connect that we come up with the money for here and check out the link you could purchase lead la

**ebook la cuisine ama c ricaine familiale et authentique** - Sep 04 2022

web la cuisine ama c ricaine familiale et authentique le capitaine poncenat et sa famille d après des documents authentiques

jul 30 2022 la vie nouvelle où tradition et innovation conventionnel et non conventionnel dec 03 2022 le lien familial mar 26 2022 emergence d'une parole authentique en médiation familiale apr 07 2023

*la meilleure cuisine turque à casablanca tripadvisor* - Mar 30 2022

web la meilleure cuisine turque à casablanca lisez 264 avis de voyageurs tripadvisor sur des restaurants turcs à casablanca

**la cuisine amercicaine familiale et authentique** - Dec 07 2022

web la cuisine amercicaine familiale et authentique revue de l'ordre social oct 19 2020 bulletin de censure encyclopédie du dix neuvième siècle sep 17 2020 anthropology and development apr 17 2023 this book re-establishes the relevance of mainstream anthropological and sociological approaches to

**la cuisine américaine familiale et authentique by cathleen clarity** - Dec 27 2021

web traiteur mo traiteur mariage et réception un ouvrage de référence pour tous les amateurs de véritable cuisine américaine retrouvez les plus grands classiques culinaires du pays et des recettes authentiques ramenées tout droit des États-Unis la cuisine américaine est avant tout familiale c'est une cuisine de tradition que l'on

*la cuisine américaine familiale et authentique beaux livres cuisine* - Apr 11 2023

web jun 19 2023 cuisine américaine familiale et authentique beaux livres cuisine by cathleen clarity moreover it is not instantly done you could believe even more about this life nearly the world possibly you have experience that people have look countless times for their preferred books later this la cuisine américaine familiale et authentique

**la cuisine américaine familiale et authentique beaux livres cuisine** - Jun 13 2023

web jun 8 2023 ramenées tout droit des États-Unis la cuisine américaine est avant tout familiale c'est une cuisine de tradition que l'on partage avec les siens un moment de convivialité que le chef cathleen clarity se plaît à transmettre en France son pays d'adoption parcourez les 5 grandes régions culinaires des États-Unis pour découvrir

**la cuisine américaine familiale et authentique amazon fr** - Aug 15 2023

web noté 5 retrouvez la cuisine américaine familiale et authentique et des millions de livres en stock sur amazon.fr achetez neuf ou d'occasion

la cuisine américaine familiale et authentique by cathleen - Aug 03 2022

web la cuisine américaine est avant tout familiale c'est une cuisine de tradition que l'on partage avec les siens un moment de convivialité que le chef cathleen clarity se plaît à transmettre en France son pays d'adoption

**la cuisine américaine familiale et authentique beaux livres cuisine** - Nov 06 2022

web la cuisine américaine familiale et authentique beaux livres cuisine by cathleen clarity votre cuisine amercicaine avancement du projet la réalisation de l'événement est probable la date et le lieu reste peut être encore à définir 2019 11 22

**la cuisine américaine familiale et authentique by cathleen** - Jul 02 2022

web may 30 2023 la cuisine américaine familiale et authentique by cathleen clarity la cuisine américaine familiale et authentique by cathleen clarity revue de week end 12 dco salle manger ide dco full text of la science sociale suivant la methode d cuisine pinterest des chemins de la dbasquisition et du bilinguisme 1982 restaurants d alger

**cuisine traditionnelle turque toutelaturquie guide istanbul turquie** - Feb 26 2022

web jan 22 2020 cuisine turque traditionnelle dans les lokanta cuisine locale turque les plats sont préparés par les familles les mères les grands mères les femmes dans ces restaurants on trouve de la vraie cuisine bio des entrées froides des plats chauds et des desserts tous les ingrédients sont achetés chaque jours dans des marchés locaux

le meilleur de la turquie avec des recettes savoureuses et variées - Apr 30 2022

web riche et variée la cuisine turque est avant tout une cuisine régionale unique en son genre grâce aux multiples influences dues à la fois à sa position géographique entre l europe l asie et l orient et les diverses migrations des turcs au cours des siècles parmi les plats les plus connus en dehors des frontières turques difficile de résister à la viande

la cuisine amercicaine familiale et authentique book - Jul 14 2023

web la cuisine américaine familiale authentique jun 28 2023 un ouvrage de référence pour tous les amateurs de véritable cuisine américaine retrouvez les plus grands classiques culinaires du pays et des recettes authentiques ramenées tout droit des États unis la cuisine américaine est avant tout familiale c est une cuisine de tradition

**la cuisine amercicaine familiale et authentique pdf** - May 12 2023

web la cuisine amercicaine familiale et authentique as recognized adventure as capably as experience more or less lesson amusement as well as covenant can be gotten by just checking out a book la cuisine amercicaine familiale et authentique with it is not directly done you could bow to even more around this life in this area the world

**manger pas cher à istanbul la cuisine familiale turque** - Jun 01 2022

web jan 20 2023 dans les restaurants locaux à istanbul la cuisine est avant tout basée sur la fraîcheur des produits les cuisiniers respectent les saveurs naturelles les viandes sont grillées plus que mijotées les sauces sont assez rares la cuisine turque est saine savoureuse et variée

*10 professional goals for nurses the nursing* - Oct 29 2022

web 01 improve your technology skills 02 get different nursing certifications 03 become efficient 04 enhance your communication skills 05 find a good mentor 06 enroll in an advanced degree 07 become a master of some tasks 08 offer mentorship 09 get specialized in a specific field 10 exhibit best caring behaviors as a nurse

*professional goals statement for nurses 862 words essay example* - Nov 17 2021

web jun 24 2023 the dnp would be a perfect goal for my nursing career path to conclude it is imperative to set and achieve

goals in the nursing job every nurse's career can and should be developing and not standing still getting a degree is one of the most potent ways to improve their position

**nursing career 11 examples of professional goals for nurses** - Nov 29 2022

web dec 29 2022 11 examples of professional goals for nurses december 29 2022 robbly even as a nurse it's important to have a professional development plan with attainable goals if you're a nurse practitioner or registered nurse looking for career goals and professional goals this blog post is just what you need

**6 strategies for achieving nursing professional development goals** - May 24 2022

web may 31 2023 here are some examples of long term nursing goals advancing your degree obtaining specialty certifications volunteering in your community participating in clinical ladder programs choosing a specialized healthcare area obtaining continuing education credits engaging in advanced technology like telehealth getting a mentor

**15 smart goals examples for your nursing career develop** - Feb 01 2023

web oct 19 2022 9 examples of smart goals for occupational therapy 5 smart goals examples to improve workplace teamwork 7 smart goals examples for improving your listening skills finally if you want to take your goal setting efforts to the next level check out this free printable worksheet and a step by step process that will help you

smart goals for nursing with 27 clear examples to use - Aug 27 2022

web in this article you are going to learn how to set up smart goals for nursing with plenty of examples of smart goals for nursing but first let me tell you what the smart goal is generally speaking the acronym smart stands for the terms specific measurable attainable relevant and time bound

**9 nurse practitioner career goals plus tips to set them** - Feb 18 2022

web jun 24 2022 career development 9 nurse practitioner career goals plus tips to set them indeed editorial team updated june 24 2022 nurse practitioners are advanced health care providers who care for their patients by diagnosing their illnesses and prescribing treatment plans

professional goal statement kathy's nursing portfolio - Dec 19 2021

web professional goal statement it takes a special type of person to effectively work as a nurse my plan to combine my prior knowledge past educational and professional experiences and personality qualities to work with me in providing the best possible nursing care and instruction possible

**examples of professional nursing goals skills education coursera** - Sep 08 2023

web aug 16 2023 5 examples of professional nursing goals your goals can focus on anything that helps you in your professional nursing career establish goals that fit your nursing career path and commit to achieving them 1 set a goal to build your experience develop a list of experiences you want to gain

**15 examples of nursing career goals and how to reach them** - Aug 07 2023

web apr 20 2022 your professional goals should always be smart goals specific measurable achievable realistic and time bound here we ll share 15 nursing career goals to consider for yourself and tips on how to achieve them

*smart goal examples for nurses and healthcare professionals* - Apr 03 2023

web sep 5 2023 career development smart goal examples for nurses and healthcare professionals indeed editorial team updated 5 september 2023 a strong career plan can help you prepare for a role in nursing and smart goals are

**nursing career 11 examples of professional goals for nurses** - Oct 09 2023

web sep 30 2023 image description current and aspiring nurses should set long term and short term professional goals to inspire them to achieve overall career success nurses must create a professional development plan with specific career goals a timeline and goal deadlines

**how to write a nursing statement of purpose with template and example** - May 04 2023

web jun 22 2023 if you re in the process of applying to nursing school learning how to write an effective nursing statement of purpose can be beneficial in this article we discuss what a nursing statement of purpose is explain how to write one and provide a template and example for you to follow as a guide

**15 nursing professional goals with tips indeed com** - Jul 06 2023

web may 9 2023 for example if one of your nursing professional goals is to get an advanced degree you could set deadlines for tasks related to that aim such as researching graduate programs or writing your personal statement

*how to write a nursing resume objective with examples* - Dec 31 2022

web jan 26 2023 1 state your career goal within the first sentence this can be as simple as stating the position you are seeking or you can give your nursing career goal some detail stating your career objective first helps employers assess whether your goals align with the duties of the position 2 include your professional skills that relate to your goal

**nursing personal statement template and example indeed com** - Mar 22 2022

web aug 2 2023 personal motivation your personal statement can also be a great place to describe a personal situation that has motivated you to become a nurse for example if your mother was a nurse and her passion for her job inspired you this type of emotional connection to the program could be an excellent addition to your personal statement

*tips for writing a great nursing personal statement* - Apr 22 2022

web tips for writing a great nursing personal statement when preparing to apply to a graduate nursing program there are many requirements and submission guidelines to remember the component that allows you to tell your unique story your personal statement is one of the most important

25 examples of smart goals for nurses rnllessons - Mar 02 2023

web 25 examples of smart goals for nurses smart goals are an excellent tool for both nursing students and nurses many people use smart goals for several different things it is not just a goal setting system used by nurses

[nursing goals for yearly evaluation 12 examples rnllessons](#) - Jul 26 2022

web 25 examples of smart goals for nurses 10 achievable examples of nursing career goals grow your nursing knowledge every month i will sign up for one class that will increase my knowledge about my nursing specialty i want to use my newly learned knowledge at least twice per month

[20 nursing goals for professional development incredible health](#) - Jun 05 2023

web aug 17 2022 some common nursing goals include acquiring skills in advancing technology fulfilling continuing education unit requirements ceus refining interpersonal skills honing a specific skill set to an expert level taking a management leadership position obtaining professional certifications

[how to write a nursing statement of purpose regis college](#) - Jan 20 2022

web statements of purpose serve as a way for applicants to inform nursing schools about their backgrounds goals and credentials for example a statement of purpose enables applicants to explain why they want to attend nursing school outline their goals and where they hope to take their nursing careers provide relevant information about their

[top 18 nursing resume objective examples resumecat](#) - Jun 24 2022

web jul 20 2023 9 ostomy care ostomy care is a crucial skill for a nursing resume objective as it demonstrates the ability to provide specialized care for patients with ostomies this includes knowledge and experience in managing cleaning and changing ostomy appliances as well as educating patients on self care techniques

[10 achievable examples of nursing career goals rnllessons](#) - Sep 27 2022

web examples of professional goals for nurses 5 to 10 year goals acquire unit specific certifications if you want to work in a specialty such as the icu or other intensive care units always be on the lookout for ways to increase your knowledge and credentials unit specific certifications tremendously increase your competency levels as a nurse

[pre intermediate test 1](#) - Dec 26 2021

web solutions pre intermediate unit 1 quiz for 8th grade students find other quizzes for english and more on quizizz for free

[oxford solutions pre int progress test unit 1 a pdf](#) - Feb 08 2023

web 1 day ago solutions pre intermediate 3rd edition grammar workbook audio pre intermediate wordlist 2 7mb pdf

[pre intermediate oxford solutions oxford university press](#) - Aug 14 2023

web introduction exercise 1 present simple and continuous unit 1 exercise 1 verb infinitive or ing form unit 1 exercise 2 past simple unit 2 exercise 1 past simple and

[progress test answer keys a unit 1 grammar use of english](#) - Jul 01 2022

web start studying solutions pre intermediate unit 1 2nd edition learn vocabulary terms and more with flashcards games and other study tools

**solutions pre intermediate 3rd alleng org** - Oct 04 2022

web nov 7 2018 three cumulative tests that cover a series of units test 1 covers units 1 5 test 2 covers units 5 9 and test 3 covers units 1 9 these longer tests cover grammar

**cumulative test answer keys a units 1 5 grammar pdf** - Feb 25 2022

web start studying solutions 3rd edition pre intermediate unit 1a learn vocabulary terms and more with flashcards games and other study tools search upgrade to remove

**oxford solutions pre int progress test unit 3 a pdf scribd** - Sep 22 2021

solutions pre intermediate unit 1 flashcards quizlet - Aug 02 2022

web progress test answer keys a unit 1 grammar use of english original title sol3e preint progress test answer keys a uploaded by Дмитрий Федотов copyright

*oxford solutions pre int progress tests answer keys* - Mar 09 2023

web oxford solutions pre int progress test unit 1 a free download as pdf file pdf text file txt or read online for free test oxford solution unit 1 a

**solutions pre intermediate unit 1 quizizz** - Nov 24 2021

web may 19 2020 solutions pre intermediate final test alexandra member for 3 years 3 months age 15 17 level pre intermediate language english en id 208164 english

**solutions teacher s site teaching resources oxford** - Apr 10 2023

web download the solutions workbook keys for elementary pre intermediate intermediate upper intermediate and advanced

solutions pre intermediate course tests pack - Dec 06 2022

web nov 24 2020 progress test to check students knowledge of past simple tense affirmative negative interrogative and adjectives of feeling adjective endings ing and ed other

**unit 1 test for solutions pre intermediate worksheet** - Nov 05 2022

web solutions pre intermediate course tests pack 2018 3rd format pdf mp3 rar size 34 mb download drive google two short unit tests for every unit testing grammar

**solutions 3rd edition pre intermediate unit 1a quizlet** - Jan 27 2022

web dec 2 2016 pre intermediate level pre intermediate english grammar tests includes online exercises english learners who have passed previous level try to solve the pre

**unit 1 exercise 1 present simple and continuous solutions** - Jul 13 2023

web unit 1 exercise 1 present simple and continuous complete the sentences with the present simple or present continuous form of the verbs in brackets

**solutions pre intermediate course tests pack sciarium** - Sep 03 2022

web solutions pre intermediate unit 1 get a hint honest click the card to flip someone who is honest always tells the truth and does not cheat or steal click the card to flip 1

**solutions pre intermediate final test worksheet live worksheets** - Oct 24 2021

web oxford solutions pre intermediate tests 1 unit 3 progress test a 3 complete the advert with the words below don t have to have to must 2 mustn t 1 right i eat

**solutions pre intermediate unit 1 2nd edition quizlet** - May 31 2022

web 2 days ago solutions intermediate grammar select an exercise below unit 1 exercise 1 past tense contrast unit 1 exercise 2 used to unit 2 exercise 1 past simple

**solutions2e short tests un01 a slideshare** - Mar 29 2022

web solutions third edition pre intermediate tests 1 cumulative test answer keys a the test audio can be played from the teacher s resource disk or you can use the

**pre intermediate solutions oxford university press** - Jun 12 2023

web solutions pre intermediate 2nd edition grammar everyday english workbook audio 58mb zip

**solutions pre intermediate grammar oxford university press** - May 11 2023

web 2 days ago grammar select an exercise below unit 1 exercise 1 past simple unit 2 exercise 1 past simple and continuous unit 3 exercise 1 some any much many a

**pre intermediate 3rd edition solutions oxford university press** - Jan 07 2023

web three cumulative tests that cover a series of units test 1 covers units 1 5 test 2 covers units 5 9 and test 3 covers units 1 9 these longer tests cover grammar and

**solutions intermediate grammar oxford university press** - Apr 29 2022

web mar 16 2016 there are three words you do not need impatient confident arrogant shy generous lazy strong funny 1 someone who thinks they are better than everyone else 2