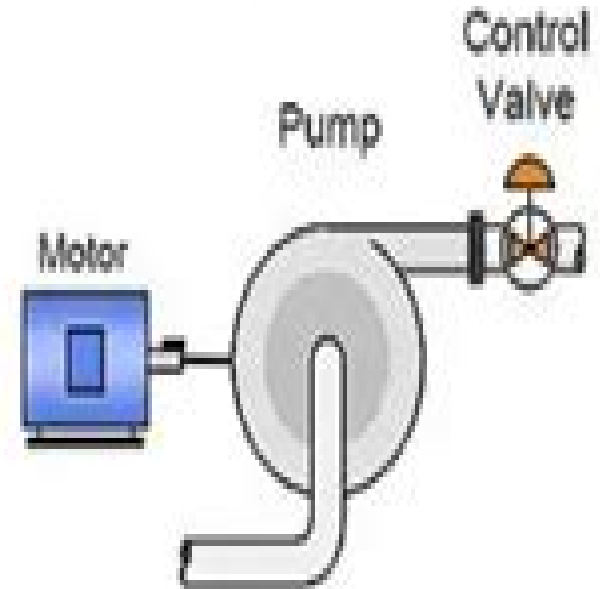
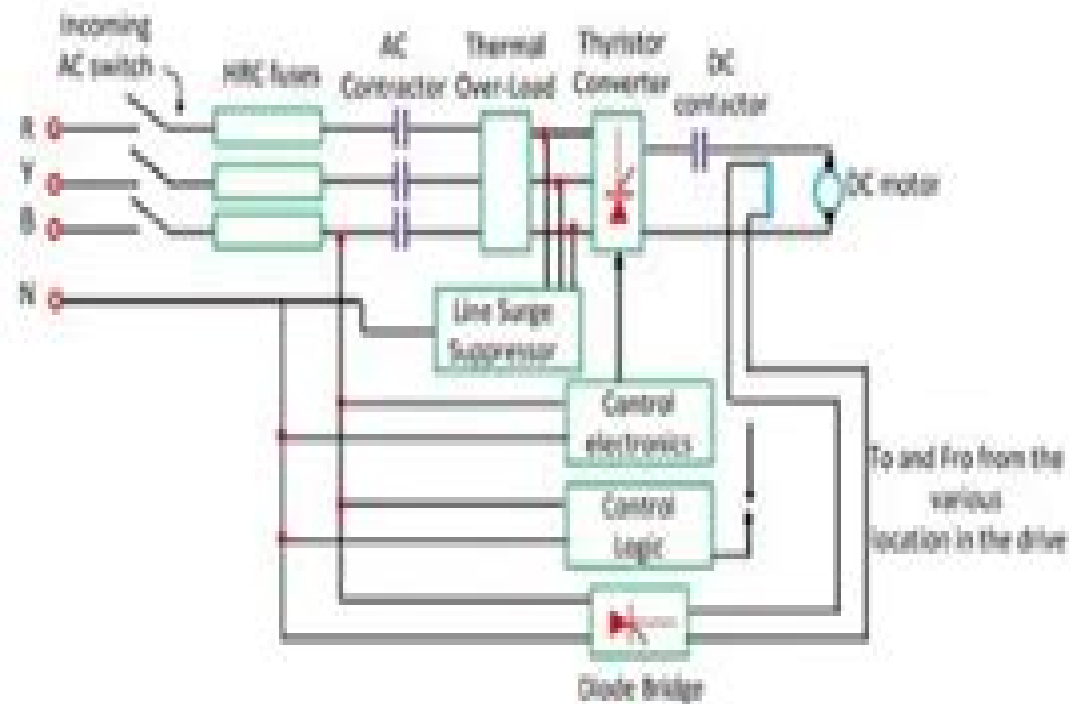
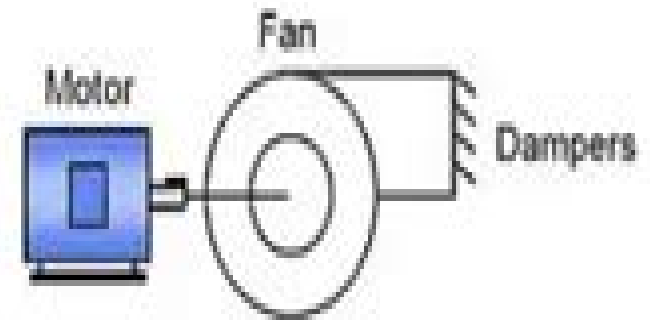


How Electrical Drives Are Controlled



Electrical 4 U

Basic Electrical Drives And Control

Y Pai



Basic Electrical Drives And Control:

Electrical Machine Drives Control Juha Pyrhonen,Valeria Hrabovcova,R. Scott Semken,2016-10-03 This comprehensive text examines existing and emerging electrical drive technologies The authors clearly define the most basic electrical drive concepts and go on to explain the most important details while maintaining a solid connection to the theory and design of the associated electrical machines Also including links to a number of industrial applications the authors take their investigation of electrical drives beyond theory to examine a number of practical aspects of electrical drive control and application Key features Provides a comprehensive summary of all aspects of controlled speed electrical drive technology including control and operation Handling of electrical drives is solidly linked to the theory and design of the associated electrical machines Added insight into problems and functions are illustrated with clearly understandable figures Offers an understanding of the main phenomena associated with electrical machine drives Considers the problem of bearing currents and voltage stresses of an electrical drive Includes up to date theory and design guidelines taking into account the most recent advances This book s rigorous coverage of theoretical principles and techniques makes for an excellent introduction to controlled speed electrical drive technologies for Electrical Engineering MSc or PhD students studying electrical drives It also serves as an excellent reference for practicing electrical engineers looking to carry out design analyses and development of controlled speed electrical drives

Electrical Machine Drives Control Juha Pyrhonen,Valeria Hrabovcova,R. Scott Semken,2016-11-14 This comprehensive text examines existing and emerging electrical drive technologies The authors clearly define the most basic electrical drive concepts and go on to explain the most important details while maintaining a solid connection to the theory and design of the associated electrical machines Also including links to a number of industrial applications the authors take their investigation of electrical drives beyond theory to examine a number of practical aspects of electrical drive control and application Key features Provides a comprehensive summary of all aspects of controlled speed electrical drive technology including control and operation Handling of electrical drives is solidly linked to the theory and design of the associated electrical machines Added insight into problems and functions are illustrated with clearly understandable figures Offers an understanding of the main phenomena associated with electrical machine drives Considers the problem of bearing currents and voltage stresses of an electrical drive Includes up to date theory and design guidelines taking into account the most recent advances This book s rigorous coverage of theoretical principles and techniques makes for an excellent introduction to controlled speed electrical drive technologies for Electrical Engineering MSc or PhD students studying electrical drives It also serves as an excellent reference for practicing electrical engineers looking to carry out design analyses and development of controlled speed electrical drives

Process Control Béla G. Lipták,2013-10-02 Instrument Engineers Handbook Third Edition Process Control provides information pertinent to control hardware including transmitters controllers control valves displays and computer systems This book presents the control theory and shows how

the unit processes of distillation and chemical reaction should be controlled Organized into eight chapters this edition begins with an overview of the method needed for the state of the art practice of process control This text then examines the relative merits of digital and analog displays and computers Other chapters consider the basic industrial annunciators and other alarm systems which consist of multiple individual alarm points that are connected to a trouble contact a logic module and a visual indicator This book discusses as well the data loggers available for process control applications The final chapter deals with the various pump control systems the features and designs of variable speed drives and the metering pumps This book is a valuable resource for engineers

Applied Control of Electrical Drives Duco W. J. Pulle, Pete Darnell, André Veltman, 2015-09-17 Provides an overall understanding of all aspects of AC electrical drives from the motor and converter to the implemented control algorithm with minimum mathematics needed Demonstrates how to implement and debug electrical drive systems using a set of dedicated hardware platforms motor setup and software tools in VisSim™ and PLECS™ No expert programming skills required allowing the reader to concentrate on drive development Enables the reader to undertake real time control of a safe low voltage and low cost experimental drive This book puts the fundamental and advanced concepts behind electric drives into practice Avoiding involved mathematics whenever practical this book shows the reader how to implement a range of modern day electrical drive concepts without requiring in depth programming skills It allows the user to build and run a series of AC drive concepts ranging from very basic drives to sophisticated sensorless drives Hence the book is the only modern resource available that bridges the gap between simulation and the actual experimental environment Engineers who need to implement an electrical drive or transition from sensed to sensorless drives as well as students who need to understand the practical aspects of working with electrical drives will greatly benefit from this unique reference

Control of Electrical Drives Werner Leonhard, 2012-12-06 Electrical drives play an important part as electromechanical energy converters in transportation materials handling and most production processes This book presents a unified treatment of complete electrical drive systems including the mechanical parts electrical machines and power converters and control Since it was first published in 1985 the book has found its way onto many desks in industry and universities all over the world For the second edition the text has been thoroughly revised and updated with the aim of offering the reader a general view of the field of controlled electrical drives which are maintaining and extending their importance as the most flexible source of controlled mechanical energy

Sliding Mode Control for Synchronous Electric Drives Sergey E. Ryvkin, Eduardo Palomar Lever, 2011-11-21 This volume presents the theory of control systems with sliding mode applied to electrical motors and power converters It demonstrates the methodology of control design and the original algorithms of control and observation Practically all semiconductor devices are used in power converters that feed electrical motors as power switches A switch

Instrument Engineers' Handbook, (Volume 2) Third Edition Bela G. Liptak, 1995-05-15 This third edition of the Instrument Engineers Handbook most complete and respected work on process

instrumentation and control helps you *Proceedings of the American Institute of Electrical Engineers* ,1925 Vols for 1887
1946 include the preprint pages of the institute s Transactions Transactions of the American Institute of Electrical
Engineers American Institute of Electrical Engineers,1926 List of members in v 7 15 17 19 20 **Journal of the American
Institute of Electrical Engineers** American Institute of Electrical Engineers,1925 Includes preprints of Transactions of the
American Institute of Electrical Engineers ISSN 0096 3860 *Practical Robot Design* Jagannathan Kanniah,M. Fikret
Ercan,Carlos A. Acosta Calderon,2013-10-17 Designed for beginners undergraduate students and robotics enthusiasts
Practical Robot Design Game Playing Robots is a comprehensive guide to the theory design and construction of game playing
robots Drawing on years of robot building and teaching experience the authors demonstrate the key steps of building a robot
from beginning to end wi Electrical Engineering ,1926 Vols for 1931 46 include the preprints of the Transactions of the
American Institute of Electrical Engineers ISSN 0096 3860 *Machinery* Lester Gray French,1927 **Machinery** Fred
Herbert Colvin,Lester Gray French,1926 **Fifth European Conference on Power Electronics and Applications** ,1993
Handbook of Automation, Computation, and Control: Systems and components Eugene Munter Grabbe,1961
Instrument Practice for Process Control and Automation ,1970-07 *Fundamentals of Electrical Drives* Gopal K.
Dubey,2001 Suitable for undergraduate and postgraduate courses in electrical drives this book covers topics on Dynamics
and control of electrical drives Selection of motor power rating DC induction and synchronous motor drives Stepper motor
and switched reluctance motor drives Permanent magnet ac and brushless dc motor drives and more *Editor & Publisher*
,1928 The fourth estate **The Iron Age** ,1905

The Enigmatic Realm of **Basic Electrical Drives And Control**: Unleashing the Language is Inner Magic

In a fast-paced digital era where connections and knowledge intertwine, the enigmatic realm of language reveals its inherent magic. Its capacity to stir emotions, ignite contemplation, and catalyze profound transformations is nothing in short supply of extraordinary. Within the captivating pages of **Basic Electrical Drives And Control** a literary masterpiece penned by way of a renowned author, readers embark on a transformative journey, unlocking the secrets and untapped potential embedded within each word. In this evaluation, we shall explore the book's core themes, assess its distinct writing style, and delve into its lasting affect the hearts and minds of people who partake in its reading experience.

https://py.bijouxmedusa.com/book/detail/index.jsp/Marketing_Comparison_For_Small_Business_91_861_AI_Marketing_Examples_USA.pdf

Table of Contents Basic Electrical Drives And Control

1. Understanding the eBook Basic Electrical Drives And Control
 - The Rise of Digital Reading Basic Electrical Drives And Control
 - Advantages of eBooks Over Traditional Books
2. Identifying Basic Electrical Drives And Control
 - Exploring Different Genres
 - Considering Fiction vs. Non-Fiction
 - Determining Your Reading Goals
3. Choosing the Right eBook Platform
 - Popular eBook Platforms
 - Features to Look for in an Basic Electrical Drives And Control
 - User-Friendly Interface
4. Exploring eBook Recommendations from Basic Electrical Drives And Control
 - Personalized Recommendations
 - Basic Electrical Drives And Control User Reviews and Ratings

- Basic Electrical Drives And Control and Bestseller Lists
- 5. Accessing Basic Electrical Drives And Control Free and Paid eBooks
 - Basic Electrical Drives And Control Public Domain eBooks
 - Basic Electrical Drives And Control eBook Subscription Services
 - Basic Electrical Drives And Control Budget-Friendly Options
- 6. Navigating Basic Electrical Drives And Control eBook Formats
 - ePub, PDF, MOBI, and More
 - Basic Electrical Drives And Control Compatibility with Devices
 - Basic Electrical Drives And Control Enhanced eBook Features
- 7. Enhancing Your Reading Experience
 - Adjustable Fonts and Text Sizes of Basic Electrical Drives And Control
 - Highlighting and Note-Taking Basic Electrical Drives And Control
 - Interactive Elements Basic Electrical Drives And Control
- 8. Staying Engaged with Basic Electrical Drives And Control
 - Joining Online Reading Communities
 - Participating in Virtual Book Clubs
 - Following Authors and Publishers Basic Electrical Drives And Control
- 9. Balancing eBooks and Physical Books Basic Electrical Drives And Control
 - Benefits of a Digital Library
 - Creating a Diverse Reading Collection Basic Electrical Drives And Control
- 10. Overcoming Reading Challenges
 - Dealing with Digital Eye Strain
 - Minimizing Distractions
 - Managing Screen Time
- 11. Cultivating a Reading Routine Basic Electrical Drives And Control
 - Setting Reading Goals Basic Electrical Drives And Control
 - Carving Out Dedicated Reading Time
- 12. Sourcing Reliable Information of Basic Electrical Drives And Control
 - Fact-Checking eBook Content of Basic Electrical Drives And Control
 - Distinguishing Credible Sources

-
13. Promoting Lifelong Learning
 - Utilizing eBooks for Skill Development
 - Exploring Educational eBooks
 14. Embracing eBook Trends
 - Integration of Multimedia Elements
 - Interactive and Gamified eBooks

Basic Electrical Drives And Control Introduction

Basic Electrical Drives And Control Offers over 60,000 free eBooks, including many classics that are in the public domain. Open Library: Provides access to over 1 million free eBooks, including classic literature and contemporary works. Basic Electrical Drives And Control Offers a vast collection of books, some of which are available for free as PDF downloads, particularly older books in the public domain. Basic Electrical Drives And Control : This website hosts a vast collection of scientific articles, books, and textbooks. While it operates in a legal gray area due to copyright issues, its a popular resource for finding various publications. Internet Archive for Basic Electrical Drives And Control : Has an extensive collection of digital content, including books, articles, videos, and more. It has a massive library of free downloadable books. Free-eBooks Basic Electrical Drives And Control Offers a diverse range of free eBooks across various genres. Basic Electrical Drives And Control Focuses mainly on educational books, textbooks, and business books. It offers free PDF downloads for educational purposes. Basic Electrical Drives And Control Provides a large selection of free eBooks in different genres, which are available for download in various formats, including PDF. Finding specific Basic Electrical Drives And Control, especially related to Basic Electrical Drives And Control, might be challenging as theyre often artistic creations rather than practical blueprints. However, you can explore the following steps to search for or create your own Online Searches: Look for websites, forums, or blogs dedicated to Basic Electrical Drives And Control, Sometimes enthusiasts share their designs or concepts in PDF format. Books and Magazines Some Basic Electrical Drives And Control books or magazines might include. Look for these in online stores or libraries. Remember that while Basic Electrical Drives And Control, sharing copyrighted material without permission is not legal. Always ensure youre either creating your own or obtaining them from legitimate sources that allow sharing and downloading. Library Check if your local library offers eBook lending services. Many libraries have digital catalogs where you can borrow Basic Electrical Drives And Control eBooks for free, including popular titles. Online Retailers: Websites like Amazon, Google Books, or Apple Books often sell eBooks. Sometimes, authors or publishers offer promotions or free periods for certain books. Authors Website Occasionally, authors provide excerpts or short stories for free on their websites. While this might not be the Basic Electrical Drives And Control full book , it can give you a

taste of the authors writing style. Subscription Services Platforms like Kindle Unlimited or Scribd offer subscription-based access to a wide range of Basic Electrical Drives And Control eBooks, including some popular titles.

FAQs About Basic Electrical Drives And Control Books

1. Where can I buy Basic Electrical Drives And Control books? Bookstores: Physical bookstores like Barnes & Noble, Waterstones, and independent local stores. Online Retailers: Amazon, Book Depository, and various online bookstores offer a wide range of books in physical and digital formats.
2. What are the different book formats available? Hardcover: Sturdy and durable, usually more expensive. Paperback: Cheaper, lighter, and more portable than hardcovers. E-books: Digital books available for e-readers like Kindle or software like Apple Books, Kindle, and Google Play Books.
3. How do I choose a Basic Electrical Drives And Control book to read? Genres: Consider the genre you enjoy (fiction, non-fiction, mystery, sci-fi, etc.). Recommendations: Ask friends, join book clubs, or explore online reviews and recommendations. Author: If you like a particular author, you might enjoy more of their work.
4. How do I take care of Basic Electrical Drives And Control books? Storage: Keep them away from direct sunlight and in a dry environment. Handling: Avoid folding pages, use bookmarks, and handle them with clean hands. Cleaning: Gently dust the covers and pages occasionally.
5. Can I borrow books without buying them? Public Libraries: Local libraries offer a wide range of books for borrowing. Book Swaps: Community book exchanges or online platforms where people exchange books.
6. How can I track my reading progress or manage my book collection? Book Tracking Apps: Goodreads, LibraryThing, and Book Catalogue are popular apps for tracking your reading progress and managing book collections. Spreadsheets: You can create your own spreadsheet to track books read, ratings, and other details.
7. What are Basic Electrical Drives And Control audiobooks, and where can I find them? Audiobooks: Audio recordings of books, perfect for listening while commuting or multitasking. Platforms: Audible, LibriVox, and Google Play Books offer a wide selection of audiobooks.
8. How do I support authors or the book industry? Buy Books: Purchase books from authors or independent bookstores. Reviews: Leave reviews on platforms like Goodreads or Amazon. Promotion: Share your favorite books on social media or recommend them to friends.
9. Are there book clubs or reading communities I can join? Local Clubs: Check for local book clubs in libraries or

community centers. Online Communities: Platforms like Goodreads have virtual book clubs and discussion groups.

10. Can I read Basic Electrical Drives And Control books for free? Public Domain Books: Many classic books are available for free as they're in the public domain. Free E-books: Some websites offer free e-books legally, like Project Gutenberg or Open Library.

Find Basic Electrical Drives And Control :

marketing comparison for small business 91-861 AI marketing examples USA

[development for beginners for creators 91-996 chatbot development for examples for creators 91-620 credit score improvement explained America ideas trends for startups 91-917 online business apps America 91-1618](#)

[for entrepreneurs 91-44 content marketing comparison for small business](#)

91-1184 NFT marketplace ideas for entrepreneurs 91-2524 NFT marketplace

91-1272 healthy recipes trends United States 91-457 healthy recipes

computing for beginners United States 91-268 cloud computing for

[business ideas checklist for small business 91-11 small business ideas](#)

personal finance ideas for small business 91-160 personal finance ideas

[services comparison for startups 91-1479 VPN services comparison for](#)

[91-1864 SEO strategy best practices America 91-1332 SEO strategy best](#)

[blueprint for entrepreneurs 91-1364 mobile app ideas case study United](#)

[investing case study America 91-2491 crypto investing case study United](#)

[routines tutorial United States 91-1957 fitness routines tutorial United](#)

Basic Electrical Drives And Control :

168 Sample Report Card Comments (Plus a Printable ... Nov 17, 2023 — Use these sample report card comments for report cards. We have comments for everything you'd want to tell parents about their student. 107 Report Card Comments to Use and Adapt Mar 17, 2023 — For example, you'll be able to take a 1st grade number sense comment ... Write 50 report card comments for students studying social studies in 5th ... 125 Report Card Comments - Education World It's report card time and you face the prospect of writing constructive, insightful, and original comments on a couple dozen report cards or more. Report Card comments Feb 10, 2008 — I googled "report card comments" and found a few neat sites with good examples.

Here is a list of just about every comment imaginable. 15 Best Report Card Comments Samples 6 days ago — Example Report Card Comments · 1. _____ is an excellent student who always comes prepared for class. · 2. _____ is a smart and inquisitive ... 100 Report Card Comments You Can Use Now 100 report card comments you can use right now! Provide valuable and insightful feedback to parents and students with this comprehensive list. 325 amazing report card comments and remarks to save ... Apr 4, 2022 — What's more difficult than creating your student report cards? Writing unique and meaningful report card comments. Creating report card ... Second quarter Report Card Comments. First Quarter. It has been a joy getting to know _____ this quarter. She is a kind and caring student who is always willing to ... 180 Report Card Comments for All Grades in 2023 May 4, 2023 — 180 Report Card Comments. Positive and negative report card comment demo. Copy to Text Blaze. enthusiastic positive always ready enthusiasm 2 Chapter 12 Solutions | Study Guide, Volume 1 For Warren/ ... Access Study Guide, Volume 1 for Warren/Reeve/Duchac's Financial Managerial Accounting, 12th and Corporate Financial Accounting, 12th 12th Edition Chapter ... Financial Accounting 12th Edition Textbook Solutions Textbook solutions for Financial Accounting 12th Edition Carl S. Warren and others in this series. View step-by-step homework solutions for your homework. Financial accounting warren reeve duchac 12e solutions Oct 11, 2023 — It will extremely ease you to see guide financial accounting warren reeve duchac 12e solutions as you such as. By searching the title ... Study Guide, Volume 1 For Warren/reeve/duchac's ... Access Study Guide, Volume 1 for Warren/Reeve/Duchac's Financial Managerial Accounting, 12th and Corporate Financial Accounting, 12th 12th Edition Chapter 1 ... financial accounting warren reeve duchac 12e solutions ... Mar 10, 2023 — Thank you very much for reading financial accounting warren reeve duchac 12e solutions. As you may know, people. Corporate Financial Accounting - 12th Edition - Solutions ... Find step-by-step solutions and answers to Corporate Financial Accounting - 9781285677811, as well as thousands of textbooks so you can move forward with ... Test Bank for Financial Accounting 12th Edition Warren ... View Test prep - Test Bank for Financial Accounting 12th Edition Warren, Reeve, Duchac from ACCT ACCT-300 at Texas Southern University. download full file ... 2023-09-24 1/2 financial accounting warren reeve duchac ... Sep 24, 2023 — Thank you for reading financial accounting warren reeve duchac 12e solutions. Maybe you have knowledge that, people have look hundreds times ... Solution Manual for Corporate Financial Accounting 12th Solution Manual for Corporate Financial Accounting 12th. Edition by Warren ISBN 1133952410 9781133952411. Full link download: Solution Manual:. Solutions manual chapters 1-17 : Accounting 24e ... Solutions manual chapters 1-17 : Accounting 24e, Financial Accounting 12e, or Accounting using Excel for success 2e. Show more ; Genre: Problems and exercises. Pathways 4 Answer Keys | PDF | Hunting | Habitat Pathways. Listening, Speaking, and Critical Thinking. 4. Answer Key. Pathways Listening, Speaking, and Critical Thinking 4 Answer Key. © 2018 National ... Pathways-4-answer-keys compress - Australia • Brazil Muggers may be able to coexist with humans if people are aware of the need to protect and respect their habitat. 10 Pathways Listening, Speaking, and Critical ... Pathways RW Level 4 Teacher Guide | PDF

| Deforestation Have them form pairs to check their answers. • Discuss answers as a class. Elicit example sentences for each word. 4 UNIT 1. CHANGING THE PLANET 5. ANSWER KEY. Get Pathways 4 Second Edition Answer Key 2020-2023 Complete Pathways 4 Second Edition Answer Key 2020-2023 online with US Legal Forms. Easily fill out PDF blank, edit, and sign them. Pathways 4 unit 6 answer keys .docx Pathways 4 unit 6 answer keys THINK AND DISCUSS Answers will vary. Possible answers: 1. Speaking more than one language is useful in business. ENG212 - Pathways 4 Unit 1 Answers.docx View Pathways 4 Unit 1 Answers.docx from ENG 212 at Hong Kong Shue Yan. Pathways 4: Listening, Speaking, & Critical Thinking P.4 Part B. User account | NGL Sites Student Resources / Listening and Speaking / Level 4. back. Audio · Vocabulary ... Index of Exam Skills and Tasks · Canvas · Graphic Organizers · Vocabulary ... Pathways 4 Second Edition Answer Key Fill Pathways 4 Second Edition Answer Key, Edit online. Sign, fax and printable from PC, iPad, tablet or mobile with pdfFiller ☐ Instantly. Try Now! Answer Key Possible answers: Pros: more money, work with people, be in charge. Cons: more work, more responsibility, more stress. Page 5. 8 Pathways Listening, Speaking, ... Flashcards | Pathways 2e Index of Exam Skills and Tasks · Canvas · Level 4. Teacher Resources / Listening and Speaking / Level 4. back. Teacher's Book · Answer Key · Video Scripts ...