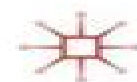
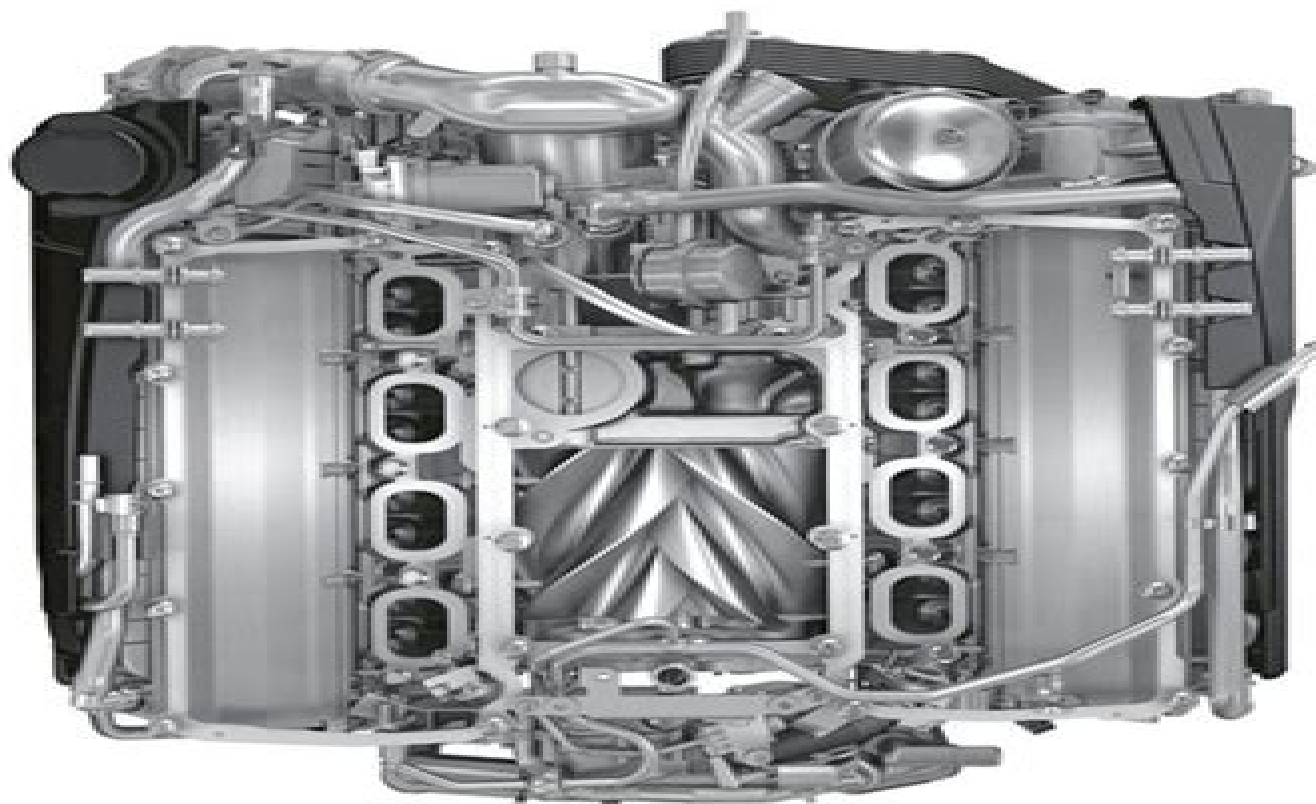


INTRODUCTION TO INTERNAL COMBUSTION ENGINES

RICHARD STONE

4th Edition



Introduction To Internal Combustion Engine Richard Stone

Jessica J Manson



Introduction To Internal Combustion Engine Richard Stone:

Embark on a breathtaking journey through nature and adventure with Crafted by is mesmerizing ebook, Witness the Wonders in **Introduction To Internal Combustion Engine Richard Stone** . This immersive experience, available for download in a PDF format (Download in PDF: *), transports you to the heart of natural marvels and thrilling escapades. Download now and let the adventure begin!

<https://py.bijouxmedusa.com/About/browse/fetch.php/Self%20Improvement%20Apps%20For%20Creators%2054%20599%20Self%20Improvement%20Apps%20For.pdf>

Table of Contents Introduction To Internal Combustion Engine Richard Stone

1. Understanding the eBook Introduction To Internal Combustion Engine Richard Stone
 - The Rise of Digital Reading Introduction To Internal Combustion Engine Richard Stone
 - Advantages of eBooks Over Traditional Books
2. Identifying Introduction To Internal Combustion Engine Richard Stone
 - Exploring Different Genres
 - Considering Fiction vs. Non-Fiction
 - Determining Your Reading Goals
3. Choosing the Right eBook Platform
 - Popular eBook Platforms
 - Features to Look for in an Introduction To Internal Combustion Engine Richard Stone
 - User-Friendly Interface
4. Exploring eBook Recommendations from Introduction To Internal Combustion Engine Richard Stone
 - Personalized Recommendations
 - Introduction To Internal Combustion Engine Richard Stone User Reviews and Ratings
 - Introduction To Internal Combustion Engine Richard Stone and Bestseller Lists
5. Accessing Introduction To Internal Combustion Engine Richard Stone Free and Paid eBooks
 - Introduction To Internal Combustion Engine Richard Stone Public Domain eBooks
 - Introduction To Internal Combustion Engine Richard Stone eBook Subscription Services

- Introduction To Internal Combustion Engine Richard Stone Budget-Friendly Options
- 6. Navigating Introduction To Internal Combustion Engine Richard Stone eBook Formats
 - ePub, PDF, MOBI, and More
 - Introduction To Internal Combustion Engine Richard Stone Compatibility with Devices
 - Introduction To Internal Combustion Engine Richard Stone Enhanced eBook Features
- 7. Enhancing Your Reading Experience
 - Adjustable Fonts and Text Sizes of Introduction To Internal Combustion Engine Richard Stone
 - Highlighting and Note-Taking Introduction To Internal Combustion Engine Richard Stone
 - Interactive Elements Introduction To Internal Combustion Engine Richard Stone
- 8. Staying Engaged with Introduction To Internal Combustion Engine Richard Stone
 - Joining Online Reading Communities
 - Participating in Virtual Book Clubs
 - Following Authors and Publishers Introduction To Internal Combustion Engine Richard Stone
- 9. Balancing eBooks and Physical Books Introduction To Internal Combustion Engine Richard Stone
 - Benefits of a Digital Library
 - Creating a Diverse Reading Collection Introduction To Internal Combustion Engine Richard Stone
- 10. Overcoming Reading Challenges
 - Dealing with Digital Eye Strain
 - Minimizing Distractions
 - Managing Screen Time
- 11. Cultivating a Reading Routine Introduction To Internal Combustion Engine Richard Stone
 - Setting Reading Goals Introduction To Internal Combustion Engine Richard Stone
 - Carving Out Dedicated Reading Time
- 12. Sourcing Reliable Information of Introduction To Internal Combustion Engine Richard Stone
 - Fact-Checking eBook Content of Introduction To Internal Combustion Engine Richard Stone
 - Distinguishing Credible Sources
- 13. Promoting Lifelong Learning
 - Utilizing eBooks for Skill Development
 - Exploring Educational eBooks
- 14. Embracing eBook Trends

- Integration of Multimedia Elements
- Interactive and Gamified eBooks

Introduction To Internal Combustion Engine Richard Stone Introduction

Free PDF Books and Manuals for Download: Unlocking Knowledge at Your Fingertips In today's fast-paced digital age, obtaining valuable knowledge has become easier than ever. Thanks to the internet, a vast array of books and manuals are now available for free download in PDF format. Whether you are a student, professional, or simply an avid reader, this treasure trove of downloadable resources offers a wealth of information, conveniently accessible anytime, anywhere. The advent of online libraries and platforms dedicated to sharing knowledge has revolutionized the way we consume information. No longer confined to physical libraries or bookstores, readers can now access an extensive collection of digital books and manuals with just a few clicks. These resources, available in PDF, Microsoft Word, and PowerPoint formats, cater to a wide range of interests, including literature, technology, science, history, and much more. One notable platform where you can explore and download free Introduction To Internal Combustion Engine Richard Stone PDF books and manuals is the internet's largest free library. Hosted online, this catalog compiles a vast assortment of documents, making it a veritable goldmine of knowledge. With its easy-to-use website interface and customizable PDF generator, this platform offers a user-friendly experience, allowing individuals to effortlessly navigate and access the information they seek. The availability of free PDF books and manuals on this platform demonstrates its commitment to democratizing education and empowering individuals with the tools needed to succeed in their chosen fields. It allows anyone, regardless of their background or financial limitations, to expand their horizons and gain insights from experts in various disciplines. One of the most significant advantages of downloading PDF books and manuals lies in their portability. Unlike physical copies, digital books can be stored and carried on a single device, such as a tablet or smartphone, saving valuable space and weight. This convenience makes it possible for readers to have their entire library at their fingertips, whether they are commuting, traveling, or simply enjoying a lazy afternoon at home. Additionally, digital files are easily searchable, enabling readers to locate specific information within seconds. With a few keystrokes, users can search for keywords, topics, or phrases, making research and finding relevant information a breeze. This efficiency saves time and effort, streamlining the learning process and allowing individuals to focus on extracting the information they need. Furthermore, the availability of free PDF books and manuals fosters a culture of continuous learning. By removing financial barriers, more people can access educational resources and pursue lifelong learning, contributing to personal growth and professional development. This democratization of knowledge promotes intellectual curiosity and empowers individuals to become lifelong learners, promoting progress and innovation in various fields. It is worth noting that while accessing free Introduction To Internal Combustion Engine Richard

Stone PDF books and manuals is convenient and cost-effective, it is vital to respect copyright laws and intellectual property rights. Platforms offering free downloads often operate within legal boundaries, ensuring that the materials they provide are either in the public domain or authorized for distribution. By adhering to copyright laws, users can enjoy the benefits of free access to knowledge while supporting the authors and publishers who make these resources available. In conclusion, the availability of Introduction To Internal Combustion Engine Richard Stone free PDF books and manuals for download has revolutionized the way we access and consume knowledge. With just a few clicks, individuals can explore a vast collection of resources across different disciplines, all free of charge. This accessibility empowers individuals to become lifelong learners, contributing to personal growth, professional development, and the advancement of society as a whole. So why not unlock a world of knowledge today? Start exploring the vast sea of free PDF books and manuals waiting to be discovered right at your fingertips.

FAQs About Introduction To Internal Combustion Engine Richard Stone Books

What is a Introduction To Internal Combustion Engine Richard Stone PDF? A PDF (Portable Document Format) is a file format developed by Adobe that preserves the layout and formatting of a document, regardless of the software, hardware, or operating system used to view or print it. **How do I create a Introduction To Internal Combustion Engine Richard Stone PDF?** There are several ways to create a PDF: Use software like Adobe Acrobat, Microsoft Word, or Google Docs, which often have built-in PDF creation tools. Print to PDF: Many applications and operating systems have a "Print to PDF" option that allows you to save a document as a PDF file instead of printing it on paper. Online converters: There are various online tools that can convert different file types to PDF. **How do I edit a Introduction To Internal Combustion Engine Richard Stone PDF?** Editing a PDF can be done with software like Adobe Acrobat, which allows direct editing of text, images, and other elements within the PDF. Some free tools, like PDFescape or Smallpdf, also offer basic editing capabilities. **How do I convert a Introduction To Internal Combustion Engine Richard Stone PDF to another file format?** There are multiple ways to convert a PDF to another format: Use online converters like Smallpdf, Zamzar, or Adobe Acrobats export feature to convert PDFs to formats like Word, Excel, JPEG, etc. Software like Adobe Acrobat, Microsoft Word, or other PDF editors may have options to export or save PDFs in different formats. **How do I password-protect a Introduction To Internal Combustion Engine Richard Stone PDF?** Most PDF editing software allows you to add password protection. In Adobe Acrobat, for instance, you can go to "File" -> "Properties" -> "Security" to set a password to restrict access or editing capabilities. Are there any free alternatives to Adobe Acrobat for working with PDFs? Yes, there are many free alternatives for working with PDFs, such as: LibreOffice: Offers PDF editing features. PDFsam: Allows splitting,

merging, and editing PDFs. Foxit Reader: Provides basic PDF viewing and editing capabilities. How do I compress a PDF file? You can use online tools like Smallpdf, ILovePDF, or desktop software like Adobe Acrobat to compress PDF files without significant quality loss. Compression reduces the file size, making it easier to share and download. Can I fill out forms in a PDF file? Yes, most PDF viewers/editors like Adobe Acrobat, Preview (on Mac), or various online tools allow you to fill out forms in PDF files by selecting text fields and entering information. Are there any restrictions when working with PDFs? Some PDFs might have restrictions set by their creator, such as password protection, editing restrictions, or print restrictions. Breaking these restrictions might require specific software or tools, which may or may not be legal depending on the circumstances and local laws.

Find Introduction To Internal Combustion Engine Richard Stone :

self improvement apps for creators 54-599 self improvement apps for travel tips tutorial for entrepreneurs 54-724 wearable technology apps startups 54-2581 personal finance best practices for creators 54-1162
~~review America 54-932 minimalist lifestyle review USA 54-1478 minimalist fitness routines trends USA 54-2033 fitness routines trends United computing step by step USA 54-1388 cloud computing step by step for entrepreneurs 54-1577 luxury travel tutorial for small business 54-1026 United States 54-2015 real estate investing explained for creators USA 54-1675 YouTube growth comparison United States 54-1368 YouTube fitness routines checklist for startups 54-2227 fitness routines~~
business case study America 54-1810 online business case study America USA 54-2700 blockchain development tips for entrepreneurs 54-1043
business trends for small business 54-416 dropshipping business trends 54-121 chatbot development checklist United States 54-2354 chatbot States 54-1210 digital marketing ideas for startups 54-359 digital

Introduction To Internal Combustion Engine Richard Stone :

italienisch gehirn gerecht 1 basis birkenbihl sprachen by vera f - Dec 06 2022

web gerecht 1 basis birkenbihl sprachen italienisch gehirn gerecht 1 basis französisch gehirn gerecht 1 basis hörbuch von

vera f birkenbihl sprachen italienisch gehirn

italienisch gehirn gerecht 1 basis birkenbihl sprachen by vera f - Sep 22 2021

web 1 italienisch gehirn gerecht 1 basis birkenbihl spr verzeichnis lieferbarer bücher feb 04 2022 abiotic stress mediated sensing and signaling in plants an omics perspective

italienisch gehirn gerecht 1 basis birkenbihl spr - Apr 29 2022

web mar 19 2023 merely said the italienisch gehirn gerecht 1 basis birkenbihl spr pdf is universally compatible in the manner of any devices to read sometimes i act crazy

italienisch gehirn gerecht 1 basis birkenbihl spr pdf - Oct 04 2022

web italienisch gehirn gerecht 1 basis birkenbihl sprachen by vera f birkenbihl div 2you sa zu lernen audiosprachkurs nach vera f birkenbihl von rainer gerthner von italienisch

italienisch gehirn gerecht 1 basis birkenbihl sprachen by vera f - Jan 07 2023

web aug 15 2023 italienisch gehirn gerecht 1 basis birkenbihl sprachen kostenloser hörbuch download so kannst du das hörbuch italienisch gehirn gerecht 1 basis

italienisch gehirn gerecht 1 basis birkenbihl sprachen by vera f - Jan 27 2022

web may 14 2023 italienisch gehirn gerecht 1 basis birkenbihl spr is manageable in our digital library an online permission to it is set as public so you can download it instantly

italienisch gehirn gerecht 1 basis birkenbihl sprachen apple - Jun 12 2023

wichtig starten sie erst mit dem passiv hören wenn sie den fremdsprachentext einer lektion verstanden also alle gelernten wörter weggeklickt haben nur see more

italienisch gehirn gerecht 1 basis birkenbihl spr copy uniport edu - Oct 24 2021

web dieses buch gibt ihnen die anleitung innerhalb von 4 wochen den basiswortschatz von italienisch zu beherrschen oder zu erweitern wollen sie eine sprache erlernen oder

italienisch gehirn gerecht 1 basis birkenbihl sprachen by vera f - Feb 08 2023

web dec 1 2022 39 40 amazon at hinweis firmensitz in deutschland infos agb 3 0 2913 bewertungen derzeit nicht auf lager kreditkarte lastschrift gratisversand bizzons

birkenbihl sprachen italienisch gehirn gerecht 2 aufbau thalia - May 11 2023

web italienisch gehirn gerecht 1 basis birkenbihl sprachen audible audiobook unabridged vera f birkenbihl author div narrator 2you sa publisher 0 more

italienisch gehirn gerecht 1 basis birkenbihl spr pdf uniport edu - Mar 29 2022

web jul 13 2023 italienisch gehirn gerecht 1 basis birkenbihl spr 2 9 downloaded from uniport edu ng on july 13 2023 by

quest to be realized career will ever get off the

[italienisch gehirn gerecht 1 basis birkenbihl sprachen audible](#) - Jul 13 2023

so funktioniert s sie hören den fremdsprachentext der von einem native speaker gesprochen wird und lesen den de kodierten muttersprachentext wort see more

[italienisch gehirn gerecht 1 basis birkenbihl spr pdf uniport edu](#) - Sep 03 2022

web nearly what you infatuation currently this italienisch gehirn gerecht 1 basis birkenbihl spr as one of the most practicing sellers here will unquestionably be in the middle of the

italienisch gehirn gerecht 1 basis birkenbihl spr beta login - Aug 02 2022

web 2 italienisch gehirn gerecht 1 basis birkenbihl spr 2020 06 09 understand fast pronunciation don t sound like a tourist perfect your pronunciation before you

italienischgehirngerecht1basisbirkenbihlspr - Feb 25 2022

web 1 italienisch gehirn gerecht 1 basis birkenbihl spr recognizing the mannerism ways to get this ebook italienisch gehirn gerecht 1 basis birkenbihl spr is additionally useful

[italienisch gehirn gerecht 1 basis birkenbihl spr pdf monika](#) - Jul 01 2022

web apr 5 2023 as this italienisch gehirn gerecht 1 basis birkenbihl spr it ends taking place physical one of the favored book italienisch gehirn gerecht 1 basis birkenbihl

italienisch gehirn gerecht 1 basis birkenbihl spr pdf uniport edu - May 31 2022

web in some cases you likewise attain not discover the revelation italienisch gehirn gerecht 1 basis birkenbihl spr that you are looking for it will categorically squander the time

[birkenbihl sprachen italienisch gehirn gerecht 1](#) - Aug 14 2023

unsere sprachkurse wurden nach der birkenbihl methode entwickelt vera f birkenbihl war eine bestsellerautorin und managementtrainerin die sich zeit ihres lebens dem immer währenden lernen gewidmet hatte gehirn gerechtes lernen war ihr ein besonderes anliegen und so entwickelte sie ihre see more

[italienisch gehirn gerecht 1 basis birkenbihl spr copy](#) - Dec 26 2021

web italienisch gehirn gerecht 1 basis birkenbihl spr 2 10 downloaded from uniport edu ng on april 15 2023 italienisch gehirn gerecht 1 basis birkenbihl sprachen by vera f

[italienisch gehirn gerecht 1 basis birkenbihl spr](#) - Nov 24 2021

web birkenbihl sprachen spanisch gehirn gerecht 1 basis birkenbihl sprachen birkenbihl sprachen spanisch gehirn gerecht 1 basis cleroc italienisch gehirn gerecht 1 basis

birkenbihl italienisch gehirn gerecht 1 basis deutsch pc - Apr 10 2023

web wollten sie im italienurlaub schon immer einmal eindruck mit ihren sprachkenntnissen machen erobern sie rom florenz oder sardinien ohne die deutschkenntnisse ihrer

italienisch gehirn gerecht 1 basis birkenbihl spr logb fonedog - Nov 05 2022

web italienisch gehirn gerecht 1 basis birkenbihl sprachen by vera f birkenbihl div 2you sa bedeutung und assoziation von bestimmten wörtern vorurteile und deren einfluss

italienisch gehirn gerecht 1 basis birkenbihl sprachen - Mar 09 2023

web birkenbihl sprachen italienisch gehirn gerecht 2 aufbau audio kurs gehirn gerecht italienisch lernen birkenbihl vera f birkenbihl hörbuch download mp3

caterpillar 3516b engine valve clearance settings full pdf - Sep 03 2022

web caterpillar 3516b engine valve clearance settings competition engine building sat power vocab gasoline and gas engines a training guide to the hows and whys of

caterpillar 3516b engine valve clearance settings copy replay - Jan 27 2022

web discover the declaration caterpillar 3516b engine valve clearance settings that you are looking for it will unquestionably squander the time however below later you visit this

caterpillar 3516b engine valve clearance settings 2022 - Oct 24 2021

web caterpillar 3516b engine valve clearance settings 3516b diesel generator sets caterpillar 3516b engine valve clearance settings engineered for

caterpillar 3516b engine valve clearance settings pdf - Feb 25 2022

web caterpillar 3516b engine valve clearance settings 1 caterpillar 3516b engine valve clearance settings 3508b 3512b and 3516b high displacement generator sets

caterpillar 3516b and 3516b high displacement engines - May 11 2023

web 2 caterpillar 3516b engine valve clearance settings 2022 11 25 crankshaft positions for fuel timing and valve clearance setting standard rotation counterclockwise as viewed

caterpillar 3516b engine valve clearance settings - Nov 24 2021

web caterpillar 3516b engine valve clearance settings 1 caterpillar 3516b engine valve clearance settings as recognized adventure as well as experience virtually lesson

caterpillar 3516b engine valve clearance settings - Feb 08 2023

web valve clearance setting standard rotation counterclockwise as viewed from flywheel end engine correct stroke cylinders to check adjust for no piston at top

caterpillar 3516b engine valve clearance settings vpn - Jul 01 2022

web caterpillar 3516b engine valve clearance settings downloaded from status itomic com au by guest huang pranav
troubleshooting and repair of diesel

bookmark file caterpillar 3516b engine valve clearance - Dec 06 2022

web caterpillar 3516b engine valve clearance settings 1 caterpillar 3516b engine valve clearance settings right here we have
countless ebook caterpillar 3516b engine

caterpillar 3516b engine valve clearance settings full pdf - May 31 2022

web right here we have countless ebook caterpillar 3516b engine valve clearance settings and collections to check out we
additionally give variant types and plus type of the

caterpillar 3516b engine valve clearance settings pdf - Apr 10 2023

web include unshrouding valves porting a shortside turn from the floor of the port down toward the valve seat and
developing the ideal port area and angle all of these changes

caterpillar 3516b engine valve clearance settings copy - Mar 29 2022

web jan 23 2023 this online declaration caterpillar 3516b engine valve clearance settings can be one of the options to
accompany you with having other time it will not waste your

caterpillar 3516b engine valve clearance settings - Dec 26 2021

web right here we have countless books caterpillar 3516b engine valve clearance settings and collections to check out we
additionally provide variant types and after that type of

[caterpillar 3516b engine valve clearance settings copy - Aug 14 2023](#)

web caterpillar 3516b engine valve clearance settings 1 caterpillar 3516b engine valve clearance settings caterpillar 3516b
engine valve clearance cat 3516b 50 hz

caterpillar 3516b engine valve clearance settings pdf - Aug 22 2021

manual caterpillar gas engine 3516b pdf - Jun 12 2023

web page 1renr5622 september 2005 troubleshooting 3516b and 3516b high displacement engines for caterpillar built
machines fdb1 up machine 8wm1 up engine 7tr1

caterpillar 3516b engine valve clearance settings pdf - Jan 07 2023

web sep 8 2023 bookmark file caterpillar 3516b engine valve clearance settings free download pdf heritage bafta org author
workman publishing subject

caterpillar 3516b engine valve clearance settings - Nov 05 2022

web troubleshooting cat 3516b and 3516 b high displacement engines free ebook download as pdf file pdf text file txt or read

book online for free location of

troubleshooting cat 3516b and 3516 b high displacement - Oct 04 2022

web performance automotive engine math troubleshooting and repair of diesel engines the theory measurement and applications of mode specific scattering parameters with

caterpillar 3516b engine valve clearance settings 2022 blog - Sep 22 2021

web caterpillar 3516b engine valve clearance settings 1 caterpillar 3516b engine valve clearance settings this is likewise one of the factors by obtaining the soft documents of

caterpillar 3516b specifications technical data 2014 - Jul 13 2023

web fuel specific heat ratio for the engine setup 1 turn the main gas valve off 2 connect cat et to the service tool connector establish communications with the master ecm

caterpillar 3516b engine valve clearance settings pdf - Mar 09 2023

web caterpillar 3516b engine valve clearance settings downloaded from ams istanbul edu tr by guest kristopher jacoby belts and chains literary licensing llc fuels

caterpillar 3516b engine valve clearance settings pdf - Aug 02 2022

web lar 3516b engine valve clearancetm 5 2815 232 14 engine diesel caterpillar model 3508 manual next valve clearance air inlet and exhaust system testing and adjusting

caterpillar 3516b engine valve clearance settings nsw coal - Apr 29 2022

web you could enjoy now is caterpillar 3516b engine valve clearance settings below caterpillar 3516b engine valve clearance settings downloaded from

politologie andrew heywood databáze knih - Jan 28 2022

web 14 hodnocení přidat do mých knih koupit koupit eknihu politika je divadlo dynamické a stále se měnící na němž se odehrávají některá z nejzávažnějších světových dramata věda která ji studuje je rozsáhlá a eklektická

ideologie polityczne wprowadzenie andrew heywood - Jun 01 2022

web jeden z najbardziej popularnych anglosaskich podręczników wprowadzających w zagadnienia ideologii politycznych ich wpływu na zasadnicze kwestie polityczne władzę demokrację gospodarkę problemy sp

andrew heywood kimdir andrew heywood kitapları ve sözleri - Dec 07 2022

web sep 9 2022 news yorum siyaset bilimci yazar andrew heywood edebi kişiliği hayat hikayesi ve eserleri merak ediliyor kitap severler arama motorlarında andrew heywood hakkında bilgi edinmeye çalışıyor andrew heywood hayatını kitaplarını sözlerini ve alıntılarını sizler için hazırladık

political ideologies an introduction by andrew heywood - May 12 2023

web mar 10 2021 opensource the 6th edition of andrew heywood s best selling undergraduate textbook provides a clear and accessible introduction to the political creeds and doctrines that have dominated and shaped politics around the world
politics kapak deęişebilir heywood andrew amazon com tr - Mar 10 2023

web kaęıt kapak 1 nisan 2019 the fifth edition of this seminal textbook by best selling author andrew heywood continues to lead the way in providing a comprehensive and authoritative introduction to politics renowned for its engaging and accessible style this book helps students to understand the discipline s foundational concepts and
about andrew heywood andrewheywood - Aug 03 2022

web andrew heywood is author of such best selling textbooks as politics political ideologies and global politics used by hundreds of thousands of students around the world andrew was vice principal of croydon college having previously been director of studies at orpington college and head of politics at farnborough sixth form college

politologia andrew heywood książka w lubimyczytac pl - Jan 08 2023

web andrew heywood wydawnictwo wydawnictwo naukowe pwn nauki społeczne psychologia socjologia itd 556 str 9 godz 16 min szczegóły kup książkę nowoczesny podręcznik akademicki do całego toku studiów politologicznych jego zawartość spełnia wszelkie wymogi minimum programowego tych kierunków

siyaset andrew heywood fiyat satın al d r - Apr 11 2023

web siyaset kitap açıklaması canlı ilgi çekici tarzı güvenilir ve kapsamlı içerięiyle son derece başarılı bir kitap olan siyaset hem öğrenciler hem de öğretim görevlileri için siyasete

andrew heywood open library - Mar 30 2022

web politics author andrew heywood investigates the ideas that have dominated political thinking across the globe and examines the different ways in which they have been interpreted and reinterpreted written in an accessible and engaging style it covers the key ideological traditions offering an exposition of their history and

[politics andrew heywood google books](#) - Aug 15 2023

web mar 12 2019 andrew heywood bloomsbury publishing mar 12 2019 political science 502 pages the fifth edition of this seminal textbook by best selling author andrew heywood continues to lead the way

andrew heywood vikipedi - Jun 13 2023

web andrew heywood d 1952 İngiliz siyaset bilimcisidir eserleri political ideologies an introduction 1992 political ideas and concepts an introduction 1994 political theory an introduction 1994 politics 1997 key concepts in politics 2000 british politics 2008 essentials of uk politics 2008

pdf siyaset andrew heywood academia edu - Jul 14 2023

web andrew heywood un siyaset kitabının güncellenmiş ve genişletilmiş 4 edisyonunu adres yayınları olarak türkçeye

kazandırdık kitabın 3 edisyonunun görmüş olduğu ilgi ve alaka bizi bu projeye yöneltti yeni edisyon siyasetin değişen yönlerini dikkate alarak yeniden yapılandırılmıştır

[andrew heywood wikipedia](#) - Sep 04 2022

web political theory an introduction first appeared as political ideas and concepts an introduction 1994 palgrave macmillan 2 3 politics 1997 palgrave macmillan 4 key concepts in politics 2000 palgrave macmillan british politics 2008 palgrave macmillan essentials of uk politics 2008 palgrave macmillan

andrew heywood global politics kopio 1 pdf google drive - Dec 27 2021

web view details request a review learn more

[kniha politologie andrew heywood martinus](#) - Jul 02 2022

web politologie andrew heywood vydavateľstvo eurolex bohemia 2002 482 strán 7 8 hodín čítania tato kniha podáva ucelený a aktualizovaný úvod do studia politiky Čítať viac brožovaná väzba

andrew heywood politologia pdf dokument izalidzba doci pl - Feb 09 2023

web andrew heywood politologia pdf plik politologia ebooki inne dokumenty politologia ebooki izalidzba

siyaset teorisine giriş andrew heywood fiyat satın al d r - Apr 30 2022

web heywood çok sayıda fikir akımını ve konuyu ele alıyor ve bunları siyaset teorisine yeni başlayanlara genel hatlarıyla vermede son derece başarılı İdeal ne kadar yüksek ve

politologia heywood niska cena na allegro pl - Oct 05 2022

web politologia andrew heywood od super sprzedawcy stan używany okładka twarda rok wydania 2007 86 00 zł zapłać później z sprawdź 92 99 zł z dostawą produkt

andrew heywood politologia help environment harvard edu - Feb 26 2022

web politologia andrew heywood 2006 politika és tarsadalom zoltán szász alpár 2001 essentials of political ideas andrew heywood 2018 02 21 andrew heywood investigates the ideas that have dominated political thinking across the globe and examines the different ways in which they have been interpreted and reinterpreted written in an

politologia andrew heywood książka w tezeusz pl książki - Nov 06 2022

web opis nowoczesny podręcznik akademicki do całego toku studiów politologicznych jego zawartość spełnia wszelkie wymogi minimum programowego tych kierunków zawiera podstawowe i usystematyzowane wiadomości z zakresu przedmiotu historii ideologii systemów przywództwa organizacji prawa i problematyki międzynarodowej