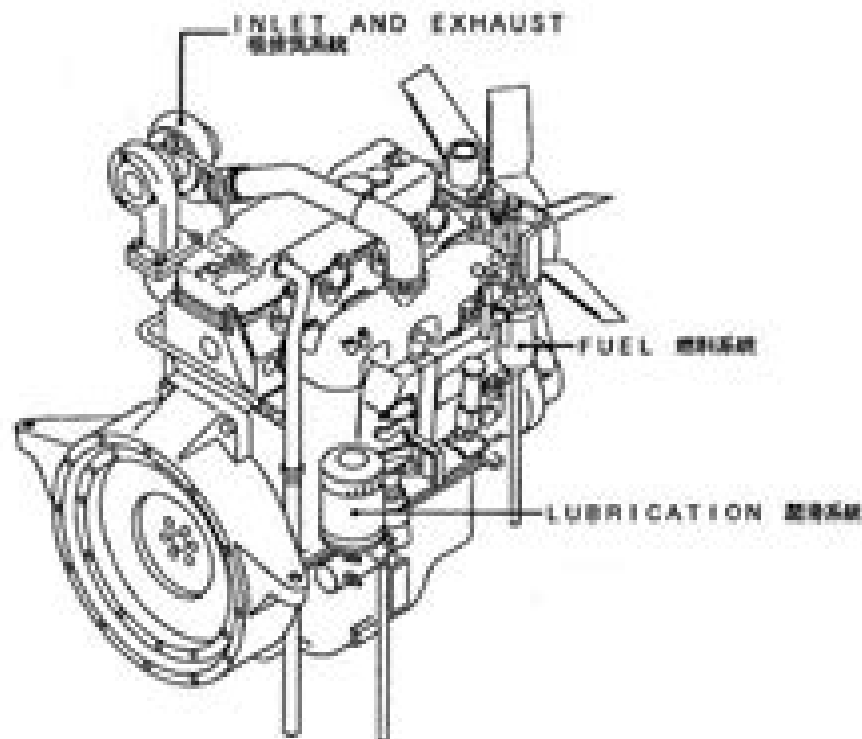
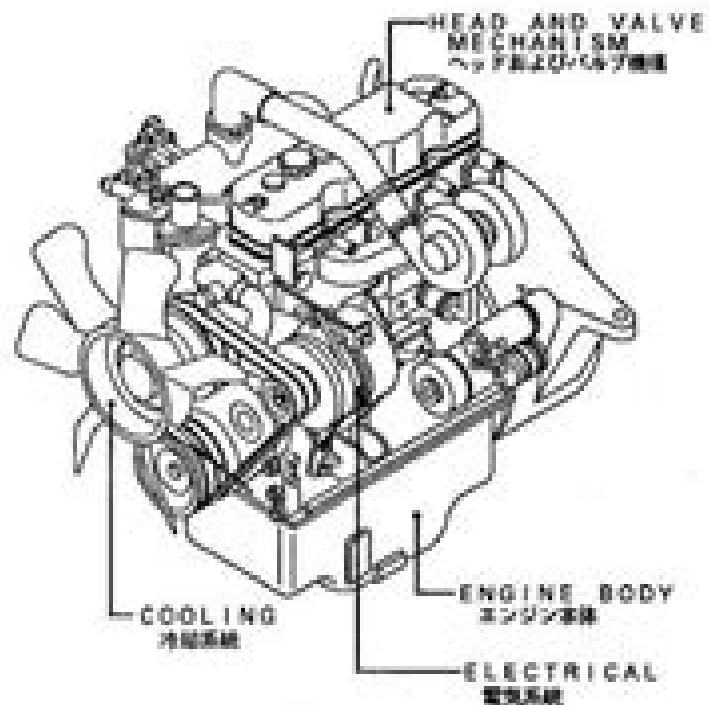


B-6 GENERAL INDEX 總索引



グループ GROUP	ロケーション LOCATION
ENGINE BODY エンジン本体C-2
HEAD AND VALVE MECHANISM ヘッドバルブ機構D-2
INLET AND EXHAUST 吸排気系統E-2
LUBRICATION 潤滑系統F-2
COOLING 冷却系統G-2
FUEL 燃料系統H-2
ELECTRICAL 電気系統I-2

Isuzu Diesel Engine Parts Manual

S Ben Porath



Isuzu Diesel Engine Parts Manual:

Isuzu Diesel Engine Parts Manual Book Review: Unveiling the Magic of Language

In an electronic era where connections and knowledge reign supreme, the enchanting power of language has become more apparent than ever. Its ability to stir emotions, provoke thought, and instigate transformation is really remarkable. This extraordinary book, aptly titled "**Isuzu Diesel Engine Parts Manual**," compiled by a highly acclaimed author, immerses readers in a captivating exploration of the significance of language and its profound impact on our existence. Throughout this critique, we shall delve into the book's central themes, evaluate its unique writing style, and assess its overall influence on its readership.

https://py.bijouxmedusa.com/files/scholarship/Documents/Motors_Drives_Motion_Controllers_Electric_Actuators.pdf

Table of Contents Isuzu Diesel Engine Parts Manual

1. Understanding the eBook Isuzu Diesel Engine Parts Manual
 - The Rise of Digital Reading Isuzu Diesel Engine Parts Manual
 - Advantages of eBooks Over Traditional Books
2. Identifying Isuzu Diesel Engine Parts Manual
 - Exploring Different Genres
 - Considering Fiction vs. Non-Fiction
 - Determining Your Reading Goals
3. Choosing the Right eBook Platform
 - Popular eBook Platforms
 - Features to Look for in an Isuzu Diesel Engine Parts Manual
 - User-Friendly Interface
4. Exploring eBook Recommendations from Isuzu Diesel Engine Parts Manual
 - Personalized Recommendations
 - Isuzu Diesel Engine Parts Manual User Reviews and Ratings
 - Isuzu Diesel Engine Parts Manual and Bestseller Lists

5. Accessing Isuzu Diesel Engine Parts Manual Free and Paid eBooks
 - Isuzu Diesel Engine Parts Manual Public Domain eBooks
 - Isuzu Diesel Engine Parts Manual eBook Subscription Services
 - Isuzu Diesel Engine Parts Manual Budget-Friendly Options
6. Navigating Isuzu Diesel Engine Parts Manual eBook Formats
 - ePub, PDF, MOBI, and More
 - Isuzu Diesel Engine Parts Manual Compatibility with Devices
 - Isuzu Diesel Engine Parts Manual Enhanced eBook Features
7. Enhancing Your Reading Experience
 - Adjustable Fonts and Text Sizes of Isuzu Diesel Engine Parts Manual
 - Highlighting and Note-Taking Isuzu Diesel Engine Parts Manual
 - Interactive Elements Isuzu Diesel Engine Parts Manual
8. Staying Engaged with Isuzu Diesel Engine Parts Manual
 - Joining Online Reading Communities
 - Participating in Virtual Book Clubs
 - Following Authors and Publishers Isuzu Diesel Engine Parts Manual
9. Balancing eBooks and Physical Books Isuzu Diesel Engine Parts Manual
 - Benefits of a Digital Library
 - Creating a Diverse Reading Collection Isuzu Diesel Engine Parts Manual
10. Overcoming Reading Challenges
 - Dealing with Digital Eye Strain
 - Minimizing Distractions
 - Managing Screen Time
11. Cultivating a Reading Routine Isuzu Diesel Engine Parts Manual
 - Setting Reading Goals Isuzu Diesel Engine Parts Manual
 - Carving Out Dedicated Reading Time
12. Sourcing Reliable Information of Isuzu Diesel Engine Parts Manual
 - Fact-Checking eBook Content of Isuzu Diesel Engine Parts Manual
 - Distinguishing Credible Sources
13. Promoting Lifelong Learning

- Utilizing eBooks for Skill Development
 - Exploring Educational eBooks
14. Embracing eBook Trends
- Integration of Multimedia Elements
 - Interactive and Gamified eBooks

Isuzu Diesel Engine Parts Manual Introduction

Free PDF Books and Manuals for Download: Unlocking Knowledge at Your Fingertips In today's fast-paced digital age, obtaining valuable knowledge has become easier than ever. Thanks to the internet, a vast array of books and manuals are now available for free download in PDF format. Whether you are a student, professional, or simply an avid reader, this treasure trove of downloadable resources offers a wealth of information, conveniently accessible anytime, anywhere. The advent of online libraries and platforms dedicated to sharing knowledge has revolutionized the way we consume information. No longer confined to physical libraries or bookstores, readers can now access an extensive collection of digital books and manuals with just a few clicks. These resources, available in PDF, Microsoft Word, and PowerPoint formats, cater to a wide range of interests, including literature, technology, science, history, and much more. One notable platform where you can explore and download free Isuzu Diesel Engine Parts Manual PDF books and manuals is the internet's largest free library. Hosted online, this catalog compiles a vast assortment of documents, making it a veritable goldmine of knowledge. With its easy-to-use website interface and customizable PDF generator, this platform offers a user-friendly experience, allowing individuals to effortlessly navigate and access the information they seek. The availability of free PDF books and manuals on this platform demonstrates its commitment to democratizing education and empowering individuals with the tools needed to succeed in their chosen fields. It allows anyone, regardless of their background or financial limitations, to expand their horizons and gain insights from experts in various disciplines. One of the most significant advantages of downloading PDF books and manuals lies in their portability. Unlike physical copies, digital books can be stored and carried on a single device, such as a tablet or smartphone, saving valuable space and weight. This convenience makes it possible for readers to have their entire library at their fingertips, whether they are commuting, traveling, or simply enjoying a lazy afternoon at home. Additionally, digital files are easily searchable, enabling readers to locate specific information within seconds. With a few keystrokes, users can search for keywords, topics, or phrases, making research and finding relevant information a breeze. This efficiency saves time and effort, streamlining the learning process and allowing individuals to focus on extracting the information they need. Furthermore, the availability of free PDF books and manuals fosters a culture of continuous learning. By removing financial barriers, more people can access educational resources and pursue lifelong learning, contributing to

personal growth and professional development. This democratization of knowledge promotes intellectual curiosity and empowers individuals to become lifelong learners, promoting progress and innovation in various fields. It is worth noting that while accessing free Isuzu Diesel Engine Parts Manual PDF books and manuals is convenient and cost-effective, it is vital to respect copyright laws and intellectual property rights. Platforms offering free downloads often operate within legal boundaries, ensuring that the materials they provide are either in the public domain or authorized for distribution. By adhering to copyright laws, users can enjoy the benefits of free access to knowledge while supporting the authors and publishers who make these resources available. In conclusion, the availability of Isuzu Diesel Engine Parts Manual free PDF books and manuals for download has revolutionized the way we access and consume knowledge. With just a few clicks, individuals can explore a vast collection of resources across different disciplines, all free of charge. This accessibility empowers individuals to become lifelong learners, contributing to personal growth, professional development, and the advancement of society as a whole. So why not unlock a world of knowledge today? Start exploring the vast sea of free PDF books and manuals waiting to be discovered right at your fingertips.

FAQs About Isuzu Diesel Engine Parts Manual Books

1. Where can I buy Isuzu Diesel Engine Parts Manual books? Bookstores: Physical bookstores like Barnes & Noble, Waterstones, and independent local stores. Online Retailers: Amazon, Book Depository, and various online bookstores offer a wide range of books in physical and digital formats.
2. What are the different book formats available? Hardcover: Sturdy and durable, usually more expensive. Paperback: Cheaper, lighter, and more portable than hardcovers. E-books: Digital books available for e-readers like Kindle or software like Apple Books, Kindle, and Google Play Books.
3. How do I choose a Isuzu Diesel Engine Parts Manual book to read? Genres: Consider the genre you enjoy (fiction, non-fiction, mystery, sci-fi, etc.). Recommendations: Ask friends, join book clubs, or explore online reviews and recommendations. Author: If you like a particular author, you might enjoy more of their work.
4. How do I take care of Isuzu Diesel Engine Parts Manual books? Storage: Keep them away from direct sunlight and in a dry environment. Handling: Avoid folding pages, use bookmarks, and handle them with clean hands. Cleaning: Gently dust the covers and pages occasionally.
5. Can I borrow books without buying them? Public Libraries: Local libraries offer a wide range of books for borrowing. Book Swaps: Community book exchanges or online platforms where people exchange books.

6. How can I track my reading progress or manage my book collection? Book Tracking Apps: Goodreads, LibraryThing, and Book Catalogue are popular apps for tracking your reading progress and managing book collections. Spreadsheets: You can create your own spreadsheet to track books read, ratings, and other details.
7. What are Isuzu Diesel Engine Parts Manual audiobooks, and where can I find them? Audiobooks: Audio recordings of books, perfect for listening while commuting or multitasking. Platforms: Audible, LibriVox, and Google Play Books offer a wide selection of audiobooks.
8. How do I support authors or the book industry? Buy Books: Purchase books from authors or independent bookstores. Reviews: Leave reviews on platforms like Goodreads or Amazon. Promotion: Share your favorite books on social media or recommend them to friends.
9. Are there book clubs or reading communities I can join? Local Clubs: Check for local book clubs in libraries or community centers. Online Communities: Platforms like Goodreads have virtual book clubs and discussion groups.
10. Can I read Isuzu Diesel Engine Parts Manual books for free? Public Domain Books: Many classic books are available for free as they're in the public domain. Free E-books: Some websites offer free e-books legally, like Project Gutenberg or Open Library.

Find Isuzu Diesel Engine Parts Manual :

[motors drives motion controllers electric actuators](#)

n4 mathematics study guide

mysql 5th edition

[montaje e instalacion en planta de maquinas industriales](#)

[moleong metodologi penelitian kualitatif](#)

[modulo 2 simulazione 2](#)

[network analysis and synthesis by chakraborty](#)

[motorcycle fuel injection v 1 0 by jens lyck page 1](#)

[naeyc early learning programs standards and criteria](#)

nbc schedule

[naval syscom systems engineering instruction](#)

[nepali a beginners primer conversation and grammar](#)

nasm essentials of corrective exercise training first edition revised

[national audubon society field guide to north american seashore creatures national audubon society field guides](#)
mozart missa brevis in d

Isuzu Diesel Engine Parts Manual :

operator manual john deere 12 5 l marine diesel engine - Aug 09 2022

web operator manual john deere 12 5 l marine diesel engine 6125afm75 and 6125sfm75 omrg35863 download download after paymentlifetime pdf and access to download by request compatible with windows mac ios android and other systemssearchable text and built in index for instant information searchbookmarksprintable

powertech 6105 6125 diesel engines electronic fuel systems - Dec 13 2022

web illustrated factory component technical manual for john deere powertech 10 5 l 12 5 l diesel engines level 6 electronic fuel systems with lucas euis this manual contains high quality images circuit diagrams instructions to help you to operate maintenance diagnostic and repair your truck

john deere 6125 service manual repair manual pdf download - Jun 07 2022

web this john deere 6125 engine powertech parts catalog manual pdf download provides detailed illustrations parts name parts number and step by step instructions for assembly and disassembly it is compatible with all windows and mac operating systems and can be printed for unlimited copies

powertech 6105hf technical manual pdf download manualslib - Aug 21 2023

web view and download powertech 6105hf technical manual online 6105hf engine pdf manual download also for 6105adw 6125 tier ii 6125hf 6105hrw add john deere engine break in oil as needed to brought back to original performance standards through proper overhaul procedure and replacement of parts with genuine john deere

[john deere 6125 oem engines service and repair manual - May 18 2023](#)

web john deere 6125 oem engines service and repair manual 69 99 john deere manuals for your construction machinery will help you with maintenance and service on daily basis

ctm100 john deere powertech 10 5l 6105 12 5l 6125 - Apr 17 2023

web product code 01924 no reviews for this product add to compare list into favorits illustrated factory component technical manual for powertech 10 5 l 12 5 l diesel base engine john deere this manual contains high quality images diagrams instructions to help you to operate maintenance diagnostic and repair your truck

[manuals and training parts service john deere us - Mar 16 2023](#)

web ag turf engine operator manuals publications download view and purchase operator and technical manuals and parts catalogs for your john deere equipment download and purchase manuals and publications online find a parts catalog view

operator manual engine maintenance information

john deere 12 5l 6125 engines sn 030000 parts catalog manual - Oct 11 2022

web this john deere 12 5l 6125 engines sn 030000 parts catalog manual pc9405 contains detailed repair instructions and maintenance specifications to facilitate your repair and troubleshooting

john deere pdf engines diesel engine scribd - Nov 12 2022

web manual powertech10 5l 12 5l 6105 and 6125 oem omrg25752 june 1997 0026 108 operators manual powertech oem 0 9 1 1 1 2 1 5 2 0l 3009 3011 3012 3015 4020 omrg26439 march 2004 0027 94 operation and service manual powertech 6 8 l 6068 compressed natural gas omrg27896 september 1998 0028 164 operators manual

john deere powertech 12 5l diesel base engine service repair - Sep 22 2023

web feb 26 2020 1 inspect rocker arm cover gasket to ensure that gasket is properly seated in groove and that contact face is clean 2 position rocker arm cover onto two locating dowels in cylinder head 3

ctm188 john deere technical manuals store - Mar 04 2022

web this manual contains high quality images circuit diagrams instructions to help you to operate maintenance diagnostic and repair your truck this document is printable without restrictions contains searchable text bookmarks crosslinks for easy navigation language english format pdf 685 pages covered models

ctm125 john deere technical manuals store - Jan 14 2023

web 3029 models 3029 illustrated factory component technical service manual for powertech 2 9l diesel engines john deere diesel oem engines this manual contains high quality images circuit diagrams instructions to help you to operate maintenance diagnostic and repair deere technical manuals

john deere powertech diesel enginetechnical manual equipment service - Jun 19 2023

web essential tools required in performing certain service work are identified in this manual and are recommended for use this manual ctm100 covers only the base engine it is one of three volumes on 10 5 l and 12 5 l engines the following two companion manuals cover electronic fuel system repair operation and diagnostics

john deere 6125af001 engine powertech parts catalog manual - Apr 05 2022

web this john deere 6125af001 engine powertech parts catalog manual pdf download provides detailed illustrations parts name parts number and instructions for assembly or disassembly it is compatible with all windows and mac versions and can be printed for unlimited copies

john deere 6125afm75 engine powertech parts manual service manual - May 06 2022

web this john deere 6125afm75 engine powertech parts manual pdf download provides detailed illustrations parts name and parts number it is a great resource for assembly or disassembly tasks or to learn machine structure it is compatible with all

windows and mac versions and can be printed unlimited times download link is provided after

john deere 6105 6125 diesel engine technical manual - Sep 10 2022

web john deere 6105 6125 diesel engine technical manual pdf download this manual is written for an experienced technician essential tools required in performing certain service work are identified in this manual and are recommended for use this manual ctm100 covers only the base engine it is one of three volumes on 10 5 l and

john deere 6125r manual by ayradoran14 issuu - Jul 08 2022

web published on jan 26 2022 ayradoran14 about john deere 6125r manual john deere tractors 6105r 6115r 6125r 6130r worldwide service repair technical manual tm404519 complete
tm405719 john deere technical manuals store - Jul 20 2023

web illustrated factory diagnosis and tests service manual for john deere 2wd or mfwd tractors 6105m 6115m 6125m 6130m 6140m 6150m and 6170m worldwide this manual contains high quality images circuit diagrams diagnostic procedures to help you to diagnostic troubleshoot and repair your truck

john deere and powertech engines diagnostic repair technical - Oct 23 2023

web illustrated factory component technical manual for powertech 10 5l and 12 5l 6105 and 6125 diesel engines john deere diesel oem engines with lucas engine controllers level 6 electronic fuel system operation diagnostic and repair this manual contains high quality images circuit diagrams instructions to help you to operate maintenance

john deere powertech 10 5l 6105 12 5l 6125 oem diesel service manual - Feb 15 2023

web this john deere powertech 10 5l 6105 12 5l 6125 oem diesel engines omrg25752 operation and maintenance manual pdf download provides all the details necessary about operating and maintenance procedure it is compatible with all windows and mac versions and can be printed unlimited times download link will be provided after payment

radioactive decay practice problems channels for pearson - Mar 08 2023

web 1 practice problem the nuclide ^{253}Fm undergoes radioactive decay in which the stable nuclide ^{253}Es is formed there are two possible nuclear decay pathways for this

nuclear chemistry pearson chemistry chapter 25 flashcards - Jul 12 2023

web elements of which the atomic number is higher than 92 all of these elements undergo transmutation and are radioactive

periodic trend effective nuclear charge practice problems - Aug 01 2022

web test and improve your knowledge of nuclear chemistry with fun multiple choice exams you can take online with study com

igsce chemistry answers pearson - Nov 04 2022

web the stability of atomic nuclei the belt of stability recognizing whether an isotope is likely to be stable or not and

predicting what it will do if it isn't p5 mass deficit binding

radioactivity and balancing nuclear reactions balancing - Oct 03 2022

web teacher resources 14 summary sheets 16 worksheet 1 atomic structure and the periodic table 21 worksheet 2 orbitals and electron configuration 23 examples of students

3 1 nuclear chemistry and radioactive decay - May 30 2022

web nuclear chemistry practice test quiz for 10th grade students find other quizzes for chemistry and more on quizizz for free

nuclear chemistry quiz questions with solutions vedantu - Feb 24 2022

web mar 21 2023 nuclear chemistry quizzes questions answers step into the fascinating world of nuclear chemistry quizzes trivia and get ready to embark on an

pearson chemistry 9780132525763 solutions and answers - Sep 14 2023

web with expert solutions for thousands of practice problems you can take the guesswork out of studying and move forward with confidence find step by step solutions and answers to

7 e nuclear chemistry practice problems with answers - Jun 11 2023

web jan 10 2021 write a balanced equation for each of the following nuclear reactions bismuth 212 decays into polonium 212 beryllium 8 and a positron are produced by the

pearson chemistry chapter 25 flashcards quizlet - May 10 2023

web nuclear reactions begin with unstable isotopes atoms of these isotopes become more stable when changes occur in their nuclei alpha particle contains two protons and two

nuclear chemistry radioactivity review flashcards quizlet - Apr 09 2023

web results in a new element gaining or losing an electron with the same mass gamma particle release of energy no mass is lost no change in element simply has less

chapter 21 nuclear chemistry - Nov 23 2021

nuclear chemistry quizzes questions answers proprofs - Jan 26 2022

web decarboxylation reaction nuclear chemistry questions and answers practice questions mcqs pyqs ncert questions question bank class 11 and class 12

write the nuclear equation for the most likely mode of decay - Feb 07 2023

web textbook question indicate whether each of the following nuclides lies within the belt of stability in figure 21.2 a neon 24 for any that do not describe a nuclear decay

[standardized test practice mcgraw hill education](#) - Jan 06 2023

web now we re gonna say here when it comes to nuclear reactions we can think the british physicist ernest rutherford who really did a lot of experiments with nuclear reactions

nuclear chemistry practice test quiz quizizz - Mar 28 2022

web nuclear chemistry practice problems with solutions solve these nuclear chemistry questions and sharpen your practice problem solving skills we have quizzes covering

[radioactive decay video tutorial practice channels for](#) - Dec 05 2022

web chapter 1 1 a meltingbfreezing c subliming sublimationsubliming sublimation 2 a solid liquid gas note solids should have regularly packed particles touching liquids should

[nuclear chemistry practice test questions chapter exam](#) - Jun 30 2022

web nuclear chemistry is the study of reactions that involve changes in nuclear structure the chapter on atoms molecules and ions introduced the basic idea of nuclear structure

[nuclear chemistry practice test 1 5k plays quizizz](#) - Apr 28 2022

web play this game to review nuclear chemistry what type of decay changes the atomic number of the atom

[nuclear chemistry questions practice questions of nuclear](#) - Dec 25 2021

web 21 1 radioactivity1 2 nuclear reactions involve changes in the atomic nuclei nuclear chemistry is the study of nuclear reactions their uses in chemistry and their impact on

pearson chemistry nuclear chemistry chapter 25 25 2 25 3 - Aug 13 2023

web pearson chemistry nuclear chemistry chapter 25 25 2 25 3 25 4 worksheet answers get a hint note click the card to flip something followed by and a

as and a level chemistry pearson qualifications - Sep 02 2022

web identify which of the statements below are false a the effective nuclear charge is the force exerted by the nucleus onto an electron b core electrons screen the nuclear charge

[facebook](#) - Dec 27 2021

web you must log in to continue log into facebook log in

daring amelia booksource - Mar 10 2023

web daring amelia isbn 10 0448487608 isbn 13 9780448487601 author lowell barbara illustrated by tuya jez interest level 1 3 publisher penguin random house publication date november 2016 copyright 2016 page count 48 series penguin young

readers level 3 be the first to review paperback 3 99 quantity up down

[amelia darling facebook](#) - Jan 28 2022

web amelia darling is on facebook join facebook to connect with amelia darling and others you may know facebook gives people the power to share and makes the world more open and connected

daring amelia by barbara lowell overdrive - May 12 2023

web nov 8 2016 soar to new heights with the story of the world s most famous female pilot amelia earhart even as a kid amelia earhart was always looking for adventures she had mud ball fights explored caves and even built a roller coaster in her backyard

amelia darling biography imdb - Feb 26 2022

web amelia darling was born on february 14 1922 she was an actress known for car 54 where are you 1961 she died on april 15 2007 in dunkirk new

daring amelia penguin random house canada - Nov 06 2022

web soar to new heights with the story of the world s most famous female pilot amelia earhart even as a kid amelia earhart was always looking for adventures she had mud ball fights explored caves and even built a roller coaster in her backyard and the adventures continued as she grew up

daring amelia by barbara lowell jez tuya paperback barnes - Sep 04 2022

web nov 8 2016 so amelia set out to fly around the world she took off and made stops in several countries but tragedy struck when she was unable to find the small island she needed to land on in the pacific ocean despite rescue efforts she was never found but amelia earhart is still remembered today as a daring explorer who loved to fly

[daring amelia by barbara lowell 9780448487601 penguin](#) - Oct 05 2022

web about daring amelia soar to new heights with the story of the world s most famous female pilot amelia earhart even as a kid amelia earhart was always looking for adventures she had mud ball fights explored caves and even built a roller coaster in her backyard and the adventures continued as she grew up

sofca vimeo - Apr 30 2022

web sofca is a member of vimeo the home for high quality videos and the people who love them

[daring amelia on apple books](#) - Feb 09 2023

web soar to new heights with the story of the world s most famous female pilot amelia earhart even as a kid amelia earhart was always looking for adventures she had mud ball fights explored caves and even built a roller coaster in her backyard and the adventures continued as she

daring amelia compra ebook na fnac pt - Jul 02 2022

web daring amelia lançado em novembro de 2016 em inglês daring amelia quero ser o primeiro a dar opinião resumo ver tudo soar to new heights with the story of the world s most famous female pilot amelia earhart even as a

loading interface goodreads - Jun 01 2022

web discover and share books you love on goodreads

daring amelia barbara lowell children s book author - Jun 13 2023

web penguin young readers as soon as amelia earhart took her first airplane ride she knew she had to learn how to fly planes then she became one of the most famous pilots ever soar the skies with daring amelia and discover her story

daring amelia lowell barbara tuya jez amazon fr livres - Apr 11 2023

web soar to new heights with the story of the world s most famous female pilot amelia earhart even as a kid amelia earhart was always looking for adventures she had mud ball fights explored caves and even built a roller coaster in her backyard

a curriculum guide for educators readers barbara lowell - Mar 30 2022

web 2 who is amelia draw an outline of a human figure on a large piece of paper to represent amelia a as you read daring amelia write any known details about amelia inside the outline outside of the outline discuss and write any

daring amelia penguin young readers level 3 amazon com - Aug 15 2023

web nov 8 2016 daring amelia penguin young readers level 3 paperback november 8 2016 by barbara lowell author jez tuya illustrator 4 8 93 ratings part of penguin young readers level 3 104 books see all formats and editions soar to new heights with the story of the world s most famous female pilot amelia earhart

daring amelia 9780448487601 menucha classroom solutions - Dec 07 2022

web soar to new heights with the story of the world s most famous female pilot amelia earhart even as a kid amelia earhart was always looking for adventures she had mud ball fights explored caves and even built a roller coaster in her backyard and the adventures continued as she grew up she took flying lessons and w

daring amelia ebook barbara lowell 9780399541889 - Jan 08 2023

web daring amelia soar to new heights with the story of the world s most famous female pilot amelia earhart even as a kid amelia earhart was always

daring amelia penguin young readers level 3 amazon com tr - Jul 14 2023

web daring amelia penguin young readers level 3 lowell barbara amazon com tr kitap

daring amelia by barbara lowell penguin books australia - Aug 03 2022

web dec 1 2016 soar to new heights with the story of the world s most famous female pilot amelia earhart even as a kid amelia earhart was always looking for adventures she had mud ball fights explored caves and even built a roller coaster in her backyard