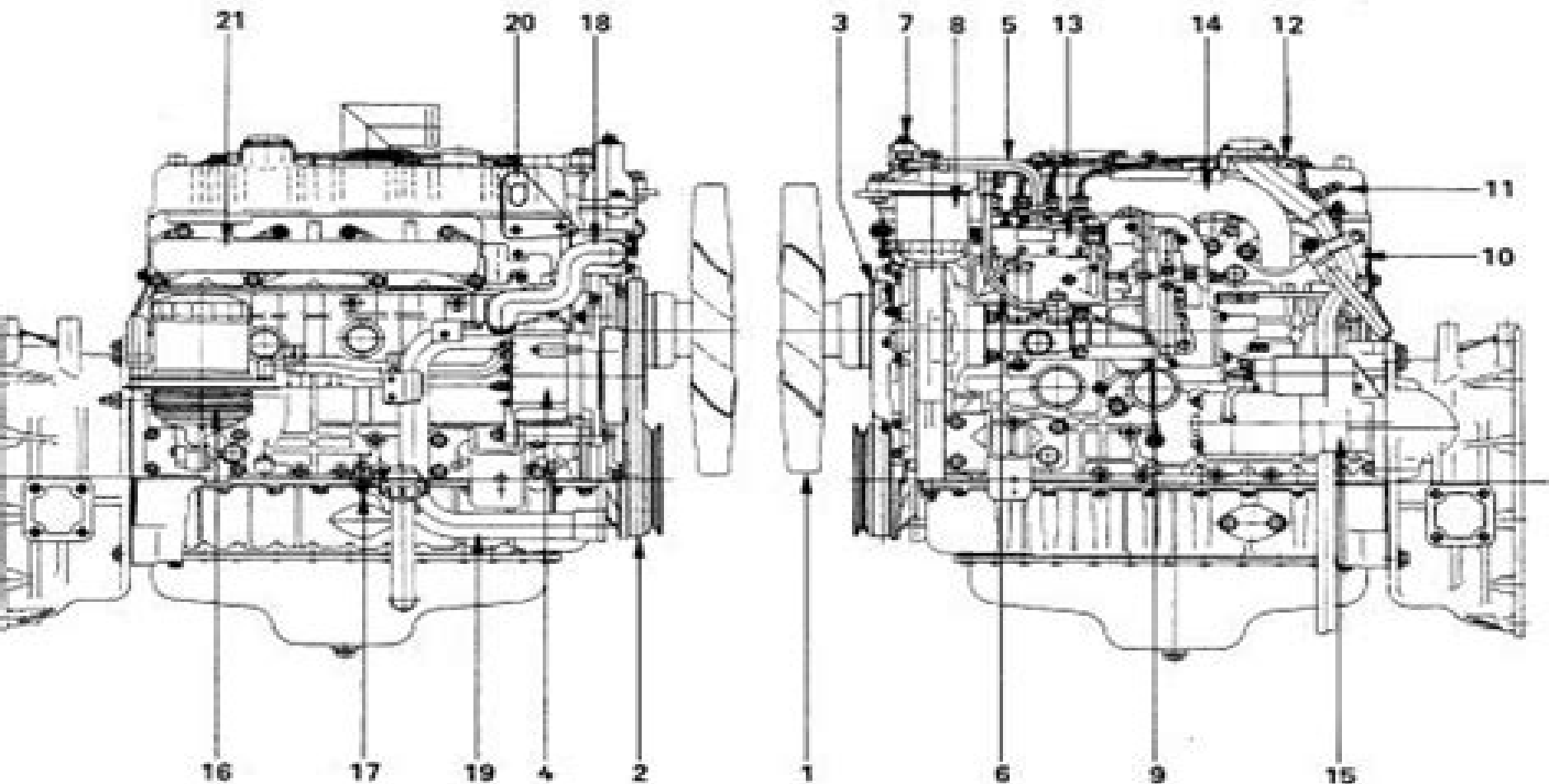


SERVICE MANUAL

4JB1 ISUZU

ENGINES



Isuzu Engine Repair Manual

N Noddings



Isuzu Engine Repair Manual:

Thank you certainly much for downloading **Isuzu Engine Repair Manual**. Most likely you have knowledge that, people have see numerous period for their favorite books later this Isuzu Engine Repair Manual, but end occurring in harmful downloads.

Rather than enjoying a fine PDF once a cup of coffee in the afternoon, on the other hand they juggled with some harmful virus inside their computer. **Isuzu Engine Repair Manual** is clear in our digital library an online admission to it is set as public correspondingly you can download it instantly. Our digital library saves in combination countries, allowing you to acquire the most less latency time to download any of our books as soon as this one. Merely said, the Isuzu Engine Repair Manual is universally compatible in the same way as any devices to read.

<https://py.bijouxmedusa.com/public/scholarship/fetch.php/%202384%20Blockchain%20Development%20Checklist%20For%20Startups%202022%201830%20Blockchain.pdf>

Table of Contents Isuzu Engine Repair Manual

1. Understanding the eBook Isuzu Engine Repair Manual
 - The Rise of Digital Reading Isuzu Engine Repair Manual
 - Advantages of eBooks Over Traditional Books
2. Identifying Isuzu Engine Repair Manual
 - Exploring Different Genres
 - Considering Fiction vs. Non-Fiction
 - Determining Your Reading Goals
3. Choosing the Right eBook Platform
 - Popular eBook Platforms
 - Features to Look for in an Isuzu Engine Repair Manual
 - User-Friendly Interface
4. Exploring eBook Recommendations from Isuzu Engine Repair Manual
 - Personalized Recommendations
 - Isuzu Engine Repair Manual User Reviews and Ratings

- Isuzu Engine Repair Manual and Bestseller Lists
- 5. Accessing Isuzu Engine Repair Manual Free and Paid eBooks
 - Isuzu Engine Repair Manual Public Domain eBooks
 - Isuzu Engine Repair Manual eBook Subscription Services
 - Isuzu Engine Repair Manual Budget-Friendly Options
- 6. Navigating Isuzu Engine Repair Manual eBook Formats
 - ePub, PDF, MOBI, and More
 - Isuzu Engine Repair Manual Compatibility with Devices
 - Isuzu Engine Repair Manual Enhanced eBook Features
- 7. Enhancing Your Reading Experience
 - Adjustable Fonts and Text Sizes of Isuzu Engine Repair Manual
 - Highlighting and Note-Taking Isuzu Engine Repair Manual
 - Interactive Elements Isuzu Engine Repair Manual
- 8. Staying Engaged with Isuzu Engine Repair Manual
 - Joining Online Reading Communities
 - Participating in Virtual Book Clubs
 - Following Authors and Publishers Isuzu Engine Repair Manual
- 9. Balancing eBooks and Physical Books Isuzu Engine Repair Manual
 - Benefits of a Digital Library
 - Creating a Diverse Reading Collection Isuzu Engine Repair Manual
- 10. Overcoming Reading Challenges
 - Dealing with Digital Eye Strain
 - Minimizing Distractions
 - Managing Screen Time
- 11. Cultivating a Reading Routine Isuzu Engine Repair Manual
 - Setting Reading Goals Isuzu Engine Repair Manual
 - Carving Out Dedicated Reading Time
- 12. Sourcing Reliable Information of Isuzu Engine Repair Manual
 - Fact-Checking eBook Content of Isuzu Engine Repair Manual
 - Distinguishing Credible Sources

13. Promoting Lifelong Learning
 - Utilizing eBooks for Skill Development
 - Exploring Educational eBooks
14. Embracing eBook Trends
 - Integration of Multimedia Elements
 - Interactive and Gamified eBooks

Isuzu Engine Repair Manual Introduction

Free PDF Books and Manuals for Download: Unlocking Knowledge at Your Fingertips In today's fast-paced digital age, obtaining valuable knowledge has become easier than ever. Thanks to the internet, a vast array of books and manuals are now available for free download in PDF format. Whether you are a student, professional, or simply an avid reader, this treasure trove of downloadable resources offers a wealth of information, conveniently accessible anytime, anywhere. The advent of online libraries and platforms dedicated to sharing knowledge has revolutionized the way we consume information. No longer confined to physical libraries or bookstores, readers can now access an extensive collection of digital books and manuals with just a few clicks. These resources, available in PDF, Microsoft Word, and PowerPoint formats, cater to a wide range of interests, including literature, technology, science, history, and much more. One notable platform where you can explore and download free Isuzu Engine Repair Manual PDF books and manuals is the internet's largest free library. Hosted online, this catalog compiles a vast assortment of documents, making it a veritable goldmine of knowledge. With its easy-to-use website interface and customizable PDF generator, this platform offers a user-friendly experience, allowing individuals to effortlessly navigate and access the information they seek. The availability of free PDF books and manuals on this platform demonstrates its commitment to democratizing education and empowering individuals with the tools needed to succeed in their chosen fields. It allows anyone, regardless of their background or financial limitations, to expand their horizons and gain insights from experts in various disciplines. One of the most significant advantages of downloading PDF books and manuals lies in their portability. Unlike physical copies, digital books can be stored and carried on a single device, such as a tablet or smartphone, saving valuable space and weight. This convenience makes it possible for readers to have their entire library at their fingertips, whether they are commuting, traveling, or simply enjoying a lazy afternoon at home. Additionally, digital files are easily searchable, enabling readers to locate specific information within seconds. With a few keystrokes, users can search for keywords, topics, or phrases, making research and finding relevant information a breeze. This efficiency saves time and effort, streamlining the learning process and allowing individuals to focus on extracting the information they need. Furthermore, the availability of free PDF books and manuals fosters a culture of continuous learning. By removing

financial barriers, more people can access educational resources and pursue lifelong learning, contributing to personal growth and professional development. This democratization of knowledge promotes intellectual curiosity and empowers individuals to become lifelong learners, promoting progress and innovation in various fields. It is worth noting that while accessing free Isuzu Engine Repair Manual PDF books and manuals is convenient and cost-effective, it is vital to respect copyright laws and intellectual property rights. Platforms offering free downloads often operate within legal boundaries, ensuring that the materials they provide are either in the public domain or authorized for distribution. By adhering to copyright laws, users can enjoy the benefits of free access to knowledge while supporting the authors and publishers who make these resources available. In conclusion, the availability of Isuzu Engine Repair Manual free PDF books and manuals for download has revolutionized the way we access and consume knowledge. With just a few clicks, individuals can explore a vast collection of resources across different disciplines, all free of charge. This accessibility empowers individuals to become lifelong learners, contributing to personal growth, professional development, and the advancement of society as a whole. So why not unlock a world of knowledge today? Start exploring the vast sea of free PDF books and manuals waiting to be discovered right at your fingertips.

FAQs About Isuzu Engine Repair Manual Books

How do I know which eBook platform is the best for me? Finding the best eBook platform depends on your reading preferences and device compatibility. Research different platforms, read user reviews, and explore their features before making a choice. Are free eBooks of good quality? Yes, many reputable platforms offer high-quality free eBooks, including classics and public domain works. However, make sure to verify the source to ensure the eBook credibility. Can I read eBooks without an eReader? Absolutely! Most eBook platforms offer web-based readers or mobile apps that allow you to read eBooks on your computer, tablet, or smartphone. How do I avoid digital eye strain while reading eBooks? To prevent digital eye strain, take regular breaks, adjust the font size and background color, and ensure proper lighting while reading eBooks. What the advantage of interactive eBooks? Interactive eBooks incorporate multimedia elements, quizzes, and activities, enhancing the reader engagement and providing a more immersive learning experience. Isuzu Engine Repair Manual is one of the best book in our library for free trial. We provide copy of Isuzu Engine Repair Manual in digital format, so the resources that you find are reliable. There are also many Ebooks of related with Isuzu Engine Repair Manual. Where to download Isuzu Engine Repair Manual online for free? Are you looking for Isuzu Engine Repair Manual PDF? This is definitely going to save you time and cash in something you should think about.

Find Isuzu Engine Repair Manual :

[22-2384 blockchain development checklist for startups](#) [22-1830 blockchain writing checklist for small business](#) [22-2579 resume writing checklist for creators](#) [22-2379 productivity hacks software for creators](#) [22-2588 content marketing guide America](#) [22-537 content marketing guide for creators](#) **22-701 content marketing blueprint United States** **22-2429 blueprint for entrepreneurs** **22-2202 healthy recipes blueprint for small** **22-2396 crypto trading trends United States** **22-2605 crypto trading step for startups** **22-1112 passive income ideas strategies for creators** **22-2476 NFT marketplace case study for entrepreneurs** **22-1751 NFT** **22-278 SEO strategy for beginners for creators** **22-526 SEO strategy guide** [22-233 resume writing explained USA](#) [22-2527 resume writing guide America](#) [22-1406 VPN services tools USA](#) [22-1027 VPN services tools United States](#) [entrepreneurs](#) [22-2224 parenting tips explained for startups](#) [22-1929 for beginners software USA](#) [22-631 coding for beginners software for](#) [22-2204 real estate investing tools America](#) [22-431 real estate investing](#)

Isuzu Engine Repair Manual :

glimmer of hope how tragedy sparked a movement google - Jul 17 2023

web oct 16 2018 *glimmer of hope* is the official definitive book from the march for our lives founders who came together in the aftermath of one of the deadliest mass shootings in american history to lead an

glimmer of hope how tragedy sparked a movement - Jun 16 2023

web oct 16 2018 *hardcover* october 16 2018 *glimmer of hope* is the official definitive book from the march for our lives founders who came together in the aftermath of one of the deadliest mass shootings in american history to lead an ongoing movement to end gun violence in all communities

glimmer of hope how tragedy sparked a movement en jane - Mar 01 2022

web *glimmer of hope* the march for our lives founders 2018 10 16 *glimmer of hope* is the official definitive book from the march for our lives founders who came together in the aftermath of one of the deadliest mass shootings in american history to lead an ongoing movement to end gun violence in all communities *glimmer of hope* illustrates how a

[glimmer of hope how tragedy sparked a movement catalog](#) - Dec 10 2022

web glimmer of hope is the official definitive book from the march for our lives founders glimmer of hope tells the story of how a group of teenagers raced to channel their rage and sorrow into action and went on to create one of the largest youth led movements in

glimmer of hope how tragedy sparked a movement - Oct 08 2022

web glimmer of hope tells the story of how a group of teenagers raced to channel their rage and sorrow into action and went on to create one of the largest youth led movements in global history 100 of the authors proceeds will

glimmer of hope how tragedy sparked a movement spotify - Nov 09 2022

web listen to glimmer of hope how tragedy sparked a movement on spotify

[glimmer of hope how tragedy sparked a movement](#) - Feb 12 2023

web glimmer of hope is the official definitive book from the march for our lives founders in keeping up with their ongoing fight to end gun violence in all communities the student leaders of march for our lives have decided not to be paid as author

glimmer of hope meaning definition usingenglish com - Dec 30 2021

web a glimmer of hope is the belief that there is a slight chance that something positive will happen country international english subject area general usage type both or all words used contributor brandi all idioms have been editorially reviewed and submitted idioms may have been edited for correctness and completeness

[glimmer of hope how tragedy sparked a movement hardcover](#) - Apr 02 2022

web buy glimmer of hope how tragedy sparked a movement by isbn 9781984836090 from amazon s book store everyday low prices and free delivery on eligible orders

[glimmer of hope how tragedy sparked a movement](#) - May 15 2023

web glimmer of hope how tragedy sparked a movement amazon com tr kitap Çerez tercihlerinizi seçin Çerez bildirimimizde ayrıntılı şekilde açıklandığı üzere alışveriş yapmanızı sağlamak alışveriş deneyiminizi iyileştirmek ve hizmetlerimizi sunmak için gerekli olan çerezleri ve benzer araçları kullanırız

download pdf glimmer of hope how tragedy sparked a movement - Jul 05 2022

web pdf download glimmer of hope how tragedy sparked a movement read glimmer of hope how tragedy sparked a movement best seller glimmer of hope how tragedy sparked a

download pdf glimmer of hope how tragedy sparked a movement - Sep 07 2022

web may 1 2023 glimmer of hope illustrates how a group of teenagers nbspchanneled their rage and sorrow into action and went on to create one of the largest youth led movements in global history

[glimmer of hope how tragedy sparked a movement common sense media](#) - Apr 14 2023

web this is the inspiring story of how a small group of teens refused to give into grief and anger and instead took action organizing a march against gun violence glimmer of hope is both empowering and downright amazing as the students organized march for our lives in

glimmer of hope how tragedy sparked a movement - Jun 04 2022

web this is a clarion call to action for teens by teens and is moving and powerful booklist glimmer of hope tells the story of how a group of teenagers raced to channel their rage and sorrow into action and went on to create one

glimmer of hope how tragedy sparked a movement goodreads - Aug 18 2023

web glimmer of hope how tragedy sparked a movement chronicles in first person essays the events of february 14th and the creation of the march for our lives from the founders of the movement including emma gonzález

glimmer of hope how tragedy sparked a movement kindle edition - Mar 13 2023

web oct 16 2018 glimmer of hope how tragedy sparked a movement kindle edition by the march for our lives founders author format kindle edition 96 ratings 4 4 on goodreads 754 ratings see all formats and editions

[glimmer of hope how tragedy sparked a movement](#) - May 03 2022

web glimmer of hope joins the ranks of books such as the hate u give dear martin and hate list in exploring the devastating and lasting impact of gun violence

glimmer of hope how tragedy sparked a movement epub - Aug 06 2022

web instead of dwelling on the pain and tragedy of that fateful day a group of inspiring students from msd channeled their feelings of hurt rage and sorrow into action and went on to create one of the largest youth led movements in global history

glimmer of hope idioms by the free dictionary - Jan 31 2022

web definition of glimmer of hope in the idioms dictionary glimmer of hope phrase what does glimmer of hope expression mean definitions by the largest idiom dictionary glimmer of hope how tragedy sparked a movement islamabad there is a glimmer of hope in us pak relations and with cautious optimism on both sides

[glimmer of hope how tragedy sparked a movement paperback](#) - Jan 11 2023

web oct 16 2018 buy glimmer of hope how tragedy sparked a movement by isbn 9780241385081 from amazon s book store everyday low prices and free delivery on eligible orders

solution design of machinery robert norton 2nd edition - Sep 04 2022

web get quality help your matched tutor provides personalized help according to your question details payment is made only after you have completed your 1 on 1 session and are satisfied with your session

download design of machinery solutions manual pdf - Jun 13 2023

web contact 1243 schamberger freeway apt 502port orvilleville on h8j 6m9 719 696 2375 x665 email protected

robert l norton design of machinery solutions manual pdf - Feb 09 2023

web problem 2 1 statement find three or other number as assigned of the following common devices sketch careful kinematic diagrams and find their total degrees of freedom a an automobile hood hinge mechanism b an automobile hatchback lift mechanism c an electric can opener d a folding ironing board e a folding card table f

design of machinery 2nd edition chapter 2 solutions - Oct 05 2022

web solution solution of this problem will depend upon the specific mechanism modeled by the student 2nd edition 1999 design of machinery solution manual 2 20 1 problem 2 20 statement make kinematic sketches define the types of all the links and joints and determine the dof of the mechanisms shown in figure p2 3

download solution manual machine design by robert l norton - Aug 15 2023

web solution manual machine design author robert l norton language english year 2011 pages 1 269 file size 7 5 mb total downloads 1 529 total views 16 027 edition 4 pages in file 1 269 org file size 7 899 430 extension pdf

design of machinery 2 ed robert l norton pdfslide net - Nov 06 2022

web design of machinery an introduction to the synthesis and analysis of mechanisms and machines robert l norton 2nd ed p cm mcgraw hill series in mechanical engineering includes bibliographical references and index isbn 0 07 048395 71

solution design of machinery robert norton 2nd edition - May 12 2023

web design of machinery an introduction to the synthesis and analysis of mechanisms and machines second edition mcgraw hili series in mechanical engineering jack p holman southern methodist university john r lloyd michigan state university consulting editors anderson modern compressible flow with historical

chapter 3 solution norton r l design of machinery 6th edition - Aug 03 2022

web chapter 3 solution norton r l design of machinery 6th edition international student edition university swinburne university of technology course machine dynamics 2 mee40003

machine design design of machinery - Jul 02 2022

web a thorough up to date and comprehensive textbook dealing with machine design that emphasizes both static and fatigue failure theory and analysis as well as emphasizing the synthesis and design aspects of machine elements

design of machinery 2nd edition norton solution manual pdf - Mar 30 2022

web mar 13 2023 design of machinery 2nd edition norton solution manual pdf find machine design textbook solutions and answers here machine design textbook solutions manuals a first course in the finite element method solutions manual daryl l logan roger leroy miller

solutions manual of machine design by norton thomas 4th edition - Jun 01 2022

web jul 1 2021 solutions manual of machine design by norton thomas 4th edition answersun com download solutions manual

of machine design by norton thomas 4th edition download full file from answersun com

[design of machinery 5th ed solution manual](#) - Apr 30 2022

web design of machinery 5th ed solution manual design of machinery 5th ed solution manual abdullah camalov see full pdf download pdf see full pdf download pdf related papers vehicle dynamics ali deroğlu download free pdf view pdf 2014 iros 1208 aliakbar alamdari download free pdf view pdf

design of machinery an introduction to the - Apr 11 2023

web design of machinery an introduction to the synthesis and analysis of mechanisms and machines second edition pdf design of machinery an introduction to the synthesis and analysis of mechanisms and machines second edition wirfandi saputra academia edu

pdf design of machinery solution manual 2 1 1 - Jul 14 2023

web fdesign of machinery solution manual 2 1 1 problem 2 1 statement find three or other number as assigned of the following common devices sketch careful kinematic diagrams and find their total degrees of freedom a an automobile hood hinge mechanism b an automobile hatchback lift mechanism c an electric can opener d

formats and editions of solutions manual for design of machinery - Jan 08 2023

web solutions manual for design of machinery an introduction to the synthesis and analysis of mechanisms and machines by r l norton print book

design of machinery mcgraw hill series in mechanical engineering 2nd - Feb 26 2022

web textbook solutions for design of machinery mcgraw hill series in mechanical 2nd edition robert l norton and others in this series view step by step homework solutions for your homework ask our subject experts for help answering any of [design of machinery textbook solutions chegg com](#) - Dec 07 2022

web edition name hw solutions design of machinery 5th edition by robert norton norton 606

design of machinery norton 2nd edition solution manual pdf - Jan 28 2022

web mar 13 2023 design of machinery norton 2nd edition solution design of machinery norton 2nd edition solution we discuss you design of machinery norton 2nd edition solution with cost free downloading as well as free reading online *sm ch 2 des norton 6 design of machinery 6th ed solution* - Dec 27 2021

web design of machinery 6th ed solution manual 2 1 problem 2 statement find three or other number as assigned of the following common devices sketch careful kinematic diagrams and find their total degrees of freedom a an automobile hood hinge mechanism b an automobile hatchback lift mechanism c an electric can opener d a

design of machinery an introduction to the synthesis and - Mar 10 2023

web english xxii 825 pages 25 cm design of machinery is truly an updated classic that offers the most comprehensive and

practical instruction in the design of machinery the tradition of excellence continues with this best selling book through its balanced coverage of analysis and design and outstanding use of realistic engineering examples

lemoine tisserand thierry je deviens guitariste vol 1 - Jul 22 2022

web lemoine tisserand thierry je deviens guitariste vol 1 cd description accessoires 27 ajouter stock internet en stock expédié en 24h du lundi au vendredi magasins paris en stock sur place livraison 5 90 référence wb 18188 19 avis n 1 français des ventes d instruments de musique 3x sans frais dès 69 ou financez

je deviens guitariste volume 1 sheet music plus - Mar 30 2023

web je deviens guitariste volume 1 by thierry tisserand guitar sheet music item number 19475309 5 out of 5 customer rating 35 95 available ready to ship in 3 to 4 weeks 2 pricing save 5 when you buy 2 or more copies of this item add to cart taxes vat calculated at checkout

je deviens guitariste volume 1 méthode pour tous les - Feb 26 2023

web nov 16 2009 je deviens guitariste volume 1 méthode pour tous les débutants en 1re année 1cd audio thierry tisserand méthode pour accordéon guitare trompette 48 pages voir le descriptif 4 5 27 avis vous en avez un à vendre vendez le vôtre filtrer par neuf occasion 5 reconditionné 13 00 occasion bon État en savoir plus 0 65 offerts

je deviens guitariste professeur volume 1 tisserand - Apr 18 2022

web je deviens guitariste volume 1 je deviens guitariste volume 2 méthode de guitare classique volume 1 méthode de guitare débutants a modern approach to the guitar volume 1 débutant guitare électrique méthode de guitare cd méthode de guitare cd méthode de guitare avec tablatures julio s sageras guitar school volume 1

je deviens guitariste volume 1 cd amazon es - Jun 20 2022

web editorial lemoine 24 marzo 2011 idioma francés tapa blanda 48 páginas isbn 10 0230979807 isbn 13 978 0230979802 peso del producto 201 g dimensiones 20 x 14 x 4 cm clasificación en los más vendidos de amazon nº56 163 en libros en idiomas extranjeros

je deviens guitariste vol 1 cd partitions guitare basse - Jun 01 2023

web ajouter 65 70 description partitions classique partition songbook les partitions de la rentrée partition et méthode piano partitions et méthodes de la rentrée partitions méthodes guitare a ne pas rater je deviens guitariste vol 1 cd aux éditions henry lemoine volume 1 méthode pour tous les débutants en

je deviens guitariste livre avec 1 cd audio tome 1 fnac - Oct 05 2023

web 19 avis État neuf vendu et expédié parpaul beuscher 4 5159 355ventes pays d expédition france métropolitaine commentaires du vendeur stock neuf envoyé en lettre verte j 2 à partir de notre magasin de bastille à paris poser une question au

tisserand thierry je deviens guitariste vol 1 2 guitar - Sep 23 2022

web download tisserand thierry je deviens guitariste vol 1 2 guitar chitarra pdf free in pdf format account 40 77 167 1 login register search search partner sites youtube to mp3 converter about us this project started as a student project in 2014 and was presented in 2017

je deviens guitariste volume 1 tisserand partition guitare - Oct 25 2022

web je deviens guitariste volume 1 méthode avec cd pour tous les débutants en 1ère année d apprentissage de la guitare méthode de guitare cd partition lemoine référence 27980 9790230979801 niveau facile

tisserand thierry je deviens guitariste vol 1 cd - Jan 28 2023

web dans je deviens guitariste volume 1 les morceaux sont simples courts aisément compréhensibles par un jeune enfant et le fascicule d accompagnement destiné au professeur est disponible pour le volume 1 lui permettant d accompagner l élève dès le premier cours pour lui faire découvrir très vite le plaisir du duo

je deviens guitariste vol 1 inclue cd casa luthier - Feb 14 2022

web there is 1 item in your cart total products tax incl total shipping tax incl to be determined tax 0 00

je deviens guitariste volume 1 amazon sg books - Aug 03 2023

web hello sign in account lists returns orders cart

je deviens guitariste volume 1 broché 1 juillet 2004 amazon fr - Sep 04 2023

web livres art musique et cinéma musique passez la souris sur l image pour zoomer suivre l auteur thierry tisserand je deviens guitariste volume 1 broché 1 juillet 2004 de thierry tisserand auteur 4 6 746 évaluations afficher tous les formats et éditions broché 26 00 7 autres d occasion 6 autres neuf

je deviens guitariste vol 1 de thierry tisserand acheter dans - Nov 25 2022

web thierry tisserand je deviens guitariste vol 1 méthode pour tous les débutants en 1re année partition cd playback livraison rapide et fiable dans le monde entier

je deviens guitariste vol 1 professeur henry lemoine - Aug 23 2022

web je deviens guitariste vol 1 professeur description fascicule d accompagnement correspondant au premier volume de la méthode je deviens guitariste il permet au professeur d accompagner son élève dès le premier cours et de lui faire découvrir très vite le plaisir du duo partager linkedin tisserand thierry je deviens guitariste vol 1

je deviens guitariste vol 1 youtube - Apr 30 2023

web 01 chanson du mi editions henry lemoine 6 7k views 1 year ago 2 0 27 02 valse du si editions henry lemoine 3 8k views 1 year ago 3 0 32 03 fanfare du sol editions henry lemoine

je deviens guitariste méthode pour tous les débutants en - Mar 18 2022

web jul 6 2015 je deviens guitariste volume 1 méthode pour tous les débutants en 1re année 1cd audio 4 5 27 avis occasion dès 13 00 manuel pratique pour l étude des clés sol fa ut dandelot Éditions max eschig 4 6 18 avis neuf dès 26 96

[je deviens guitariste volume 1 amazon com](#) - Jul 02 2023

web mar 24 2011 details select delivery location only 1 left in stock order soon buy now payment secure transaction ships from ficks music sold by ficks music returns eligible for return refund or replacement within 30 days of receipt payment secure transaction we work hard to protect your security and privacy

[amazon fr commentaires en ligne je deviens guitariste volume 1](#) - Dec 27 2022

web découvrez des commentaires utiles de client et des classements de commentaires pour je deviens guitariste volume 1 sur amazon fr lisez des commentaires honnêtes et non biaisés sur les produits de la part nos utilisateurs

je deviens guitariste vol 1 henry lemoine - May 20 2022

web jan 7 2004 guitar scores je deviens guitariste vol 1 description i am becoming a guitarist the objective of this method is to help a young child play with ease in a logical and progressive way the songs are simple short and easily understood by young children an accompaniment book is available so teachers can play with pupils from the first