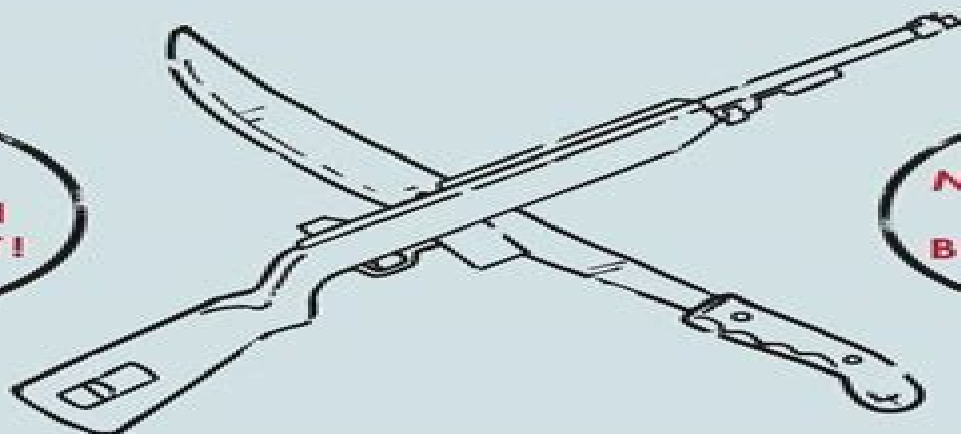


THE  
**ZOMBIE**  
SURVIVAL GUIDE

COMPLETE PROTECTION  
FROM THE LIVING DEAD

ONE  
MILLION  
IN PRINT!



NEW YORK  
TIMES  
BESTSELLER

**MAX BROOKS**

# Max Brooks Zombie Survival Guide



**Max Brooks**

## **Max Brooks Zombie Survival Guide:**

**The Zombie Survival Guide** Max Brooks,2003-09-16 From the author of the 1 New York Times bestseller World War Z The Zombie Survival Guide is your key to survival against the hordes of undead who may be stalking you right now Fully illustrated and exhaustively comprehensive this book covers everything you need to know including how to understand zombie physiology and behavior the most effective defense tactics and weaponry ways to outfit your home for a long siege and how to survive and adapt in any territory or terrain Top 10 Lessons for Surviving a Zombie Attack 1 Organize before they rise 2 They feel no fear why should you 3 Use your head cut off theirs 4 Blades don t need reloading 5 Ideal protection tight clothes short hair 6 Get up the staircase then destroy it 7 Get out of the car get onto the bike 8 Keep moving keep low keep quiet keep alert 9 No place is safe only safer 10 The zombie may be gone but the threat lives on Don t be carefree and foolish with your most precious asset life This book is your key to survival against the hordes of undead who may be stalking you right now without your even knowing it The Zombie Survival Guide offers complete protection through trusted proven tips for safeguarding yourself and your loved ones against the living dead It is a book that can save your life

**The Zombie Survival Guide** Max Brooks,2004-08-27 Don t be reckless with you most precious asset life This book is your key to survival against the hordes of undead who may be stalking you right now without your even knowing it It covers everything you need to know from how to understand zombie behaviour to survival in any territory or terrain The Zombie Survival Guide offers complete protection through proven tips for safeguarding yourself and your loved ones against the living dead It might just save your life A bloody minded strait laced manual for evading the grasp of the undead Time Out So meticulous and well researched that it s more scary than funny Esquire A tome you start reading for fun and then at page 50 you go out and buy a machete just to be on the safe side New York Post I doubt that I ll read a more disturbing book Brilliantly written morbidly funny completely convincing Vector

*The Essential Max Brooks* Max Brooks,2013-04-30 Brooks is America s most prominent maven on the living dead Gripping reading Hartford Courant This collection available exclusively as an ebook brings together two New York Times bestselling titles from Max Brooks The Zombie Survival Guide and World War Z Fully illustrated and exhaustively comprehensive The Zombie Survival Guide is the key to survival against the hordes of undead who may be stalking you right now In World War Z Brooks delivers an invaluable chronicle of the Zombie War told in the haunting and riveting voices of the men and women who witnessed the horror firsthand

*The Zombie Survival Guide* Max Brooks,2011-09-27 Watch out as a mob of ravenous flesh eating undead comes to life This lenticular journal cover sets in motion images of slithering shuffling zombies from the bestselling graphic novel The Zombie Survival Guide Recorded Attacks Filled with lined pages this all purpose journal is perfect for jotting down notes making to do lists plotting your own survival strategy and is just the creepy thing for zombie fans everywhere

*Max Brooks Boxed Set* Max Brooks,2013-04-30 Just in time for the release of the blockbuster Summer movie World War Z this boxed set includes two New York Times

bestsellers from Max Brooks World War Z and The Zombie Survival Guide The box features line art from the graphic novel  
Zombie Survival Guide Recorded Attacks **The Zombie Survival Guide: Recorded Attacks** Max Brooks,Ibraim  
Roberson,2010-10-05 Those who don t learn from history are condemned to repeat it From the Stone Age to the information  
age the undead have threatened to engulf the human race They re coming They re hungry Don t wait for them to come to you  
This is the graphic novel the fans demanded major zombie attacks from the dawn of humanity On the African savannas  
against the legions of ancient Rome on the high seas with Francis Drake every civilization has faced them Here are the grisly  
and heroic stories complete with eye popping artwork that pulsates with the hideous faces of the undead Organize before  
they rise Scripted by the world s leading zombie authority Max Brooks Recorded Attacks reveals how other eras and cultures  
have dealt with and survived the ancient viral plague By immersing ourselves in past horror we may yet prevail over the  
coming outbreak in our time Closure Limited Max Brooks,2012-03-01 Written in his trademark style these tales combine  
horror drama and socio political commentary to explore the aftermath of the zombie apocalypse Stories range from a  
company staffed by human survivors offering gory revenge on their former zombie attackers to a vampire who realises too  
late that he will have nothing left to drink as zombies wipe out his human blood supply *Zombie Survival Guide* , **The**  
**Zombie Survival Guide: Study Guide for Reluctant Readers** Pembroke Notes,2015-02-25 How to Use This Book This  
book is to be used along side the bestselling book The Zombie Survival Guide by Max Brooks The Zombie Survival Guide is a  
manual dealing with the fictional possibility of a zombie attack It contains detailed plans for the average citizen to survive  
zombie uprisings of varying intensity and reach and describes cases of zombie outbreaks in history More than a manual it is  
an engaging text for readers to improve comprehension and fluency High school students will love to read this book For  
Students The study questions are in order and follow the author s narrative Answer questions as you read the book Complete  
answers are displayed at the rear of the book For Teachers This is an easy and interesting resource to help your students in a  
manual style narrative Even before the series The Walking Dead students have been in love with zombies Having used this  
book in my classroom I can testify that when readers are engaged in the material they will read more and better There are  
interesting websites to use as a supplement to the book <http://zombieresearchsociety.com> is one of them For Homeschools  
Your high school student will love the easy guide to help him her in her reading The Zombie Survival Guide Parents be  
prepared for active discussions with your teenager while you read along A writing workshop is supplied at the end of the  
book as a guide When not teaching or working on district curriculum in Alaska Peggy and her husband Bill armed with  
fishing poles make their home in Pittsburg Missouri **World War Z** Max Brooks,2013 An account of the decade long  
conflict between humankind and hordes of the predatory undead is told from the perspective of dozens of survivors who  
describe in their own words the epic human battle for survival in a novel that is the basis for the June 2013 film starring Brad  
Pitt Reissue Movie Tie In *Zombie Survival Notes Mini Journal* Max Brooks,2008-07-22 Ever feel at risk of joining the

ranks of the undead Use this all purpose blank journal to help develop record and execute your survival strategy

Postracial Fantasies and Zombies Eric King Watts,2024-08-06 This book understands the postracial as a genre like the zombie apocalypse that signals a disturbance in society that is felt as terrifying and exciting The postracial is repetitive and reproduces blackened biothreat bodies rituals of securitization and fantasies of the reclamation of white masculine sovereignty Eric King Watts examines key moments when Blackness became an object of knowledge in the eighteenth and nineteenth centuries preparing the scientific and philosophical ground for interpreting zombie lore The book treats the Greater Caribbean as a transformative space in which an antiblack infrastructure arose and interrogates the US s militarized domination of Haiti that was the context in which the zombie emerged Watts traces variations of the form and function of the zombie to contemplate how it matters to our contemporary struggles with racism and pandemic policies

The Zombie Survival Guide ,2010

**Monstrous Spaces: The Other Frontier** ,2019-01-04 This volume was first published by Inter Disciplinary Press in 2013 Monstrous Spaces The Other Frontier is a collection of essays presented during the First Global Conference of Monstrous Geography held at Manchester College Oxford When examining monstrous geographies we encounter an Other frontier a space that runs counter to the socially constructed space of culture that at the same time includes overlaps and co occupies the cultural landscape

**Max Brooks Extinction Parade Volume 2 TP** Max Brooks,2015-04 Collects issues 1 5 of Extinction parade War

**Zombies!** Jovanka Vuckovic,George A. Romero,2011-03-15 Celebrates zombie pop culture that has evolved since Night of the Living Dead tracing early mythological origins in African folklore and Haitian voodoo as well as modern incarnations in film literature and video gaming

Monstrous Geographies: Places and Spaces of the Monstrous Sarah Montin,Evelyn Tsitas,2019-05-15 Preliminary Material Sarah Montin and Evelyn Tsitas The Only Thing to be Deplored is the Extraordinary Mortality Flinders Island and the Imagination of the British Empire Tom Lawson Zombies in the Colonies Imperialism and Contestation of Ethno Political Space in Max Brooks The Zombie Survival Guide Robert A Saunders The Perilous Sites of the Atlantikwall Rose Tzalmona Monstrous Homes How Private Spaces Shape Characters Identities in 19th Century Sensation Fiction Christina Flotmann Enchanted Microcosm or Apocalyptic Warzone Human Projections into the Bug World Petra Rehling Monstrous Breeding Grounds Creation Isolation and Suffering at Noble s Island Hailsham and Rankstadt Evelyn Tsitas How the Earth Went Bad From Wells The War of the Worlds to the Zombie Apocalypse in the 21st Century Simon Bacon Strange Outlandish Star Spaces of Horror in the Poems and Memoirs of the War Poets Sarah Montin Unsettling Empty Spaces Displacing Terra Nullius Thea Costantino Morgues Museums and the Ghost of Errol Flynn Erin Ashenhurst Architecture after Fukushima Spaces of Bara Bara Spaces of Reciprocity Yutaka Sho

*The Zombie Survival Guide* Etienne Guerin DeForest,2009-12-05 How do you plan on surviving the coming Zombie Apocalypse This book tells you how

**Recorded Attacks** Max Brooks,2012-02-16 ORGANISE BEFORE THEY RISE Max Brooks the world s leading zombie authority reveals how other eras and cultures have dealt with and

survived the ancient viral plague From the Stone Age to the information age the undead have threatened to engulf the human race They re coming They re hungry And only the prepared will survive This is the graphic novel that fans demanded featuring major zombie attacks across human history on the African savannas against the legions of ancient Rome and on the high seas alongside Francis Drake Complete with eye popping artwork that pulsates with the grisly faces of the undead Recorded Attacks is an essential part of the World War Z collection An absolute must have Brooks infuses his writing with such precise detail and authenticity one wonders if he knows something we don t Simon Pegg on World War Z **World War Z** Max Brooks,2007 Brooks author of the straight faced parody The Zombie Survival Guide tells the story of the world s desperate battle against the zombie threat with a series of first person accounts by various characters around the world

Ignite the flame of optimism with Get Inspired by is motivational masterpiece, Find Positivity in **Max Brooks Zombie Survival Guide** . In a downloadable PDF format ( Download in PDF: \*), this ebook is a beacon of encouragement. Download now and let the words propel you towards a brighter, more motivated tomorrow.

<https://py.bijouxmedusa.com/files/virtual-library/HomePages/matokeo%20ya%20darasa%20la%20saba%202005.pdf>

## **Table of Contents Max Brooks Zombie Survival Guide**

1. Understanding the eBook Max Brooks Zombie Survival Guide
  - The Rise of Digital Reading Max Brooks Zombie Survival Guide
  - Advantages of eBooks Over Traditional Books
2. Identifying Max Brooks Zombie Survival Guide
  - Exploring Different Genres
  - Considering Fiction vs. Non-Fiction
  - Determining Your Reading Goals
3. Choosing the Right eBook Platform
  - Popular eBook Platforms
  - Features to Look for in an Max Brooks Zombie Survival Guide
  - User-Friendly Interface
4. Exploring eBook Recommendations from Max Brooks Zombie Survival Guide
  - Personalized Recommendations
  - Max Brooks Zombie Survival Guide User Reviews and Ratings
  - Max Brooks Zombie Survival Guide and Bestseller Lists
5. Accessing Max Brooks Zombie Survival Guide Free and Paid eBooks
  - Max Brooks Zombie Survival Guide Public Domain eBooks
  - Max Brooks Zombie Survival Guide eBook Subscription Services
  - Max Brooks Zombie Survival Guide Budget-Friendly Options
6. Navigating Max Brooks Zombie Survival Guide eBook Formats

- ePub, PDF, MOBI, and More
  - Max Brooks Zombie Survival Guide Compatibility with Devices
  - Max Brooks Zombie Survival Guide Enhanced eBook Features
7. Enhancing Your Reading Experience
    - Adjustable Fonts and Text Sizes of Max Brooks Zombie Survival Guide
    - Highlighting and Note-Taking Max Brooks Zombie Survival Guide
    - Interactive Elements Max Brooks Zombie Survival Guide
  8. Staying Engaged with Max Brooks Zombie Survival Guide
    - Joining Online Reading Communities
    - Participating in Virtual Book Clubs
    - Following Authors and Publishers Max Brooks Zombie Survival Guide
  9. Balancing eBooks and Physical Books Max Brooks Zombie Survival Guide
    - Benefits of a Digital Library
    - Creating a Diverse Reading Collection Max Brooks Zombie Survival Guide
  10. Overcoming Reading Challenges
    - Dealing with Digital Eye Strain
    - Minimizing Distractions
    - Managing Screen Time
  11. Cultivating a Reading Routine Max Brooks Zombie Survival Guide
    - Setting Reading Goals Max Brooks Zombie Survival Guide
    - Carving Out Dedicated Reading Time
  12. Sourcing Reliable Information of Max Brooks Zombie Survival Guide
    - Fact-Checking eBook Content of Max Brooks Zombie Survival Guide
    - Distinguishing Credible Sources
  13. Promoting Lifelong Learning
    - Utilizing eBooks for Skill Development
    - Exploring Educational eBooks
  14. Embracing eBook Trends
    - Integration of Multimedia Elements
    - Interactive and Gamified eBooks

## **Max Brooks Zombie Survival Guide Introduction**

Max Brooks Zombie Survival Guide Offers over 60,000 free eBooks, including many classics that are in the public domain. Open Library: Provides access to over 1 million free eBooks, including classic literature and contemporary works. Max Brooks Zombie Survival Guide Offers a vast collection of books, some of which are available for free as PDF downloads, particularly older books in the public domain. Max Brooks Zombie Survival Guide : This website hosts a vast collection of scientific articles, books, and textbooks. While it operates in a legal gray area due to copyright issues, its a popular resource for finding various publications. Internet Archive for Max Brooks Zombie Survival Guide : Has an extensive collection of digital content, including books, articles, videos, and more. It has a massive library of free downloadable books. Free-eBooks Max Brooks Zombie Survival Guide Offers a diverse range of free eBooks across various genres. Max Brooks Zombie Survival Guide Focuses mainly on educational books, textbooks, and business books. It offers free PDF downloads for educational purposes. Max Brooks Zombie Survival Guide Provides a large selection of free eBooks in different genres, which are available for download in various formats, including PDF. Finding specific Max Brooks Zombie Survival Guide, especially related to Max Brooks Zombie Survival Guide, might be challenging as theyre often artistic creations rather than practical blueprints. However, you can explore the following steps to search for or create your own Online Searches: Look for websites, forums, or blogs dedicated to Max Brooks Zombie Survival Guide, Sometimes enthusiasts share their designs or concepts in PDF format. Books and Magazines Some Max Brooks Zombie Survival Guide books or magazines might include. Look for these in online stores or libraries. Remember that while Max Brooks Zombie Survival Guide, sharing copyrighted material without permission is not legal. Always ensure youre either creating your own or obtaining them from legitimate sources that allow sharing and downloading. Library Check if your local library offers eBook lending services. Many libraries have digital catalogs where you can borrow Max Brooks Zombie Survival Guide eBooks for free, including popular titles. Online Retailers: Websites like Amazon, Google Books, or Apple Books often sell eBooks. Sometimes, authors or publishers offer promotions or free periods for certain books. Authors Website Occasionally, authors provide excerpts or short stories for free on their websites. While this might not be the Max Brooks Zombie Survival Guide full book , it can give you a taste of the authors writing style. Subscription Services Platforms like Kindle Unlimited or Scribd offer subscription-based access to a wide range of Max Brooks Zombie Survival Guide eBooks, including some popular titles.

## **FAQs About Max Brooks Zombie Survival Guide Books**

1. Where can I buy Max Brooks Zombie Survival Guide books? Bookstores: Physical bookstores like Barnes & Noble,

- Waterstones, and independent local stores. Online Retailers: Amazon, Book Depository, and various online bookstores offer a wide range of books in physical and digital formats.
2. What are the different book formats available? Hardcover: Sturdy and durable, usually more expensive. Paperback: Cheaper, lighter, and more portable than hardcovers. E-books: Digital books available for e-readers like Kindle or software like Apple Books, Kindle, and Google Play Books.
  3. How do I choose a Max Brooks Zombie Survival Guide book to read? Genres: Consider the genre you enjoy (fiction, non-fiction, mystery, sci-fi, etc.). Recommendations: Ask friends, join book clubs, or explore online reviews and recommendations. Author: If you like a particular author, you might enjoy more of their work.
  4. How do I take care of Max Brooks Zombie Survival Guide books? Storage: Keep them away from direct sunlight and in a dry environment. Handling: Avoid folding pages, use bookmarks, and handle them with clean hands. Cleaning: Gently dust the covers and pages occasionally.
  5. Can I borrow books without buying them? Public Libraries: Local libraries offer a wide range of books for borrowing. Book Swaps: Community book exchanges or online platforms where people exchange books.
  6. How can I track my reading progress or manage my book collection? Book Tracking Apps: Goodreads, LibraryThing, and Book Catalogue are popular apps for tracking your reading progress and managing book collections. Spreadsheets: You can create your own spreadsheet to track books read, ratings, and other details.
  7. What are Max Brooks Zombie Survival Guide audiobooks, and where can I find them? Audiobooks: Audio recordings of books, perfect for listening while commuting or multitasking. Platforms: Audible, LibriVox, and Google Play Books offer a wide selection of audiobooks.
  8. How do I support authors or the book industry? Buy Books: Purchase books from authors or independent bookstores. Reviews: Leave reviews on platforms like Goodreads or Amazon. Promotion: Share your favorite books on social media or recommend them to friends.
  9. Are there book clubs or reading communities I can join? Local Clubs: Check for local book clubs in libraries or community centers. Online Communities: Platforms like Goodreads have virtual book clubs and discussion groups.
  10. Can I read Max Brooks Zombie Survival Guide books for free? Public Domain Books: Many classic books are available for free as they're in the public domain. Free E-books: Some websites offer free e-books legally, like Project Gutenberg or Open Library.

**Find Max Brooks Zombie Survival Guide :**

*matokeo ya darasa la saba 2005*

*mea louise bourgeois the she fox 1985*

*math crossword puzzle answers wetsealore*

*matlab underwater acoustic communication domain*

*matthew arnold culture and anarchy chapter 1*

**mcgraw hill fundamental accounting principles 20th edition**

*marketing management 14th ed by philip kotler international economy edition*

*mathematics diploma atul publication*

**manual vw golf 4 gmajor**

*manual for a 8312 discbine*

*measures of central tendency worksheets and answers*

*massey ferguson service 6200 series mf 6235 mf 6245 mf 6255 mf 6260 mf 6265 mf 6270 mf 6280 mf 6290 manual complete*

*tractor workshop manual shop repair book*

*manual on the causes and control of activated sludge bulking foaming and other solids separation problems 3rd edition*

*mechanical engineering handbook rk jain*

*mastering basic concepts unit 3 answers sociology*

**Max Brooks Zombie Survival Guide :**

**9709 s11 ms 13 gce guide** - Dec 18 2021

**cambridge as a level further math 9231 11 mark scheme** - Nov 16 2021

*grade 11 past exam papers testpapers* - Oct 28 2022

*web jun 30 2021 mathematics grade 11 march june and november exam papers and memos 2020 list of mathematics grade*

*11 march and june exam papers and*

*may june 2013 question paper scanned version vidyarthiplus* - Jan 19 2022

*mathematics grade 11 march june and november exam papers* - Jul 25 2022

web mathematics grade 11 june exam paper 2013 pdf pages 3 19 mathematics grade 11 june exam paper 2013 pdf upload  
suny o hayda 3 19 downloaded from

**cambridge as a level math 9709 11 mark scheme may jun** - Nov 28 2022

web by aucfinderza may 15 2023 in grade 11 past papers 0 looking for mathematics grade 11 exam papers and memos you ve  
come to the right place aucfinder offers

**mathematics grade 11 june exam papers and memos** - Feb 17 2022

web mark scheme 11 mark scheme 12 mark scheme 13 mark scheme 21 mark scheme 22 mark scheme 23 others examiner  
report grade threshold further mathematics

**grade 11 past papers memos mathematics** - Jul 05 2023

web 2013 grade 11 exemplar math paper 2 2013 grade 11 exemplar math paper 2 memo end change exam period below june  
grade 11 finals

**grade 11 mathematical literacy june test and memo 2023 2** - Mar 21 2022

web mark scheme for the may june 2011 question paper for the guidance of teachers 9709 mathematics 9709 13 paper 1  
maximum raw mark 75 this mark scheme is

**national senior certificate grade 11 st stithians** - Dec 30 2022

web grade 11 november 2013 mathematics p2 marks 150 time 3 hours this question paper consists of 12 pages including 2  
diagram sheets 2 mathematics p2

mathematics gr11 crystal math past papers - May 03 2023

web sep 2 2019 mathematics 2018 title modified date paper 2 answerbook english afrikaans 9 2 2019 download paper 2  
english 9 2 2019 download paper 2

*exemplar gr11 math crystal math past papers south* - Apr 02 2023

web answer 2 3 1 2 2 1 4 8 0 p p 4 8p 0 answer 2 3 2 1 hence 1 5 5 and 1 5 0 and 1 0 5 1 x x x x x x x

**grade 11 mathematics exam papers testpapers** - Sep 07 2023

web grade 11 mathematics papers june exam papers and november exam papers 2023 2012 are available in english and  
afrikaans gauteng june exam papers north west

**mathematics grade 11 june exam paper 2013 pdf download** - Apr 21 2022

web anna university b e b tech degree examination may june 2013 first semester ma2111 mathematics i common to all  
branches regulations 2008 semester 1st

grade 11 exemplars 2013 national department of basic education - Oct 08 2023

web grade 11 exemplars 2013 accounting title accounting afrikaans download accounting afrikaans answer book

mathematical literacy title mathematics afrikaans p1

*mathematics grade 11 exam papers and memos 2023 pdf* - Aug 26 2022

web this products contains the following grade 11 test papers and memorandums for the june exams all papers have been set up according to caps specifications afrikaans eat

**grade 11 exemplars 2013 national department of basic education** - Mar 01 2023

web mathematics 9709 11paper 1 pure mathematics 1 p1 mark scheme may june 2013as and a level cambridge international examination mark scheme of

**grade 11 november 2013 mathematics p2 crystal math** - Sep 26 2022

web answer all questions clearly show all calculations diagrams graphs et cetera that you have used in determining your answers answers only will not necessarily be awarded

grade 11 mathematics past papers memos maths - Jun 04 2023

web grade 11 exemplars 2013 grade 11 exemplars 2013 title mathematics afrikaans p1 download mathematics afrikaans p1 memo download mathematics afrikaans p2

*grade 11 common examination papers national department of* - Jan 31 2023

web june exam papers and november exam papers for 29 different subjects for grade 11 available in english and afrikaans find old exam papers and memos for afrikaans fal

**grade 11 june exams papers and memo s 2022 2023** - May 23 2022

web mathematics higher papers and answers in this book these are 5 sets of papers 1 2 3 written as practice papers for gcse mathematics higher examination in may june

**maths exam papers and study material for grade 11** - Aug 06 2023

web sep 27 2023 m grade 11 2018 november maths paper 1 solutions n grade 11 2018 november maths paper 2 solutions o grade 11 2018 november maths paper 2

**2013 grade 11 final exam nov math paper 1 ec studocu** - Jun 23 2022

web summaries sa mathematical literacy pdf memorandum rubric included this product contains a downloadable grade 11 mathematical literacy test and memo for the june

learn about being a coa certified ophthalmic assistant - May 06 2022

web 1 for this level there is a written exam and no skill evaluation the cost of the exam is 300 exams are taken at a pearson vue test center you will apply for the exam

**ophthalmic assistant exam prep 400 practice questions for the** - Aug 09 2022

web resource for anyone preparing to become certified as an ophthalmic assistant with over 650 exam style questions and

explanatory answers illustrations and photographs this  
[certified ophthalmic assistant exam flashcards quizlet](#) - Nov 12 2022

web double vision in an adult is potentially serious if vision is single with one eye covered this indicates a muscle balance problem which could indicate a possible brain tumor or nerve

**certified ophthalmic assistant coa exam eye** - Jul 20 2023

web there are 200 questions on the ophthalmic assistant exam divided across the following twenty two categories history and documentation 5 visual assessment 6 visual

*18 certified ophthalmic assistant interview questions with* - Jan 02 2022

*ophthalmic assistant set up a practice test dynamicpath com* - Oct 11 2022

web aug 28 2016 see all formats and editions dynamic path s presents our premier ophthalmic assistant exam prep module to prepare you for jcahpo s certified

**test your basic knowledge of certified ophthalmic assistant** - Oct 23 2023

web certified ophthalmic assistant answer 50 questions in 15 minutes if you are not ready to take this test you can study here match each statement with the correct term don t refresh all questions and answers are randomly picked and ordered every time you load a test

[certified ophthalmic assistant coa flashcards quizlet](#) - Feb 15 2023

web 119 terms kendra smits9 start studying certified ophthalmic assistant exam learn vocabulary terms and more with flashcards games and other study tools

*ophthalmic assistant certification exam ophthalmic technician* - Mar 04 2022

web an interviewer might ask this question to a certified ophthalmic assistant to get a sense of how the assistant would handle a potential stressful situation this question is

**coareview** - Dec 13 2022

web ophthalmic assistant set up a practice test comprehensive question by question results for test mode are available by e mail if you would prefer to check your answers

*50 free exam questions for professional academic and* - Sep 22 2023

web online and on the go dynamic path will help prepare you for your exam your education your career and your life 50 free practice test questions for the certified ophthalmic

**a guide to eye examinations in singapore 2021 chewoptics sg** - Feb 03 2022

web there are 200 questions on the ophthalmic assistant exam divided across the following twenty two categories history and

documentation 5 visual assessment 6 visual

*certified ophthalmic assistant exam flashcards quizlet* - Apr 17 2023

web the certified ophthalmic assistant coa is the entry level core designation designed to start eye care professionals on the path to success the coa designation confirms an

**ophthalmic assistant class flashcards quizlet** - Apr 05 2022

web may 28 2021 we re located at 144 teck whye lane 01 211 open daily except mondays for further enquiries contact us at 65 8314 7093 extensive examinations are what

**certified ophthalmic assistant basicversity com** - Jul 08 2022

web updated march 3 2023 what does a coa do a certified ophthalmic assistant coa is an entry level ophthalmic professional who works under the supervision of an

*ophthalmic assistant practice quiz* - Jun 19 2023

web careers administrator tools contact us practice tests for the coa certification exam the eyetec net coa exam practice tests draw from a database of over 1600

**certified ophthalmic assistant flashcards quizlet** - Sep 10 2022

web test yourself use this basicversity study tool flashcard to master your basic knowledge about certified ophthalmic assistant

**practice tests for the coa certification exam eyetec net** - May 18 2023

web question 1 which of the following conditions is not hereditary a migraines b diabetes c nystagmus d conjunctivitis click the card to flip d conjunctivitis click the

*certified ophthalmic assistant ijcahpo international* - Mar 16 2023

web study with quizlet and memorize flashcards containing terms like how are systemic medications administered how should drops be properly instilled into a patient s eye

**ophthalmic assistant practice quiz** - Dec 01 2021

*certified ophthalmic assistant exam flashcards quizlet* - Jan 14 2023

web 1 187 flashcards learn test match q chat created by terms in this set 187 which of the following conditions is not hereditary a migraines b diabetes c nystagmus d

*certified ophthalmic assistant multiple choice practice* - Jun 07 2022

web 81 terms cmar80 preview coa practice test 197 terms linzloowho preview certified ophthalmic assistant coa 639 terms crissie crider preview certified ophthalmic

**certified ophthalmic assistant exam review flashcards quizlet** - Aug 21 2023

web questions asked of a hypertensive patient should include a method of blood pressure control sensation of pressure in the eye last blood pressure reading b weight loss last

**sanborns** - Apr 02 2022

web moonfire el viaje epico del apollo 11 downloaded from donate gpshope org by guest raiden journey the scientist as rebel da capo press one of the greatest writers of

*moonfire el viaje epico del apollo 11 sam arabtravelers* - Dec 30 2021

web el 20 de julio de 1969 la ciencia ficción se hizo realidad reviva el trascendental alunizaje del apolo 11 en este innovador libro extractos de la novela de norman mailer of a fire

*moonfire el viaje epico del apolo 11* - Sep 07 2022

web moonfire el viaje epico del apollo 11 3 3 depuis 1931 il commença à fixer sur la pellicule le quotidien des surfeurs californiens et hawaïens au début des années 1960

**moonfire el viaje epico del apolo 11 casa** - Sep 19 2023

web moonfire el viaje Épico del apollo 11 mailer norman mccann colum feito jordi fibla regueiro antonio m amazon es libros

**moonfire el viaje epico del apollo 11 pdf donate gpshope** - Jan 31 2022

web moonfire el viaje epico del apollo 11 3 3 reached breaking point reading daniel t willingham on educational neuroscience written for busy teachers trainers managers

moonfire el viaje epico del apollo 11 dashboard skreens com - Nov 28 2021**moonfire el viaje épico del apollo 11 norman mailer comprar** - Jan 11 2023

web moonfire el viaje Épico del apollo 11 de mailer norman mccann colum en iberlibro com isbn 10 3836520796 isbn 13 9783836520799 taschen 2015

*moonfire el viaje Épico del apollo 11 iberlibro com* - Nov 09 2022

web libro moonfire el viaje epico del apolo 11 del autor norman mailer al mejor precio nuevo o segunda mano en casa del libro méxico

moonfire el viaje epico del apollo 11 sam arabtravelers - Mar 01 2022

web 4 moonfire el viaje epico del apollo 11 2022 02 04 procedure includes performance data fuels biographies of armstrong aldrin and collins gene kranz and werner von

moonfire el viaje epico del apollo 11 pd - Mar 13 2023

web may 16 2019 el viaje épico del apollo 11 del autor mailer norman con isbn 9783836571166 comprar libro al mejor

precio resumen ha sido llamado el

**norman mailer moonfire el viaje epico del apollo 11** - Oct 28 2021

**norman mailer moonfire el viaje épico del apollo 11 by mailer** - Oct 08 2022

web compre online moon fire the epic journey of apollo 11 de mailer norman mccann colum na amazon frete grátis em milhares de produtos com o amazon prime

*amazon com norman mailer moonfire el viaje épico del apollo* - Jun 16 2023

web jan 1 2019 moonfire el viaje epico del apolo 11 es una libro escrito por norman mailer descubre todos los libros de libros arte fotografía fotografía

**moonfire el viaje Épico del apollo 11 amazon es** - Aug 18 2023

web moonfire el viaje épico del apollo 11 9783836520799 mailer norman mccann colum feito jordi fibla regueiro antonio m libros libros literatura y ficción historia y

*moonfire el viaje epico del apollo 11 retailer bonide* - Jul 05 2022

web moonfire el viaje epico del apollo 11 3 3 montage of images and reflections on humanity s dream of spaceflight in a survey of major figures from johannes kepler to

**moon fire the epic journey of apollo 11 amazon com br** - Aug 06 2022

web nietzsche one part de sade and one part charlie parker an american dream grabs the reader by the throat and refuses to let go praise for an american dream perhaps the

**moonfire el viaje epico del apollo 11 copy solutions milnerbrowne** - May 03 2022

web moonfire el viaje epico del apollo 11 3 3 de l auteur nous dévoile toute une palette d impressions et de souvenirs de ces petits ou grands événements qui ont écrit l histoire

**moonfire el viaje epico del apolo 11 lavanguardia com** - Apr 14 2023

web el viaje épico del apollo 11 mailer norman mccann colum feito jordi fibla regueiro antonio m on amazon com au free shipping on eligible orders moonfire el viaje

norman mailer moonfire el viaje épico del apollo 11 - Jul 17 2023

web mar 29 2010 amazon com norman mailer moonfire el viaje épico del apollo 11 9783836520799 mailer norman mccann colum feito jordi fibla regueiro antonio

**norman mailer moonfire el viaje épico del apollo 11** - Feb 12 2023

web moonfire el viaje Épico del aplo 11 the epic journey of apollo 11 norman mailer 160 000 u003cpu003eit has been called the single most historic event

**moonfire el viaje Épico del aplo 11 the epic** - Dec 10 2022

web buy norman mailer moonfire el viaje épico del apollo 11 by mailer norman mccann colum feito jordi fibla regueiro  
antonio m online on amazon ae at best prices fast

moonfire el viaje epico del apollo 11 - Jun 04 2022

web producto 346565 moonfire el viaje epico de apollo 11

**moonfire the epic journey of apollo 11 in pictures** - May 15 2023

web moonfire el viaje epico del apollo 11 pd mailer norman 1 247 00 moonfire y la luna se acercó un homenaje único a la  
misión científica decisiva de