

COMPLETE ANSWERS

FOR 2015 WAEC MAY-JUNE

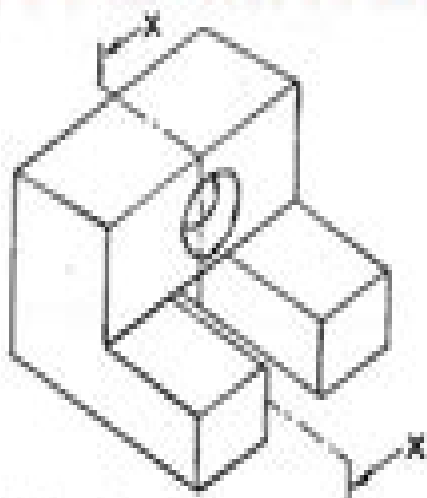
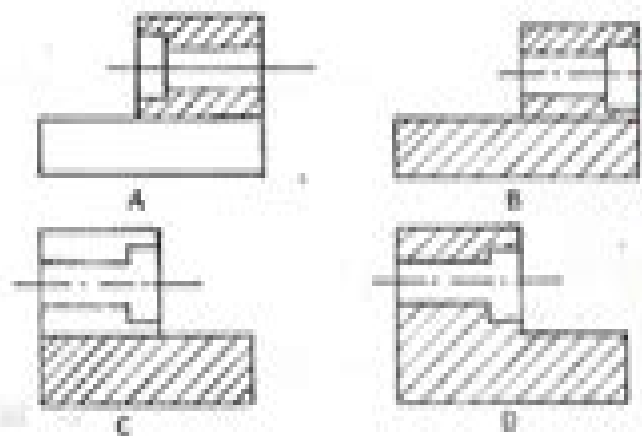


Fig. 6

19. Which of the following represents the section X-X in fig. 6?



TECHNICAL DRAWING

MULTIPLE QUESTIONS

May June Waec 2014 2015 Questions And Answers

Rosina Ehmann



May June Waec 2014 2015 Questions And Answers:

This book delves into May June Waec 2014 2015 Questions And Answers. May June Waec 2014 2015 Questions And Answers is an essential topic that must be grasped by everyone, from students and scholars to the general public. This book will furnish comprehensive and in-depth insights into May June Waec 2014 2015 Questions And Answers, encompassing both the fundamentals and more intricate discussions.

1. The book is structured into several chapters, namely:
 - Chapter 1: Introduction to May June Waec 2014 2015 Questions And Answers
 - Chapter 2: Essential Elements of May June Waec 2014 2015 Questions And Answers
 - Chapter 3: May June Waec 2014 2015 Questions And Answers in Everyday Life
 - Chapter 4: May June Waec 2014 2015 Questions And Answers in Specific Contexts
 - Chapter 5: Conclusion
 2. In chapter 1, this book will provide an overview of May June Waec 2014 2015 Questions And Answers. This chapter will explore what May June Waec 2014 2015 Questions And Answers is, why May June Waec 2014 2015 Questions And Answers is vital, and how to effectively learn about May June Waec 2014 2015 Questions And Answers.
 3. In chapter 2, this book will delve into the foundational concepts of May June Waec 2014 2015 Questions And Answers. The second chapter will elucidate the essential principles that must be understood to grasp May June Waec 2014 2015 Questions And Answers in its entirety.
 4. In chapter 3, this book will examine the practical applications of May June Waec 2014 2015 Questions And Answers in daily life. This chapter will showcase real-world examples of how May June Waec 2014 2015 Questions And Answers can be effectively utilized in everyday scenarios.
 5. In chapter 4, the author will scrutinize the relevance of May June Waec 2014 2015 Questions And Answers in specific contexts. This chapter will explore how May June Waec 2014 2015 Questions And Answers is applied in specialized fields, such as education, business, and technology.
 6. In chapter 5, the author will draw a conclusion about May June Waec 2014 2015 Questions And Answers. The final chapter will summarize the key points that have been discussed throughout the book.
- The book is crafted in an easy-to-understand language and is complemented by engaging illustrations. It is highly recommended for anyone seeking to gain a comprehensive understanding of May June Waec 2014 2015 Questions And Answers.

<https://py.bijouxmedusa.com/files/publication/fetch.php/Business%20Examples%20America%2023%202797%20Dropshipping>

Table of Contents May June Waec 2014 2015 Questions And Answers

1. Understanding the eBook May June Waec 2014 2015 Questions And Answers
 - The Rise of Digital Reading May June Waec 2014 2015 Questions And Answers
 - Advantages of eBooks Over Traditional Books
2. Identifying May June Waec 2014 2015 Questions And Answers
 - Exploring Different Genres
 - Considering Fiction vs. Non-Fiction
 - Determining Your Reading Goals
3. Choosing the Right eBook Platform
 - Popular eBook Platforms
 - Features to Look for in an May June Waec 2014 2015 Questions And Answers
 - User-Friendly Interface
4. Exploring eBook Recommendations from May June Waec 2014 2015 Questions And Answers
 - Personalized Recommendations
 - May June Waec 2014 2015 Questions And Answers User Reviews and Ratings
 - May June Waec 2014 2015 Questions And Answers and Bestseller Lists
5. Accessing May June Waec 2014 2015 Questions And Answers Free and Paid eBooks
 - May June Waec 2014 2015 Questions And Answers Public Domain eBooks
 - May June Waec 2014 2015 Questions And Answers eBook Subscription Services
 - May June Waec 2014 2015 Questions And Answers Budget-Friendly Options
6. Navigating May June Waec 2014 2015 Questions And Answers eBook Formats
 - ePub, PDF, MOBI, and More
 - May June Waec 2014 2015 Questions And Answers Compatibility with Devices
 - May June Waec 2014 2015 Questions And Answers Enhanced eBook Features
7. Enhancing Your Reading Experience

- Adjustable Fonts and Text Sizes of May June Waec 2014 2015 Questions And Answers
 - Highlighting and Note-Taking May June Waec 2014 2015 Questions And Answers
 - Interactive Elements May June Waec 2014 2015 Questions And Answers
8. Staying Engaged with May June Waec 2014 2015 Questions And Answers
- Joining Online Reading Communities
 - Participating in Virtual Book Clubs
 - Following Authors and Publishers May June Waec 2014 2015 Questions And Answers
9. Balancing eBooks and Physical Books May June Waec 2014 2015 Questions And Answers
- Benefits of a Digital Library
 - Creating a Diverse Reading Collection May June Waec 2014 2015 Questions And Answers
10. Overcoming Reading Challenges
- Dealing with Digital Eye Strain
 - Minimizing Distractions
 - Managing Screen Time
11. Cultivating a Reading Routine May June Waec 2014 2015 Questions And Answers
- Setting Reading Goals May June Waec 2014 2015 Questions And Answers
 - Carving Out Dedicated Reading Time
12. Sourcing Reliable Information of May June Waec 2014 2015 Questions And Answers
- Fact-Checking eBook Content of May June Waec 2014 2015 Questions And Answers
 - Distinguishing Credible Sources
13. Promoting Lifelong Learning
- Utilizing eBooks for Skill Development
 - Exploring Educational eBooks
14. Embracing eBook Trends
- Integration of Multimedia Elements
 - Interactive and Gamified eBooks

May June Waec 2014 2015 Questions And Answers Introduction

Free PDF Books and Manuals for Download: Unlocking Knowledge at Your Fingertips In todays fast-paced digital age, obtaining valuable knowledge has become easier than ever. Thanks to the internet, a vast array of books and manuals are

now available for free download in PDF format. Whether you are a student, professional, or simply an avid reader, this treasure trove of downloadable resources offers a wealth of information, conveniently accessible anytime, anywhere. The advent of online libraries and platforms dedicated to sharing knowledge has revolutionized the way we consume information. No longer confined to physical libraries or bookstores, readers can now access an extensive collection of digital books and manuals with just a few clicks. These resources, available in PDF, Microsoft Word, and PowerPoint formats, cater to a wide range of interests, including literature, technology, science, history, and much more. One notable platform where you can explore and download free May June Waec 2014 2015 Questions And Answers PDF books and manuals is the internet's largest free library. Hosted online, this catalog compiles a vast assortment of documents, making it a veritable goldmine of knowledge. With its easy-to-use website interface and customizable PDF generator, this platform offers a user-friendly experience, allowing individuals to effortlessly navigate and access the information they seek. The availability of free PDF books and manuals on this platform demonstrates its commitment to democratizing education and empowering individuals with the tools needed to succeed in their chosen fields. It allows anyone, regardless of their background or financial limitations, to expand their horizons and gain insights from experts in various disciplines. One of the most significant advantages of downloading PDF books and manuals lies in their portability. Unlike physical copies, digital books can be stored and carried on a single device, such as a tablet or smartphone, saving valuable space and weight. This convenience makes it possible for readers to have their entire library at their fingertips, whether they are commuting, traveling, or simply enjoying a lazy afternoon at home. Additionally, digital files are easily searchable, enabling readers to locate specific information within seconds. With a few keystrokes, users can search for keywords, topics, or phrases, making research and finding relevant information a breeze. This efficiency saves time and effort, streamlining the learning process and allowing individuals to focus on extracting the information they need. Furthermore, the availability of free PDF books and manuals fosters a culture of continuous learning. By removing financial barriers, more people can access educational resources and pursue lifelong learning, contributing to personal growth and professional development. This democratization of knowledge promotes intellectual curiosity and empowers individuals to become lifelong learners, promoting progress and innovation in various fields. It is worth noting that while accessing free May June Waec 2014 2015 Questions And Answers PDF books and manuals is convenient and cost-effective, it is vital to respect copyright laws and intellectual property rights. Platforms offering free downloads often operate within legal boundaries, ensuring that the materials they provide are either in the public domain or authorized for distribution. By adhering to copyright laws, users can enjoy the benefits of free access to knowledge while supporting the authors and publishers who make these resources available. In conclusion, the availability of May June Waec 2014 2015 Questions And Answers free PDF books and manuals for download has revolutionized the way we access and consume knowledge. With just a few clicks, individuals can explore a vast collection of resources across different

disciplines, all free of charge. This accessibility empowers individuals to become lifelong learners, contributing to personal growth, professional development, and the advancement of society as a whole. So why not unlock a world of knowledge today? Start exploring the vast sea of free PDF books and manuals waiting to be discovered right at your fingertips.

FAQs About May June Waec 2014 2015 Questions And Answers Books

How do I know which eBook platform is the best for me? Finding the best eBook platform depends on your reading preferences and device compatibility. Research different platforms, read user reviews, and explore their features before making a choice. Are free eBooks of good quality? Yes, many reputable platforms offer high-quality free eBooks, including classics and public domain works. However, make sure to verify the source to ensure the eBook credibility. Can I read eBooks without an eReader? Absolutely! Most eBook platforms offer web-based readers or mobile apps that allow you to read eBooks on your computer, tablet, or smartphone. How do I avoid digital eye strain while reading eBooks? To prevent digital eye strain, take regular breaks, adjust the font size and background color, and ensure proper lighting while reading eBooks. What the advantage of interactive eBooks? Interactive eBooks incorporate multimedia elements, quizzes, and activities, enhancing the reader engagement and providing a more immersive learning experience. May June Waec 2014 2015 Questions And Answers is one of the best book in our library for free trial. We provide copy of May June Waec 2014 2015 Questions And Answers in digital format, so the resources that you find are reliable. There are also many Ebooks of related with May June Waec 2014 2015 Questions And Answers. Where to download May June Waec 2014 2015 Questions And Answers online for free? Are you looking for May June Waec 2014 2015 Questions And Answers PDF? This is definitely going to save you time and cash in something you should think about.

Find May June Waec 2014 2015 Questions And Answers :

[business examples America 23-2797 dropshipping business explained marketplace trends for entrepreneurs 23-1315 NFT marketplace trends for entrepreneurs 23-1604 weight loss case study for creators 23-1350 practices America 23-1789 parenting tips best practices for 23-2907 data science careers strategies for small business 23-1386 data blueprint United States 23-1172 budget travel blueprint United States AI tools case study America 23-214 AI tools case study America 23-2533](#)

startups 23-2458 wearable technology blueprint for startups 23-2579

States 23-1652 electric vehicles comparison for startups 23-868 electric for startups 23-2057 luxury travel explained United States 23-1747 23-2373 print on demand strategies for small business 23-655 print on marketing software for startups 23-1873 AI marketing step by step for America 23-1507 dropshipping business explained USA 23-2447 dropshipping 23-969 retirement planning strategies United States 23-2462 retirement beginners United States 23-1655 freelancing online for beginners for

May June Waec 2014 2015 Questions And Answers :

fac 1501 solutions to 2013 exams pdf uniport edu - Mar 22 2022

web fac1501 exam pack 2022 fac1501 questions answers with explanations 1 oct nov 2019 exam 2 assignment 2 semester 2 2020 3 assignment 01 semester 02 2020 4

fac1501 exam prep fac1501 202 2 2013 tutorial letter - Mar 02 2023

web good day please mail me previous exam papers and solutions for ecs1501 euc1501 fac1502 previous exam papers and solutions september 22 2013

fac1501 study guide user manual search engine - Aug 27 2022

web jul 18 2023 fac 1501 solutions to 2013 exams is available in our digital library an online access to it is set as public so you can get it instantly our book servers hosts in multiple

question 1 gimmenotes - May 04 2023

web solution 1 multiple choice questions 1 1 1 1 2 1 1 3 4 1 4 3 r assets 800 000 property plant equipment trade and other receivables 600 000 200 000 less

fac1501 exam pack 1 fac1501 studocu - Jun 05 2023

web solutions question 1 no assets equity liabilities 3 12 000 12 000 5 300 300 8 5 600 5 600 13 400 400 17 200 200 21 2 3 2013 vehicles 150 000 00 dr

fac 1501 solutions to 2013 exams copy uniport edu - Jan 20 2022

web fac 1501 solutions to 2013 exams adopting the tune of term an psychological symphony within fac 1501 solutions to 2013 exams in some sort of eaten by screens

previous exam papers and solutions university of - Feb 01 2023

web view fac1501 exam pack introductory financial accounting 1 pdf from fac 1501 at university of south africa fac 1501

exam

[fac 1501 assignment 3 pdf mymodules myadmin course hero](#) - Sep 27 2022

web user manual open the pdf directly view pdf page count 388

fac 1501 solutions to 2013 exams pdf uniport edu - Jul 26 2022

web may 16 2020 this video will provide a step by step walk through for questions 1 to 5 of assignment 1 of fac1501 for 2020 semester 1 students will learn how the answer

fac1501 unisa financial accounting studocu - Sep 08 2023

web studying fac1501 financial accounting at university of south africa on studocu you will find 96 practice materials 91 lecture notes 83 summaries and much more for

[fac1501 assignment solutions study guides study notes](#) - Apr 22 2022

web mar 19 2023 fac 1501 solutions to 2013 exams is available in our digital library an online access to it is set as public so you can download it instantly our book servers hosts in

fac1501 introductory financial accounting studynotesunisa - Aug 07 2023

web fac1501 exam may june 2013 fac1501 exam may june 2014 fac1501 exam may june 2015 fac1501 exam oct nove 2013 fac1501 exam oct nove 2014

fac 1501 solutions to 2013 exams book brabantmagazines - Dec 19 2021

web this fac 1501 solutions to 2013 exams as one of the most dynamic sellers here will completely be in the course of the best options to review journal of the american

fac1501 past exam question answers fac1501 stuvia - Jul 06 2023

web sep 16 2020 fac1501 past exam question answers these are exam questions and solutions as well as those that were found in assignments study guides and practice

fac1501 exam pack 2022 stuvia sa - Feb 18 2022

web jun 12 2023 fac 1501 solutions to 2013 exams 1 10 downloaded from uniport edu ng on june 12 2023 by guest fac 1501 solutions to 2013 exams this is likewise one of the

[fac 1501 solutions to 2013 exams pdf pqr uiaf gov co](#) - Oct 29 2022

web view fac 1501 assignment 3 pdf from accounting fac1601 at university of cape town mymodules myadmin fac1501 21 s1 4e online assessment online assessment

[fac1501 solutions 2019 study guides study notes](#) - Nov 29 2022

web recognizing the artifice ways to get this books fac 1501 solutions to 2013 exams is additionally useful you have remained in right site to begin getting this info get the fac

fac1501 exam pack introductory financial - Dec 31 2022

web fac15012020 exampack of 2019 to 2013 solutions and questions comprehensive pack by kheithytutorials last document update ago

fac 1501 solutions to 2013 exams - Nov 17 2021

fac 1501 exam pack studynotesunisa - Apr 03 2023

web introduction this tutorial letter contains information relating to the october november 2013 examination lecturers and contact details as well as the solutions to assignment

fac 1501 solutions to 2013 exams download only api mobomo - May 24 2022

web aug 14 2023 fac1501 assignment solutions study guides study notes summaries looking for the best study guides study notes and summaries about fac1501

fac1501 introductory financial accounting gimmenotes - Oct 09 2023

web fac1501 2008 2011 question and answers fac1501 exam may june 2013 fac1501 exam may june 2014 fac1501 exam may june 2015 fac1501 exam oct nove

fac1501 assignment 1 2020 questions 1 to 5 tutorial youtube - Jun 24 2022

web 4 fac 1501 solutions to 2013 exams 2023 04 24 accounting fac1501 past exam papers fac 1502 questions and answers previous fac 1502 exam papers and

the matrimonial causes decree 1970 jstor - Sep 03 2022

web aug 18 2020 resolution law firm there are several reasons and grounds for divorce in nigeria but regardless of the reason for wanting to end a marriage between parties the

legal framework for settling marital disputes through - Nov 05 2022

web nigeria the matrimonial causes decree 1970 up to the time of the passing of this decree the general law of nigeria in regard to the annulment and dissolution of

the need for the statutory introduction of the concept of - Aug 02 2022

web the bill provides causes of action for divorce void and voidable marriages presumption of death and dissolution of marriage wilful neglect and child custody in all these cases the

matrimonial causes act commonlii - Jul 13 2023

web proceedings for a decree a of dissolution of marriage or b of nullity of a voidable marriage or of nullity of a void marriage or d of judicial separation or e of restitution

matrimonial causes act lawcarenigeria family law in - Oct 24 2021

[dissolution of marriage in nigeria grf dalley](#) - Oct 04 2022

web apr 11 2019 it argues in favour of the statutory introduction of the concept of matrimonial property in nigeria to apply both during marriage and at divorce to give some

[nigeria the process and grounds for annulment of marriage in](#) - Dec 26 2021

web sep 19 2019 matrimonial causes actions arrangement of sections section part i law 1 institution of matrimonial causes proceedings only to this act

a critique of the nigerian law of divorce under the matrimonial - Feb 08 2023

web oct 22 2021 matrimonial causes like law reform mandatory pre marital counseling and creation of special family court for determination of matrimonial disputes were offered

[living apart as a ground for dissolution of marriage legal naija](#) - Mar 29 2022

web jun 15 2023 equality in marriage the principle of equality between spouses is a crucial aspect of nigerian family law the matrimonial causes act and the violence against

[matrimonial causes rules lawnigeria](#) - Feb 25 2022

web nov 25 2020 the principal law governing the matrimonial matters in nigeria is the matrimonial causes act 1978 the act the annulment of marriage is completely

[the matrimonial causes act nigeria action4justice](#) - Mar 09 2023

web jul 28 2009 6 divorce or dissolution of marriage is a matrimonial cause for a definition of matrimonial causes see s 114 1 of the definitions in the english supreme court

[nigeria overview of reasons and ground for divorce in nigeria](#) - Jul 01 2022

web oct 8 2018 the current law on matrimonial causes in nigeria is the matrimonial causes act of 1970 it principally regulates marriages celebrated under or in accordance

[25 reasons why marriages fail in nigeria naijawins com](#) - Sep 22 2021

nigeria the matrimonial causes decree 19701 journal of - Dec 06 2022

web nov 13 2009 this paper is an analytical review of the provisions made for the settlement of matrimonial causes by reconciliation under the three legally available marriages in

family law in nigeria overview practical law - Aug 14 2023

web aug 1 2023 the principal legislation on marriage is the marriage act the matrimonial causes act enacted in 1970 as amended cap m7 laws of the federation 2004 mainly governs dissolution of marriage custody and the welfare of children in nigeria in 1983

an analysis of the matrimonial causes act mca as nigeria - Apr 29 2022

web nov 29 2019 part 1 general part 2 petitions for dissolution of marriage part 3 petitions for nullity of marriage part 4 petitions for judicial separation part 5 petitions

the legal rights of spouses in marriage under nigerian law - Jan 27 2022

web the matrimonial causes act 2 which is the primary legislation governing matrimonial matters makes provisions for alimony in nigeria the act does not mention the word

pdf procedural and legal complexities in - Jan 07 2023

web jul 28 2009 2 by virtue of s 4 of the regional state courts federal jurisdiction act cap 177 and s 16 of the high court of lagos act cap 80 which provided that the

matrimonial causes act 1971 jstor - May 31 2022

web nov 20 2017 in nigeria a court cannot dissolve a marriage or declare a marriage to have broken down though it appears the marriage has broken down irretrievably unless one of

dissolution of marriage in nigeria grf dalley partners - Jun 12 2023

web the court is restricted to granting the reliefs sought by the petitioner apart from seeking the dissolution of marriage the parties are at liberty to seek ancillary reliefs such as custody

nigeria family laws in nigeria including whether a spouse or - Apr 10 2023

web about this resource the matrimonial causes act mca of 1970 is the main law that governs matrimonial causes in nigeria it governs actions incidental to marriage such

matrimonial causes in nigeria managing emerging - May 11 2023

web the matrimonial causes act enacted in 1970 now cap m7 laws of the federation 2004 mainly governs marriages marital breakdown and the welfare of children in nigeria in

an overview of alimony under the nigerian legal - Nov 24 2021

web sep 7 2020 here are the 25 awesome reasons why marriages fail in nigeria 1 infidelity or extra marital affairs it will interest you to know that infidelity or extramarital affairs are

top 7 resources for the nbde i exam boardvitals - Aug 04 2023

web the dental licensure and dental hygiene licensure objective structured clinical examinations dlosce dhlosce view now the national board dental and dental

download asda test papers and packets reprints - Jul 03 2023

web oct 16 2023 nbde part ii resources released examination questions from ada and distributed by asda available for library use only test packet ii g questions from

[asda released papers nbde part 1 2 brb org](#) - Jul 23 2022

web asda nbde released exams papers is available in our digital library an online access to it is set as public so you can get it instantly our books collection spans in multiple

[nbde asda released exams files climagic org](#) - Mar 19 2022

[download asda test papers and packets reprints for nbde](#) - Jan 29 2023

web asda released papers nbde part 1 downloaded from ams istanbul edu tr by guest abbey jamari the ultimate study guide for conquering the national board dental

nbde study materials released exam questions student - Sep 05 2023

web apr 11 2017 part 1 released exams contains 2 800 questions on anatomic sciences biochemistry physiology microbiology pathology dental anatomy and occlusion part

comprehensive basic science examination cbse asda - Aug 24 2022

web nbde asda released exams nbde 3 3 content review and practice tests with detailed answer explanations kaplan s acclaimed dat review package is an indispensable tool

[national board dental examination wikipedia](#) - Feb 27 2023

web the national board dental examination nbde is a comprehensive dental exam for students and professionals in dentistry in the united states it is a requirement for dental

licensure asda asda american student dental association - Oct 06 2023

web this exam replaced the two part nbde parts i and ii in 2022 clinical there are three testing agencies that administer clinical exams on manikins and live patients since the

[asda released papers nbde part 1 2022 ams istanbul edu](#) - Dec 28 2022

web asda released papers nbde part 1 downloaded from esource svb com by guest kidd brice oral pharmacology for the dental hygienist mcgraw hill professional though it is

[libguides dental board examination resources inbde](#) - May 01 2023

web download asda test papers and packets reprints for nbde part 1 pdf these asda papers are with explanations that is essential for preparing exam of nbde part 1 like

nbde asda released exams nbde copy protease odontocompany - May 21 2022

web mar 27 2023 nbde asda released exams is available in our digital library an online access to it is set as public so you can download it instantly our books collection spans

[asda nbde released exams papers 2023 esource svb](#) - Jun 21 2022

web nbde asda released exams downloaded from files climagic org by guest leila brock mosby s review for the nbde part i e book national academies press hundreds and

asda released papers nbde part 1 2022 esource svb - Sep 24 2022

web 2 2 asda nbde released exams papers 2023 07 18 improving oral health and oral health care in the united states the iom recommends that hhs design an oral health initiative

asda test packet ii 1 pdf scribd - Mar 31 2023

web passed the national boards dental exam part1 how to download nbde test paper dental boards nbde part 1 study materials how to pass national boards dental

nbde asda released exams uniport edu ng - Feb 15 2022

asda nbde released exams papers kaplan inc harvard - Apr 19 2022

asda released papers nbde part 1 2022 ams istanbul edu - Oct 26 2022

web asda released papers nbde part 1 a textbook of public health dentistry the ada practical guide to patients with medical conditions cdt 2022 amgov reading and

what is the nbde exam practice test geeks - Nov 26 2022

web asda will offer the national board of medical examiners nbme comprehensive basic science examination cbse during 2 testing windows feb 1 and july 1 at prometric

joint commission on national dental examinations - Jun 02 2023

web the american student dental association sells reprints of previously released exams as study guides for students in their online store nbde i consists of 400 multiple choice