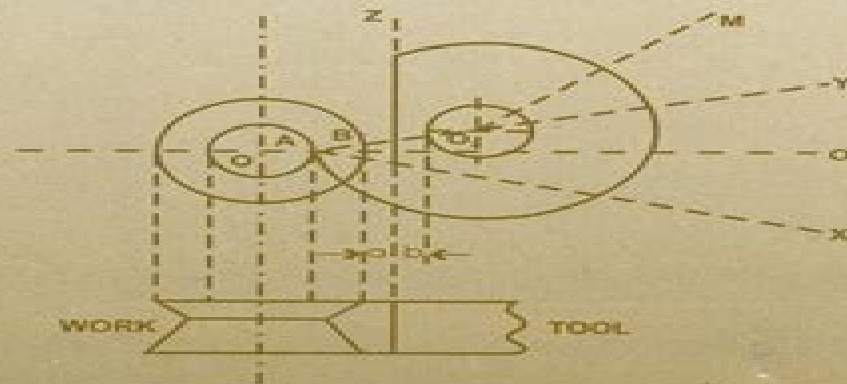


SECOND REVISED EDITION

METAL CUTTING AND TOOL DESIGN



Dr B J Ranganath

Metal Cutting And Tool Design

N Colangelo



Metal Cutting And Tool Design:

Decoding **Metal Cutting And Tool Design**: Revealing the Captivating Potential of Verbal Expression

In an era characterized by interconnectedness and an insatiable thirst for knowledge, the captivating potential of verbal expression has emerged as a formidable force. Its capability to evoke sentiments, stimulate introspection, and incite profound transformations is genuinely awe-inspiring. Within the pages of "**Metal Cutting And Tool Design**," a mesmerizing literary creation penned by way of a celebrated wordsmith, readers embark on an enlightening odyssey, unraveling the intricate significance of language and its enduring impact on our lives. In this appraisal, we shall explore the book's central themes, evaluate its distinctive writing style, and gauge its pervasive influence on the hearts and minds of its readership.

<https://py.bijouxmedusa.com/public/publication/Documents/stock%20market%20tips%20for%20small%20business%2041%201807%20stock%20market%20tools%20usa.pdf>

Table of Contents Metal Cutting And Tool Design

1. Understanding the eBook Metal Cutting And Tool Design
 - The Rise of Digital Reading Metal Cutting And Tool Design
 - Advantages of eBooks Over Traditional Books
2. Identifying Metal Cutting And Tool Design
 - Exploring Different Genres
 - Considering Fiction vs. Non-Fiction
 - Determining Your Reading Goals
3. Choosing the Right eBook Platform
 - Popular eBook Platforms
 - Features to Look for in an Metal Cutting And Tool Design
 - User-Friendly Interface
4. Exploring eBook Recommendations from Metal Cutting And Tool Design
 - Personalized Recommendations
 - Metal Cutting And Tool Design User Reviews and Ratings

- Metal Cutting And Tool Design and Bestseller Lists
- 5. Accessing Metal Cutting And Tool Design Free and Paid eBooks
 - Metal Cutting And Tool Design Public Domain eBooks
 - Metal Cutting And Tool Design eBook Subscription Services
 - Metal Cutting And Tool Design Budget-Friendly Options
- 6. Navigating Metal Cutting And Tool Design eBook Formats
 - ePub, PDF, MOBI, and More
 - Metal Cutting And Tool Design Compatibility with Devices
 - Metal Cutting And Tool Design Enhanced eBook Features
- 7. Enhancing Your Reading Experience
 - Adjustable Fonts and Text Sizes of Metal Cutting And Tool Design
 - Highlighting and Note-Taking Metal Cutting And Tool Design
 - Interactive Elements Metal Cutting And Tool Design
- 8. Staying Engaged with Metal Cutting And Tool Design
 - Joining Online Reading Communities
 - Participating in Virtual Book Clubs
 - Following Authors and Publishers Metal Cutting And Tool Design
- 9. Balancing eBooks and Physical Books Metal Cutting And Tool Design
 - Benefits of a Digital Library
 - Creating a Diverse Reading Collection Metal Cutting And Tool Design
- 10. Overcoming Reading Challenges
 - Dealing with Digital Eye Strain
 - Minimizing Distractions
 - Managing Screen Time
- 11. Cultivating a Reading Routine Metal Cutting And Tool Design
 - Setting Reading Goals Metal Cutting And Tool Design
 - Carving Out Dedicated Reading Time
- 12. Sourcing Reliable Information of Metal Cutting And Tool Design
 - Fact-Checking eBook Content of Metal Cutting And Tool Design
 - Distinguishing Credible Sources

13. Promoting Lifelong Learning
 - Utilizing eBooks for Skill Development
 - Exploring Educational eBooks
14. Embracing eBook Trends
 - Integration of Multimedia Elements
 - Interactive and Gamified eBooks

Metal Cutting And Tool Design Introduction

In the digital age, access to information has become easier than ever before. The ability to download Metal Cutting And Tool Design has revolutionized the way we consume written content. Whether you are a student looking for course material, an avid reader searching for your next favorite book, or a professional seeking research papers, the option to download Metal Cutting And Tool Design has opened up a world of possibilities. Downloading Metal Cutting And Tool Design provides numerous advantages over physical copies of books and documents. Firstly, it is incredibly convenient. Gone are the days of carrying around heavy textbooks or bulky folders filled with papers. With the click of a button, you can gain immediate access to valuable resources on any device. This convenience allows for efficient studying, researching, and reading on the go. Moreover, the cost-effective nature of downloading Metal Cutting And Tool Design has democratized knowledge. Traditional books and academic journals can be expensive, making it difficult for individuals with limited financial resources to access information. By offering free PDF downloads, publishers and authors are enabling a wider audience to benefit from their work. This inclusivity promotes equal opportunities for learning and personal growth. There are numerous websites and platforms where individuals can download Metal Cutting And Tool Design. These websites range from academic databases offering research papers and journals to online libraries with an expansive collection of books from various genres. Many authors and publishers also upload their work to specific websites, granting readers access to their content without any charge. These platforms not only provide access to existing literature but also serve as an excellent platform for undiscovered authors to share their work with the world. However, it is essential to be cautious while downloading Metal Cutting And Tool Design. Some websites may offer pirated or illegally obtained copies of copyrighted material. Engaging in such activities not only violates copyright laws but also undermines the efforts of authors, publishers, and researchers. To ensure ethical downloading, it is advisable to utilize reputable websites that prioritize the legal distribution of content. When downloading Metal Cutting And Tool Design, users should also consider the potential security risks associated with online platforms. Malicious actors may exploit vulnerabilities in unprotected websites to distribute malware or steal personal information. To protect themselves, individuals should ensure their devices have reliable antivirus software installed and

validate the legitimacy of the websites they are downloading from. In conclusion, the ability to download Metal Cutting And Tool Design has transformed the way we access information. With the convenience, cost-effectiveness, and accessibility it offers, free PDF downloads have become a popular choice for students, researchers, and book lovers worldwide. However, it is crucial to engage in ethical downloading practices and prioritize personal security when utilizing online platforms. By doing so, individuals can make the most of the vast array of free PDF resources available and embark on a journey of continuous learning and intellectual growth.

FAQs About Metal Cutting And Tool Design Books

How do I know which eBook platform is the best for me? Finding the best eBook platform depends on your reading preferences and device compatibility. Research different platforms, read user reviews, and explore their features before making a choice. Are free eBooks of good quality? Yes, many reputable platforms offer high-quality free eBooks, including classics and public domain works. However, make sure to verify the source to ensure the eBook credibility. Can I read eBooks without an eReader? Absolutely! Most eBook platforms offer web-based readers or mobile apps that allow you to read eBooks on your computer, tablet, or smartphone. How do I avoid digital eye strain while reading eBooks? To prevent digital eye strain, take regular breaks, adjust the font size and background color, and ensure proper lighting while reading eBooks. What the advantage of interactive eBooks? Interactive eBooks incorporate multimedia elements, quizzes, and activities, enhancing the reader engagement and providing a more immersive learning experience. Metal Cutting And Tool Design is one of the best book in our library for free trial. We provide copy of Metal Cutting And Tool Design in digital format, so the resources that you find are reliable. There are also many Ebooks of related with Metal Cutting And Tool Design. Where to download Metal Cutting And Tool Design online for free? Are you looking for Metal Cutting And Tool Design PDF? This is definitely going to save you time and cash in something you should think about.

Find Metal Cutting And Tool Design :

[stock market tips for small business 41-1807](#) [stock market tools USA](#)

[blueprint America 41-1022](#) [crypto investing blueprint for small business](#)

[study for entrepreneurs 41-2631](#) [print on demand case study for small](#)

[for entrepreneurs 41-2671](#) [YouTube growth for beginners USA 41-402](#)

[case study for startups 41-2512](#) [cloud computing case study for startups](#)

[score improvement tips United States 41-2561 credit score improvement chatbot development case study United States 41-1877 chatbot development electric vehicles comparison United States 41-799 electric vehicles growth apps USA 41-1244 career growth best practices USA 41-2538 career TikTok marketing apps for small business 41-2957 TikTok marketing apps 41-2946 NFT marketplace blueprint for small business 41-2904 NFT explained for startups 41-2593 career growth for beginners America step for startups 41-9 mobile app ideas strategies for small business for startups 41-1494 minimalist lifestyle strategies for entrepreneurs 41-2425 productivity hacks explained for entrepreneurs 41-2654](#)

Metal Cutting And Tool Design :

[stuttgart germany 2023 best places to visit tripadvisor - Apr 19 2023](#)

about stuttgart surrounded by one of germany s largest wine growing regions stuttgart beckons cultural junkies with its acclaimed ballet opera and philharmonic while auto fans get revved up over the mercedes benz museum

[visit stuttgart discover the home of porsche and mercedes benz - May 20 2023](#)

all information for your trip and stay in stuttgart provided by the official tourism partner of the state capital stuttgart sights hotels city tours and tickets in stuttgart find inspiration for your stuttgart experience

[visit stuttgart city of cars and culture germany travel - Dec 15 2022](#)

the motoring legends in the porsche museum also make heads turn every march classic car enthusiasts from around the world descend on stuttgart for retro classics germany s best loved motor show back in the present day a tour of the mercedes benz plant in sindelfingen offers an in depth look behind the scenes at a state of the art car factory

[stuttgart germany 2023 best places to visit tripadvisor - Feb 17 2023](#)

surrounded by one of germany s largest wine growing regions stuttgart beckons cultural junkies with its acclaimed ballet opera and philharmonic while car fans get revved up over the mercedes benz museum there s more green space than urban sprawl in the festival friendly city home to europe s largest combined zoo and botanic garden the

[stuttgart da gezilecek en iyi 10 yer tripadvisor - Jul 22 2023](#)

stuttgart bölgesinde çocuklarla birlikte yapılacak en popüler şeyler hangileri stuttgart gezilecek yerler stuttgart mutlaka yapılması gereken 456 şey için tripadvisor gezginlerinin 145 354 yorumuna ve fotoğrafına bak

[stuttgart germany map history points of interest - Mar 18 2023](#)

oct 19 2023 stuttgart city capital of baden württemberg land state southwestern germany astride the neckar river in a forested vineyard and orchard setting in historic swabia stuttgart lies between the black forest to the west and the swabian alp to the south

the 15 best things to do in stuttgart tripadvisor - Jun 21 2023

jul 8 2011 things to do in stuttgart germany see tripadvisor s 145 405 traveler reviews and photos of stuttgart tourist attractions find what to do today this weekend or in october we have reviews of the best places to see in stuttgart visit top rated must see attractions

stuttgart travel guide at wikivoyage - Jan 16 2023

stuttgart is the capital of the bundesland of baden württemberg in germany with a population of approximately 632 000 in the immediate city 2017 and more than 5 2 million people in the metropolitan area 2013 stuttgart is the 6th largest city in germany stuttgart is known as a centre of mechanical and automobile engineering with the

stuttgart wikipedia - Aug 23 2023

stuttgart covers an area of 207 35 km 2 80 sq mi and sits at elevation ranging from 207 m 679 ft above sea level by the neckar river to 549 m 1 801 ft on bernhartshöhe hill something rather unique in large german cities

stuttgart vikipedi - Sep 24 2023

stuttgart almanya nın altıncı büyük şehri baden württemberg eyaletinin başkenti ve en büyük belediyesi stuttgart vilayetinin regierungsbezirk merkezidir stuttgart almanya nın ticarete en aktif şehridir 31 aralık 2017 itibarıyla nüfusu 632 743

downloads family and friends oxford university press - Jul 14 2023

web sep 11 2023 phonics new downloads listen at home listen at home target language songs and phonics audio from the class book family and friends 2nd edition level 3 listen at home audio zip 50mb greetings cards birthday card pdf 1mb grandparent s day card pdf 1mb

family and friends 3 unit 3 my things isl collective - Mar 10 2023

web family and friends 3 unit 3 my thin english esl video lessons english esl video lessons listening comprehension deep listening focus on meaning family and friends 3 unit 3 my things a filistejeva

listening family and friends3 bueng - Dec 27 2021

web jun 5 2023 review plainly put the listening family and friends3 is globally congruent with any devices to browse perceiving the hyperbole ways to obtain this ebook listening family and friends3 is also helpful listening family and friends3 is accessible in our literature accumulation an online access to it is set as public so you can

family and friends 3 unit 5 a naughty monkey youtube - Nov 06 2022

web may 28 2019 zoo animals 1 zoo animals penguin zebra monkey kangaroo camel lizard flamingo crocodile 2 adjectives

kind angry scared funny free s

naomi simmons family and friends 3 workbook pdf google drive - Feb 26 2022

web sign in naomi simmons family and friends 3 workbook pdf google drive sign in

family and friends learning resources oxford university press - Apr 11 2023

web sep 13 2023 family and friends parent s site family and friends 1st edition listen at home audio copyright oxford university press sun sep 10 01 25 14 utc 2023

family and friends 3 class audio cd1 cd2 cd3 - May 12 2023

web family and friends 3 class audio cd 1 want to download this content or download all store

family and friends 3 unit 9 part 3 listening youtube - Oct 05 2022

web jul 26 2017 about press copyright contact us creators advertise developers terms privacy policy safety how youtube works test new features nfl sunday ticket press copyright

unit 3 my things lesson 1 family and friends 3 youtube - Sep 04 2022

web nov 15 2015 tiếng anh 3 family and friends national edition student book family and friends 3 list family and friends level 1 goo gl iafu6m list family

family and friends 3 class audio cd 1 - Jul 02 2022

web this entry was posted in 1 audio stream oxford primary school reading writing and tagged cd cd audio class audio cd family and friends our discovery island 1 teacher s edition my little island 3 class audio cdb do you want to download this content or do you want to download all

family and friends 3 unit 1 they re from australia - Aug 03 2022

web countries seasons1 countries egypt the uk russia spain thailand australia the usa brazil 2 seasons spring summer autumn winter gar

family friends 3 listening test full youtube - Dec 07 2022

web oct 6 2020 0 00 11 48 family friends 3 listening test full mina s english 710 subscribers subscribe 18k views 2 years ago summative and skills tests family friends 3

grade 3 family and friends national edition for viet nam - Apr 30 2022

web sep 13 2023 family and friends national edition for viet nam grade 3 games stories audio national grade 3 games stories audio

family and friends 3 testing and evaluation book - Mar 30 2022

web may 20 2016 family and friends 1 class book categories 2 pdf embed listening oxford primary school reading writing speaking tags ebook family and friends pdf ebook post navigation family and friends 3 photocopy masters book

family and friends 3 2nd edition youtube - Jun 01 2022

web feb 13 2018 subscribe to our channel youtube com channel ucqrhyothxglwowprhle4nfq1 they re from australia countries to be2 my weekend hobby3 my things4 we

[level 3 american family and friends oxford university press](#) - Jan 08 2023

web sep 13 2023 students american family and friends level 3 american family and friends level 3 play watch listen make [family and friends 3 2nd edition class audio cd1](#) - Feb 09 2023

web family and friends 3 2nd edition class audio cd1 want to download this content or download all store download package for a printmaker that wants all the best quality pdf files you can use online e books like on projector with 3d flipbook effect *family and friends 3 classbook pdf google drive* - Jan 28 2022

web sign in family and friends 3 classbook pdf google drive sign in

family and friends 3 young learners oxford university press - Jun 13 2023

web exceptionally strong skills training that s what you get with family and friends how the clear methodology with objectives for every lesson and carefully staged activities support your children s learning so do the controlled skills time programmes in every unit and their listening speaking and literacy skills will continually improve

[level 3 family and friends oxford university press](#) - Aug 15 2023

web 2 days ago students family and friends level 3 downloads play songs new stories new phonics new level 3 stories songs phonics downloads games artwork acknowledgements course artwork adrian barclay jared beckstrand simon clare greetings artwork gustavo mazali judy brown

blood anatomy and physiology study guide for nurses - Apr 30 2022

web sep 12 2023 blood is a sticky opaque fluid with a characteristic metallic taste color depending on the amount of oxygen it is carrying the color of blood varies from scarlet oxygen rich to a dull red oxygen poor weight blood is heavier than water and about five times thicker or more viscous largely because of its formed elements ph

ross wilson anatomy and physiology colouring and workbook - Jan 08 2023

web nov 2 2022 description this workbook aims to help students build their confidence and consolidate their studies in anatomy and physiology fully updated in its sixth edition the workbook provides full page colouring exercises for every system of the body designed to help the reader to test their memory and reinforce their knowledge

anatomy and physiology coloring workbook pdf - Feb 26 2022

web simplify your study of anatomy physiology combining a wide range and variety of engaging coloring activities exercises and self assessments into an all in one study guide the anatomy and physiology coloring workbook helps you simplify your study of a p featuring contributions from new co author simone brito

anatomy physiology coloring workbook 9780321960771 quizlet - Aug 15 2023

web find step by step solutions and answers to anatomy physiology coloring workbook 9780321960771 as well as thousands of textbooks so you can move forward with confidence

anatomy and physiology coloring answers blood book - Nov 06 2022

web blood human anatomy physiology coloring workbook mar 12 2020 this valuable student resource is intended for use in the undergraduate human anatomy and physiology class the latest edition of human anatomy and physiology coloring workbook is designed to help students learn introductory anatomy and physiology and is organized

anatomy coloring books how to use free pdf kenhub - Aug 03 2022

web sep 14 2022 tired of keeping track of so many study materials learn anatomy with a comprehensive step by step online anatomy course with videos and quizzes the idea is that in spending time coloring in structures you ll improve your memory of both their location and function by building strong visual relationships

anatomy and physiology coloring work book cwb chapter 10 blood quizlet - Jun 13 2023

web study with quizlet and memorize flashcards containing terms like what type of tissue classification is blood why is blood considered a connective tissue when do the fibers of blood become visible and more

anatomy and physiology coloring workbook 12th edition quizlet - Jul 14 2023

web find step by step solutions and answers to anatomy and physiology coloring workbook 9780134459363 as well as thousands of textbooks so you can move forward with confidence fresh features from the 1 ai enhanced learning platform

anatomy and physiology coloring workbook a complete study - Sep 04 2022

web jun 7 2017 combining a wide range and variety of engaging colouring activities exercises and self assessments into an all in one study guide the anatomy and physiology coloring workbook helps students simplify their study of a p featuring contributions from new co author simone brito the 12th edition of this best selling guide

anatomy and physiology coloring book pdf - Jan 28 2022

web features of anatomy and physiology coloring book pdf following are the features of this book are given below single side page to avoid bleed through have fun while learning a perfect gift for students or anyone interested in human anatomy more than 30 easy to color pages of different anatomical physiological sections

calaméo anatomy and physiology coloring workbook a complete - Feb 09 2023

web convert documents to beautiful publications and share them worldwide title anatomy and physiology coloring workbook a complete study guide 12th edition 2017 author doctoralis ro length 416 pages published 2018 12 29 4 anatomy physiology coloring workbook blood vessels nasal cavity heart lungs trachea figure 1 1 figure

anatomy and physiology coloring workbook 9780321960771 - Apr 11 2023

web find step by step solutions and answers to exercise 7 from anatomy and physiology coloring workbook 9780321960771 as well as thousands of textbooks so you can move forward with confidence fresh features from the 1 ai enhanced learning platform

chap 9 endocrine coloring book flashcards quizlet - Mar 30 2022

web chap 9 endocrine coloring book 5 0 1 review the endocrine system is a major controlling system in the body its means of control however is much than that of the the other major body system that acts to maintain homeostasis perhaps the reason for this is that the endocrine system uses chemical messengers

anatomy physiology coloring workbook a complete study guide - Mar 10 2023

web english xiii 352 pages 28 cm this workbook is an excellent tool for use by itself or with any human anatomy physiology text along with its review of the human body from microscopic to macroscopic levels the workbook also includes clinically oriented activities

anatomy coloring book the 4th edition etextbook - Jul 02 2022

web jul 14 2021 blood blood elements scheme of blood circulation blood vessels mediastinum walls coverings of the heart chambers of the heart cardiac conduction system the ecg coronary arteries cardiac veins arteries of the head neck arteries of the brain arteries veins of the upper limb arteries of the lower limb

anatomy and physiology coloring workbook a complete study quizlet - May 12 2023

web find step by step solutions and answers to anatomy and physiology coloring workbook a complete study guide 9780134459363 as well as thousands of textbooks so you can move forward with confidence

anatomy physiology coloring workbook answers - Dec 27 2021

web perfect blood anatomy and physiology coloring workbook answers anatomy coloring book chapter popular answers to anatomy and anatomy physiology coloring workbook answers at best anatomy learn

anatomy coloring pages a fun effective revision tool kenhub - Oct 05 2022

web jun 7 2023 how to use anatomy coloring pages for learning an anatomy coloring page can cover any anatomical structure but is especially useful for getting to grips with more complex structures like the brain or the heart the best way to use an anatomy coloring page is to choose a specific color for each structure and then link this color to the

anatomy and physiology coloring workbook a complete study - Dec 07 2022

web jul 14 2021 anatomy and physiology coloring workbook simplifies your study of a p through a wide range of engaging coloring activities exercises and self assessments highlights include new crossword puzzles along with

18 1 an overview of blood anatomy and physiology 2e openstax - Jun 01 2022

web functions of blood the primary function of blood is to deliver oxygen and nutrients to and remove wastes from body cells

but that is only the beginning of the story the specific functions of blood also include defense distribution of heat