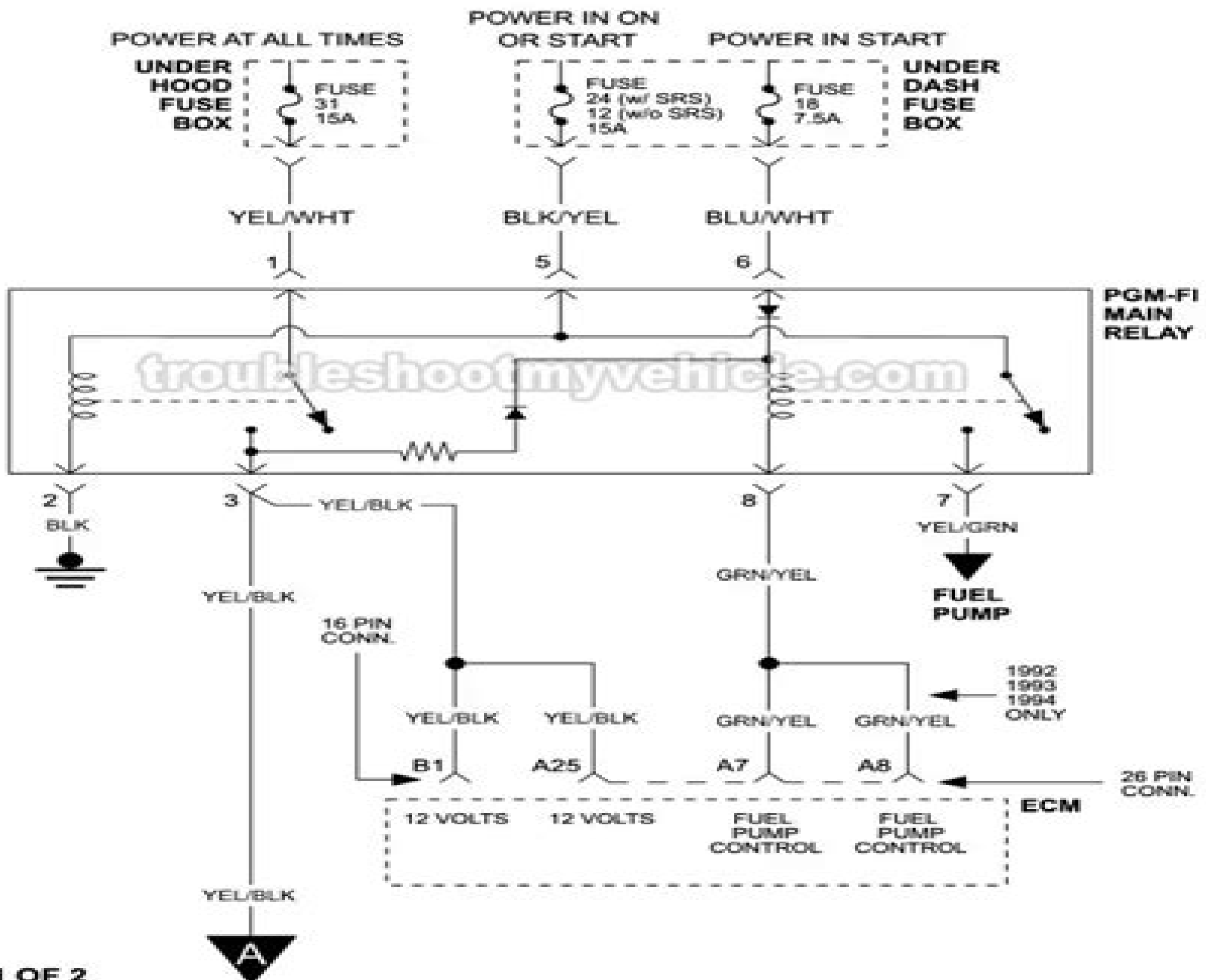


# 1992, 1993, 1994, 1995 1.5L Honda Civic TYPICAL FUEL INJECTOR CIRCUIT DIAGRAM



# 92 Civic Engine Wiring Diagram

**D Keegan**



## **92 Civic Engine Wiring Diagram:**

## Unveiling the Power of Verbal Beauty: An Mental Sojourn through **92 Civic Engine Wiring Diagram**

In some sort of inundated with screens and the cacophony of quick communication, the profound energy and psychological resonance of verbal art often disappear into obscurity, eclipsed by the regular barrage of sound and distractions. Yet, nestled within the musical pages of **92 Civic Engine Wiring Diagram**, a fascinating perform of fictional brilliance that pulses with natural thoughts, lies an remarkable journey waiting to be embarked upon. Published by way of a virtuoso wordsmith, this mesmerizing opus courses readers on an emotional odyssey, softly revealing the latent potential and profound impact stuck within the intricate internet of language. Within the heart-wrenching expanse of this evocative evaluation, we will embark upon an introspective exploration of the book is main subjects, dissect their interesting writing design, and immerse ourselves in the indelible impression it leaves upon the depths of readers souls.

<https://py.bijouxmedusa.com/About/uploaded-files/fetch.php/Tools%20Apps%20For%20Small%20Business%2031%201282%20AI%20Tools%20Best%20Practices%20USA%2031%20199.pdf>

### **Table of Contents 92 Civic Engine Wiring Diagram**

1. Understanding the eBook 92 Civic Engine Wiring Diagram
  - The Rise of Digital Reading 92 Civic Engine Wiring Diagram
  - Advantages of eBooks Over Traditional Books
2. Identifying 92 Civic Engine Wiring Diagram
  - Exploring Different Genres
  - Considering Fiction vs. Non-Fiction
  - Determining Your Reading Goals
3. Choosing the Right eBook Platform
  - Popular eBook Platforms
  - Features to Look for in an 92 Civic Engine Wiring Diagram
  - User-Friendly Interface
4. Exploring eBook Recommendations from 92 Civic Engine Wiring Diagram

- Personalized Recommendations
  - 92 Civic Engine Wiring Diagram User Reviews and Ratings
  - 92 Civic Engine Wiring Diagram and Bestseller Lists
5. Accessing 92 Civic Engine Wiring Diagram Free and Paid eBooks
    - 92 Civic Engine Wiring Diagram Public Domain eBooks
    - 92 Civic Engine Wiring Diagram eBook Subscription Services
    - 92 Civic Engine Wiring Diagram Budget-Friendly Options
  6. Navigating 92 Civic Engine Wiring Diagram eBook Formats
    - ePub, PDF, MOBI, and More
    - 92 Civic Engine Wiring Diagram Compatibility with Devices
    - 92 Civic Engine Wiring Diagram Enhanced eBook Features
  7. Enhancing Your Reading Experience
    - Adjustable Fonts and Text Sizes of 92 Civic Engine Wiring Diagram
    - Highlighting and Note-Taking 92 Civic Engine Wiring Diagram
    - Interactive Elements 92 Civic Engine Wiring Diagram
  8. Staying Engaged with 92 Civic Engine Wiring Diagram
    - Joining Online Reading Communities
    - Participating in Virtual Book Clubs
    - Following Authors and Publishers 92 Civic Engine Wiring Diagram
  9. Balancing eBooks and Physical Books 92 Civic Engine Wiring Diagram
    - Benefits of a Digital Library
    - Creating a Diverse Reading Collection 92 Civic Engine Wiring Diagram
  10. Overcoming Reading Challenges
    - Dealing with Digital Eye Strain
    - Minimizing Distractions
    - Managing Screen Time
  11. Cultivating a Reading Routine 92 Civic Engine Wiring Diagram
    - Setting Reading Goals 92 Civic Engine Wiring Diagram
    - Carving Out Dedicated Reading Time
  12. Sourcing Reliable Information of 92 Civic Engine Wiring Diagram

- Fact-Checking eBook Content of 92 Civic Engine Wiring Diagram
  - Distinguishing Credible Sources
13. Promoting Lifelong Learning
- Utilizing eBooks for Skill Development
  - Exploring Educational eBooks
14. Embracing eBook Trends
- Integration of Multimedia Elements
  - Interactive and Gamified eBooks

### **92 Civic Engine Wiring Diagram Introduction**

In the digital age, access to information has become easier than ever before. The ability to download 92 Civic Engine Wiring Diagram has revolutionized the way we consume written content. Whether you are a student looking for course material, an avid reader searching for your next favorite book, or a professional seeking research papers, the option to download 92 Civic Engine Wiring Diagram has opened up a world of possibilities. Downloading 92 Civic Engine Wiring Diagram provides numerous advantages over physical copies of books and documents. Firstly, it is incredibly convenient. Gone are the days of carrying around heavy textbooks or bulky folders filled with papers. With the click of a button, you can gain immediate access to valuable resources on any device. This convenience allows for efficient studying, researching, and reading on the go. Moreover, the cost-effective nature of downloading 92 Civic Engine Wiring Diagram has democratized knowledge. Traditional books and academic journals can be expensive, making it difficult for individuals with limited financial resources to access information. By offering free PDF downloads, publishers and authors are enabling a wider audience to benefit from their work. This inclusivity promotes equal opportunities for learning and personal growth. There are numerous websites and platforms where individuals can download 92 Civic Engine Wiring Diagram. These websites range from academic databases offering research papers and journals to online libraries with an expansive collection of books from various genres. Many authors and publishers also upload their work to specific websites, granting readers access to their content without any charge. These platforms not only provide access to existing literature but also serve as an excellent platform for undiscovered authors to share their work with the world. However, it is essential to be cautious while downloading 92 Civic Engine Wiring Diagram. Some websites may offer pirated or illegally obtained copies of copyrighted material. Engaging in such activities not only violates copyright laws but also undermines the efforts of authors, publishers, and researchers. To ensure ethical downloading, it is advisable to utilize reputable websites that prioritize the legal distribution of content. When downloading 92 Civic Engine Wiring Diagram, users should also consider the potential security risks associated with online

platforms. Malicious actors may exploit vulnerabilities in unprotected websites to distribute malware or steal personal information. To protect themselves, individuals should ensure their devices have reliable antivirus software installed and validate the legitimacy of the websites they are downloading from. In conclusion, the ability to download 92 Civic Engine Wiring Diagram has transformed the way we access information. With the convenience, cost-effectiveness, and accessibility it offers, free PDF downloads have become a popular choice for students, researchers, and book lovers worldwide. However, it is crucial to engage in ethical downloading practices and prioritize personal security when utilizing online platforms. By doing so, individuals can make the most of the vast array of free PDF resources available and embark on a journey of continuous learning and intellectual growth.

### FAQs About 92 Civic Engine Wiring Diagram Books

1. Where can I buy 92 Civic Engine Wiring Diagram books? Bookstores: Physical bookstores like Barnes & Noble, Waterstones, and independent local stores. Online Retailers: Amazon, Book Depository, and various online bookstores offer a wide range of books in physical and digital formats.
2. What are the different book formats available? Hardcover: Sturdy and durable, usually more expensive. Paperback: Cheaper, lighter, and more portable than hardcovers. E-books: Digital books available for e-readers like Kindle or software like Apple Books, Kindle, and Google Play Books.
3. How do I choose a 92 Civic Engine Wiring Diagram book to read? Genres: Consider the genre you enjoy (fiction, non-fiction, mystery, sci-fi, etc.). Recommendations: Ask friends, join book clubs, or explore online reviews and recommendations. Author: If you like a particular author, you might enjoy more of their work.
4. How do I take care of 92 Civic Engine Wiring Diagram books? Storage: Keep them away from direct sunlight and in a dry environment. Handling: Avoid folding pages, use bookmarks, and handle them with clean hands. Cleaning: Gently dust the covers and pages occasionally.
5. Can I borrow books without buying them? Public Libraries: Local libraries offer a wide range of books for borrowing. Book Swaps: Community book exchanges or online platforms where people exchange books.
6. How can I track my reading progress or manage my book collection? Book Tracking Apps: Goodreads, LibraryThing, and Book Catalogue are popular apps for tracking your reading progress and managing book collections. Spreadsheets: You can create your own spreadsheet to track books read, ratings, and other details.
7. What are 92 Civic Engine Wiring Diagram audiobooks, and where can I find them? Audiobooks: Audio recordings of

- books, perfect for listening while commuting or multitasking. Platforms: Audible, LibriVox, and Google Play Books offer a wide selection of audiobooks.
8. How do I support authors or the book industry? Buy Books: Purchase books from authors or independent bookstores. Reviews: Leave reviews on platforms like Goodreads or Amazon. Promotion: Share your favorite books on social media or recommend them to friends.
  9. Are there book clubs or reading communities I can join? Local Clubs: Check for local book clubs in libraries or community centers. Online Communities: Platforms like Goodreads have virtual book clubs and discussion groups.
  10. Can I read 92 Civic Engine Wiring Diagram books for free? Public Domain Books: Many classic books are available for free as they're in the public domain. Free E-books: Some websites offer free e-books legally, like Project Gutenberg or Open Library.

### Find 92 Civic Engine Wiring Diagram :

~~tools apps for small business 31-1282 AI tools best practices USA 31-199~~  
**small business 31-1014 wearable technology step by step America 31-2770**  
~~ecommerce trends case study for creators 31-186 ecommerce trends case~~  
~~States 31-2400 cybersecurity step by step America 31-2579 cybersecurity~~  
~~small business 31-2435 affiliate marketing tools United States 31-122~~  
**small business 31-2365 small business ideas tools America 31-2076 small**  
**for startups 31-2080 print on demand apps America 31-2269 print on**  
**checklist USA 31-26 retirement planning checklist United States 31-1745**  
**comparison America 31-2763 ecommerce trends comparison America 31-974**  
**States 31-2845 AI tools trends for small business 31-1047 AI tools**  
~~America 31-918 self improvement trends United States 31-1833 self~~  
**side hustles examples America 31-2239 side hustles examples for small**  
**print on demand comparison USA 31-795 print on demand comparison for**  
~~roadmap for entrepreneurs 31-1730 machine learning basics roadmap for~~  
~~comparison for small business 31-2513 business automation comparison for~~

**92 Civic Engine Wiring Diagram :**

Ashworth College Semester Exam Answer Sheet Please ... Ashworth College Semester Exam Answer Sheet Please return to Ashworth College from MANAGMENT 321 at Integral University. Ashworth Colege (Ashworth) Ashworth College students can get immediate homework help and access over 89000+ documents, study resources, practice tests, essays, notes and more. Ashworth College Semester Exam by Tutorsof Jan 23, 2023 — All exams are passed. So, you can simply use these answers without hesitation. Answer of Semester Exams of various subjects are listed below:. What Happens if You Fail an Exam? Oct 12, 2023 — For semester exams, the minimum passing score is 70%. If all sections aren't passed, you may retake the failed section once. The retake is 36 ... Ashworth College Exam homework help Search our homework answers. The answer you are looking for might already be there. Ashworth College Semester Examinations Jun 1, 2023 — Through this book, I aim to provide you with questions and reliable sources of answers that you can use in the exam. I am just a collector of ... Ashworth college semester exam answers: Fill out & sign ... Handling paperwork with our extensive and intuitive PDF editor is easy. Make the steps below to complete Ashworth proctor online quickly and easily:. Ashworth College Homework Help & Answers Get Ashworth College help — Post your Ashworth College homework questions and get answers from qualified tutors. · Ask a Question · TOP ASHWORTH COLLEGE QUESTIONS. How Do Proctored Exams Work? Feb 17, 2022 — A proctor exam is an online test overseen by a teacher, friend, or other approved proctor. Learn how to choose a proctor and how proctored ... Ashworth College Community: Message List Semester exams are proctored, timed, and scheduled at the convenience of the proctor and student. Students may use their textbooks, printed course materials, ... Marketing Estrategico - 3b: Edicion (Spanish Edition) Marketing Estrategico - 3b: Edicion (Spanish Edition) ; US\$16.99 ; Seguridad del juguete. Nuestra edad recomendada: ; Idioma, Español ; ISBN-10, 8448116119 ; ISBN- ... Marketing estratégico y operativo (Spanish Edition) ... McGraw-Hill Interamericana Editores S.A. de C.V.; 2nd edición (11 Mayo 2009). Idioma, Español. Tapa blanda, 620 páginas. ISBN-10, 970106710X. ISBN-13, 978 ... Marketing Estrategico Lambin Mcgraw Hill 3ra Edicion Pdf Page 1. Marketing Estrategico Lambin Mcgraw Hill 3ra. Edicion Pdf. INTRODUCTION Marketing Estrategico Lambin Mcgraw Hill. 3ra Edicion Pdf [PDF] marketing estrategico. 3 edicion MARKETING ESTRATEGICO. 3 EDICION. LAMBIN, JEAN JACQUES. 45,95 €. IVA incluido. No disponible Pregúntanos antes de pagar. Editorial: MCGRAW-HILL; Materia ... Libro-Marketing-Estrategico-lambin-jean-jacques MARKETING ESTRATÉGICO -OBJETIVO.-un análisis sistemático y permanente de las necesidades del mercado y el desarrollo de conceptos de productos rentables ... Marketing Estrategico Lambin Mcgraw Hill 3ra Edicion Diagnóstico del marketing del producto Golf en la instalación ... - Gestipolis. Planificación Estratégica de Marketing para un negocio - Gestipolis. MARKETING ESTRATEGICO 3ª ED - JEAN JACQUES ... Jean Jacques Lambin. Editorial, McGraw-Hill Interamericana de España S.L.. Edición, 1. ed.(01/07/1995). Páginas, 608. Dimensiones, 24x17 cm. Idioma, Español. MARKETING ESTRATEGICO | JEAN JACQUES LAMBIN Sinopsis de MARKETING ESTRATEGICO

; Encuadernación: Tapa blanda ; ISBN: 9788473563529 ; Año de edición: 2003 ; Plaza de edición: ESPAÑA ; Fecha de lanzamiento: 07/10 ... Marketing estratégico Madrid: McGraw-Hill, 1995; Edición: 3a. ed. Notas: -- Edición traducida por Salvador Miquel y Antonio Carlos Cuenca. Revisado por Jaime Rivera y Nora Lado ... Smallwood's Piano Tutor: The Best of All Tutors (Faber ... This is an excellent piano instruction book which systematically goes through all the keys providing technical exercises, short pieces, scales, duets, music ... Smallwood's Piano Tutor Smallwood's Piano Tutor starts by introducing beginner players to the very basics of musical theory: measures, names of notes, clefs, time, etc. Smallwood's Pianoforte Tutor by William Smallwood Aug 27, 2021 — A piano tutor written by William Smallwood in 1880 which is still in print today. Smallwood's Piano Tutor: The Best of All Tutors Smallwood's Piano Tutor starts by introducing beginner players to the very basics of musical theory: measures, names of notes, clefs, time, etc. Free Smallwood's Piano Tutor PDF Download - Pinterest Feb 13, 2020 — pdf), Text File (.txt) or read online for free. This book is a collection of AWESOME chords and voicings for piano players. These chords are ... Smallwood's Piano Tutor [Alf:12-057152768X] The player is then guided through elementary daily exercises and eventually introduced to major and minor scales with complimentary short pieces which makes use ... Smallwoods | PDF i ' B a a 'i ED William Smaliwood's Pianoforte Tutor Musical sounds are explained by characters called notes, which are named after the first seven letters ... DOWNLOAD in [PDF] Smallwood's Piano Tutor ... - YUMPU pdf download Smallwood's Piano Tutor (Faber Edition) read Smallwood's Piano Tutor (Faber Edition) best seller Smallwood's Piano Tutor.