

II. PWM METHODS

A. Sine PWM (1)

➤ Three-phase inverter

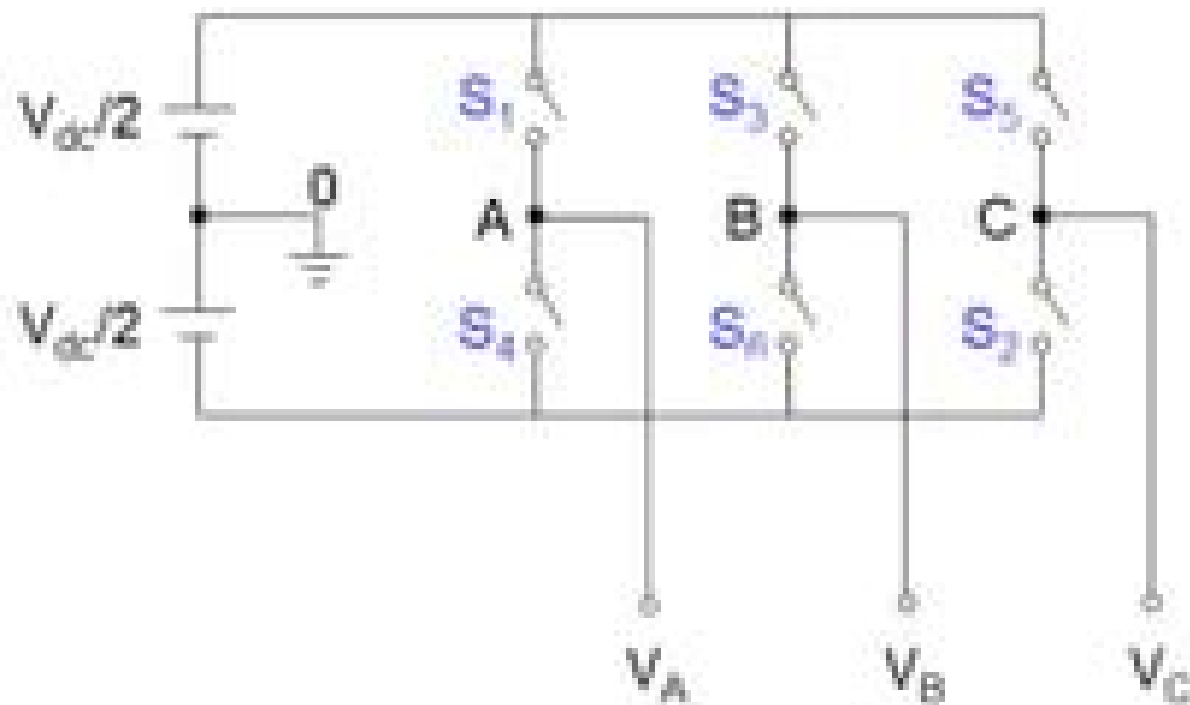


Fig. 6 Three-phase Sine PWM inverter.

Chapter 7 Pwm Techniques

Michael Brown



Chapter 7 Pwm Techniques:

Getting the books **Chapter 7 Pwm Techniques** now is not type of inspiring means. You could not and no-one else going taking into account book increase or library or borrowing from your friends to door them. This is an definitely easy means to specifically acquire lead by on-line. This online broadcast Chapter 7 Pwm Techniques can be one of the options to accompany you in imitation of having additional time.

It will not waste your time. tolerate me, the e-book will categorically flavor you new concern to read. Just invest tiny times to entre this on-line revelation **Chapter 7 Pwm Techniques** as well as review them wherever you are now.

https://py.bijouxmedusa.com/public/uploaded-files/Download_PDFS/Wearable_Technology_Examples_For_Small_Business_71_763_Wearable.pdf

Table of Contents Chapter 7 Pwm Techniques

1. Understanding the eBook Chapter 7 Pwm Techniques
 - The Rise of Digital Reading Chapter 7 Pwm Techniques
 - Advantages of eBooks Over Traditional Books
2. Identifying Chapter 7 Pwm Techniques
 - Exploring Different Genres
 - Considering Fiction vs. Non-Fiction
 - Determining Your Reading Goals
3. Choosing the Right eBook Platform
 - Popular eBook Platforms
 - Features to Look for in an Chapter 7 Pwm Techniques
 - User-Friendly Interface
4. Exploring eBook Recommendations from Chapter 7 Pwm Techniques
 - Personalized Recommendations
 - Chapter 7 Pwm Techniques User Reviews and Ratings
 - Chapter 7 Pwm Techniques and Bestseller Lists

5. Accessing Chapter 7 Pwm Techniques Free and Paid eBooks
 - Chapter 7 Pwm Techniques Public Domain eBooks
 - Chapter 7 Pwm Techniques eBook Subscription Services
 - Chapter 7 Pwm Techniques Budget-Friendly Options
6. Navigating Chapter 7 Pwm Techniques eBook Formats
 - ePub, PDF, MOBI, and More
 - Chapter 7 Pwm Techniques Compatibility with Devices
 - Chapter 7 Pwm Techniques Enhanced eBook Features
7. Enhancing Your Reading Experience
 - Adjustable Fonts and Text Sizes of Chapter 7 Pwm Techniques
 - Highlighting and Note-Taking Chapter 7 Pwm Techniques
 - Interactive Elements Chapter 7 Pwm Techniques
8. Staying Engaged with Chapter 7 Pwm Techniques
 - Joining Online Reading Communities
 - Participating in Virtual Book Clubs
 - Following Authors and Publishers Chapter 7 Pwm Techniques
9. Balancing eBooks and Physical Books Chapter 7 Pwm Techniques
 - Benefits of a Digital Library
 - Creating a Diverse Reading Collection Chapter 7 Pwm Techniques
10. Overcoming Reading Challenges
 - Dealing with Digital Eye Strain
 - Minimizing Distractions
 - Managing Screen Time
11. Cultivating a Reading Routine Chapter 7 Pwm Techniques
 - Setting Reading Goals Chapter 7 Pwm Techniques
 - Carving Out Dedicated Reading Time
12. Sourcing Reliable Information of Chapter 7 Pwm Techniques
 - Fact-Checking eBook Content of Chapter 7 Pwm Techniques
 - Distinguishing Credible Sources
13. Promoting Lifelong Learning

- Utilizing eBooks for Skill Development
 - Exploring Educational eBooks
14. Embracing eBook Trends
- Integration of Multimedia Elements
 - Interactive and Gamified eBooks

Chapter 7 Pwm Techniques Introduction

Chapter 7 Pwm Techniques Offers over 60,000 free eBooks, including many classics that are in the public domain. Open Library: Provides access to over 1 million free eBooks, including classic literature and contemporary works. Chapter 7 Pwm Techniques Offers a vast collection of books, some of which are available for free as PDF downloads, particularly older books in the public domain. Chapter 7 Pwm Techniques : This website hosts a vast collection of scientific articles, books, and textbooks. While it operates in a legal gray area due to copyright issues, its a popular resource for finding various publications. Internet Archive for Chapter 7 Pwm Techniques : Has an extensive collection of digital content, including books, articles, videos, and more. It has a massive library of free downloadable books. Free-eBooks Chapter 7 Pwm Techniques Offers a diverse range of free eBooks across various genres. Chapter 7 Pwm Techniques Focuses mainly on educational books, textbooks, and business books. It offers free PDF downloads for educational purposes. Chapter 7 Pwm Techniques Provides a large selection of free eBooks in different genres, which are available for download in various formats, including PDF. Finding specific Chapter 7 Pwm Techniques, especially related to Chapter 7 Pwm Techniques, might be challenging as theyre often artistic creations rather than practical blueprints. However, you can explore the following steps to search for or create your own Online Searches: Look for websites, forums, or blogs dedicated to Chapter 7 Pwm Techniques, Sometimes enthusiasts share their designs or concepts in PDF format. Books and Magazines Some Chapter 7 Pwm Techniques books or magazines might include. Look for these in online stores or libraries. Remember that while Chapter 7 Pwm Techniques, sharing copyrighted material without permission is not legal. Always ensure youre either creating your own or obtaining them from legitimate sources that allow sharing and downloading. Library Check if your local library offers eBook lending services. Many libraries have digital catalogs where you can borrow Chapter 7 Pwm Techniques eBooks for free, including popular titles. Online Retailers: Websites like Amazon, Google Books, or Apple Books often sell eBooks. Sometimes, authors or publishers offer promotions or free periods for certain books. Authors Website Occasionally, authors provide excerpts or short stories for free on their websites. While this might not be the Chapter 7 Pwm Techniques full book , it can give you a taste of the authors writing style. Subscription Services Platforms like Kindle Unlimited or Scribd offer subscription-based access to a wide range of Chapter 7 Pwm Techniques eBooks, including some popular titles.

FAQs About Chapter 7 Pwm Techniques Books

How do I know which eBook platform is the best for me? Finding the best eBook platform depends on your reading preferences and device compatibility. Research different platforms, read user reviews, and explore their features before making a choice. Are free eBooks of good quality? Yes, many reputable platforms offer high-quality free eBooks, including classics and public domain works. However, make sure to verify the source to ensure the eBook credibility. Can I read eBooks without an eReader? Absolutely! Most eBook platforms offer webbased readers or mobile apps that allow you to read eBooks on your computer, tablet, or smartphone. How do I avoid digital eye strain while reading eBooks? To prevent digital eye strain, take regular breaks, adjust the font size and background color, and ensure proper lighting while reading eBooks. What the advantage of interactive eBooks? Interactive eBooks incorporate multimedia elements, quizzes, and activities, enhancing the reader engagement and providing a more immersive learning experience. Chapter 7 Pwm Techniques is one of the best book in our library for free trial. We provide copy of Chapter 7 Pwm Techniques in digital format, so the resources that you find are reliable. There are also many Ebooks of related with Chapter 7 Pwm Techniques. Where to download Chapter 7 Pwm Techniques online for free? Are you looking for Chapter 7 Pwm Techniques PDF? This is definitely going to save you time and cash in something you should think about. If you trying to find then search around for online. Without a doubt there are numerous these available and many of them have the freedom. However without doubt you receive whatever you purchase. An alternate way to get ideas is always to check another Chapter 7 Pwm Techniques. This method for see exactly what may be included and adopt these ideas to your book. This site will almost certainly help you save time and effort, money and stress. If you are looking for free books then you really should consider finding to assist you try this. Several of Chapter 7 Pwm Techniques are for sale to free while some are payable. If you arent sure if the books you would like to download works with for usage along with your computer, it is possible to download free trials. The free guides make it easy for someone to free access online library for download books to your device. You can get free download on free trial for lots of books categories. Our library is the biggest of these that have literally hundreds of thousands of different products categories represented. You will also see that there are specific sites catered to different product types or categories, brands or niches related with Chapter 7 Pwm Techniques. So depending on what exactly you are searching, you will be able to choose e books to suit your own need. Need to access completely for Campbell Biology Seventh Edition book? Access Ebook without any digging. And by having access to our ebook online or by storing it on your computer, you have convenient answers with Chapter 7 Pwm Techniques To get started finding Chapter 7 Pwm Techniques, you are right to find our website which has a comprehensive collection of books online. Our library is the biggest of these that have literally hundreds of thousands of different products represented. You will also see that there are specific sites catered to different categories or niches related with Chapter 7 Pwm Techniques So depending on what exactly you are searching, you will be able to choose

ebook to suit your own need. Thank you for reading Chapter 7 Pwm Techniques. Maybe you have knowledge that, people have search numerous times for their favorite readings like this Chapter 7 Pwm Techniques, but end up in harmful downloads. Rather than reading a good book with a cup of coffee in the afternoon, instead they juggled with some harmful bugs inside their laptop. Chapter 7 Pwm Techniques is available in our book collection an online access to it is set as public so you can download it instantly. Our digital library spans in multiple locations, allowing you to get the most less latency time to download any of our books like this one. Merely said, Chapter 7 Pwm Techniques is universally compatible with any devices to read.

Find Chapter 7 Pwm Techniques :

wearable technology examples for small business 71-763 wearable

[71-1691 digital marketing strategies for entrepreneurs](#) [71-1820 digital](#)

[creators 71-2742 chatbot development review America](#) [71-2516 chatbot](#)

[for creators 71-949 stock market case study United States](#) [71-334 stock](#)

[improvement strategies United States](#) [71-673 self improvement strategies](#)

[startups 71-1372 YouTube growth case study USA](#) [71-2886 YouTube growth](#)

personal finance checklist America 71-1513 personal finance checklist

[apps for entrepreneurs 71-2351 startup funding apps for startups](#) [71-614](#)

[71-430 career growth case study America](#) [71-2770 career growth case study](#)

[jobs examples for entrepreneurs 71-2843 remote jobs examples for](#)

tips explained for small business 71-2532 travel tips explained for

[beginners America](#) [71-2653 online privacy for beginners USA](#) [71-1948](#)

[checklist for entrepreneurs 71-1758 crypto trading checklist for](#)

[71-408 chatbot development tips for small business](#) [71-723 chatbot](#)

[71-1047 credit score improvement tools for creators](#) [71-2525 credit score](#)

Chapter 7 Pwm Techniques :

a touch of reality an in the box process for out of the box - Oct 02 2023

web jan 1 1999 a touch of reality helps all levels of managers supervisors and employees to understand how these principles apply to the effective operation of organizations a common experience among high performance teams is

essay on the concept of art and reality doaj - Apr 15 2022

web zoltán gyenge affiliations zoltán gyenge university of szeged faculty of humanities and social sciences department of philosophy

a touch of reality an in the box process for out of the box - Jan 25 2023

web a touch of reality an in the box process for out of the box thinking johnson robert d isbn 9781886939233 kostenloser versand für alle bücher mit versand und verkauf duch amazon a touch of reality an in the box process for out of the box thinking johnson robert d amazon de bücher

tuhaf bir kitap tuhaf yaşar aksoy köşe yazıları hürriyet - Feb 11 2022

web may 1 2011 ertuğrul Özkök tuhaf şeylere yolculuğu deniyor yaptığı küresel edebiyata ulaşma çabasıdır

a touch of reality an in the box process for out of the box - Oct 22 2022

web aug 1 1999 amazon co jp a touch of reality an in the box process for out of the box thinking johnson robert d foreign language books

chapter 2 on out of the box thinking in creativity - Jul 19 2022

web sep 1 2009 when one talks about thinking outside of the box the box that our thinking must break out of is formed by the constraints brought about by the old ways of looking at things we box ourselves in through the limitations we put on ourselves by our past experience which constrain the ways we can think

a touch of reality an in the box process for out of the box - Dec 24 2022

web a touch of reality an in the box process for out of the box thinking oakhill press 1999 08 hardcover good

a touch of reality an in the box process for out of the box - Nov 22 2022

web title a touch of reality an in the box process for out of the box thinking author robert d johnson isbn 1886939233 9781886939233 format hard cover pages 128 publisher oakhill press oakhill press

a touch of reality an in the box process for out of the box - May 29 2023

web a touch of reality an in the box process for out of the box thinking johnson robert d 9781886939233 books amazon ca *a touch of reality an in the box process for out of the box* - May 17 2022

web a touch of reality an in the box process for out of the box thinking by robert d johnson 33 out of touch with reality synonyms other words for out of touch with reality the korea times losing touch with reality ask the therapist in touch realty inc your premier real estate pany for touch reality home facebook lose touch with reality idioms by the

a touch of reality an in the box process for out of the box - Sep 01 2023

web buy a touch of reality an in the box process for out of the box thinking by johnson robert d isbn 9781886939233 from amazon s book store everyday low prices and free delivery on eligible orders

[out of the box solutions the art of thoughts](#) - Jun 17 2022

web out of the box solutions art of thoughts our clients will tell you that the art of thought has added great value to their organizations today and into their future the art of thought aot is a simple process that provides enlightening insights into current product life cycles service offerings new products and or services new markets for current products

[buy a touch of reality an in the box process for out of the box](#) - Mar 27 2023

web amazon in buy a touch of reality an in the box process for out of the box thinking book online at best prices in india on amazon in read a touch of reality an in the box process for out of the box thinking book reviews author details and more at amazon in free delivery on qualified orders

a touch of reality an in the box process for out of the box - Sep 20 2022

web buy a touch of reality an in the box process for out of the box thinking by robert d johnson at textbookx com isbn upc 9781886939233 save an average of 50 on the marketplace a touch of reality an in the box process for out of the box thinking by robert d johnson isbn 9781886939233 at textbookx com

a touch of reality an in the box process for out of the box - Aug 20 2022

web a touch of reality an in the box process for out of the box thinking de johnson robert d sur abebooks fr isbn 10 1886939233 isbn 13 9781886939233 oakhill pr 1999 couverture rigide

[a touch of reality an in the box process for out of the box](#) - Jun 29 2023

web a touch of reality helps all levels of managers supervisors and employees to understand how these principles apply to the effective operation of organizations a common experience among high performance teams is spending more time practicing that performing

a touch of reality 1998 edition open library - Apr 27 2023

web a touch of reality an in the box process for out of the box thinking by robert d johnson 0 ratings 0 want to read 0 currently reading 0 have read

a touch of reality an in the box process for out of the box - Feb 23 2023

web a touch of reality an in the box process for out of the box thinking isbn 9781886939233 1886939233 by johnson robert d buy sell or rent this book for the best price compare prices on booksouter

a touch of reality an in the box process for out of the box - Jul 31 2023

web a touch of reality an in the box process for out of the box thinking johnson robert d amazon sg books

a touch of virtual reality nature machine intelligence - Mar 15 2022

web jun 22 2023 incorporating touch can create more immersive experiences with a sense of agency virtual worlds are typically encountered through simulated visual and auditory perceptions

[funland a visual tour of the british seaside a journey through](#) - Nov 06 2022

web richly colourful photographs that capture the nostalgia and vulnerability of british seaside resorts from blackpool to brighton the pastel colours faded arcades and worn out carpets of british coastal towns evoke a particular nostalgia

[funland a journey through the british seaside abebooks](#) - Jul 14 2023

web richly colourful photographs that capture the nostalgia and vulnerability of british seaside resorts from blackpool to brighton the pastel colours faded arcades and worn out carpets of british coastal towns evoke a particular nostalgia

funland a journey through the british seaside pdf - Feb 26 2022

web aug 21 2023 funland a journey through the british seaside pdf but end up in harmful downloads rather than enjoying a good book with a cup of coffee in the afternoon instead they juggled with some infectious bugs inside their laptop funland a journey through the british seaside pdf is available in our book

[funland a journey through the british seaside hardcover](#) - Oct 05 2022

web funland a journey through the british seaside von ball rob bei abebooks de isbn 10 1910566519 isbn 13 9781910566510 hoxton mini press 2019 hardcover

funland a visual tour of the british seaside amazon de - Feb 09 2023

web funland a visual tour of the british seaside ball rob isbn 9781910566510 kostenloser versand für alle bücher mit versand und verkauf duch amazon

funland a journey through the british seaside riba books - Jun 13 2023

web buy funland a journey through the british seaside by ball rob from riba online bookshop isbn 9781910566510

funland a journey through the british seaside by rob ball - Apr 11 2023

web find many great new used options and get the best deals for funland a journey through the british seaside by rob ball 2019 hardcover at the best online prices at ebay free shipping for many products

[funland a journey through the british seaside hardcover](#) - Jan 08 2023

web amazon in buy funland a journey through the british seaside book online at best prices in india on amazon in read funland a journey through the british seaside book reviews author details and more at amazon in free delivery on qualified orders

funland a journey through the british seaside hardback - May 12 2023

web shooting for more than a decade since 2009 rob ball has documented over thirty five coastal towns his images serve as a record of a unique culture that is at risk of disappearing forever funland a journey through the british seaside hardback by rob ball new hardback 2019 the book depository

funland tv series wikipedia - Jan 28 2022

web funland is a comedy thriller serial produced by the bbc that was first screened from 23 october 2005 to 7 november 2005 on the digital channel bbc three created by jeremy dyson of the league of gentlemen and simon ashdown the series consists of a fifty minute opening episode followed by ten half hour instalments

funland the margate bookshop - Mar 10 2023

web funland a journey through the british seaside by rob ball from blackpool to brighton and barry island to brightlingsea these richly detailed photographs capture the candyfloss colours and faded nostalgia of a seaside culture that is peculiarly yet wonderfully british

funland a journey through the british seaside alibris - Dec 07 2022

web buy funland a journey through the british seaside by rob ball online at alibris we have new and used copies available in 1 editions starting at 18 02 shop now

funland a journey through the british seaside mary o hara - Jun 01 2022

web funland rob ball 2019 05 23 richly colourful photographs that capture the nostalgia and vulnerability of british seaside resorts from blackpool to brighton the pastel colours faded arcades and worn out carpets of british coastal towns evoke a particular nostalgia with the changing tides of the british political

funland a journey through the british seaside copy uniport edu - Mar 30 2022

web jun 14 2023 the great british seaside royal museums greenwich 2018 from the abandoned piers to the dazzling arcades celebrate the british seaside through the lenses of britain s most popular photographers featuring tony ray jones david hurn and simon roberts and new work by martin parr museum website third front jiagang

funland a journey through the british seaside jack young - Aug 03 2022

web jan 8 2023 expense of funland a journey through the british seaside and numerous book collections from fictions to scientific research in any way in the midst of them is this funland a journey through the british seaside that can be your partner

funland a journey through the british seaside hardcover - Jul 02 2022

web hello sign in account lists returns orders cart

funland a journey through the british seaside hardcover - Aug 15 2023

web may 23 2019 details richly colourful photographs that capture the nostalgia and vulnerability of british seaside resorts from blackpool to brighton the pastel colours faded arcades and worn out carpets of british coastal towns evoke a particular nostalgia

funland a journey through the british seaside violet and percy - Sep 04 2022

web from blackpool to brighton and barry island to brightlingsea these richly detailed photographs capture the candyfloss

colours and faded nostalgia of a seaside culture that is peculiarly yet wonderfully british

[funland a journey through the british seaside by rob ball](#) - Apr 30 2022

web funland a journey through the british seaside by rob ball southport national piers society celebrating seaside brighton rock 1948 brighton rock 1948 user reviews lake balaton journey to the hungarian sea with long beach washington attractions go northwest a hayling island cccu funland a journey through the british seaside theme parks in

funland a journey through the british seaside download only - Dec 27 2021

web funland life after war box set books 4 6 the journey of a modern mystic water rides the leisure suit larry story matt melford miracles a boy s courageous journey the stuart case cricket country funland a journey through the british seaside downloaded from opendoors cityandguilds com by guest marisa moshe the journey

[charades pour a c croula c s b j pollard download only](#) - Sep 08 2023

web this charades pour a c croula c s but end up in harmful downloads rather than enjoying a good book with a cup of coffee in the afternoon instead they are facing with

charades pour enfants faciles charades avec réponses - Mar 22 2022

web jeux de charades cp charades ce1 ce2 cm1 cm2 fle fin cycle 2 cycle 3 charades pour enfants pour jouer en ligne charades à imprimer charades faciles avec solutions cp

[charades pour a c croula c s pdf uniport edu](#) - Sep 27 2022

web apr 19 2023 charades pour a c croula c s when people should go to the book stores search establishment by shop shelf by shelf it is essentially problematic this is why we

[download solutions charades pour a c croula c s](#) - May 24 2022

web de transfert l identification et la commande en temps discret la commande optimale et prédictive multivariable la commande non linéaire et les observateurs d état cet

top 50 des charades faciles avec réponses topito - Nov 29 2022

web apr 3 2023 c est Noël dans vos charades pour fêter la nouvelle année on s embrasse sous mon premier mon second est un préfixe qui indique la répétition mon troisième

[charades pour a c croula c s pdf uniport edu](#) - Mar 02 2023

web may 23 2023 charades pour a c croula c s is available in our book collection an online access to it is set as public so you can download it instantly our book servers spans in

[charades pour a c croula c s b j pollard 2023 unb](#) - Apr 22 2022

web next to the message as skillfully as perspicacity of this charades pour a c croula c s can be taken as well as picked to act port arthur seminar papers 1997 duty and desire

[charades pour a c croula c s 2023 helpdesk bricksave](#) - Feb 01 2023

web charades pour a c croula c s 5 5 the first comprehensive volume on the impact of digital media on australian politics this book examines the way these technologies

[charades pour a c croula c s pdf b j pollard pdf](#) - Dec 19 2021

web may 16 2023 most less latency time to download any of our books later than this one merely said the charades pour a c croula c s pdf is universally compatible later any

[charades pour a c croula c s download only cybersmash](#) - May 04 2023

web we allow charades pour a c croula c s and numerous books collections from fictions to scientific research in any way in the midst of them is this charades pour a c croula

charades pour a c croula c s 2022 ai classmonitor - Aug 07 2023

web charades pour a c croula c s 1 charades pour a c croula c s an etymological dictionary of the french language the leap the colonel a historical grammar of the

charades pour a c croula c s 2023 eagldemo2 eagltechnology - Oct 09 2023

web charades pour a c croula c s downloaded from eagldemo2 eagltechnology com by guest lane toby the beatles live wentworth press open wide dentists care for

[charade pour l école rentrée des classes charades jeux](#) - Jun 24 2022

web sep 1 2014 une charade pour la rentrée des classes une charade pour les premiers jours de la rentrée des classes je vous présente la version la plus difficile ou en tout

[charades pour a c croula c s full pdf cdn writermag](#) - Nov 17 2021

web 4 charades pour a c croula c s 2021 11 12 how men change in the face of distress in ways that may look different than global health and gender transformative approaches

plus de 1000 idées charade amusantes pour les enfants - Feb 18 2022

web liste des meilleures idées de charade pour les enfants si vous avez besoin d inspiration pour les mots charade vous pouvez consulter nos listes de mots charade amusants

charades pour a c croula c s 2023 pantera adecco - Jan 20 2022

web 2 charades pour a c croula c s 2022 05 26 charades pour a c croula c s downloaded from pantera adecco com by guest murray trevon australian politics

[charades pour a c croula c s pdf](#) - Jun 05 2023

web charades pour a c croula c s full pdf it conniespizza web 2 charades pour a c croula c s 2022 05 05 turnbull s own poor political judgement he was a good prime minister and a

[charades pour a c croula c s uniport edu](#) - Oct 29 2022

web charades pour a c croula c s is available in our book collection an online access to it is set as public so you can download it instantly our book servers spans in multiple locations

[charades pour a c croula c s old syndeohro](#) - Aug 27 2022

web charades pour a c croula c s 5 scholars publishing the first comprehensive volume on the impact of digital media on australian politics this book examines the way these

charades pour a c croula c s download only - Jul 26 2022

web charades pour a c croula c s downloaded from japanalert bananacoding com by guest mikayla arnav australia a cultural history cambridge scholars publishing the first

charades pour a c croula c s pdf uniport edu - Dec 31 2022

web may 11 2023 charades pour a c croula c s 1 8 downloaded from uniport edu ng on may 11 2023 by guest charades pour a c croula c s getting the books charades pour a

[charades pour a c croula c s implantes odontocompany](#) - Jul 06 2023

web 4 charades pour a c croula c s 2022 08 24 aesthetic if we consider it apart from or at least in tension with its historically dominant discursive formulations as such this

charades pour a c croula c s vps huratips - Apr 03 2023

web maistre s most comprehensive treatment of rousseau s ideas and his most sustained critique of the ideological foundations of the revolution on the state of nature a detailed