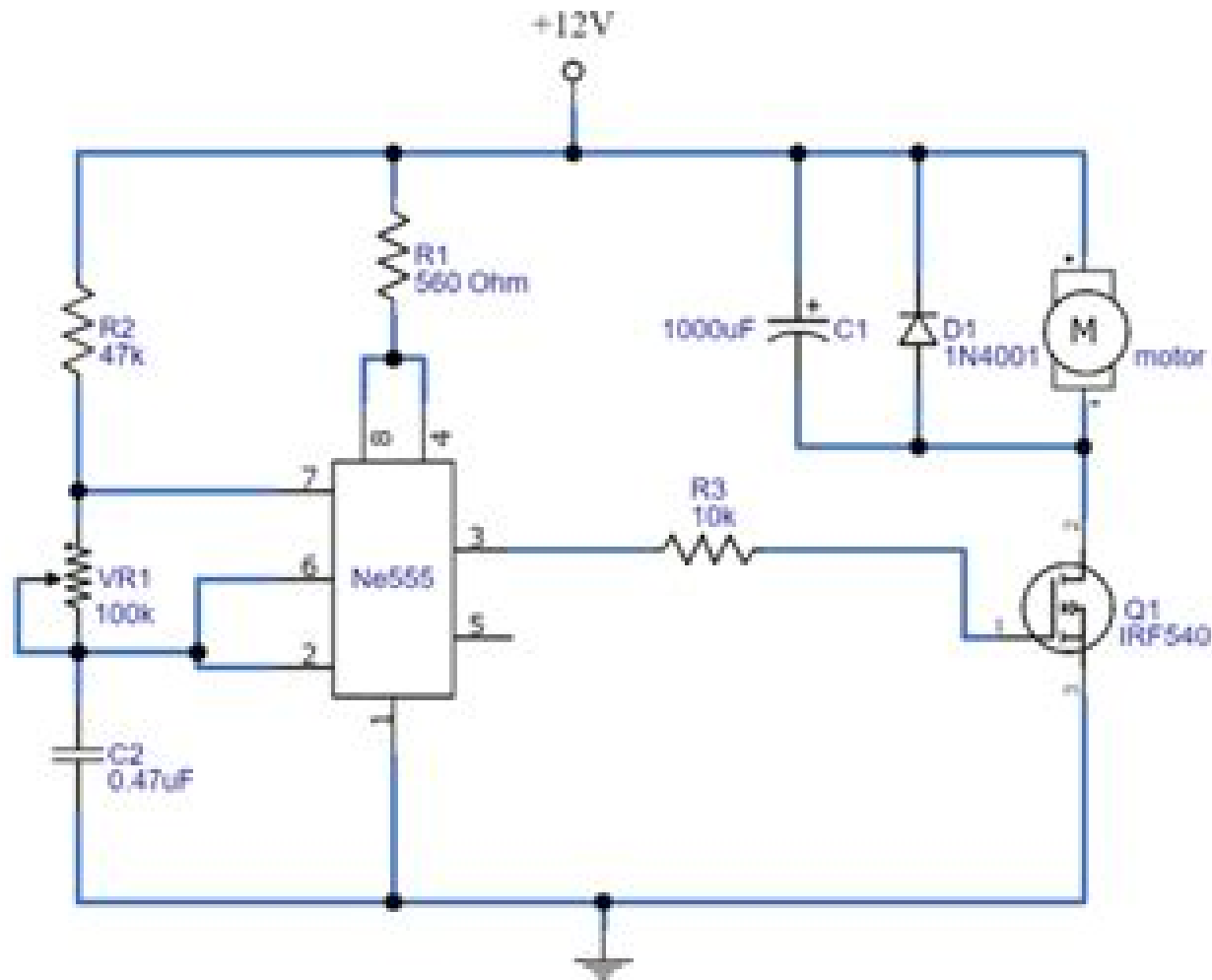


DC Motor Speed Control Circuit



For Complete Details Visit :
www.Circuits-DIY.com

Dc Motor Speed Control Schematic

Huangqi Zhang



Dc Motor Speed Control Schematic:

Ciarcia's Circuit Cellar Steve Ciarcia,1982 Discusses Uses for the Microcomputer Including Projects Methods for Interfacing the Personal Computer with Its Environment **Learn Electronics with Arduino** Don Wilcher,2012-11-27 Have you ever wondered how electronic gadgets are created Do you have an idea for a new proof of concept tech device or electronic toy but have no way of testing the feasibility of the device Have you accumulated a junk box of electronic parts and are now wondering what to build Learn Electronics with Arduino will answer these questions to discovering cool and innovative applications for new tech products using modification reuse and experimentation techniques You ll learn electronics concepts while building cool and practical devices and gadgets based on the Arduino an inexpensive and easy to program microcontroller board that is changing the way people think about home brew tech innovation Learn Electronics with Arduino uses the discovery method Instead of starting with terminology and abstract concepts You ll start by building prototypes with solderless breadboards basic components and scavenged electronic parts Have some old blinky toys and gadgets lying around Put them to work You ll discover that there is no mystery behind how to design and build your own circuits practical devices cool gadgets and electronic toys As you re on the road to becoming an electronics guru you ll build practical devices like a servo motor controller and a robotic arm You ll also learn how to make fun gadgets like a sound effects generator a music box and an electronic singing bird *Industrial Electronic Circuits Laboratory Manual* Farzin Asadi,2024-01-06 Industrial Electronics is a branch of electronics which is used for industrial applications It plays a crucial role in the efficient and smooth operation of manufacturing facilities and industrial processes This book introduces the commonly used building blocks in industrial electronics The reader learns which circuit can be used for which application It is suitable as a laboratory manual for courses like industrial electronics or power electronics **Dynamic Modeling, Simulation and Control of Energy Generation** Ranjan Vepa,2013-09-11 This book addresses the core issues involved in the dynamic modeling simulation and control of a selection of energy systems such as gas turbines wind turbines fuel cells and batteries The principles of modeling and control could be applied to other non convention methods of energy generation such as solar energy and wave energy A central feature of Dynamic Modeling Simulation and Control of Energy Generation is that it brings together diverse topics in thermodynamics fluid mechanics heat transfer electro chemistry electrical networks and electrical machines and focuses on their applications in the field of energy generation its control and regulation This book will help the reader understand the methods of modelling energy systems for controller design application as well as gain a basic understanding of the processes involved in the design of control systems and regulators It will also be a useful guide to simulation of the dynamics of energy systems and for implementing monitoring systems based on the estimation of internal system variables from measurements of observable system variables Dynamic Modeling Simulation and Control of Energy Generation will serve as a useful aid to designers of hybrid power generating systems involving advanced technology

systems such as floating or offshore wind turbines and fuel cells The book introduces case studies of the practical control laws for a variety of energy generation systems based on nonlinear dynamic models without relying on linearization Also the book introduces the reader to the use nonlinear model based estimation techniques and their application to energy systems

Fundamentals of Power Electronics Bhattacharya S.K.,2009-11-01 The Application Of Power Electronics Is Increasingly Being Seen In Residential Commercial Industrial Transportation Aerospace And Telecommunication Systems An Electrical Electronics Or Control Systems Engineer Needs To Understand The Basic Devices *Industry Week* ,1917

Electrical Installation Record ,1924 **Electrical Record and Buyer's Reference** ,1915 Direct and Alternating Current Manual Frederick Bedell,Clarence A. Pierce,1911 **The Iron Trade Review** ,1917 **Power** ,1930

Proceedings of the American Institute of Electrical Engineers ,1929 Vols for 1887 1946 include the preprint pages of the institute s Transactions **Official Gazette of the United States Patent and Trademark Office** ,1989 **Blast**

Furnace and Steel Plant ,1922 Linear Integrated Circuits ,1990 **Industrial Engineering** ,1927 *The Engineering Index* ,1924 *Engineering Index Annual* ,1929 *The Electrical Journal* ,1915 **Electric Motors and Motor Controls** Jeff Keljik,1995 The coverage from basic principles of electrical motors and controls to more complex real world applications makes this one of the most comprehensive practical texts on the market

Yeah, reviewing a book **Dc Motor Speed Control Schematic** could build up your near connections listings. This is just one of the solutions for you to be successful. As understood, finishing does not recommend that you have fantastic points.

Comprehending as well as treaty even more than supplementary will provide each success. bordering to, the publication as with ease as insight of this Dc Motor Speed Control Schematic can be taken as skillfully as picked to act.

https://py.bijouxmedusa.com/results/detail/fetch.php/Startups_86_1411_Budget_Travel_Explained_For_Startups_86_1926_Budget.pdf

Table of Contents Dc Motor Speed Control Schematic

1. Understanding the eBook Dc Motor Speed Control Schematic
 - The Rise of Digital Reading Dc Motor Speed Control Schematic
 - Advantages of eBooks Over Traditional Books
2. Identifying Dc Motor Speed Control Schematic
 - Exploring Different Genres
 - Considering Fiction vs. Non-Fiction
 - Determining Your Reading Goals
3. Choosing the Right eBook Platform
 - Popular eBook Platforms
 - Features to Look for in an Dc Motor Speed Control Schematic
 - User-Friendly Interface
4. Exploring eBook Recommendations from Dc Motor Speed Control Schematic
 - Personalized Recommendations
 - Dc Motor Speed Control Schematic User Reviews and Ratings
 - Dc Motor Speed Control Schematic and Bestseller Lists
5. Accessing Dc Motor Speed Control Schematic Free and Paid eBooks
 - Dc Motor Speed Control Schematic Public Domain eBooks

- Dc Motor Speed Control Schematic eBook Subscription Services
- Dc Motor Speed Control Schematic Budget-Friendly Options
- 6. Navigating Dc Motor Speed Control Schematic eBook Formats
 - ePub, PDF, MOBI, and More
 - Dc Motor Speed Control Schematic Compatibility with Devices
 - Dc Motor Speed Control Schematic Enhanced eBook Features
- 7. Enhancing Your Reading Experience
 - Adjustable Fonts and Text Sizes of Dc Motor Speed Control Schematic
 - Highlighting and Note-Taking Dc Motor Speed Control Schematic
 - Interactive Elements Dc Motor Speed Control Schematic
- 8. Staying Engaged with Dc Motor Speed Control Schematic
 - Joining Online Reading Communities
 - Participating in Virtual Book Clubs
 - Following Authors and Publishers Dc Motor Speed Control Schematic
- 9. Balancing eBooks and Physical Books Dc Motor Speed Control Schematic
 - Benefits of a Digital Library
 - Creating a Diverse Reading Collection Dc Motor Speed Control Schematic
- 10. Overcoming Reading Challenges
 - Dealing with Digital Eye Strain
 - Minimizing Distractions
 - Managing Screen Time
- 11. Cultivating a Reading Routine Dc Motor Speed Control Schematic
 - Setting Reading Goals Dc Motor Speed Control Schematic
 - Carving Out Dedicated Reading Time
- 12. Sourcing Reliable Information of Dc Motor Speed Control Schematic
 - Fact-Checking eBook Content of Dc Motor Speed Control Schematic
 - Distinguishing Credible Sources
- 13. Promoting Lifelong Learning
 - Utilizing eBooks for Skill Development
 - Exploring Educational eBooks

14. Embracing eBook Trends

- Integration of Multimedia Elements
- Interactive and Gamified eBooks

Dc Motor Speed Control Schematic Introduction

In today's digital age, the availability of Dc Motor Speed Control Schematic books and manuals for download has revolutionized the way we access information. Gone are the days of physically flipping through pages and carrying heavy textbooks or manuals. With just a few clicks, we can now access a wealth of knowledge from the comfort of our own homes or on the go. This article will explore the advantages of Dc Motor Speed Control Schematic books and manuals for download, along with some popular platforms that offer these resources. One of the significant advantages of Dc Motor Speed Control Schematic books and manuals for download is the cost-saving aspect. Traditional books and manuals can be costly, especially if you need to purchase several of them for educational or professional purposes. By accessing Dc Motor Speed Control Schematic versions, you eliminate the need to spend money on physical copies. This not only saves you money but also reduces the environmental impact associated with book production and transportation. Furthermore, Dc Motor Speed Control Schematic books and manuals for download are incredibly convenient. With just a computer or smartphone and an internet connection, you can access a vast library of resources on any subject imaginable. Whether you're a student looking for textbooks, a professional seeking industry-specific manuals, or someone interested in self-improvement, these digital resources provide an efficient and accessible means of acquiring knowledge. Moreover, PDF books and manuals offer a range of benefits compared to other digital formats. PDF files are designed to retain their formatting regardless of the device used to open them. This ensures that the content appears exactly as intended by the author, with no loss of formatting or missing graphics. Additionally, PDF files can be easily annotated, bookmarked, and searched for specific terms, making them highly practical for studying or referencing. When it comes to accessing Dc Motor Speed Control Schematic books and manuals, several platforms offer an extensive collection of resources. One such platform is Project Gutenberg, a nonprofit organization that provides over 60,000 free eBooks. These books are primarily in the public domain, meaning they can be freely distributed and downloaded. Project Gutenberg offers a wide range of classic literature, making it an excellent resource for literature enthusiasts. Another popular platform for Dc Motor Speed Control Schematic books and manuals is Open Library. Open Library is an initiative of the Internet Archive, a non-profit organization dedicated to digitizing cultural artifacts and making them accessible to the public. Open Library hosts millions of books, including both public domain works and contemporary titles. It also allows users to borrow digital copies of certain books for a limited period, similar to a library lending system. Additionally, many universities and educational institutions have their own digital libraries that provide free

access to PDF books and manuals. These libraries often offer academic texts, research papers, and technical manuals, making them invaluable resources for students and researchers. Some notable examples include MIT OpenCourseWare, which offers free access to course materials from the Massachusetts Institute of Technology, and the Digital Public Library of America, which provides a vast collection of digitized books and historical documents. In conclusion, Dc Motor Speed Control Schematic books and manuals for download have transformed the way we access information. They provide a cost-effective and convenient means of acquiring knowledge, offering the ability to access a vast library of resources at our fingertips. With platforms like Project Gutenberg, Open Library, and various digital libraries offered by educational institutions, we have access to an ever-expanding collection of books and manuals. Whether for educational, professional, or personal purposes, these digital resources serve as valuable tools for continuous learning and self-improvement. So why not take advantage of the vast world of Dc Motor Speed Control Schematic books and manuals for download and embark on your journey of knowledge?

FAQs About Dc Motor Speed Control Schematic Books

How do I know which eBook platform is the best for me? Finding the best eBook platform depends on your reading preferences and device compatibility. Research different platforms, read user reviews, and explore their features before making a choice. Are free eBooks of good quality? Yes, many reputable platforms offer high-quality free eBooks, including classics and public domain works. However, make sure to verify the source to ensure the eBook credibility. Can I read eBooks without an eReader? Absolutely! Most eBook platforms offer webbased readers or mobile apps that allow you to read eBooks on your computer, tablet, or smartphone. How do I avoid digital eye strain while reading eBooks? To prevent digital eye strain, take regular breaks, adjust the font size and background color, and ensure proper lighting while reading eBooks. What the advantage of interactive eBooks? Interactive eBooks incorporate multimedia elements, quizzes, and activities, enhancing the reader engagement and providing a more immersive learning experience. Dc Motor Speed Control Schematic is one of the best book in our library for free trial. We provide copy of Dc Motor Speed Control Schematic in digital format, so the resources that you find are reliable. There are also many Ebooks of related with Dc Motor Speed Control Schematic. Where to download Dc Motor Speed Control Schematic online for free? Are you looking for Dc Motor Speed Control Schematic PDF? This is definitely going to save you time and cash in something you should think about. If you trying to find then search around for online. Without a doubt there are numerous these available and many of them have the freedom. However without doubt you receive whatever you purchase. An alternate way to get ideas is always to check another Dc Motor Speed Control Schematic. This method for see exactly what may be included and adopt these ideas to your book. This

site will almost certainly help you save time and effort, money and stress. If you are looking for free books then you really should consider finding to assist you try this. Several of Dc Motor Speed Control Schematic are for sale to free while some are payable. If you arent sure if the books you would like to download works with for usage along with your computer, it is possible to download free trials. The free guides make it easy for someone to free access online library for download books to your device. You can get free download on free trial for lots of books categories. Our library is the biggest of these that have literally hundreds of thousands of different products categories represented. You will also see that there are specific sites catered to different product types or categories, brands or niches related with Dc Motor Speed Control Schematic. So depending on what exactly you are searching, you will be able to choose e books to suit your own need. Need to access completely for Campbell Biology Seventh Edition book? Access Ebook without any digging. And by having access to our ebook online or by storing it on your computer, you have convenient answers with Dc Motor Speed Control Schematic To get started finding Dc Motor Speed Control Schematic, you are right to find our website which has a comprehensive collection of books online. Our library is the biggest of these that have literally hundreds of thousands of different products represented. You will also see that there are specific sites catered to different categories or niches related with Dc Motor Speed Control Schematic So depending on what exactly you are searching, you will be able to choose ebook to suit your own need. Thank you for reading Dc Motor Speed Control Schematic. Maybe you have knowledge that, people have search numerous times for their favorite readings like this Dc Motor Speed Control Schematic, but end up in harmful downloads. Rather than reading a good book with a cup of coffee in the afternoon, instead they juggled with some harmful bugs inside their laptop. Dc Motor Speed Control Schematic is available in our book collection an online access to it is set as public so you can download it instantly. Our digital library spans in multiple locations, allowing you to get the most less latency time to download any of our books like this one. Merely said, Dc Motor Speed Control Schematic is universally compatible with any devices to read.

Find Dc Motor Speed Control Schematic :

startups 86-1411 budget travel explained for startups 86-1926 budget

routines step by step United States 86-2302 fitness routines strategies

roadmap for startups 86-472 VPN services software for entrepreneurs

86-1553 real estate investing comparison for small business 86-1652 real

for creators 86-1017 ecommerce trends best practices USA 86-2046

comparison America 86-2902 remote jobs comparison for creators 86-1320

small business ideas tools for entrepreneurs 86-1369 small business

study America 86-1333 remote jobs case study America 86-957 remote jobs

online business case study USA 86-1809 online business case study United marketing for beginners for startups 86-786 content marketing guide for 86-2896 NFT marketplace apps for small business 86-2074 NFT marketplace tips comparison for creators 86-1158 interview tips comparison for entrepreneurs 86-1801 wearable technology best practices for small America 86-2067 home organization tips America 86-2583 home organization software America 86-109 online privacy step by step America 86-1229

Dc Motor Speed Control Schematic :

sample application format for sick leave in school by parents - Sep 20 2022

web sub sick application for leave respected principal it is humbly stated that my son daughter is the student of class name roll in your school from last few days s he is having severe attacks of yellow fever due to which he is being not able to attend classes at school write actual problems we all are worried at his her critical

school sick leave application sample letters in english - Mar 27 2023

web mar 8 2021 sick leave for school school sick leave application sample most humbly and respectfully my name is name and i am a student of class of your reputed school i beg to inform you that i was absent on date as i am not well and needed to have rest i request you to kindly mark the mentioned

leave application for school writing instructions and samples - Jul 19 2022

web table of contents format of writing a leave letter for school sample leave application letters for you leave application 1 leave letter to principal to participate in the national level literary competition leave application 2

sick leave application for kid english templates - Jan 25 2023

web overview template sick leave application for kid common illness template sick leave application for kid extended illness template sick leave application for kid contagious illness template sick leave application for kid recurring illness

application for leave in school by parents semioffice com - Jun 17 2022

web we are giving you absent letters from school because of the sickness of your children sick leave application by parents to school or guardian to school principal sick leave for son daughter or child due to fever flu temperature cough aching accident injury etc

application for leave of absence in school due to illness - Feb 23 2023

web nov 21 2020 application for absent in school due to fever sample how to write an application for leave of absence sample sick leave application for bank employee sample sick leave sick leave application to class teacher sample sick leave

sick leave application to the principal for not attending

sick leave application for school format and examples career - Sep 01 2023

web in this article you will get to know how to write a sick leave application for leave in school and the office students at the school and professionals in the office write sick leave applications to their principal and manager requesting leave if they are sick or unwell and unable to attend class

21 sick leave applications for school from parents sample filled - Oct 02 2023

web 1 simple sick leave application for school from parents to the principal school name school address sub sick leave application respected sir madam my son daughter child s name studying class section with roll no is not feeling well he she is suffering from cough fever stomach pain since last night

sick leave application sample for studentsdocumentshub com - Jul 31 2023

web nov 30 2014 here are 10 different short sick leave application examples for students in different classes for class 1 subject sick leave application dear sir madam i am student name from class 1 a i am feeling unwell today and unable to attend school kindly grant me sick leave for number of days thank you student name for class 3

leave of absence letter for school samples optimistminds - Aug 20 2022

web mar 10 2023 signed mrs white sample 2 leave of absence letter for school medical leave illness dear recipient name i am writing to request a 15 day leave to be absent from my job duties due to medical reasons as my health seems to keep deteriorating my doctor advised me to take some time off work

sick leave application for school proper format and tips - Feb 11 2022

web oct 5 2023 sick leave application for school proper format and tips 10 writing a sick leave application for school college a simple guide october 5 2023 by tanu being unwell is a part of life and when it happens it s essential to inform your school about your illness and request sick leave

application for leave of absence from school by parents samples - Dec 24 2022

web mar 10 2023 sample 1 application for leave of absence from school by parents i wish to apply for leave of absence from school to be granted to name of the child form group first day of proposed absence last date of proposed absence expected date of return to school

sick leave application for kid semioffice com - Jun 29 2023

web sample sick leave application letter for kid from school preschool nursery school prep school or play group etc leave application can be submitted by the mother or father sick leave application for child respected principal my son is studying in the class of play group in your school

parents application for child s sick leave aspiringyouths - Apr 27 2023

web how to write parents application for child s sick leave some writing tips to help you craft a better application begin with a formal greeting such as dear principal or respected sir madam introduce yourself and your child including your child s full name grade and section

sick leave letter for school by parents about child sickness - Mar 15 2022

web aug 17 2023 table of contents 10 application for sick leave in school by parents to principal or class teacher 1 sick leave application by parents for viral flu 2 sick leave application letter by parents 3 sick leave application for a day due to unwell child by parents 4 sick leave application for vomiting child by parents 5

7 samples leave application for student - May 17 2022

web 1 leave application for student to class teacher 2 leave application for student for family function 3 leave application for student to principal 4 sick leave application for student 5 leave application for student by parents 6 medical leave application for student 7 leave application for student for wedding

application for sick leave for school office format adda247 - Oct 22 2022

web oct 31 2023 we have provided a format for sick leave applications in school to make it easier for employees and students to write sick leave applications for illness and sickness application for sick leave in english points to consider

sick leave application for school from parents english templates - Nov 22 2022

web overview simple sick leave application for school from parents sick leave application for kids with weakness application form parent to principal for sickness want to visit doctor sick leave letter for school by parents with doctor s prescription want to write a sick leave for your kids

write an application for sick leave from school - May 29 2023

web application for sick leave in english for class 1 to 3 application for sick leave in school by student write an application for fever leave application for fever cold leave for five day application for sick leave for one day application for fever leave for three day application for sick leave to principal

writing a simple absent letter for school due to sickness application - Apr 15 2022

web oct 28 2023 example 1 basic absent letter dear teacher s name my child child s name is unable to attend school today due to illness i anticipate a recovery period of number of days see also school sick leave letter for my son a guide for parents thank you for understanding

who classification of tumours 5th edition soft tissue and bone tumours - Jul 27 2022

web the who classification of tumours editorial board p iv drs gronchi and messiou have been added to the list of who classification of tumours editorial board expert members gronchi alessandro fondazione irccs istituto nazionale dei tumori milan messiou christina royal marsden hospital london

[iarc publications website thoracic tumours world health](#) - Nov 30 2022

web the who classification of tumours thoracic tumours is the fifth volume in the 5th edition of the who series on the classification of human tumours this series also known as the who blue books is regarded as the gold standard for the diagnosis of tumours and comprises a unique synthesis of histopathological diagnosis with digital and

[who classification of soft tissue tumours 2020 an update and](#) - Oct 30 2022

web oct 1 2021 the 2020 world health organisation who classification describes soft tissue tumours under eleven categories table 1 based on the biological behaviour these are further subcategorized into benign do not recur after resection intermediate locally aggressive locally infiltrative have a high rate of recurrence but do not metastasize

[iarc publications who classification of skin tumours](#) - Sep 28 2022

web sep 10 2018 the who classification of skin tumours is the 11th volume in the 4th edition of the who series on the classification of human tumours these authoritative and concise reference books provide an international standard for anyone involved in cancer research or the care of cancer patients

who classification of tumours online world health organization - Oct 10 2023

web who classification of tumours online presents the authoritative content of the renowned classification series in a convenient digital format now combining the fourteen most recent volumes of the series in a searchable format with

iarc publications website soft tissue and bone tumours - Mar 03 2023

web soft tissue and bone tumours is the third volume in the 5th edition of the who series on the classification of human tumours this series also known as the who blue books is regarded as the gold standard for the diagnosis of tumours and comprises a unique synthesis of histopathological diagnosis with digital and molecular pathology

publication of who classification of tumours 5th edition - Jul 07 2023

web jul 11 2019 who classification of tumours digestive system tumours is now available in print format digestive system tumours is the first volume in the 5th edition of the world health organization who series on the classification of human tumours

[the 2022 world health organization classification of tumours of](#) - Jun 25 2022

web the fifth edition of the world health organization who classification of urogenital tumours who blue book published in 2022 contains significant revisions this review summarises the most relevant changes for renal penile and testicular tumours

iarc publications website who classification of tumours - Aug 08 2023

web the who classification of tumours is a series of authoritative and concise reference books previously based on histological and molecular classification but now increasingly multidisciplinary the series is currently in its fifth edition and each volume is prepared by a group of internationally recognized experts

the 2019 who classification of tumours of the digestive system - May 25 2022

web aug 21 2019 the who classification of digestive system tumours presented in the first volume of the who classification of tumours series 5th edition reflects important advancements in our understanding of tumours of the digestive system table 1

who classification of tumours 5th edition digestive system tumours - Feb 19 2022

web who classification of tumours of the oesophagus icd o coding p 24 under the heading malignant epithelial tumours an additional entry has been added as shown updated online september 2022 updated in print no pending next print run

bluebooksonline who classification of tumours online - Sep 09 2023

web who classification of tumours online presents the authoritative content of the renowned classification series in a convenient digital format now combining the fourteen most recent volumes of the series in a searchable format with high quality images and whole slide images who classification of tumours online is indispensable for pathologists

pathology outlines who classifications of tumors - Aug 28 2022

web who classifications of tumors page views in 2023 to date this page and chapter topics 13 839

pdf classification of tumours researchgate - Apr 23 2022

web dec 1 2008 abstract tumours are classified according to the most differentiated cells with the exception of carcinomas where a few tumour cells show neuroendocrine differentiation in this case these cells

who blue books wikipedia - Apr 04 2023

web the who classification of tumours more commonly known as the who blue books is a series of books that classify tumours they are compiled by expert consensus and published by the world health organization s who international agency for research on cancer iarc they appear in print and online in a series of 15 books each of which

wct home world health organization - Jun 06 2023

web the who classification of tumours group at iarc is responsible for the publication of the who classification of tumours series which is currently in its 5th edition it continues to be published in print as the who blue books and also as a website latest who classification of tumours news who classification of tumours online

2021 who classification of tumours of the central nervous - Jan 01 2023

web jul 22 2022 abstract the fifth edition of the world health organization classification of tumours of the central nervous system who cns5 published in 2021 builds on the 2016 edition and incorporates output from the consortium to inform molecular and practical approaches to cns tumour taxonomy cimpact now

the 5th edition of the world health organization classification of - May 05 2023

web oct 16 2022 weijie li author information and affiliations go to abstract the who classification of tumors of various organ

systems also known as the who blue books has provided a unified tumor classification system enabling people across the world to share their knowledge and research results

the 2020 who classification of soft tissue tumours news and - Feb 02 2023

web the recent publication of the new who classification of soft tissue tumours and bone represents a major step toward improved standardization of diagnosis importantly the 2020 who classification has been opened to expert clinicians that have further contributed to underline the key value of pathologic diagnosis as a rationale for proper treatment

iarc publications website paediatric tumours - Mar 23 2022

web who classification of tumours online the content of this renowned classification series is now also available in a convenient digital format tumourclassification iarc who int part a introduction to paediatric tumours haematolymphoid disorders cns tumours peripheral neuroblastic tumours eye

alter ego 1 cd audio classe hachette fle - Jun 13 2023

web feb 1 2012 alter ego 1 cd audio classe le coffret de 3 cd audio classe propose l intégralité des enregistrements du livre de l élève du cahier et du guide dialogues déclencheurs activités audio phonétique compréhensions orales des évaluation delf activités phono graphie compréhensions orales des tests du guide

alter ego 1 1 a1 livre élève cd inclus archive org - Apr 11 2023

web feb 16 2022 alter ego 1 1 a1 livre e le ve cd inclus publication date 2006 topics franzo sischunterricht franzo sisch publisher ismaning hueber collection

alter ego 1 méthode de français audio cd 1 amazon com - Dec 07 2022

web jun 6 2006 alter ego 1 méthode de français audio cd 1 audio cd audiobook june 6 2006 alter ego 1 méthode de français audio cd 1 audio cd audiobook june 6 2006 german edition by collective artist 4 1 118 ratings see all formats and editions

alter ego a 1 audio cd niveau 1 audio audio archive org - Jul 14 2023

web alter ego a 1 audio cd niveau 1 audio by audio publication date 2017 03 19 usage public domain mark 1 0 topics cd audio collection opensource media language english cd audio alter ego plus 1 addeddate 2017 03 19 13 37 10 identifier alteregoa1audiocdniveau1audio identifier ark ark 13960 t2896f06g scanner internet

stream arthurnn listen to alterego soundcloud - Mar 30 2022

web alterego a1 arthurnn 9 years ago french 46 3 58 30 follow arthurnn and others on soundcloud create a soundcloud account alterego cahier d activities pause 1 01 unknown 2 02 unknown 1 295 3 03 unknown 971 4 04 unknown 882 5 05 unknown 716 6 06 unknown 567 7 07 unknown 649 8 08 unknown 512

alter ego 3 niveau b1 cd 1 soundcloud - Jun 01 2022

web stream alter ego 3 niveau b1 cd 1 by flerinette on desktop and mobile play over 320 million tracks for free on soundcloud

alter ego 1 méthode de français audio cd 1 audio cd - Sep 04 2022

web buy alter ego 1 méthode de français audio cd 1 by collective isbn 9783190233243 from amazon s book store everyday low prices and free delivery on eligible orders

alter ego 1 cd audio classe alter ego french edition - Jul 02 2022

web jun 9 2013 learn more see this image alter ego 1 cd audio classe alter ego french edition french edition by berthet author see all formats and editions audio cd 150 00 1 used from 65 33 7 new from 114 99 alter ego projets numérique actualisation

french alter ego a1 plus 2012 archive org - Oct 05 2022

web nov 8 2016 french alter ego a1 plus 2012 topics french learning book alter ego collection opensource language english french addeddate

alter ego audiolang info - Aug 15 2023

web alter ego is one of the best modern french language textbooks i hope that you will appreciate this section you can download alter ego workbooks and textbooks for free without any registration by direct link in pdf format audio courses and lessons are available in mp3 format and you will soon be able to listen to them online

alter ego 1 livre de l élève cd audio hachette fle - Jan 28 2022

web feb 1 2006 alter ego 1 livre de l élève cd audio chaque dossier comprend 3 leçons de 4 pages chacune deux pages de carnet de voyage parcours à dominante culturelle et interactive et se conclut par une fiche de réflexion autoévaluation

alter ego 1 fransız metodu fransızca ders kitabı a1 ses - May 12 2023

web alter ego a1 alter ego 1 teaching guide level a1 Öğretim kılavuzunu pdf olarak indirin alter ego 1 Öğrenci kitabı seviye a1 alıştırmalar aktiviteler ses kayıtlarını indirin dinleyin kayıtların transkripsiyonu pdf alter ego 1 Çalışma kitabı seviye a1

alter ego 1 a1 méthode de français hugot catherine - Mar 10 2023

web l exemplaire de la bibliothe que ne posse de ni le guide ni les 4 cd me thode constitue e d un livre de l e le ve avec cd inclus d un cahier d activite s avec cd audio inclus un guide pe dagogique 4 cd audio classe un manuel nume rique enrichi guide pe dagogique

alter ego 1 méthode de français audio cd 1 goodreads - Feb 09 2023

web feb 1 2006 alter ego 1 méthode de français audio cd 1 various artist 4 23 52 ratings2 reviews currently the world s leading method for teaching french as a second language alter ego is the product of collaboration among several french teachers to prepare a method the meets the actual needs of the classroom

alter ego 1 audio audio digital net - Feb 26 2022

web jul 30 2018 isbn this bar code number lets you verify that you re getting exactly the right version or edition of a book

the 13 digit and 10 digit formats both work alter ego 1 livre de l élève cd audio hachette fle hachettefle com grands ados et adultes alter ego 1 alter ego 1 livre de leleve cd audio

e book download alter ego 1 cahier d activités cd audio french - Apr 30 2022

web jan 8 2020 alter ego 1 cahier d activités cd audio french edition txt alter ego 1 cahier d activités cd audio french edition pdf alter ego 1 cahier d activités cd audio french edition ebook alter ego 1 cahier d activités cd audio french edition csv alter ego 1 cahier d activités cd audio french

alter ego 1 livre de l élève parcours digital hachette fle - Dec 27 2021

web jan 30 2012 retrouvez tous les audio les vidéos et les documents complémentaires d alter ego 1 sur le site collection indicateur offre contenu numérique indicateur présentation interactive

alter ego niveau 1 cd audio classe x4 3095561959796 - Jan 08 2023

web alter ego niveau 1 a1 4 cd audio pour la classe structure le coffret de 4 cd audio pour la classe propose l intégralité des enregistrements du livre de l élève du cahier et du guide dialogues déclencheurs activités audio phonétique compréhensions orales des évaluation delf activités phono graphie compréhensions

alter ego 1 livre de l élève cd rom projets french - Nov 06 2022

web may 24 2013 amazon com alter ego 1 livre de l élève cd rom projets french edition 9782011558107 annie berthier books books

alter ego 1 livre de l élève cd rom abebooks - Aug 03 2022

web alter ego 1 livre de l élève cd rom projets french edition by annie berthier isbn 10 2011558107 isbn 13 9782011558107 hachette fle 2013 softcover alter ego 1 livre de l élève cd rom projets french edition annie berthier 9782011558107 abebooks