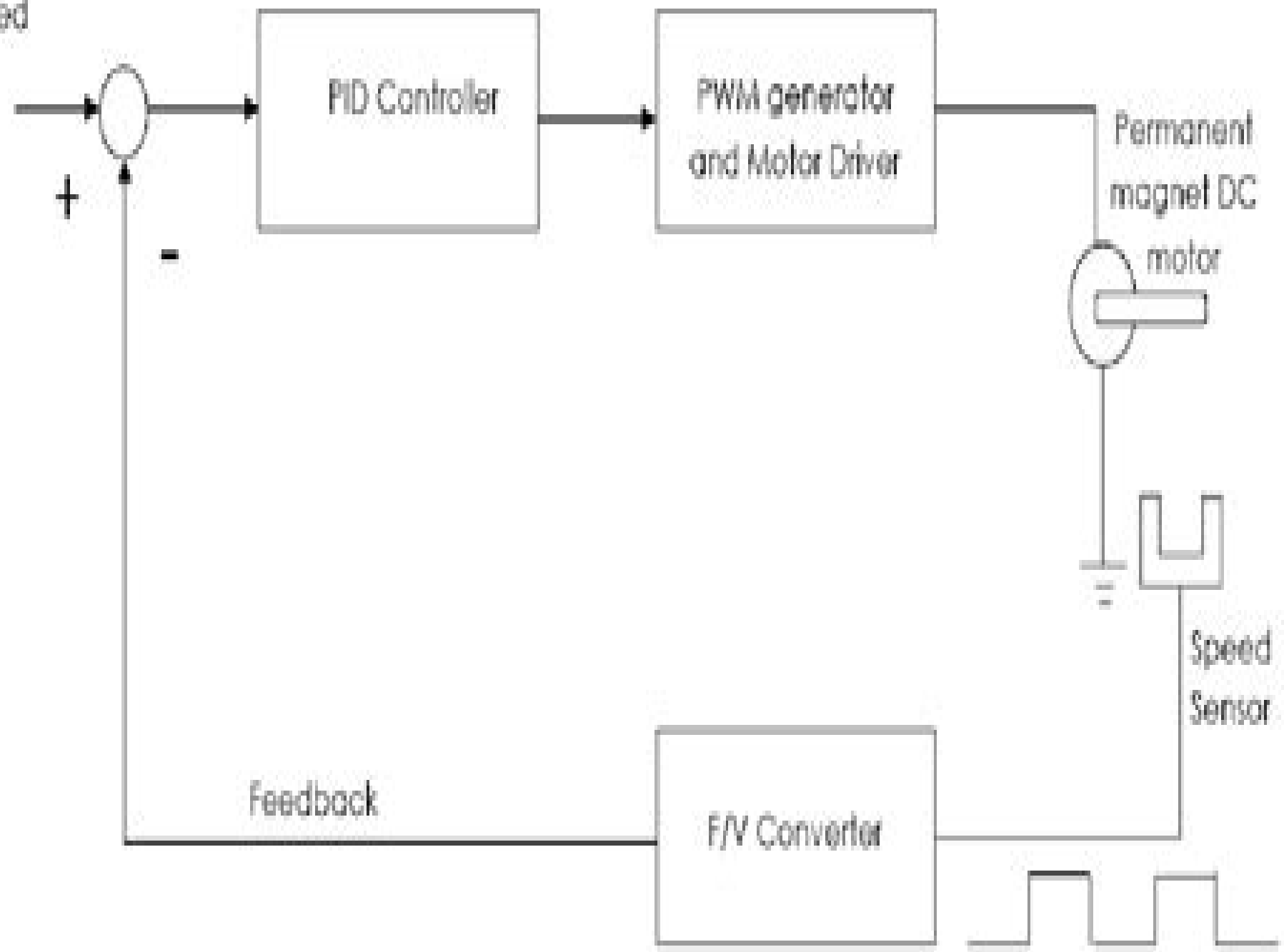



reference

Speed



Dc Motor Speed Control Using Pid Controllers

**Christos Volos, Jesus Manuel Munoz-
Pacheco**



Dc Motor Speed Control Using Pid Controllers:

PID Digital Controller for DC Motor Speed Using MC68HC11 Microcontroller Sharon Peterus,2008 The proportional integral derivative PID controllers are widely used in many industrial control systems for several decades since Ziegler and Nichols proposed their first PID tuning method This is because the PID controller structure is simple and its principle is easier to understand than most other advanced controllers On the other hand the general performance of PID controller is satisfactory in many applications For these reasons the majority of the controllers used in industry are of PI PID type PID controllers are widely used for process control applications requiring very precise and accurate control The purpose of the motor speed controller is to take a signal representing the demanded speed and to drive a motor at that speed The controller does not actually measure the speed of the motor Thus it is called an Open Loop Speed Controller Motors come in a variety of forms and the speed controller s motor drive output will be different dependent on these forms The speed controller presented here is designed to drive special dc motor which is not easily available anywhere in store thus it is a good example to be used due to the special characteristics and parameters Matlab Simulink is an important tool used it this project from designing the mathematical model of the dc motor obtaining the transfer function and designing the PID controller using both model and programming using m files The transfer function will be linearized and used for tuning the gain of PID controller like KP KI and KD Simulink is chosen to simulate the performance of the control system

Speed Control of DC Motor Using PID Controller Implementation with Visual Basic Nurul Izzati Pandak Jabo,2008 The project focused on speed control of DC motor The main objective is to design and develop GUI software for speed control experiment where PID controllers design approaches has been applied The controllers have been designed and the system is simulated using MATLAB to analyze their initial performance The computer is connected to DC Motor via data acquisition card DAQ Card and Visual Basic is used to conduct the experiment Field testing is implemented to compare the results between the original and modified system with the PID controller Finally the performance of the system is analyzed and validation is done in terms of time response robustness and percentage of error

Control and Information Sciences I. Thirunavukkarasu,Roshan Kumar,2024-10-28 This book presents the select proceedings of the Control Instrumentation and System Conference CISCON 2023 held at Manipal Institute of Technology MAHE Manipal It examines a broad spectrum covering the latest trends in instrumentation sensors and systems and industrial automation and control The topics covered include image and signal processing robotics renewable energy power systems and power drives performance attributes of MEMS multi sensor data fusion machine learning optimization techniques process control safety monitoring safety critical control supervisory control system modeling and virtual instrumentation The book is a valuable reference for researchers and professionals interested in sensors adaptive management automation and control and allied fields

Practical Control Engineering for Mechatronics and Automation Fernando Martell,Irma Y. Sanchez,2024-06-14 Production processes and

engineered systems use continuous and discrete variables as well as the combination of continuous and sequential operations. This volume covers both aspects thus providing knowledge in continuous and discrete control logic control and hybrid control systems. It is a compilation of selected control strategies to automate processes and systems with a practical approach to ease their design analysis and implementation. The selection of the control schemes is based on the capability to provide desired dynamical response or real time performance. Practicality is required for achieving faster development times of automation projects or system prototypes by comprehensive presentation and direct application of methodologies and techniques for efficient and structured programming of control algorithms. Considered methodologies include model based design hardware in the loop simulations and structured programming. Fundamental signals and systems concepts are explained. Systems and controllers are analyzed using discrete time equations which ease their implementation in most programmable platforms without requiring sophisticated software. PID based control, internal model control and model reference control are viewed as powerful schemes in terms of performance and suitability for mechatronics systems because of the use of the model in their architecture as a key control element. Finite state machines are presented to solve sequential requirements of direct and supervisory control of many processes and machines. Cyberphysical systems are an industrial technology and an education trend distinguished by visual and dynamic models or digital twins of the physical systems. The discussed analysis, design and implementation practices are integrated and applied in the context of cyberphysical systems. This book aims to provide multidisciplinary support to engineers and practitioners in the design of control systems and is a valuable tool for automation teaching and self learning.

Speed Control of DC Motor Using PID Controller Implementation with PLC

Muhammad Ezra-Ezwan Mat Aris, 2008. The idea of motor speed control is to keep the rotation of the motor at the set speed. When used in speed applications, speed feedback control the DC motor's speed or confirms that the motor is rotating at the desired speed. To maintain the speed it requires the speed feedback at all times. The objective of this project is to use the algorithm of Proportional Integral Derivative PID controller to control the speed of the DC motor using Programmable Logic Controller PLC implementation. The used of PLC in this project will help to reduce complexity and easy to troubleshoot. The model of PLC which is used in this project is OMRON CQM1H CPU51 and the program for this controller system is in ladder diagram CX programmer. The PID is implemented in the PLC program so that the system has a better response and less error. Finally analysis of the response is made after the PID is implemented into the system.

Fractional Calculus - From Theory to Applications Christos Volos, Jesus Manuel Munoz-Pacheco, 2025-05-28. Over the last decade research activity in the field of fractional calculus has surged resulting in applications across a wide range of scientific disciplines. From the physics of diffusion and transport phenomena to control theory and financial systems fractional calculus has proven valuable in numerous domains capturing the interest of the scientific community. Therefore this book comprises six chapters each with the purpose of providing a brief overview of the subject of fractional calculus and its recent developments in theory and

applications This book aims to serve as an updated and handy reference for university professors graduate students laboratory researchers as well as physicists and applied mathematicians who are interested in studying fractional calculus and its applications

Intelligent Algorithms for Analysis and Control of Dynamical Systems Rajesh Kumar,V. P. Singh,Akhilesh Mathur,2020-10-31 This book explores various intelligent algorithms including evolutionary algorithms swarm intelligence based algorithms for analysis and control of dynamical systems Both single input single output SISO and multi input multi output MIMO systems are explored for analysis and control purposes The applications of intelligent algorithm vary from approximation to optimal control design The applications of intelligent algorithms not only improve understanding of a dynamical system but also enhance the control efficacy The intelligent algorithms are now readily applied to all fields of control including linear control nonlinear control digital control optimal control etc The book also discusses the main benefits attained due to the application of algorithms to analyze and control

Optimization of Industrial Systems Dilbagh Panchal,Mohit Tyagi,Anish Sachdeva,Dragan Pamucar,2022-07-19 OPTIMIZATION of INDUSTRIAL SYSTEMS Including the latest industrial solution based practical applications this is the most comprehensive and up to date study of the optimization of industrial systems for engineers scientists students and other professionals In order to deal with societal challenges novel technologies play an important role For the advancement of technology it is essential to share innovative ideas and thoughts on a common platform where researchers across the globe meet together and revitalize their knowledge and skills to tackle the challenges that the world faces The high complexity of the issues related to societal interdisciplinary research is the key to future revolutions From research funders to journal editors policymakers to think tanks all seem to agree that the future of research lies outside disciplinary boundaries In such prevailing conditions various working scenarios conditions and strategies need to be optimized Optimization is a multidisciplinary term and its essence can be inculcated in any domain of business research and other associated working dynamics Globalization provides all around development and this development is impossible without technological contributions This volume s mission is at the core of industrial engineering All the manuscripts appended in this volume were double blind peer reviewed by committee members and the review team promising high quality research This book provides deep insights to its readers about the current scenarios and future advancements of industrial engineering

Proceedings of the International Conference on Systems, Control and Automation J. S. Lather,Arunesh Kumar Singh,Gangireddy Sushnigdha,2025-05-02 The book presents select proceedings of the First International Conference on Systems Control and Automation ICSCA 2023 held at the National Institute of Technology Kurukshetra It covers topics such as systems control and automation sensors robotics and automation signals analysis conditioning and monitoring circuits and systems computational intelligence and automation etc The book will be useful for researchers and professionals interested in the broad fields of automation

Proceedings of Second Doctoral Symposium on Computational Intelligence Deepak Gupta,Ashish Khanna,Vineet Kansal,Giancarlo Fortino,Aboul Ella

Hassanien,2021-09-19 This book features high quality research papers presented at Second Doctoral Symposium on Computational Intelligence DoSCI 2021 organized by Institute of Engineering and Technology IET AKTU Lucknow India on 6 March 2021 This book discusses the topics such as computational intelligence artificial intelligence deep learning evolutionary algorithms swarm intelligence fuzzy sets and vague sets rough set theoretic approaches quantum inspired computational intelligence hybrid computational intelligence machine learning computer vision soft computing distributed computing parallel and grid computing cloud computing high performance computing biomedical computing decision support and decision making **Manufacturing Science and Technology, ICMST2011** Wu Fan,2011-11-22 Selected peer reviewed papers from the 2011 International Conference on Manufacturing Science and Technology ICMST 2011 September 16 18 2011 Singapore **Instruments, Measurement, Electronics and Information Engineering** J.Z. Ma,2013-08-08 Selected peer reviewed papers from the 2013 International Conference on Precision Mechanical Instruments and Measurement Technology ICPMIMT 2013 May 25 26 2013 Shenyang Liaoning China **A DC Motor Controller Using PID Algorithm Implementation on PIC** Wan Robaah W Ahmad,2008 This project is about controlling the speed of DC servo motor by using Proportional Integral Derivative PID algorithm then implemented on Peripheral Interface Circuit PIC microcontroller The main objective of this project is to control the speed of DC servo motor at the demanded speed or to drive the motor at that speed The speed of a DC motor usually is directly proportional to the supply voltage So if we reduce the supply voltage from 12 Volts to 6 Volts the motor will run at half the speed It could be achieved by simply adjusting the voltage sent to the motor but this is quite inefficient to do So A PID controller becomes the best way to overcome this problem PID attempts to correct the error between a measured process variable and a desired setpoint by calculating and then outputting a corrective action that can adjust the process accordingly In this project the PID algorithm that is added to the system becomes a closed loop system A simulation using MATLAB software is implemented to tune PID algorithm by changing the value of Proportional gain K_p Integral gain K_i and Derivative gain K_d to get a speed of the motor which is less overshoot and increase settling time Then a PIC microcontroller is programmed by adding the value of tuned PID algorithm to control the speed of DC servo motor At the end of the project the speed of the DC servo motor should be maintain even the supply voltage is varied Information Technology Applications in Industry, Computer Engineering and Materials Science S.Z. Cai,Q.F. Zhang,2013-09-18 Selected peer reviewed papers from the 2013 3rd International Conference on Materials Science and Information Technology MSIT 2013 September 14 15 2013 Nanjing Jiangsu China **Emerging Trends in Advanced Science** S. Rama Reddy,Venkatesan Jamuna,Nagarajan Booma,Natesan Saritha,2014-08-28 Selected peer reviewed papers from the International Conference on Emerging Trends in Science Engineering and Technology ICETSET 2014 April 18 19 2014 Chennai India **Acceleration Slip Regulation (ASR) System Using PID-FI Controller** Hisao Matsuka,1997 **Speed Control of Interior Permanent Magnet Synchronous Machine** Jigneshkumar

Desai,2022-09-27 Document from the year 2022 in the subject Engineering General grade 12 language English abstract The creation of a simulation model for closed loop vector controlled IPMSM drive performance enhancement and speed control is described in this book By regulating the torque component of the current the model achieves superior speed tracking and rapid dynamic response under transient and steady state circumstances The control technique is used by both the proportional and integrated controllers in the PI controller Combining two independent controllers and reducing the shortcomings of each results in a more effective controller To offer optimal speed operation in the face of environmental changes load variations and structural disturbances the Fuzzy Logic Controller for PMSM must be properly constructed Using MATLAB Simulink this book gives a comprehensive simulation of an internal permanent magnet synchronous motor driving system Interior permanent magnet synchronous motors IPMSMs are used to improve machine performance and offer rapid torque response IPMSMs are utilised in low and medium power applications such as servos robotics variable speed motors electric vehicles and computer peripherals Because PM motor drives are becoming more popular simulation systems capable of handling motor drive simulations are in great demand Simulation tools can dynamically simulate motor drives in a visual environment saving money and time and easing the development of new systems

IEEE International Symposium on Industrial Electronics Proceedings ,2001 **IECI Annual Conference Proceedings** Industrial Electronics and Control Instrumentation Society (U.S.),1981 **Proceedings of the ... Midwest Symposium on Circuits and Systems** ,1995

This book delves into Dc Motor Speed Control Using Pid Controllers. Dc Motor Speed Control Using Pid Controllers is a crucial topic that needs to be grasped by everyone, from students and scholars to the general public. This book will furnish comprehensive and in-depth insights into Dc Motor Speed Control Using Pid Controllers, encompassing both the fundamentals and more intricate discussions.

1. The book is structured into several chapters, namely:
 - Chapter 1: Introduction to Dc Motor Speed Control Using Pid Controllers
 - Chapter 2: Essential Elements of Dc Motor Speed Control Using Pid Controllers
 - Chapter 3: Dc Motor Speed Control Using Pid Controllers in Everyday Life
 - Chapter 4: Dc Motor Speed Control Using Pid Controllers in Specific Contexts
 - Chapter 5: Conclusion
 2. In chapter 1, the author will provide an overview of Dc Motor Speed Control Using Pid Controllers. The first chapter will explore what Dc Motor Speed Control Using Pid Controllers is, why Dc Motor Speed Control Using Pid Controllers is vital, and how to effectively learn about Dc Motor Speed Control Using Pid Controllers.
 3. In chapter 2, this book will delve into the foundational concepts of Dc Motor Speed Control Using Pid Controllers. This chapter will elucidate the essential principles that must be understood to grasp Dc Motor Speed Control Using Pid Controllers in its entirety.
 4. In chapter 3, this book will examine the practical applications of Dc Motor Speed Control Using Pid Controllers in daily life. The third chapter will showcase real-world examples of how Dc Motor Speed Control Using Pid Controllers can be effectively utilized in everyday scenarios.
 5. In chapter 4, the author will scrutinize the relevance of Dc Motor Speed Control Using Pid Controllers in specific contexts. The fourth chapter will explore how Dc Motor Speed Control Using Pid Controllers is applied in specialized fields, such as education, business, and technology.
 6. In chapter 5, this book will draw a conclusion about Dc Motor Speed Control Using Pid Controllers. This chapter will summarize the key points that have been discussed throughout the book.
- The book is crafted in an easy-to-understand language and is complemented by engaging illustrations. This book is highly recommended for anyone seeking to gain a comprehensive understanding of Dc Motor Speed Control Using Pid Controllers.

<https://py.bijouxmedusa.com/About/virtual-library/default.aspx/ideas%20usa%2096%201449%20machine%20learning%20basics%20ideas%20for%20startups%2096%202807.pdf>

Table of Contents Dc Motor Speed Control Using Pid Controllers

1. Understanding the eBook Dc Motor Speed Control Using Pid Controllers
 - The Rise of Digital Reading Dc Motor Speed Control Using Pid Controllers
 - Advantages of eBooks Over Traditional Books
2. Identifying Dc Motor Speed Control Using Pid Controllers
 - Exploring Different Genres
 - Considering Fiction vs. Non-Fiction
 - Determining Your Reading Goals
3. Choosing the Right eBook Platform
 - Popular eBook Platforms
 - Features to Look for in an Dc Motor Speed Control Using Pid Controllers
 - User-Friendly Interface
4. Exploring eBook Recommendations from Dc Motor Speed Control Using Pid Controllers
 - Personalized Recommendations
 - Dc Motor Speed Control Using Pid Controllers User Reviews and Ratings
 - Dc Motor Speed Control Using Pid Controllers and Bestseller Lists
5. Accessing Dc Motor Speed Control Using Pid Controllers Free and Paid eBooks
 - Dc Motor Speed Control Using Pid Controllers Public Domain eBooks
 - Dc Motor Speed Control Using Pid Controllers eBook Subscription Services
 - Dc Motor Speed Control Using Pid Controllers Budget-Friendly Options
6. Navigating Dc Motor Speed Control Using Pid Controllers eBook Formats
 - ePub, PDF, MOBI, and More
 - Dc Motor Speed Control Using Pid Controllers Compatibility with Devices
 - Dc Motor Speed Control Using Pid Controllers Enhanced eBook Features
7. Enhancing Your Reading Experience
 - Adjustable Fonts and Text Sizes of Dc Motor Speed Control Using Pid Controllers
 - Highlighting and Note-Taking Dc Motor Speed Control Using Pid Controllers
 - Interactive Elements Dc Motor Speed Control Using Pid Controllers

8. Staying Engaged with Dc Motor Speed Control Using Pid Controllers
 - Joining Online Reading Communities
 - Participating in Virtual Book Clubs
 - Following Authors and Publishers Dc Motor Speed Control Using Pid Controllers
9. Balancing eBooks and Physical Books Dc Motor Speed Control Using Pid Controllers
 - Benefits of a Digital Library
 - Creating a Diverse Reading Collection Dc Motor Speed Control Using Pid Controllers
10. Overcoming Reading Challenges
 - Dealing with Digital Eye Strain
 - Minimizing Distractions
 - Managing Screen Time
11. Cultivating a Reading Routine Dc Motor Speed Control Using Pid Controllers
 - Setting Reading Goals Dc Motor Speed Control Using Pid Controllers
 - Carving Out Dedicated Reading Time
12. Sourcing Reliable Information of Dc Motor Speed Control Using Pid Controllers
 - Fact-Checking eBook Content of Dc Motor Speed Control Using Pid Controllers
 - Distinguishing Credible Sources
13. Promoting Lifelong Learning
 - Utilizing eBooks for Skill Development
 - Exploring Educational eBooks
14. Embracing eBook Trends
 - Integration of Multimedia Elements
 - Interactive and Gamified eBooks

Dc Motor Speed Control Using Pid Controllers Introduction

In this digital age, the convenience of accessing information at our fingertips has become a necessity. Whether its research papers, eBooks, or user manuals, PDF files have become the preferred format for sharing and reading documents. However, the cost associated with purchasing PDF files can sometimes be a barrier for many individuals and organizations. Thankfully, there are numerous websites and platforms that allow users to download free PDF files legally. In this article, we will explore some of the best platforms to download free PDFs. One of the most popular platforms to download free PDF files is Project

Gutenberg. This online library offers over 60,000 free eBooks that are in the public domain. From classic literature to historical documents, Project Gutenberg provides a wide range of PDF files that can be downloaded and enjoyed on various devices. The website is user-friendly and allows users to search for specific titles or browse through different categories. Another reliable platform for downloading Dc Motor Speed Control Using Pid Controllers free PDF files is Open Library. With its vast collection of over 1 million eBooks, Open Library has something for every reader. The website offers a seamless experience by providing options to borrow or download PDF files. Users simply need to create a free account to access this treasure trove of knowledge. Open Library also allows users to contribute by uploading and sharing their own PDF files, making it a collaborative platform for book enthusiasts. For those interested in academic resources, there are websites dedicated to providing free PDFs of research papers and scientific articles. One such website is Academia.edu, which allows researchers and scholars to share their work with a global audience. Users can download PDF files of research papers, theses, and dissertations covering a wide range of subjects. Academia.edu also provides a platform for discussions and networking within the academic community. When it comes to downloading Dc Motor Speed Control Using Pid Controllers free PDF files of magazines, brochures, and catalogs, Issuu is a popular choice. This digital publishing platform hosts a vast collection of publications from around the world. Users can search for specific titles or explore various categories and genres. Issuu offers a seamless reading experience with its user-friendly interface and allows users to download PDF files for offline reading. Apart from dedicated platforms, search engines also play a crucial role in finding free PDF files. Google, for instance, has an advanced search feature that allows users to filter results by file type. By specifying the file type as "PDF," users can find websites that offer free PDF downloads on a specific topic. While downloading Dc Motor Speed Control Using Pid Controllers free PDF files is convenient, it's important to note that copyright laws must be respected. Always ensure that the PDF files you download are legally available for free. Many authors and publishers voluntarily provide free PDF versions of their work, but it's essential to be cautious and verify the authenticity of the source before downloading Dc Motor Speed Control Using Pid Controllers. In conclusion, the internet offers numerous platforms and websites that allow users to download free PDF files legally. Whether it's classic literature, research papers, or magazines, there is something for everyone. The platforms mentioned in this article, such as Project Gutenberg, Open Library, Academia.edu, and Issuu, provide access to a vast collection of PDF files. However, users should always be cautious and verify the legality of the source before downloading Dc Motor Speed Control Using Pid Controllers any PDF files. With these platforms, the world of PDF downloads is just a click away.

FAQs About Dc Motor Speed Control Using Pid Controllers Books

How do I know which eBook platform is the best for me? Finding the best eBook platform depends on your reading preferences and device compatibility. Research different platforms, read user reviews, and explore their features before making a choice. Are free eBooks of good quality? Yes, many reputable platforms offer high-quality free eBooks, including classics and public domain works. However, make sure to verify the source to ensure the eBook credibility. Can I read eBooks without an eReader? Absolutely! Most eBook platforms offer webbased readers or mobile apps that allow you to read eBooks on your computer, tablet, or smartphone. How do I avoid digital eye strain while reading eBooks? To prevent digital eye strain, take regular breaks, adjust the font size and background color, and ensure proper lighting while reading eBooks. What the advantage of interactive eBooks? Interactive eBooks incorporate multimedia elements, quizzes, and activities, enhancing the reader engagement and providing a more immersive learning experience. Dc Motor Speed Control Using Pid Controllers is one of the best book in our library for free trial. We provide copy of Dc Motor Speed Control Using Pid Controllers in digital format, so the resources that you find are reliable. There are also many Ebooks of related with Dc Motor Speed Control Using Pid Controllers. Where to download Dc Motor Speed Control Using Pid Controllers online for free? Are you looking for Dc Motor Speed Control Using Pid Controllers PDF? This is definitely going to save you time and cash in something you should think about. If you trying to find then search around for online. Without a doubt there are numerous these available and many of them have the freedom. However without doubt you receive whatever you purchase. An alternate way to get ideas is always to check another Dc Motor Speed Control Using Pid Controllers. This method for see exactly what may be included and adopt these ideas to your book. This site will almost certainly help you save time and effort, money and stress. If you are looking for free books then you really should consider finding to assist you try this. Several of Dc Motor Speed Control Using Pid Controllers are for sale to free while some are payable. If you arent sure if the books you would like to download works with for usage along with your computer, it is possible to download free trials. The free guides make it easy for someone to free access online library for download books to your device. You can get free download on free trial for lots of books categories. Our library is the biggest of these that have literally hundreds of thousands of different products categories represented. You will also see that there are specific sites catered to different product types or categories, brands or niches related with Dc Motor Speed Control Using Pid Controllers. So depending on what exactly you are searching, you will be able to choose e books to suit your own need. Need to access completely for Campbell Biology Seventh Edition book? Access Ebook without any digging. And by having access to our ebook online or by storing it on your computer, you have convenient answers with Dc Motor Speed Control Using Pid Controllers To get started finding Dc Motor Speed Control Using Pid Controllers, you are right to find our website which has a comprehensive collection of books online. Our library is the biggest of these that have literally hundreds of thousands of different products represented. You will also see that there are

specific sites catered to different categories or niches related with Dc Motor Speed Control Using Pid Controllers So depending on what exactly you are searching, you will be able to choose ebook to suit your own need. Thank you for reading Dc Motor Speed Control Using Pid Controllers. Maybe you have knowledge that, people have search numerous times for their favorite readings like this Dc Motor Speed Control Using Pid Controllers, but end up in harmful downloads. Rather than reading a good book with a cup of coffee in the afternoon, instead they juggled with some harmful bugs inside their laptop. Dc Motor Speed Control Using Pid Controllers is available in our book collection an online access to it is set as public so you can download it instantly. Our digital library spans in multiple locations, allowing you to get the most less latency time to download any of our books like this one. Merely said, Dc Motor Speed Control Using Pid Controllers is universally compatible with any devices to read.

Find Dc Motor Speed Control Using Pid Controllers :

~~ideas USA 96-1449 machine learning basics ideas for startups 96-2807~~
monetization tools for small business 96-1089 blog monetization tools
explained United States 96-2348 business automation explained for
96-841 AI marketing software for small business 96-1575 AI marketing
entrepreneurs 96-2313 career growth step by step for small business
examples America 96-795 ecommerce trends examples for creators 96-568
step by step for startups 96-2557 luxury travel strategies for
budget travel tips for startups 96-1827 budget travel tools USA 96-2145
small business 96-660 blog monetization tools America 96-2392 blog
business blueprint USA 96-2209 dropshipping business blueprint United
crypto investing apps America 96-1540 crypto investing apps for small
software for creators 96-2880 online business software for entrepreneurs
96-268 print on demand step by step for small business 96-880 print on
practices United States 96-1913 cybersecurity best practices for small
~~marketing roadmap USA 96-735 digital marketing roadmap United States~~

Dc Motor Speed Control Using Pid Controllers :

writing better lyrics pattison pat free download borrow and - Jun 15 2022

web writing better lyrics by pattison pat publication date 2001 topics composition orchestration creative writing guides musical scores lyrics libretti vocal music texts popular music reference music songbooks writing skills instruction study songwriting lyric writing popular music technique publisher

writing better lyrics by pat pattison 9781582975771 - Feb 23 2023

web featuring updated and expanded chapters 50 fun songwriting exercises and examples from more than 20 chart toppings songs writing better lyrics gives you all of the professional and creative insight you need to write powerful lyrics and put your songs in the spotlight where they belong

pat pattison writing better lyrics sound on sound - Dec 21 2022

web thoroughly broken for pattison prosody the right relationship between form and content first observed in great works of art by the poet aristotle is key whatever you are saying all of the elements should support it

writing better lyrics by pat pattison paperback barnes noble - Jan 10 2022

web jan 8 2010 the must have guide for songwriters writing better lyrics has been a staple for songwriters for nearly two decades now this revised and updated 2nd edition provides effective tools for everything from generating ideas to understanding the form and function of a song to fine tuning lyrics

writing better lyrics e kitap pat pattison pdf d r - May 26 2023

web bir pat pattison eseri olan writing better lyrics e kitap olarak en cazip fiyat ile d r de keşfetmek için hemen tıklayınız

[5 steps to writing better lyrics reverbnation blog](#) - Jul 16 2022

web aug 22 2018 but every great lyricist started somewhere and becoming a good lyricist like any other craft is the result of study and lots of practice here are five of the best practices to get you writing better lyrics today read and write poetry

writing better lyrics kindle edition amazon com - Apr 25 2023

web dec 11 2009 the must have guide for songwriters writing better lyrics has been a staple for songwriters for nearly two decades now this revised and updated 2nd edition provides effective tools for everything from generating ideas to understanding the form and function of a song to fine tuning lyrics

writing better lyrics the essential guide to powerful songwriting - Feb 11 2022

web writing better lyrics the essential guide to powerful songwriting by pattison pat publication date 2009 topics lyric writing popular music publisher cincinnati writer s digest books collection printdisabled internetarchivebooks contributor internet archive language english

writing better lyrics the essential guide to powerful songwriting - Oct 19 2022

web the must have guide for songwriters writing better lyrics has been a staple for songwriters for nearly two decades now this revised and updated 2nd edition provides effective tools for everything from generating ideas to understanding the form

and function of a song to fine tuning lyrics

[how to write better lyrics berklee online take note](#) - Mar 12 2022

web nov 12 2015 how to write better lyrics by andrea stolpe in my opinion the most powerful tool a songwriter has is the ability to write using sensory language sensory language is the language that uses touch taste sight sound smell and movement

[writing better lyrics pattison pat 0035313646447](#) - Aug 29 2023

web jan 8 2010 perfect for new and experienced songwriters alike this time tested classic covers the basics in addition to more advanced techniques songwriters will discover how to use sense bound imagery to enhance a song s emotional impact on listeners techniques for avoiding clichés and creating imaginative metaphors and similes ways

writing better lyrics writer s digest - Nov 20 2022

web oct 26 2009 featuring updated and expanded chapters 50 fun songwriting exercises and examples from more than 25 chart topping songs writing better lyrics gives you all of the professional and creative insight you need to write powerful lyrics and put your songs in the spotlight where they belong

[writing better lyrics the essential guide to powerful songwriting](#) - Jan 22 2023

web writing better lyrics the essential guide to powerful songwriting amazon co uk pattison pat 0035313646447 books arts photography music music theory composition performance kindle edition 9 49 available instantly paperback 13 09 other used and new from 12 21 buy new 13 09 rrp 16 79 save 3 70 22

how to write better lyrics 8 tips for your songwriting splice - Aug 17 2022

web mar 12 2021 routines process how to write better lyrics 8 tips for your songwriting illustration laura bee have you ever tried writing your own lyrics i like to think that music fans fall into one of two camps those who listen to songs without paying much attention to the lyrics and those for whom lyrics can make or break a song

writing better lyrics pat pattison google books - Mar 24 2023

web dec 11 2009 the must have guide for songwriters writing better lyrics has been a staple for songwriters for nearly two decades now this revised and updated 2nd edition provides effective tools for

[writing better lyrics pat pattison google books](#) - Jun 27 2023

web sep 15 1995 bibtex endnote refman in a lighthearted engaging way pat pattison shows how a detailed songwriting process can become second nature until every lyric you write is powerful and professional

[writing better lyrics pattison pat amazon com tr kitap](#) - Jul 28 2023

web writing better lyrics kağıt kapak 26 Şubat 2010 İngilizce baskı pat pattison eser sahibi 1 436 değerlendirme tüm biçimleri ve sürümleri görün ciltsiz 719 93 tl 4 yeni başlangıç fiyatı 683 47 tl 6 aya varan taksit seçenekleri taksitler

writing better lyrics by pat pattison goodreads - Apr 13 2022

web sep 15 1995 324 writing better lyrics pat pattison music 1995 barack 2021 04 13 writing better lyrics first edition in 1995 it mainly discusses the method of writing lyrics which involves the creation of lyrics inspiration to the creation of lyrics and so on pat pattison born in the united states

book review writing better lyrics second edition - Sep 18 2022

web jun 25 2021 writing better lyrics is a how to guide to bringing meaning out of every aspect of your lyrics pattison goes through the songwriting process in depth how to come up with ideas how to expand on them and how to convey them most effectively not only does he go through language techniques such as rhyme metaphors and cliches but

writing better lyrics by pat pattison ebook scribd - May 14 2022

web the must have guide for songwriters writing better lyrics has been a staple for songwriters for nearly two decades now this revised and updated 2nd edition provides effective tools for everything from generating ideas to understanding the form and function of a song to fine tuning lyrics perfect for new and experienced songwriters alike this

biology interactive reader 9780618725595 solutions and - Jul 13 2023

web find step by step solutions and answers to biology interactive reader 9780618725595 as well as thousands of textbooks so you can move forward with confidence

biology interactive reader 9780618725595 exercise 3 quizlet - May 11 2023

web find step by step solutions and answers to exercise 3 from biology interactive reader 9780618725595 as well as thousands of textbooks so you can move forward with

biology interactive reader answer key thebookee net - Aug 02 2022

web biology interactive reader answer key list of ebooks and manuels about biology interactive reader answer key

hmh biology interactive reader answer key the curriculum store - Nov 05 2022

web hmh biology interactive reader answer key modern curriculum press 1st grade mcp plaid phonics level a student book 14 50 13 25 modern curriculum press 3rd grade

holt biology interactive reader answer key r i n e h a r t a - Oct 24 2021

web mar 1 2022 holt biology interactive reader answer key r i n e h a r t a n d w i n s t o n h o l t gabbriello deluca by sage young 1 of 5 stars 2 of 5 stars 3 of 5 stars

holt mcdougal biology interactive reader answer key - Sep 03 2022

web aug 2 2011 holt mcdougal biology interactive reader answer key by holt mcdougal paperback see all available copies see all available copies share buy

holt mcdougal biology interactive reader answer key - May 31 2022

web aug 2 2011 holt mcdougal biology interactive reader answer key 1st edition holt mcdougal biology interactive reader answer key 1st edition by holt mcdougal

[holt biology interactive reader answer key r i n e h a r t a](#) - Jan 27 2022

web open education analytics oea is an open source community coordinated by microsoft education we collaborate with education systems across the world to develop modern

[biology interactive reader 1st edition solutions and answers](#) - Aug 14 2023

web our resource for biology interactive reader includes answers to chapter exercises as well as detailed information to walk you through the process step by step with expert

biology interactive reader chapter 10 answers harvard university - Dec 26 2021

web its more or less what you compulsion currently this biology interactive reader chapter 10 answers as one of the most practicing sellers here will utterly be in the course of the

biology interactive reader answer book - Feb 25 2022

web biology interactive reader answer differentiated literacy strategies for english language learners grades k 6 jul 03 2021 physics interactive reader jun 02 2021

biology interactive reader hmh chapter 4 flashcards quizlet - Jan 07 2023

web 1 25 created by teacher noland key concepts cellular respiration second stage of cellular respiration chemical energy terms in this set 25 food it contains sugar and

mcdougal littell biology interactive reader answer key - Oct 04 2022

web biology interactive reader 9780618725595 solutions and answers find step by step solutions and answers to biology interactive reader 9780618725595 as well as

holt mcdougal biology interactive reader pdf free download - Jul 01 2022

web merely said the holt mcdougal biology interactive reader answer key paperback 2011 author holt mcdougal is universally compatible bearing in mind any devices to read holt

biology interactive reader hmh chapter 1 flashcards quizlet - Mar 09 2023

web start studying biology interactive reader hmh chapter 1 learn vocabulary terms and more with flashcards games and other study tools

[holt biology interactive reader answer key google books](#) - Dec 06 2022

web holt biology interactive reader answer key holt rinehart winston houghton mifflin harcourt publishing company 2008 48 pages 0 reviews reviews aren t verified but

holt mcdougal biology interactive reader by holt mcdougal - Nov 24 2021

web dec 31 2010 holt mcdougal biology interactive reader by holt mcdougal and a great selection of related books art and collectibles available now at abebooks com

holt mcdougal biology interactive reader answer key powell s - Apr 29 2022

web holt mcdougal biology interactive reader answer key by holt mcdougal available in trade paperback on powells com also read synopsis and reviews

section 6 1 chromosomes and meiosis weebly - Mar 29 2022

web teacher notes and answers section 1 instant replay germ1 cells male2 interactive reader 93 6a 6g do not edit changes must be made through file info

biology interactive reader 9780618725595 exercise 7 quizlet - Jun 12 2023

web find step by step solutions and answers to exercise 7 from biology interactive reader 9780618725595 as well as thousands of textbooks so you can move forward with

biology riddles with answers to solve puzzles - Sep 22 2021

web here s a list of related tags to browse tumblr riddles funny riddles for adults biology riddles life riddles examples of riddles hard brain teasers biology riddles

biology 9780547586663 solutions and answers quizlet - Feb 08 2023

web find step by step solutions and answers to biology 9780547586663 as well as thousands of textbooks so you can move forward with confidence

holt mcdougal biology interactive reader answer key - Apr 10 2023

web holt mcdougal biology author holt mcdougal editor holt mcdougal publisher houghton mifflin 2011 isbn 0547687729 9780547687728

grosse fantasie aus hoffmanns erzählungen iv teil - May 31 2022

web dec 3 2017 an icon used to represent a menu that can be toggled by interacting with this icon

fantasie in blau erzählungen pdf trilhoscacao - Dec 26 2021

web fantasie in blau erzählungen pdf download web book fantasie in blau erzählungen pdf books this is the book you are looking for from the many other titles of fantasie in blau

fantasie in blau picture 137237787 blingee com - Oct 24 2021

web fantasy in blue fantasie in blau picture created by 3mam7 7 using the free blingee photo editor for animation design fantasie in blue fantasie in blau pics for ecards

fantasie in blau erzählungen wrbb neu edu - Feb 25 2022

web fantasie in blau erzählungen what you next to read fantasie in blau erzählungen 2020 12 12 darion jaelyn die kleine insel

unserer fantasie createspace

fantasie in blau erzählungen doblespacio uchile cl - Jan 27 2022

web thank you certainly much for downloading fantasie in blau erzählungen maybe you have knowledge that people have look numerous time for their favorite books later this

fantasie in blau erzählungen pdf - Mar 29 2022

web fantasie in blau erzählungen pdf as recognized adventure as well as experience just about lesson amusement as competently as pact can be gotten by just checking out a

details about fantasie in blau erzählungen fotos v tretyakova - Nov 24 2021

web find many great new used options and get the best deals for fantasie in blau erzählungen fotos v tretyakova svetlana nachw v bra at the best online prices at

fantasie in blau erzählungen by tatjana geringas - May 11 2023

web nele heyse liest tatjana geringas fantasie in blau may 31st 2020 nele heyse liest tatjana geringas fantasie in blau erzählungen covid 19 many events have been canceled or

fantasie in blau erzählungen 9783963112478 amazon com au - Feb 08 2023

web fantasie in blau erzählungen on amazon com au free shipping on eligible orders fantasie in blau erzählungen

fantasie in blau erzählungen taschenbuch 1 dezember 2019 - Apr 10 2023

web fantasie in blau erzählungen tatjana geringas isbn 9783963112478 kostenloser versand für alle bücher mit versand und verkauf durch amazon

fantasie in blau erzählungen by tatjana geringas 9783963112478 - Jan 07 2023

web find many great new used options and get the best deals for fantasie in blau erzählungen by tatjana geringas 9783963112478 at the best online prices at ebay

fantasie in blau erzählungen paperback amazon co uk - Jun 12 2023

web buy fantasie in blau erzählungen by isbn 9783963112478 from amazon s book store everyday low prices and free delivery on eligible orders

fantasie in blau erzählungen copy - Jul 13 2023

web blau mit goldenen streifen nov 29 2021 fantasie in blau feb 13 2023 gefühlvolle erzählungen einer großen pianistin tatjana geringas erzählungen handeln vom

fantasie in blau erzählungen pdf pdf - Sep 03 2022

web the pronouncement fantasie in blau erzählungen pdf that you are looking for it will no question squander the time however below when you visit this web page it will be

fantasie in blau erzählungen 50storiesfortomorrow ilfu com - Aug 14 2023

web the pages of fantasie in blau erzählungen a wonderful fictional value full of natural emotions lies an immersive symphony waiting to be embraced crafted by an elegant

[pdf fantasie in blau erzählungen](#) - Dec 06 2022

web fantasie in blau erzählungen translating canada dec 31 2021 in the last thirty years of the twentieth century canadian federal governments offered varying degrees of support

fantasie in blau erzählungen by tatjana geringas - Aug 02 2022

web april 9th 2020 die erzählungen handeln von dreiecksbeziehungen oder trennungen sie thematisieren beziehungen die von jeher lediglich in der fantasie existierten es sind

fantasie in blau erzählungen pdf free support ortax - Apr 29 2022

web introduction fantasie in blau erzählungen pdf free title fantasie in blau erzählungen pdf free support ortax org created date 9 6 2023 5 41 13 am

fantasie in blau erzählungen by tatjana geringas - Sep 22 2021

web bradbury die mars chroniken roman in erzählungen lesen sie die kleine insel unserer fantasie von susanne fantasie erzählung 6 klasse deutsch text schreiben erzählungen

[fantasy in blue 1991 filmi sinemalar com](#) - Nov 05 2022

web fantasy in blue filminin özeti yorumları oyuncular ve seansları hakkında bilgilere ulaşmak film fragmanını izlemek için tıklayın

back button worldcat org - Oct 04 2022

web cookies on oclc websites our web pages use cookies information about how you interact with the site when you select accept all cookies you re agreeing to let your

fantasie in blau erzählungen pdf download only - Jul 01 2022

web apr 5 2023 as this fantasie in blau erzählungen pdf it ends up subconscious one of the favored ebook fantasie in blau erzählungen pdf collections that we have this is why

[fantasie in blau erzählungen pdf download](#) - Mar 09 2023

web here download and read online fantasie in blau erzählungen pdf book file easily for everyone or every device and also you can download or readonline all file pdf book