

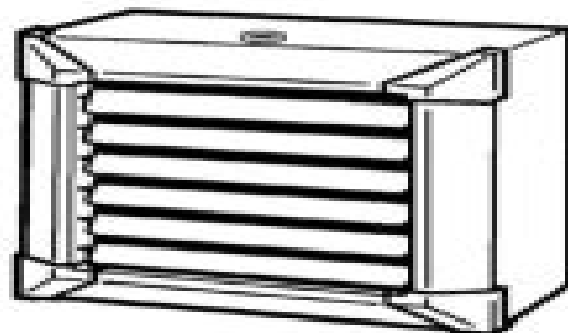
**MANUALE DI INSTALLAZIONE
E MANUTENZIONE
DEGLI AEROTERMI**

**INSTALLATION
AND MAINTENANCE MANUAL
FOR UNIT HEATERS**

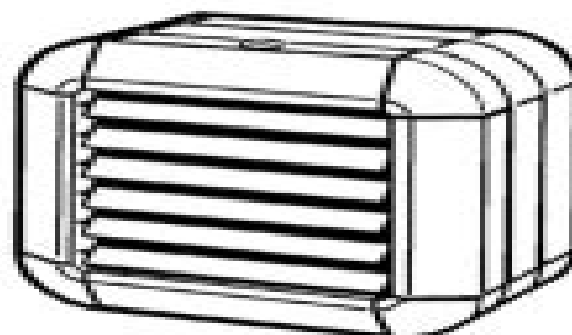
**INSTALLATIONS-
UND WARTUNGSMANUAL
FÜR LUFTHEIZER**

**MANUEL D'INSTALLATION
ET D'ENTRETIEN
DES AEROTHERMES**

**MANUAL DE INSTALACION
Y MANTENIMIENTO
DE LOS AEROTERMOS**



ATLAS



HELIOS



SABIANA

IL CLIMA AMICO

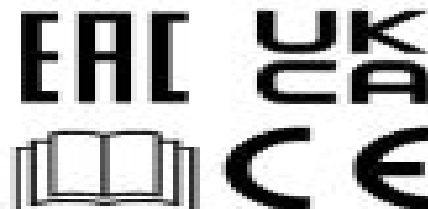
A company of Arbonia Group

ARBONIA

Via Piave, 53 - 20013 Corbetta (MI) - ITALY

Tel. +39.02.97203.3 ric. autom. - Fax +39.02.977282 - +39.02.9772820

E-mail: info@sabiana.it - Internet: www.sabiana.it



11/2023

Cod. 4050380

Helios Data Sheet Pdf Sabiana

Tobias Bleicker

A decorative graphic element consisting of a light blue horizontal bar with a rounded right end, and a red circular glow behind it.

Helios Data Sheet Pdf Sabiana:

Discover tales of courage and bravery in Crafted by is empowering ebook, Unleash Courage in **Helios Data Sheet Pdf Sabiana** . In a downloadable PDF format (*), this collection inspires and motivates. Download now to witness the indomitable spirit of those who dared to be brave.

https://py.bijouxmedusa.com/results/browse/HomePages/comprehensive_biochemistry_volume_10.pdf

Table of Contents Helios Data Sheet Pdf Sabiana

1. Understanding the eBook Helios Data Sheet Pdf Sabiana
 - The Rise of Digital Reading Helios Data Sheet Pdf Sabiana
 - Advantages of eBooks Over Traditional Books
2. Identifying Helios Data Sheet Pdf Sabiana
 - Exploring Different Genres
 - Considering Fiction vs. Non-Fiction
 - Determining Your Reading Goals
3. Choosing the Right eBook Platform
 - Popular eBook Platforms
 - Features to Look for in an Helios Data Sheet Pdf Sabiana
 - User-Friendly Interface
4. Exploring eBook Recommendations from Helios Data Sheet Pdf Sabiana
 - Personalized Recommendations
 - Helios Data Sheet Pdf Sabiana User Reviews and Ratings
 - Helios Data Sheet Pdf Sabiana and Bestseller Lists
5. Accessing Helios Data Sheet Pdf Sabiana Free and Paid eBooks
 - Helios Data Sheet Pdf Sabiana Public Domain eBooks
 - Helios Data Sheet Pdf Sabiana eBook Subscription Services
 - Helios Data Sheet Pdf Sabiana Budget-Friendly Options
6. Navigating Helios Data Sheet Pdf Sabiana eBook Formats

- ePub, PDF, MOBI, and More
 - Helios Data Sheet Pdf Sabiana Compatibility with Devices
 - Helios Data Sheet Pdf Sabiana Enhanced eBook Features
7. Enhancing Your Reading Experience
 - Adjustable Fonts and Text Sizes of Helios Data Sheet Pdf Sabiana
 - Highlighting and Note-Taking Helios Data Sheet Pdf Sabiana
 - Interactive Elements Helios Data Sheet Pdf Sabiana
 8. Staying Engaged with Helios Data Sheet Pdf Sabiana
 - Joining Online Reading Communities
 - Participating in Virtual Book Clubs
 - Following Authors and Publishers Helios Data Sheet Pdf Sabiana
 9. Balancing eBooks and Physical Books Helios Data Sheet Pdf Sabiana
 - Benefits of a Digital Library
 - Creating a Diverse Reading Collection Helios Data Sheet Pdf Sabiana
 10. Overcoming Reading Challenges
 - Dealing with Digital Eye Strain
 - Minimizing Distractions
 - Managing Screen Time
 11. Cultivating a Reading Routine Helios Data Sheet Pdf Sabiana
 - Setting Reading Goals Helios Data Sheet Pdf Sabiana
 - Carving Out Dedicated Reading Time
 12. Sourcing Reliable Information of Helios Data Sheet Pdf Sabiana
 - Fact-Checking eBook Content of Helios Data Sheet Pdf Sabiana
 - Distinguishing Credible Sources
 13. Promoting Lifelong Learning
 - Utilizing eBooks for Skill Development
 - Exploring Educational eBooks
 14. Embracing eBook Trends
 - Integration of Multimedia Elements
 - Interactive and Gamified eBooks

Helios Data Sheet Pdf Sabiana Introduction

In today's digital age, the availability of Helios Data Sheet Pdf Sabiana books and manuals for download has revolutionized the way we access information. Gone are the days of physically flipping through pages and carrying heavy textbooks or manuals. With just a few clicks, we can now access a wealth of knowledge from the comfort of our own homes or on the go. This article will explore the advantages of Helios Data Sheet Pdf Sabiana books and manuals for download, along with some popular platforms that offer these resources. One of the significant advantages of Helios Data Sheet Pdf Sabiana books and manuals for download is the cost-saving aspect. Traditional books and manuals can be costly, especially if you need to purchase several of them for educational or professional purposes. By accessing Helios Data Sheet Pdf Sabiana versions, you eliminate the need to spend money on physical copies. This not only saves you money but also reduces the environmental impact associated with book production and transportation. Furthermore, Helios Data Sheet Pdf Sabiana books and manuals for download are incredibly convenient. With just a computer or smartphone and an internet connection, you can access a vast library of resources on any subject imaginable. Whether you're a student looking for textbooks, a professional seeking industry-specific manuals, or someone interested in self-improvement, these digital resources provide an efficient and accessible means of acquiring knowledge. Moreover, PDF books and manuals offer a range of benefits compared to other digital formats. PDF files are designed to retain their formatting regardless of the device used to open them. This ensures that the content appears exactly as intended by the author, with no loss of formatting or missing graphics. Additionally, PDF files can be easily annotated, bookmarked, and searched for specific terms, making them highly practical for studying or referencing. When it comes to accessing Helios Data Sheet Pdf Sabiana books and manuals, several platforms offer an extensive collection of resources. One such platform is Project Gutenberg, a nonprofit organization that provides over 60,000 free eBooks. These books are primarily in the public domain, meaning they can be freely distributed and downloaded. Project Gutenberg offers a wide range of classic literature, making it an excellent resource for literature enthusiasts. Another popular platform for Helios Data Sheet Pdf Sabiana books and manuals is Open Library. Open Library is an initiative of the Internet Archive, a non-profit organization dedicated to digitizing cultural artifacts and making them accessible to the public. Open Library hosts millions of books, including both public domain works and contemporary titles. It also allows users to borrow digital copies of certain books for a limited period, similar to a library lending system. Additionally, many universities and educational institutions have their own digital libraries that provide free access to PDF books and manuals. These libraries often offer academic texts, research papers, and technical manuals, making them invaluable resources for students and researchers. Some notable examples include MIT OpenCourseWare, which offers free access to course materials from the Massachusetts Institute of Technology, and the Digital Public Library of America, which provides a vast collection of digitized books and historical documents. In conclusion, Helios Data Sheet Pdf Sabiana books and manuals for download

have transformed the way we access information. They provide a cost-effective and convenient means of acquiring knowledge, offering the ability to access a vast library of resources at our fingertips. With platforms like Project Gutenberg, Open Library, and various digital libraries offered by educational institutions, we have access to an ever-expanding collection of books and manuals. Whether for educational, professional, or personal purposes, these digital resources serve as valuable tools for continuous learning and self-improvement. So why not take advantage of the vast world of Helios Data Sheet Pdf Sabiana books and manuals for download and embark on your journey of knowledge?

FAQs About Helios Data Sheet Pdf Sabiana Books

What is a Helios Data Sheet Pdf Sabiana PDF? A PDF (Portable Document Format) is a file format developed by Adobe that preserves the layout and formatting of a document, regardless of the software, hardware, or operating system used to view or print it. **How do I create a Helios Data Sheet Pdf Sabiana PDF?** There are several ways to create a PDF: Use software like Adobe Acrobat, Microsoft Word, or Google Docs, which often have built-in PDF creation tools. Print to PDF: Many applications and operating systems have a "Print to PDF" option that allows you to save a document as a PDF file instead of printing it on paper. Online converters: There are various online tools that can convert different file types to PDF. **How do I edit a Helios Data Sheet Pdf Sabiana PDF?** Editing a PDF can be done with software like Adobe Acrobat, which allows direct editing of text, images, and other elements within the PDF. Some free tools, like PDFescape or Smallpdf, also offer basic editing capabilities. **How do I convert a Helios Data Sheet Pdf Sabiana PDF to another file format?** There are multiple ways to convert a PDF to another format: Use online converters like Smallpdf, Zamzar, or Adobe Acrobat's export feature to convert PDFs to formats like Word, Excel, JPEG, etc. Software like Adobe Acrobat, Microsoft Word, or other PDF editors may have options to export or save PDFs in different formats. **How do I password-protect a Helios Data Sheet Pdf Sabiana PDF?** Most PDF editing software allows you to add password protection. In Adobe Acrobat, for instance, you can go to "File" -> "Properties" -> "Security" to set a password to restrict access or editing capabilities. Are there any free alternatives to Adobe Acrobat for working with PDFs? Yes, there are many free alternatives for working with PDFs, such as: LibreOffice: Offers PDF editing features. PDFsam: Allows splitting, merging, and editing PDFs. Foxit Reader: Provides basic PDF viewing and editing capabilities. How do I compress a PDF file? You can use online tools like Smallpdf, ILovePDF, or desktop software like Adobe Acrobat to compress PDF files without significant quality loss. Compression reduces the file size, making it easier to share and download. Can I fill out forms in a PDF file? Yes, most PDF viewers/editors like Adobe Acrobat, Preview (on Mac), or various online tools allow you to fill out forms in PDF files by selecting text fields and entering information. Are there any restrictions when working with PDFs? Some PDFs might have restrictions set by their creator,

such as password protection, editing restrictions, or print restrictions. Breaking these restrictions might require specific software or tools, which may or may not be legal depending on the circumstances and local laws.

Find Helios Data Sheet Pdf Sabiana :

[comprehensive biochemistry volume 10](#)

[computer networks fifth edition a systems approach the morgan kaufmann series in networking](#)

[complex variables fisher solutions pdf](#)

communication systems engineering proakis solution manual pdf

[concept development practice page answers circular motion](#)

[concepts in clinical pharmacokinetics 5th edition](#)

concepts of database management 7th edition pratt

[collins spanish dictionary and grammar collins dictionary and grammar](#)

computer mcq questions and answers in gujarati

communication chapter 5 quizlet

[conflict resolution scenarios for adults](#)

consumer behavior buying having being

[compact oxford hachette french dictionary](#)

congestion control in data transmission networks sliding mode and other designs communications and control engineering

[contemporary abstract algebra student solution](#)

Helios Data Sheet Pdf Sabiana :

Edexcel GCSE ICT Revision Guide ... This book is good for revision and has great end of unit summary questions, but they give little detail when explaining things which, if you're revising for ... Digital Devices - Part 1 - Edexcel IGCSE ICT 9-1 - YouTube Edexcel IGCSE - ICT - Chapter 1 - Lesson 1 Digital Devices ... GCSE ICT This unit provides an introduction to the modern online world. We will base the course around your current knowledge and build on it to investigate a range ... Edexcel GCSE ICT Revision Guide & Workbook Sample Edexcel GCSE ICT Revision Guide & Workbook Sample - Free download as PDF File (.pdf), Text File (.txt) or read online for free. This is our GCSE ICT sample ... Roger Crawford - Edexcel international GCSE ... Jan 5, 2019 — Check Pages 1-50 of Roger Crawford - Edexcel international GCSE ICT. Revision guide

(2013, Pearson Education) in the flip PDF version. GCSE ICT Revision Guides Is the GCSE ICT exam looming? Revise and ace the exams with our adaptive GCSE ICT revision guides and flashcards. Top GCSE ICT Flashcards Ranked by Quality. IGCSE Edexcel ICT Revision Guide Digital • A digital video camera or camcorder records moving images with sound. Recordings can be saved on a memory card or built-in hard disk, and input to a ... International-GCSE-ICT-Student-Book-sample.pdf You can personalise your ActiveBook with notes, highlights and links to your wider reading. It is perfect for supporting your coursework and revision activities ... ICT GCSE Edexcel Chapter 1 - Living in a Digital World GCSE ICT revision notes. 0.0 / 5. ICT GCSE EDEXCEL REVISION. 3.0 / 5 based on 2 ratings. See all ICT resources »See all Communications resources ... Heizer operation management solution pdf summaries heizer operation managementsolution pdf solutions manual for additional problems operations management principles of operations management jay heizer. Jay Heizer Solutions Books by Jay Heizer with Solutions ; Study Guide for Operations Management 10th Edition 1194 Problems solved, Jay Heizer, Barry Render. Heizer Operation Management Solution CH 1 | PDF 1. The text suggests four reasons to study OM. We want tounderstand (1) how people organize themselves for productiventerprise, (2) how goods and services are ... Operations Management Sustainability and Supply Chain ... Nov 6, 2023 — Operations Management Sustainability and Supply Chain Management Jay Heizer 12th edition solution manual pdf. This book will also help you ... Operations Management Solution Manual Select your edition Below. Textbook Solutions for Operations Management. by. 12th Edition. Author: Barry Render, Jay Heizer, Chuck Munson. 1378 solutions ... Solution manual for Operations Management Jun 17, 2022 — name[]Solution manual for Operations Management: Sustainability and Supply Chain Management 12th Global Edition by Jay Heizer Sustainability and Supply Chain Management 13th edition ... Feb 18, 2022 — Solution manual for Operations Management: Sustainability and Supply Chain Management 13th edition by Jay Heizer. 479 views. Heizer Operation Management Solution PDF Heizer Operation Management Solution PDFFull description ... JAY HEIZER Texas Lutheran University BARRY RENDER Upper Saddle River, New ... Operations Management - 11th Edition - Solutions and ... Find step-by-step solutions and answers to Operations Management ... Operations Management 11th Edition by Barry Render, Jay Heizer. More textbook ... Solution Manual for Operations Management 12th Edition ... Solution Manual for Operations Management 12th Edition Heizer. Solution Manual for Operations Management 12th Edition Heizer. Author / Uploaded; a456989912. Ceramics: Mastering the Craft: Zakin, Richard This wonderful book is a valuable resource whether you are starting out and want to experiment with different clay projects or want to refresh your memory. Ceramics: Mastering the Craft: Zakin, Richard A fascinating blend of the technical and aesthetic aspects of ceramics, this second edition features historical background information, analysis of image ... Mastering the Craft; CERAMICS: Ceramic Materials; Clay & Clay Bodies, Making & Buying; Surface Finishes; Glazes; Low/Mid & High-Fire Glazes; Color; Recipes. ; 20 color, profuse b&w; ... Ceramics: Mastering the Craft In Mastering the Craft, Richard Zakin provides information on ceramic materials, color development, clay bodies,

vessel forms, creativity, imagery, surfaces, ... Ceramics: Mastering the Craft - Zakin, Richard A fascinating blend of the technical and aesthetic aspects of ceramics, this second edition features historical background information, analysis of image ... Ceramics: Mastering the Craft - Richard Zakin In Ceramics: Mastering the Craft, Richard Zakin has written a comprehensive handbook for everyone interested in working in ceramics. Ceramics Mastering The Craft Book A fascinating blend of the technical and aesthetic aspects of ceramics, this second edition features historical background information, analysis of image ... Ceramics: Mastering the Craft - Richard Zakin Title, Ceramics: Mastering the Craft Ceramics Series. Author, Richard Zakin. Edition, illustrated. Publisher, A & C Black, 1990. Ceramics: Mastering the Craft by Richard Zakin - Paperback UNKNO. Used - Good. Good condition. A copy that has been read but remains intact. May contain markings such as bookplates, stamps, limited notes and ... Ceramics Mastering the Craft 9780801979910 Ceramics Mastering the Craft ; by sanithtuc ; Wonderful teacher and craftsman. Richard Zakin was my professor for two classes. He was wonderful. He was very ...