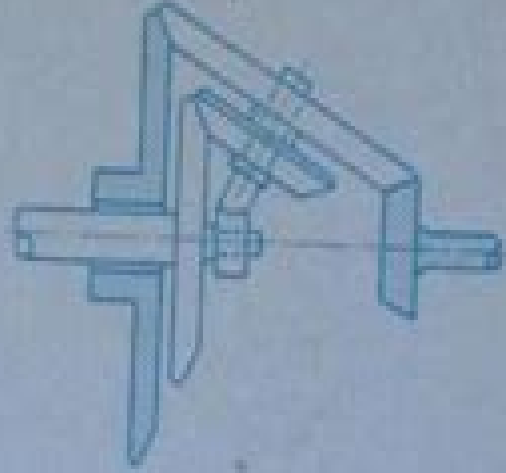


MECHANICS OF MACHINES

Elementary theory and examples

J. HANNAH AND R. C. STEPHENS
Third edition | SI Units



Mechanics Of Machines Elementary Theory And Examples Solution Manual

Xiang Xie



Mechanics Of Machines Elementary Theory And Examples Solution Manual:

Mechanics of Machines John Hannah, Richmond Courtney Stephens, 1970 For engineering students in the first year of a degree or diploma course *Scientific and Technical Books and Serials in Print* ,1984 **Applied Mechanics Reviews** ,2004 **A Classified Catalogue of Works Published by Longmans, Green & Company** ,1912 **Subject Guide to Books in Print** ,1984 *A Text Book of the Principles of Physics* Alfred Daniell, 1894 *Mechanics of Engineering* Irving Porter Church, 1908 *Elements of Analytical Mechanics* Peter Smith Michie, 1887 **Books in Print Supplement** ,1984 **Paperbound Books in Print** ,1975 *Automatic and Manual Control* A. Tustin, 1952 *Automatic and Manual Control* Conference on Automatic Control, 1952 *A Treatise on Arches* Malverd Abijah Howe, 1906 **The Sanitation of Recreation Camps and Parks** Harvey Brown Bashore, 1908 *Laboratory Notes on Industrial Water Analysis* Ellen Henrietta Richards, 1908 This antiquarian volume contains a complete manual of the art of angling for roach with comments on methodology equipment tactics and other information useful to the roach fisherman Written in simple plain language and including much in the way of practical instructions and useful tips and hints this text will prove invaluable to the roach fisherman and makes for a great addition to collections of angling literature The chapters of this book include The Roach Descriptive Statistical Roach Waters The Roach Fisherman Baits and Ground Baits Major Tactics and Major Considerations Methods and Styles Odds and Ends In Lighter Vein and Hempseed Fishing for Roach We are republishing this antiquarian volume now complete with a specially commissioned new introduction on the history of fishing *Handbook on sanitation* George Moses Price, 1904 **Elements of Railroad Track and Construction** Winter Lincoln Wilson, 1908 **Public Water-supplies** Frederick Eugene Turneure, 1909 **Experimental Engineering ...** Rolla Clinton Carpenter, 1906 *Elements of Steam Engineering* Henry Wilson Spangler, Arthur Maurice Greene, Stewart McCulloch Marshall, 1906

Thank you unquestionably much for downloading **Mechanics Of Machines Elementary Theory And Examples Solution Manual**. Maybe you have knowledge that, people have look numerous time for their favorite books when this Mechanics Of Machines Elementary Theory And Examples Solution Manual, but end happening in harmful downloads.

Rather than enjoying a fine PDF bearing in mind a cup of coffee in the afternoon, on the other hand they juggled when some harmful virus inside their computer. **Mechanics Of Machines Elementary Theory And Examples Solution Manual** is friendly in our digital library an online permission to it is set as public correspondingly you can download it instantly. Our digital library saves in multipart countries, allowing you to acquire the most less latency era to download any of our books taking into consideration this one. Merely said, the Mechanics Of Machines Elementary Theory And Examples Solution Manual is universally compatible later than any devices to read.

https://py.bijouxmedusa.com/results/Resources/Download_PDFS/libro_quimica_organica_bailey_slifforme.pdf

Table of Contents Mechanics Of Machines Elementary Theory And Examples Solution Manual

1. Understanding the eBook Mechanics Of Machines Elementary Theory And Examples Solution Manual
 - The Rise of Digital Reading Mechanics Of Machines Elementary Theory And Examples Solution Manual
 - Advantages of eBooks Over Traditional Books
2. Identifying Mechanics Of Machines Elementary Theory And Examples Solution Manual
 - Exploring Different Genres
 - Considering Fiction vs. Non-Fiction
 - Determining Your Reading Goals
3. Choosing the Right eBook Platform
 - Popular eBook Platforms
 - Features to Look for in an Mechanics Of Machines Elementary Theory And Examples Solution Manual
 - User-Friendly Interface
4. Exploring eBook Recommendations from Mechanics Of Machines Elementary Theory And Examples Solution Manual
 - Personalized Recommendations

- Mechanics Of Machines Elementary Theory And Examples Solution Manual User Reviews and Ratings
- Mechanics Of Machines Elementary Theory And Examples Solution Manual and Bestseller Lists
- 5. Accessing Mechanics Of Machines Elementary Theory And Examples Solution Manual Free and Paid eBooks
 - Mechanics Of Machines Elementary Theory And Examples Solution Manual Public Domain eBooks
 - Mechanics Of Machines Elementary Theory And Examples Solution Manual eBook Subscription Services
 - Mechanics Of Machines Elementary Theory And Examples Solution Manual Budget-Friendly Options
- 6. Navigating Mechanics Of Machines Elementary Theory And Examples Solution Manual eBook Formats
 - ePub, PDF, MOBI, and More
 - Mechanics Of Machines Elementary Theory And Examples Solution Manual Compatibility with Devices
 - Mechanics Of Machines Elementary Theory And Examples Solution Manual Enhanced eBook Features
- 7. Enhancing Your Reading Experience
 - Adjustable Fonts and Text Sizes of Mechanics Of Machines Elementary Theory And Examples Solution Manual
 - Highlighting and Note-Taking Mechanics Of Machines Elementary Theory And Examples Solution Manual
 - Interactive Elements Mechanics Of Machines Elementary Theory And Examples Solution Manual
- 8. Staying Engaged with Mechanics Of Machines Elementary Theory And Examples Solution Manual
 - Joining Online Reading Communities
 - Participating in Virtual Book Clubs
 - Following Authors and Publishers Mechanics Of Machines Elementary Theory And Examples Solution Manual
- 9. Balancing eBooks and Physical Books Mechanics Of Machines Elementary Theory And Examples Solution Manual
 - Benefits of a Digital Library
 - Creating a Diverse Reading Collection Mechanics Of Machines Elementary Theory And Examples Solution Manual
- 10. Overcoming Reading Challenges
 - Dealing with Digital Eye Strain
 - Minimizing Distractions
 - Managing Screen Time
- 11. Cultivating a Reading Routine Mechanics Of Machines Elementary Theory And Examples Solution Manual
 - Setting Reading Goals Mechanics Of Machines Elementary Theory And Examples Solution Manual
 - Carving Out Dedicated Reading Time
- 12. Sourcing Reliable Information of Mechanics Of Machines Elementary Theory And Examples Solution Manual

- Fact-Checking eBook Content of Mechanics Of Machines Elementary Theory And Examples Solution Manual
 - Distinguishing Credible Sources
13. Promoting Lifelong Learning
- Utilizing eBooks for Skill Development
 - Exploring Educational eBooks
14. Embracing eBook Trends
- Integration of Multimedia Elements
 - Interactive and Gamified eBooks

Mechanics Of Machines Elementary Theory And Examples Solution Manual Introduction

In today's digital age, the availability of Mechanics Of Machines Elementary Theory And Examples Solution Manual books and manuals for download has revolutionized the way we access information. Gone are the days of physically flipping through pages and carrying heavy textbooks or manuals. With just a few clicks, we can now access a wealth of knowledge from the comfort of our own homes or on the go. This article will explore the advantages of Mechanics Of Machines Elementary Theory And Examples Solution Manual books and manuals for download, along with some popular platforms that offer these resources. One of the significant advantages of Mechanics Of Machines Elementary Theory And Examples Solution Manual books and manuals for download is the cost-saving aspect. Traditional books and manuals can be costly, especially if you need to purchase several of them for educational or professional purposes. By accessing Mechanics Of Machines Elementary Theory And Examples Solution Manual versions, you eliminate the need to spend money on physical copies. This not only saves you money but also reduces the environmental impact associated with book production and transportation. Furthermore, Mechanics Of Machines Elementary Theory And Examples Solution Manual books and manuals for download are incredibly convenient. With just a computer or smartphone and an internet connection, you can access a vast library of resources on any subject imaginable. Whether you're a student looking for textbooks, a professional seeking industry-specific manuals, or someone interested in self-improvement, these digital resources provide an efficient and accessible means of acquiring knowledge. Moreover, PDF books and manuals offer a range of benefits compared to other digital formats. PDF files are designed to retain their formatting regardless of the device used to open them. This ensures that the content appears exactly as intended by the author, with no loss of formatting or missing graphics. Additionally, PDF files can be easily annotated, bookmarked, and searched for specific terms, making them highly practical for studying or referencing. When it comes to accessing Mechanics Of Machines Elementary Theory And Examples Solution Manual books and manuals, several platforms offer an extensive collection of resources. One such platform is Project Gutenberg, a nonprofit organization

that provides over 60,000 free eBooks. These books are primarily in the public domain, meaning they can be freely distributed and downloaded. Project Gutenberg offers a wide range of classic literature, making it an excellent resource for literature enthusiasts. Another popular platform for Mechanics Of Machines Elementary Theory And Examples Solution Manual books and manuals is Open Library. Open Library is an initiative of the Internet Archive, a non-profit organization dedicated to digitizing cultural artifacts and making them accessible to the public. Open Library hosts millions of books, including both public domain works and contemporary titles. It also allows users to borrow digital copies of certain books for a limited period, similar to a library lending system. Additionally, many universities and educational institutions have their own digital libraries that provide free access to PDF books and manuals. These libraries often offer academic texts, research papers, and technical manuals, making them invaluable resources for students and researchers. Some notable examples include MIT OpenCourseWare, which offers free access to course materials from the Massachusetts Institute of Technology, and the Digital Public Library of America, which provides a vast collection of digitized books and historical documents. In conclusion, Mechanics Of Machines Elementary Theory And Examples Solution Manual books and manuals for download have transformed the way we access information. They provide a cost-effective and convenient means of acquiring knowledge, offering the ability to access a vast library of resources at our fingertips. With platforms like Project Gutenberg, Open Library, and various digital libraries offered by educational institutions, we have access to an ever-expanding collection of books and manuals. Whether for educational, professional, or personal purposes, these digital resources serve as valuable tools for continuous learning and self-improvement. So why not take advantage of the vast world of Mechanics Of Machines Elementary Theory And Examples Solution Manual books and manuals for download and embark on your journey of knowledge?

FAQs About Mechanics Of Machines Elementary Theory And Examples Solution Manual Books

What is a Mechanics Of Machines Elementary Theory And Examples Solution Manual PDF? A PDF (Portable Document Format) is a file format developed by Adobe that preserves the layout and formatting of a document, regardless of the software, hardware, or operating system used to view or print it. **How do I create a Mechanics Of Machines Elementary Theory And Examples Solution Manual PDF?** There are several ways to create a PDF: Use software like Adobe Acrobat, Microsoft Word, or Google Docs, which often have built-in PDF creation tools. Print to PDF: Many applications and operating systems have a "Print to PDF" option that allows you to save a document as a PDF file instead of printing it on paper. Online converters: There are various online tools that can convert different file types to PDF. **How do I edit a Mechanics Of Machines Elementary Theory And Examples Solution Manual PDF?** Editing a PDF can be done

with software like Adobe Acrobat, which allows direct editing of text, images, and other elements within the PDF. Some free tools, like PDFescape or Smallpdf, also offer basic editing capabilities. **How do I convert a Mechanics Of Machines Elementary Theory And Examples Solution Manual PDF to another file format?** There are multiple ways to convert a PDF to another format: Use online converters like Smallpdf, Zamzar, or Adobe Acrobats export feature to convert PDFs to formats like Word, Excel, JPEG, etc. Software like Adobe Acrobat, Microsoft Word, or other PDF editors may have options to export or save PDFs in different formats. **How do I password-protect a Mechanics Of Machines Elementary Theory And Examples Solution Manual PDF?** Most PDF editing software allows you to add password protection. In Adobe Acrobat, for instance, you can go to "File" -> "Properties" -> "Security" to set a password to restrict access or editing capabilities. Are there any free alternatives to Adobe Acrobat for working with PDFs? Yes, there are many free alternatives for working with PDFs, such as: LibreOffice: Offers PDF editing features. PDFsam: Allows splitting, merging, and editing PDFs. Foxit Reader: Provides basic PDF viewing and editing capabilities. How do I compress a PDF file? You can use online tools like Smallpdf, ILovePDF, or desktop software like Adobe Acrobat to compress PDF files without significant quality loss. Compression reduces the file size, making it easier to share and download. Can I fill out forms in a PDF file? Yes, most PDF viewers/editors like Adobe Acrobat, Preview (on Mac), or various online tools allow you to fill out forms in PDF files by selecting text fields and entering information. Are there any restrictions when working with PDFs? Some PDFs might have restrictions set by their creator, such as password protection, editing restrictions, or print restrictions. Breaking these restrictions might require specific software or tools, which may or may not be legal depending on the circumstances and local laws.

Find Mechanics Of Machines Elementary Theory And Examples Solution Manual :

libro quimica organica bailey slibforme

lecture 14 hosea and isaiah l s lss

[livello cils b2 cils unistrasi](#)

learning module in cookery grade 9

[lister d stationary engine instruction manual somtho](#)

letting go david hawkins pdf download

leter motivimi per pune aciwa esy es

[linux learn linux in 2 hours including all essential command lines the beginners choice for the linux system linux linux for beginners](#)

learning unix and awk scripting advanced awk and ksh script examples for programmers to study hack and learn

[libri prima elementare online](#)

libro essential american english 1 respuestas

[lazy town xxx stephanie sex videos nesaporn](#)

lean for service organizations and offices a holistic approach for achieving operational excellence and improvements

levene bowls

[lebanon fire and embers a history of the lebanese civil war](#)

Mechanics Of Machines Elementary Theory And Examples Solution Manual :

[risottos 100 recettes pour fondre de plaisirs stage gapinc](#) - May 06 2022

web 100 recettes pour croquer le meilleur des légumes au fil des saisons risotto au pesto et à la roquette tian provençal

salade de petits pois à la mozzarella mini fraisier en verrine

risottos 100 recettes pour fondre de plaisirs - Oct 11 2022

web kindly say the risottos 100 recettes pour fondre de plaisirs is universally compatible with any devices to read the gut makeover jeannette hyde 2017 05 02 packed with easy to follow advice the latest science and accessible and nourishing recipes and meal plans nutritionist jeannette hyde s radical new

recette de risotto crémeux et fondant journal des femmes - Mar 16 2023

web cuisinez à la maison ce plat italien crémeux et fondant en suivant nos recettes faciles de risotto pour le réussir à coup sûr employez un riz spécial risotto les riz carnaroli ou arborio riches en amidon sont les plus adaptés à la cuisson de cette spécialité transalpine

risottos 100 recettes pour fondre de plaisirs - Aug 21 2023

web 100 recettes pour étudiants jul 06 2022 100 recettes 100 inratables réunies en un seul livre pensé pour les étudiants en un rien de temps et avec peu d ingrédients réussissez à tous les coups vos petits plats les recettes de famille may 16 2023 votre cahier de recettes personnel à remplir à la main liste des recettes à remplir

risottos 100 recettes pour fondre de plaisirs pdf - Jun 19 2023

web 100 recettes pour des apéros dînatoires gourmands verrines fraîcheur velouté de courgettes tomates mozzarella mousse de basilic granité à la mangue

risottos 100 recettes pour fondre de plaisirs 2022 eighteenb - Apr 05 2022

web risottos 100 recettes pour fondre de plaisirs 3 3 apprendre plus sur le développement et l alimentation de bébé christelle courrège est la fondatrice du site ma petite assiette qui développe des produits agronomiques et innovants pour

accompagner l'enfant dans son autonomie alimentaire et

risottos 100 recettes pour fondre de plaisirs checkin - Mar 04 2022

web risottos 100 recettes pour fondre de plaisirs 5 5 100 recettes autour du monde farfalles pennes orecchiettes linguines spaghettis tagliatelles tagliolis cannellonis raviolis mezzalunas tortellis lasagnes mais aussi nouilles vermicelles gratins ou one pot pasto longues courtes ou farcies faites le tour du monde des meilleures

risottos 100 recettes pour fondre de plaisirs by v harris - Dec 13 2022

web risottos 100 recettes pour fondre de plaisirs by v harris tout le savoir faire pour réussir un grand risotto une sélection craquante de cent recettes faciles

risottos 100 recettes pour fondre de plaisirs pdf ai classmonitor - Sep 10 2022

web 100 recettes essentielles pour cuisiner les repas sans gluten scones au fromage flans de carotte au miel chèvre et curry polenta crémeuse aux champignons crumble de poires à la farine de pépins

risotto marmiton - May 18 2023

web un bon risotto repose tout d'abord sur le choix des produits et notamment du riz c'est à dire un riz moins long plutôt rond par rapport à celui que nous consommons en France les plus connus sont l'arborio le vialone et le carnaroli les autres ingrédients sont le bouillon généralement préparé la veille le vin blanc l

risottos 100 recettes pour fondre de plaisirs by v harris - Nov 12 2022

web this risottos 100 recettes pour fondre de plaisirs by v harris as one of the greater part working sellers here will completely be paired with by the best options to review

risotto nos 50 meilleures recettes crémeuses et gourmandes - Sep 22 2023

web feb 24 2023 risotto nos 50 meilleures recettes crémeuses et gourmandes voir les photos du classique milanais au safran au plus créatif lait et marrons glacés des risottos il y en a pour tous les jours et pour tous les goûts voici nos 50 recettes onctueuses et crémeuses pour changer du riz

risottos 100 recettes pour fondre de plaisirs amazon fr - Oct 23 2023

web noté 5 retrouvez risottos 100 recettes pour fondre de plaisirs et des millions de livres en stock sur amazon fr achetez neuf ou d'occasion

risottos 100 recettes pour fondre de plaisirs - Jun 07 2022

web merely said the risottos 100 recettes pour fondre de plaisirs is universally compatible with any devices to read cavitation similarity studies with water and freon 113 louis robert sarosdy 2021 09 09 this work has been selected by scholars as being culturally important and is part of the knowledge base of civilization as we know it

ebook risottos 100 recettes pour fondre de plaisirs - Aug 09 2022

web tout le savoir faire pour réussir un grand risotto une sélection craquante de cent recettes faciles et rapides la cuisine du fromage 70 recettes pour fondre de plaisir jun 16 2022 des recettes d apéritifs d entrées de plats de sauces ou de desserts à [14 risottos crémeux pour épater la galerie mordu radio canada ca](#) - Apr 17 2023

web oct 19 2023 25 min dans ce délicieux risotto la délicatesse du homard se marie avec la richesse du mascarpone crémeux et des petits pois viennent colorer le tout c est la recette parfaite pour une [15 recettes de risotto irrésistibles Ôdélices](#) - Feb 15 2023

web 15 recettes de risotto irrésistibles le risotto est un plat typique du nord de l italie région dans laquelle la culture de riz riche en amidon est très présente ce délicieux plat de riz mijoté cuit tout doucement en absorbant un bouillon de légumes peu à peu il est crémeux et doit être servi au dernier moment

20 recettes de risotto traditionnelles et originales croquons la vie - Jul 20 2023

web découvrez comment faire un risotto et 20 idées de recettes de risotto à la viande aux champignons aux légumes et au poisson la légende raconte que le risotto est né au 16e siècle c est ainsi qu en ratant la confection de ses arancini la domestique d une famille sicilienne donna naissance au risotto au safran aujourd hui ce plat originaire de

risotto traditionnel recette de risotto traditionnel marmiton - Jan 14 2023

web 25 cl de vin blanc sec 2 tranches de jambon sec coppa etc champignon 1 cèpe ou 4 girolles ou 4 pieds de mouton ou 4 champignon de paris 70 g de parmesan râpé pas en sachet pitié ail ni de tomates

risottos 100 recettes pour fondre de plaisirs ftp bonide - Jul 08 2022

web 4 risottos 100 recettes pour fondre de plaisirs 2021 07 14 écrire ce voyage c était beaucoup de travail un travail sérieux comme dirait flaubert mais aussi jubilatoire que le livre que vous avez aujourd hui entre vos mains ce livre est un objet sentimental

the bfg disney movies - May 17 2023

web jul 1 2016 disney presents a roald dahl classic directed by steven spielberg in an imaginative tale filled with magic wonder and unexpected friendship a young girl is launched on an enormous adventure when she crosses paths with a mysterious being called the big friendly giant

[watch the bfg netflix](#) - Feb 14 2023

web the bfg 2016 maturity rating 7 1h 56m kids a little orphan meets up with a kind giant who s supposed to eat her but instead protects her from some truly horrible giants who terrorize them both starring mark rylance ruby

the bfg 2016 imdb - Oct 22 2023

web jul 1 2016 the bfg directed by steven spielberg with mark rylance ruby barnhill penelope wilton jemaine clement an orphan little girl befriends a benevolent giant who takes her to giant country where they attempt to stop the man eating

giants that are invading the human world

the bfg all movie clips 2016 youtube - Aug 20 2023

web sep 17 2020 watch the official clip compilation for the bfg a family movie starring rebecca hall and mark rylance available now on disney digital blu ray and dvd a

the bfg wikipedia - Jun 18 2023

web the bfg short for the big friendly giant is a 1982 children s novel by british author roald dahl it is an expansion of a short story from dahl s 1975 novel danny the champion of the world the book is dedicated to dahl s late daughter olivia who died of measles encephalitis at the age of seven in 1962

the bfg 2016 plot imdb - Jan 13 2023

web as the queen describes the dream mary sees a newspaper headline mentioning the disappearance of children in london sophie then makes her presence known to the three of them at the window since the queen has already seen this in her dream she allows it and then realizes sophie is with bfg

the bfg 2016 film wikipedia - Sep 21 2023

web the bfg titled onscreen as roald dahl s the bfg is a 2016 american fantasy adventure film directed and co produced by steven spielberg written by melissa mathison her final film before her 2015 death and based on roald dahl s 1982 novel of the same name

the bfg rotten tomatoes - Mar 15 2023

web movie info ten year old sophie is in for the adventure of a lifetime when she meets the big friendly giant mark rylance naturally scared at first the young girl soon realizes that the 24 foot

disney s the bfg official trailer youtube - Jul 19 2023

web apr 5 2016 directed by spielberg disney s the bfg tells the imaginative story of a young girl and the giant who introduces her to the wonders and perils of giant country the bfg mark rylance

watch the bfg disney - Apr 16 2023

web a young girl journeys to a world of adventure with a big friendly giant

abaqus cae bolt vibration test youtube - Feb 26 2022

web aug 26 2022 this simulation shows a bolt vibration test with the scope to analyze the loosening of the nut under vibration it is very interesting how the simulation cap

abaqus cae ver 6 12 vibrations tutorial problem computer - Jul 14 2023

web abaqus cae ver 6 12 vibrations tutorial problem description the two dimensional bridge structure which consists of steel t sections is simply supported at its lower corners determine the first 10 eigenvalues and natural frequencies

how to apply external vibrations in abaqus researchgate - Oct 05 2022

web i am new to abaqus how can i apply an external vibration vibrational load to surface of a plate harmonic analysis needs a force but can i manipulate it as a vibration i am open to any

natural frequency extraction massachusetts institute of technology - Apr 30 2022

web natural frequency extraction performs eigenvalue extraction to calculate the natural frequencies and the corresponding mode shapes of a system will include initial stress and load stiffness effects due to preloads and initial conditions if geometric nonlinearity is accounted for in the base state so that small vibrations of a preloaded

[abaqus fea cantilever beam vibration natural frequency and](#) - Apr 11 2023

web mar 11 2020 2 2k views 3 years ago abaqus cantilever beam vibration analysis 3d problem using brick elements linear hexahedron type c3d8r basic guide for how to analyze natural frequency and vibration

vibration analysis of abaqus youtube - Aug 15 2023

web feb 29 2012 vibration analysis of abaqus abaqus tutorial book abaqus for engineer a practical tutorial book 2019 sites google com view bw engineering re

abaqus tutorials random vibration analysis youtube - May 12 2023

web apr 25 2020 fem abaqus finiteelements finiteelementmethod finiteelementanalysis randomvibrationin this tutorial we give an overview on how to perform a random vib

assessment of layerwise user elements in abaqus for static and - Dec 07 2022

web jan 1 2023 in this work user elements in abaqus are taken a step forward to render computationally efficient and numerically accurate static and free vibration analysis of vsc laminates broadening the current state of the art of refined multilayered uel models and its available literature

random response analysis massachusetts institute of technology - Jun 01 2022

web random response analysis productsabaqus standardabaqus cae random response analysis random response analysis predicts the response of a system that is subjected to a nondeterministic continuous excitation that is expressed in a statistical sense by a cross spectral density matrix

11 3 example vibration of a piping system washington - Jan 08 2023

web getting started with abaqus 11 3 example vibration of a piping system in this example you will study the vibrational frequencies of a 5 m long section of a piping system the pipe is made of steel and has an outer diameter of 18 cm and a 2 cm wall thickness see figure 11 5 portion of piping system being analyzed

abaqus tutorial step by step free vibration of sphere shell - Feb 09 2023

web jun 10 2019 abaqus tutorial step by step free vibration of sphere shell more tutorials sites google com view aba eng

contact me by email yangsf082 gmail com key moments

structural acoustic simulation abaqus dassault systèmes - Dec 27 2021

web structural acoustic interaction covers diverse application areas including noise transmission radiation acoustic attenuation or amplification abaqus integrates noise simulation within the finite element solver allowing fully coupled structural acoustic simulations to be performed within familiar abaqus workflows

free and forced vibration analysis in abaqus based on the hindawi - Jun 13 2023

web dec 31 2021 we present the main procedures of interacting with abaqus updating amatrix and rhs defining the uel element and solving the stiffness and mass matrices through eigenvalue decomposition several benchmark problems of free and forced vibration are solved to validate the proposed implementation

vibration analysis of deep groove ball bearing with outer race defect - Mar 30 2022

web oct 24 2016 three dimensional finite element model of the housing and outer race is simulated using commercial package abaqus cae angular position of the local defect on the outer race which changes from 0 to 315 with angular intervals 45 is investigated through the dynamic finite element model the vibration data are calculated for points

pdf free and forced vibration analysis in abaqus based on - Mar 10 2023

web dec 31 2021 we present the main procedures of interacting with abaqus updating amatrix and rhs defining the uel element and solving the stiffness and mass matrices through eigenvalue decomposition

1 4 4 free and forced vibrations with damping - Nov 06 2022

web the following dynamic analyses are performed 1 free vibration of the one degree of freedom system after it is given an initial displacement and then released 2 steady state response to applied harmonic loading of the one degree of freedom model with viscous damping 3 steady state response to applied harmonic loading of the one degree of

forced periodic vibration in abaqus youtube - Aug 03 2022

web apr 14 2018 in the video you can learn something about periodic excitation in abaqus for a beam simply supported in both ends

1 4 7 vibration of a rotating cantilever plate - Sep 04 2022

web abaqus benchmarks manual 1 4 7 vibration of a rotating cantilever plate product abaqus standard this example is intended to provide basic verification of the centrifugal load stiffness effect present in vibration problems when the structure is undergoing small vibrations in a rotating coordinate frame

pdf computation of vibrations in aluminum based - Jul 02 2022

web dec 5 2014 in this paper abaqus software platform is chosen for the vibration analysis of the aluminum dumbbell shaped structures these structures usually vibrate on applying varied frequency range

[vibration absorber in abaqus researchgate](#) - Jan 28 2022

web aug 21 2016 dans ce travail nous proposons un modèle élément fini 3d pour l'analyse numérique de la vibration libre et forcée des poutres à paroi mince et à section ouverte