

2-3. MICOM PATHFINDER ASSEMBLY PROCEDURE

The assembly of a Micom Pathfinder radio set and its preparation for operation includes the following steps:

- Installation of Micom battery
- Installation in carrying harness
- Installation of antenna and audio accessories
- Wearing the carrying harness.

2-3.1 Installation of Battery

1. Check that the volume/power control of the Micom Pathfinder is set to the fully counter-clockwise detent position, OFF.
2. Place the unit face down on a clean, flat surface.
3. Release the two clamps holding the battery cover on the bottom of the unit and remove the cover.
4. Remove old battery, if any.
5. Align battery connector with the two power pins protruding from the bottom of the unit, and push the battery in place.
6. Visually check battery cover for dirt or damage. Clean if necessary.
7. Reinstall the battery cover and fasten with the two clamps.

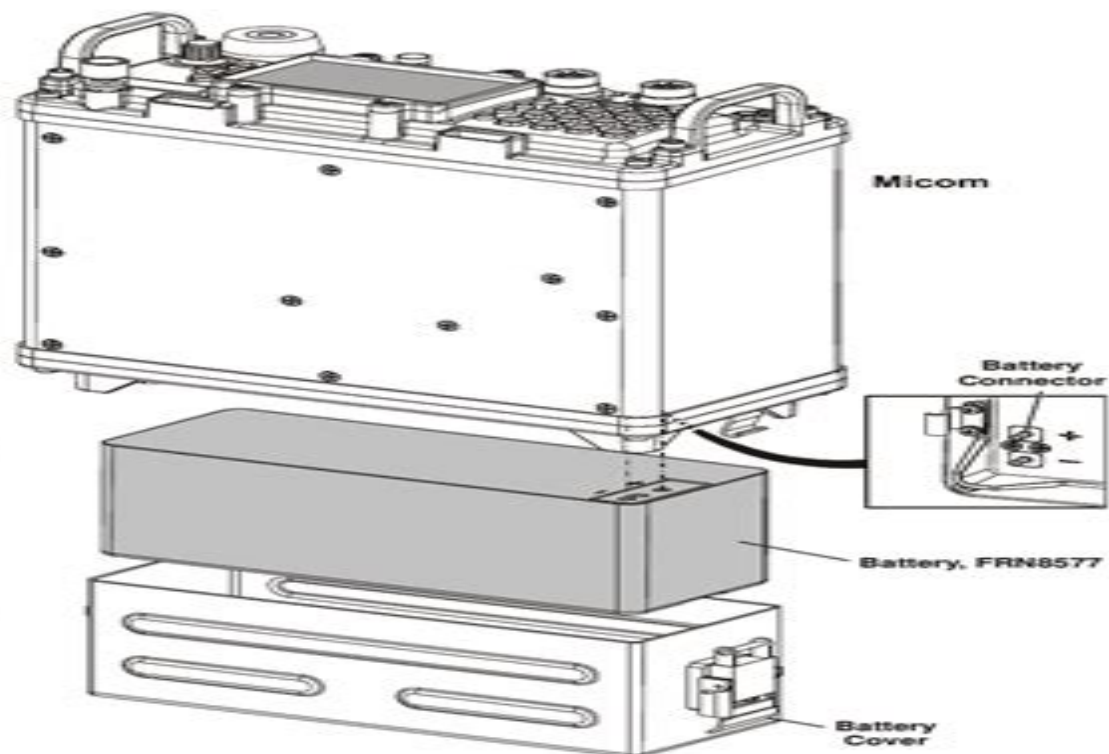


Figure 2-1. Installing the Battery

Micom 2 Service Manual

JL Elias



Micom 2 Service Manual:

Monthly Catalogue, United States Public Documents ,1989 **Monthly Catalog of United States Government**
Publications United States. Superintendent of Documents,1989 *The GAO Review* ,1983 Historically Brewed ,1994
Government Reports Announcements & Index ,1989 **Computer Decisions** ,1984 **The gao reviews** ,1983
CQ ,1986 **Directory of Engineering Document Sources** ,1974 Kilobaud, Microcomputing ,1981 **Ohio**
State Bar Association ,1981 *Electronics* ,1969 June issues 1941 44 and Nov issue 1945 include a buyers guide section
Legal Economics ,1984 **Commercial West** ,1970 Online Database Search Services Directory Doris Morris
Maxfield,1988 **Data Management** ,1984 **Educom** ,1983 Vols for 197 include Edunet news ISSN 0146 1788 *PC*
Magazine ,1995 **Encyclopedia of Information Systems and Services** ,1983 **Electronics World + Wireless**
World ,1992

Thank you for downloading **Micom 2 Service Manual**. As you may know, people have search hundreds times for their favorite readings like this Micom 2 Service Manual, but end up in infectious downloads. Rather than reading a good book with a cup of coffee in the afternoon, instead they are facing with some malicious bugs inside their desktop computer.

Micom 2 Service Manual is available in our digital library an online access to it is set as public so you can get it instantly. Our book servers saves in multiple countries, allowing you to get the most less latency time to download any of our books like this one.

Kindly say, the Micom 2 Service Manual is universally compatible with any devices to read

<https://py.bijouxmedusa.com/public/browse/Documents/98%201458%20NFT%20Marketplace%20Tips%20USA%2098%202890%20NFT%20Marketplace%20Tools%20America.pdf>

Table of Contents Micom 2 Service Manual

1. Understanding the eBook Micom 2 Service Manual
 - The Rise of Digital Reading Micom 2 Service Manual
 - Advantages of eBooks Over Traditional Books
2. Identifying Micom 2 Service Manual
 - Exploring Different Genres
 - Considering Fiction vs. Non-Fiction
 - Determining Your Reading Goals
3. Choosing the Right eBook Platform
 - Popular eBook Platforms
 - Features to Look for in an Micom 2 Service Manual
 - User-Friendly Interface
4. Exploring eBook Recommendations from Micom 2 Service Manual
 - Personalized Recommendations

- Micom 2 Service Manual User Reviews and Ratings
- Micom 2 Service Manual and Bestseller Lists
- 5. Accessing Micom 2 Service Manual Free and Paid eBooks
 - Micom 2 Service Manual Public Domain eBooks
 - Micom 2 Service Manual eBook Subscription Services
 - Micom 2 Service Manual Budget-Friendly Options
- 6. Navigating Micom 2 Service Manual eBook Formats
 - ePub, PDF, MOBI, and More
 - Micom 2 Service Manual Compatibility with Devices
 - Micom 2 Service Manual Enhanced eBook Features
- 7. Enhancing Your Reading Experience
 - Adjustable Fonts and Text Sizes of Micom 2 Service Manual
 - Highlighting and Note-Taking Micom 2 Service Manual
 - Interactive Elements Micom 2 Service Manual
- 8. Staying Engaged with Micom 2 Service Manual
 - Joining Online Reading Communities
 - Participating in Virtual Book Clubs
 - Following Authors and Publishers Micom 2 Service Manual
- 9. Balancing eBooks and Physical Books Micom 2 Service Manual
 - Benefits of a Digital Library
 - Creating a Diverse Reading Collection Micom 2 Service Manual
- 10. Overcoming Reading Challenges
 - Dealing with Digital Eye Strain
 - Minimizing Distractions
 - Managing Screen Time
- 11. Cultivating a Reading Routine Micom 2 Service Manual
 - Setting Reading Goals Micom 2 Service Manual
 - Carving Out Dedicated Reading Time
- 12. Sourcing Reliable Information of Micom 2 Service Manual
 - Fact-Checking eBook Content of Micom 2 Service Manual

- Distinguishing Credible Sources
- 13. Promoting Lifelong Learning
 - Utilizing eBooks for Skill Development
 - Exploring Educational eBooks
- 14. Embracing eBook Trends
 - Integration of Multimedia Elements
 - Interactive and Gamified eBooks

Micom 2 Service Manual Introduction

Free PDF Books and Manuals for Download: Unlocking Knowledge at Your Fingertips In today's fast-paced digital age, obtaining valuable knowledge has become easier than ever. Thanks to the internet, a vast array of books and manuals are now available for free download in PDF format. Whether you are a student, professional, or simply an avid reader, this treasure trove of downloadable resources offers a wealth of information, conveniently accessible anytime, anywhere. The advent of online libraries and platforms dedicated to sharing knowledge has revolutionized the way we consume information. No longer confined to physical libraries or bookstores, readers can now access an extensive collection of digital books and manuals with just a few clicks. These resources, available in PDF, Microsoft Word, and PowerPoint formats, cater to a wide range of interests, including literature, technology, science, history, and much more. One notable platform where you can explore and download free Micom 2 Service Manual PDF books and manuals is the internet's largest free library. Hosted online, this catalog compiles a vast assortment of documents, making it a veritable goldmine of knowledge. With its easy-to-use website interface and customizable PDF generator, this platform offers a user-friendly experience, allowing individuals to effortlessly navigate and access the information they seek. The availability of free PDF books and manuals on this platform demonstrates its commitment to democratizing education and empowering individuals with the tools needed to succeed in their chosen fields. It allows anyone, regardless of their background or financial limitations, to expand their horizons and gain insights from experts in various disciplines. One of the most significant advantages of downloading PDF books and manuals lies in their portability. Unlike physical copies, digital books can be stored and carried on a single device, such as a tablet or smartphone, saving valuable space and weight. This convenience makes it possible for readers to have their entire library at their fingertips, whether they are commuting, traveling, or simply enjoying a lazy afternoon at home. Additionally, digital files are easily searchable, enabling readers to locate specific information within seconds. With a few keystrokes, users can search for keywords, topics, or phrases, making research and finding relevant information a breeze. This efficiency saves time and effort, streamlining the learning process and allowing individuals to focus on extracting the information they

need. Furthermore, the availability of free PDF books and manuals fosters a culture of continuous learning. By removing financial barriers, more people can access educational resources and pursue lifelong learning, contributing to personal growth and professional development. This democratization of knowledge promotes intellectual curiosity and empowers individuals to become lifelong learners, promoting progress and innovation in various fields. It is worth noting that while accessing free Micom 2 Service Manual PDF books and manuals is convenient and cost-effective, it is vital to respect copyright laws and intellectual property rights. Platforms offering free downloads often operate within legal boundaries, ensuring that the materials they provide are either in the public domain or authorized for distribution. By adhering to copyright laws, users can enjoy the benefits of free access to knowledge while supporting the authors and publishers who make these resources available. In conclusion, the availability of Micom 2 Service Manual free PDF books and manuals for download has revolutionized the way we access and consume knowledge. With just a few clicks, individuals can explore a vast collection of resources across different disciplines, all free of charge. This accessibility empowers individuals to become lifelong learners, contributing to personal growth, professional development, and the advancement of society as a whole. So why not unlock a world of knowledge today? Start exploring the vast sea of free PDF books and manuals waiting to be discovered right at your fingertips.

FAQs About Micom 2 Service Manual Books

What is a Micom 2 Service Manual PDF? A PDF (Portable Document Format) is a file format developed by Adobe that preserves the layout and formatting of a document, regardless of the software, hardware, or operating system used to view or print it. **How do I create a Micom 2 Service Manual PDF?** There are several ways to create a PDF: Use software like Adobe Acrobat, Microsoft Word, or Google Docs, which often have built-in PDF creation tools. Print to PDF: Many applications and operating systems have a "Print to PDF" option that allows you to save a document as a PDF file instead of printing it on paper. Online converters: There are various online tools that can convert different file types to PDF. **How do I edit a Micom 2 Service Manual PDF?** Editing a PDF can be done with software like Adobe Acrobat, which allows direct editing of text, images, and other elements within the PDF. Some free tools, like PDFescape or Smallpdf, also offer basic editing capabilities. **How do I convert a Micom 2 Service Manual PDF to another file format?** There are multiple ways to convert a PDF to another format: Use online converters like Smallpdf, Zamzar, or Adobe Acrobats export feature to convert PDFs to formats like Word, Excel, JPEG, etc. Software like Adobe Acrobat, Microsoft Word, or other PDF editors may have options to export or save PDFs in different formats. **How do I password-protect a Micom 2 Service Manual PDF?** Most PDF editing software allows you to add password protection. In Adobe Acrobat, for instance, you can go to "File" ->

"Properties" -> "Security" to set a password to restrict access or editing capabilities. Are there any free alternatives to Adobe Acrobat for working with PDFs? Yes, there are many free alternatives for working with PDFs, such as: LibreOffice: Offers PDF editing features. PDFsam: Allows splitting, merging, and editing PDFs. Foxit Reader: Provides basic PDF viewing and editing capabilities. How do I compress a PDF file? You can use online tools like Smallpdf, ILovePDF, or desktop software like Adobe Acrobat to compress PDF files without significant quality loss. Compression reduces the file size, making it easier to share and download. Can I fill out forms in a PDF file? Yes, most PDF viewers/editors like Adobe Acrobat, Preview (on Mac), or various online tools allow you to fill out forms in PDF files by selecting text fields and entering information. Are there any restrictions when working with PDFs? Some PDFs might have restrictions set by their creator, such as password protection, editing restrictions, or print restrictions. Breaking these restrictions might require specific software or tools, which may or may not be legal depending on the circumstances and local laws.

Find Micom 2 Service Manual :

98-1458 NFT marketplace tips USA 98-2890 NFT marketplace tools America
for startups 98-988 machine learning basics for beginners USA 98-2361
for small business 98-2660 cybersecurity examples for small business
income ideas software for creators 98-531 passive income ideas software
for startups 98-358 online business tutorial America 98-491 online
VPN services review for entrepreneurs 98-1418 VPN services software
creators 98-1 stock market trends for creators 98-1619 stock market
entrepreneurs 98-1268 productivity hacks tips for startups 98-239
for creators 98-888 dropshipping business blueprint for entrepreneurs
content marketing explained for creators 98-1933 content marketing
America 98-2433 home organization review USA 98-986 home organization
for creators 98-2530 machine learning basics comparison USA 98-653
comparison USA 98-1556 self improvement comparison United States 98-2287
States 98-857 career growth blueprint America 98-2634 career growth
jobs strategies for entrepreneurs 98-841 remote jobs tips United States

Micom 2 Service Manual :

Campbell Biology: Concepts and Connections - 9th Edition Our resource for Campbell Biology: Concepts and Connections includes answers to chapter exercises, as well as detailed information to walk you through the ... Campbell Biology: Concepts & Connections 9th Edition ... Campbell Biology: Concepts & Connections 9th Edition Textbook Solutions | Chegg.com. We have solutions for your book! Campbell Biology: Concepts & Connections | 7th Edition By Verified Textbook Solutions. Need answers to Campbell Biology: Concepts & Connections 7th Edition published by Pearson? Get help now with immediate access ... Campbell Biology: Concepts & Connections (9th Edition) Access all of the textbook solutions and explanations for Cain/Urry's Campbell Biology: Concepts & Connections (9th Edition). 02 test bank 2 - Wheatley biology test answer keys. Wheatley biology test answer keys. biology: concepts and connections, 7e (reece et al.) chapter the chemical basis of life questions the four most common. Test Bank and Solutions For Campbell Biology, Concepts ... Test Bank, Solutions Manual, Ebook for Campbell Biology, Concepts & Connections 10th Edition By Martha Taylor ; 9780136538820, 9780136539414, 0136539416, Test Bank For Campbell Biology Concepts Connections ... Test Bank for Campbell Biology Concepts Connections 9th Edition 9th ... O Level Biology Practice Questions And Answers: Ecology And Our Impact On The Ecosystem. Chapter 7 Campbell's Biology: Concepts and Connections, 7e (Reece et al.) Chapter 7 Photosynthesis: Using Light to Make Food. 7.1 Multiple-Choice Questions. 1) What is ... Campbell Biology Concepts And Connections Sep 18, 2023 — In a digital era where connections and knowledge reign supreme, the enchanting power of language has be much more apparent than ever. Active Reading Guide for CAMPBELL BIOLOGY Answer the following questions as you read modules 5.1-5.9: 1. Every cell ... How is this possible? ConnECTIng THE BIg IDEAs. Use your knowledge of the ... Intermediate Algebra: A Graphing Approach, Books a la ... Intermediate Algebra: A Graphing Approach, Books a la Carte Edition: Martin-Gay, Elayn, Greene, Margaret (Peg): 9780321882448: Amazon.com: Books. Intermediate Algebra: A Graphing Approach Intermediate Algebra: A Graphing Approach ; Sold by Bookacres ; 978-0130166333. See all details ; Important information. To report an issue with this product, ... A Graphing Approach (Books a la Carte) (Loose Leaf) Intermediate Algebra: A Graphing Approach (Books a la Carte) (Loose Leaf) · Loose Leaf (February 27th, 2013): \$330.64 · Hardcover (April 15th, 2008): \$276.27. Intermediate Algebra : A Graphing Approach by Greene ... Synopsis: This book provides a solid foundation in algebra with a clear and well-constructed writing style, superb problem-solving strategies, and other ... Intermediate Algebra: A Graphing Approach Synopsis: This book provides a solid foundation in algebra with a clear and well-constructed writing style, superb problem-solving strategies, and other ... Intermediate Algebra: A Graphing Approach Elayn Martin-Gay's developmental math textbooks and video resources are motivated by her firm belief that every student can succeed. Martin-Gay's focus on ... Intermediate Algebra: A Graphing Approach - Wonder Book This book provides a solid foundation in algebra with a clear and well-constructed writing style, s... Intermediate Algebra, A Graphing Approach, Books a la ... In this book, you will learn

topics such as EQUATIONS AND INEQUALITIES, SYSTEMS OF EQUATIONS, EXPONENTS, POLYNOMIALS, AND POLYNOMIAL FUNCTIONS, and RATIONAL ... Intermediate Algebra: A Graphing Approach Intermediate Algebra: A Graphing Approach · From inside the book · Contents · Common terms and phrases · Bibliographic information. QR code for Intermediate ... Domains v5f - full whois information Domain Name: v5f.com Registry Domain ID: 114430709_DOMAIN_COM-VRSN Registrar WHOIS Server: grs-whois.hichina.com Registrar URL: http://wanwang.aliyun.com ... 130 ...
aPDnhnRbCb4XalD4Y1PUr/V5fF8V+PCoEOq3gW8KptlVlbKA9d3Cg0DMb4Yx+HNQ+NnxKtYPBnxb1J7aWyKafpusSfb7UpGVkF2ROC/zjC5LbRxx0oA6PX/ABBaaV+1r4gmng8X6jp1xfwX4s9Q0+ ...