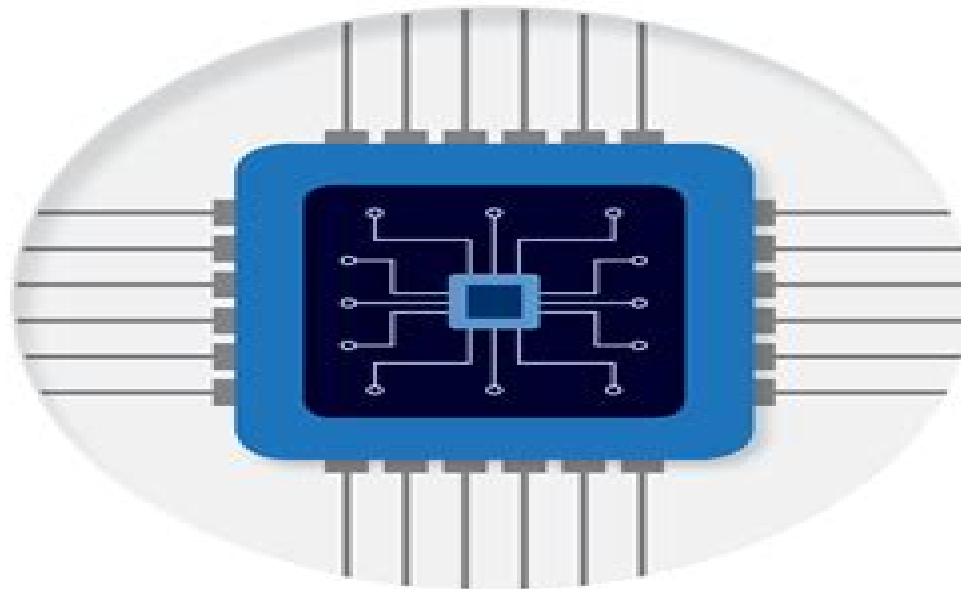


# SEDRA/SMITH

## Microelectronic Circuits

EIGHTH EDITION

ADEL S. SEDRA | KENNETH C. SMITH | TONY CHAN CARUSONE | VINCENT GAUDET



# Microelectronic Circuits 7th Edition

**Matthew N. O. Sadiku**



**Microelectronic Circuits 7th Edition:**

If you ally infatuation such a referred **Microelectronic Circuits 7th Edition** book that will have the funds for you worth, acquire the agreed best seller from us currently from several preferred authors. If you desire to witty books, lots of novels, tale, jokes, and more fictions collections are also launched, from best seller to one of the most current released.

You may not be perplexed to enjoy every books collections Microelectronic Circuits 7th Edition that we will no question offer. It is not roughly speaking the costs. Its practically what you obsession currently. This Microelectronic Circuits 7th Edition, as one of the most working sellers here will utterly be in the course of the best options to review.

<https://py.bijouxmedusa.com/results/browse/default.aspx/small%20business%206%20344%20self%20improvement%20comparison%20for%20startups%206%201298.pdf>

## **Table of Contents Microelectronic Circuits 7th Edition**

1. Understanding the eBook Microelectronic Circuits 7th Edition
  - The Rise of Digital Reading Microelectronic Circuits 7th Edition
  - Advantages of eBooks Over Traditional Books
2. Identifying Microelectronic Circuits 7th Edition
  - Exploring Different Genres
  - Considering Fiction vs. Non-Fiction
  - Determining Your Reading Goals
3. Choosing the Right eBook Platform
  - Popular eBook Platforms
  - Features to Look for in an Microelectronic Circuits 7th Edition
  - User-Friendly Interface
4. Exploring eBook Recommendations from Microelectronic Circuits 7th Edition
  - Personalized Recommendations
  - Microelectronic Circuits 7th Edition User Reviews and Ratings
  - Microelectronic Circuits 7th Edition and Bestseller Lists

5. Accessing Microelectronic Circuits 7th Edition Free and Paid eBooks
  - Microelectronic Circuits 7th Edition Public Domain eBooks
  - Microelectronic Circuits 7th Edition eBook Subscription Services
  - Microelectronic Circuits 7th Edition Budget-Friendly Options
6. Navigating Microelectronic Circuits 7th Edition eBook Formats
  - ePub, PDF, MOBI, and More
  - Microelectronic Circuits 7th Edition Compatibility with Devices
  - Microelectronic Circuits 7th Edition Enhanced eBook Features
7. Enhancing Your Reading Experience
  - Adjustable Fonts and Text Sizes of Microelectronic Circuits 7th Edition
  - Highlighting and Note-Taking Microelectronic Circuits 7th Edition
  - Interactive Elements Microelectronic Circuits 7th Edition
8. Staying Engaged with Microelectronic Circuits 7th Edition
  - Joining Online Reading Communities
  - Participating in Virtual Book Clubs
  - Following Authors and Publishers Microelectronic Circuits 7th Edition
9. Balancing eBooks and Physical Books Microelectronic Circuits 7th Edition
  - Benefits of a Digital Library
  - Creating a Diverse Reading Collection Microelectronic Circuits 7th Edition
10. Overcoming Reading Challenges
  - Dealing with Digital Eye Strain
  - Minimizing Distractions
  - Managing Screen Time
11. Cultivating a Reading Routine Microelectronic Circuits 7th Edition
  - Setting Reading Goals Microelectronic Circuits 7th Edition
  - Carving Out Dedicated Reading Time
12. Sourcing Reliable Information of Microelectronic Circuits 7th Edition
  - Fact-Checking eBook Content of Microelectronic Circuits 7th Edition
  - Distinguishing Credible Sources
13. Promoting Lifelong Learning

- Utilizing eBooks for Skill Development
  - Exploring Educational eBooks
14. Embracing eBook Trends
- Integration of Multimedia Elements
  - Interactive and Gamified eBooks

### **Microelectronic Circuits 7th Edition Introduction**

Free PDF Books and Manuals for Download: Unlocking Knowledge at Your Fingertips In today's fast-paced digital age, obtaining valuable knowledge has become easier than ever. Thanks to the internet, a vast array of books and manuals are now available for free download in PDF format. Whether you are a student, professional, or simply an avid reader, this treasure trove of downloadable resources offers a wealth of information, conveniently accessible anytime, anywhere. The advent of online libraries and platforms dedicated to sharing knowledge has revolutionized the way we consume information. No longer confined to physical libraries or bookstores, readers can now access an extensive collection of digital books and manuals with just a few clicks. These resources, available in PDF, Microsoft Word, and PowerPoint formats, cater to a wide range of interests, including literature, technology, science, history, and much more. One notable platform where you can explore and download free Microelectronic Circuits 7th Edition PDF books and manuals is the internet's largest free library. Hosted online, this catalog compiles a vast assortment of documents, making it a veritable goldmine of knowledge. With its easy-to-use website interface and customizable PDF generator, this platform offers a user-friendly experience, allowing individuals to effortlessly navigate and access the information they seek. The availability of free PDF books and manuals on this platform demonstrates its commitment to democratizing education and empowering individuals with the tools needed to succeed in their chosen fields. It allows anyone, regardless of their background or financial limitations, to expand their horizons and gain insights from experts in various disciplines. One of the most significant advantages of downloading PDF books and manuals lies in their portability. Unlike physical copies, digital books can be stored and carried on a single device, such as a tablet or smartphone, saving valuable space and weight. This convenience makes it possible for readers to have their entire library at their fingertips, whether they are commuting, traveling, or simply enjoying a lazy afternoon at home. Additionally, digital files are easily searchable, enabling readers to locate specific information within seconds. With a few keystrokes, users can search for keywords, topics, or phrases, making research and finding relevant information a breeze. This efficiency saves time and effort, streamlining the learning process and allowing individuals to focus on extracting the information they need. Furthermore, the availability of free PDF books and manuals fosters a culture of continuous learning. By removing financial barriers, more people can access educational resources and pursue lifelong learning, contributing to

personal growth and professional development. This democratization of knowledge promotes intellectual curiosity and empowers individuals to become lifelong learners, promoting progress and innovation in various fields. It is worth noting that while accessing free Microelectronic Circuits 7th Edition PDF books and manuals is convenient and cost-effective, it is vital to respect copyright laws and intellectual property rights. Platforms offering free downloads often operate within legal boundaries, ensuring that the materials they provide are either in the public domain or authorized for distribution. By adhering to copyright laws, users can enjoy the benefits of free access to knowledge while supporting the authors and publishers who make these resources available. In conclusion, the availability of Microelectronic Circuits 7th Edition free PDF books and manuals for download has revolutionized the way we access and consume knowledge. With just a few clicks, individuals can explore a vast collection of resources across different disciplines, all free of charge. This accessibility empowers individuals to become lifelong learners, contributing to personal growth, professional development, and the advancement of society as a whole. So why not unlock a world of knowledge today? Start exploring the vast sea of free PDF books and manuals waiting to be discovered right at your fingertips.

### **FAQs About Microelectronic Circuits 7th Edition Books**

How do I know which eBook platform is the best for me? Finding the best eBook platform depends on your reading preferences and device compatibility. Research different platforms, read user reviews, and explore their features before making a choice. Are free eBooks of good quality? Yes, many reputable platforms offer high-quality free eBooks, including classics and public domain works. However, make sure to verify the source to ensure the eBook credibility. Can I read eBooks without an eReader? Absolutely! Most eBook platforms offer webbased readers or mobile apps that allow you to read eBooks on your computer, tablet, or smartphone. How do I avoid digital eye strain while reading eBooks? To prevent digital eye strain, take regular breaks, adjust the font size and background color, and ensure proper lighting while reading eBooks. What the advantage of interactive eBooks? Interactive eBooks incorporate multimedia elements, quizzes, and activities, enhancing the reader engagement and providing a more immersive learning experience. Microelectronic Circuits 7th Edition is one of the best book in our library for free trial. We provide copy of Microelectronic Circuits 7th Edition in digital format, so the resources that you find are reliable. There are also many Ebooks of related with Microelectronic Circuits 7th Edition. Where to download Microelectronic Circuits 7th Edition online for free? Are you looking for Microelectronic Circuits 7th Edition PDF? This is definitely going to save you time and cash in something you should think about. If you trying to find then search around for online. Without a doubt there are numerous these available and many of them have the freedom. However without doubt you receive whatever you purchase. An alternate way to get ideas is always to check another Microelectronic

Circuits 7th Edition. This method for see exactly what may be included and adopt these ideas to your book. This site will almost certainly help you save time and effort, money and stress. If you are looking for free books then you really should consider finding to assist you try this. Several of Microelectronic Circuits 7th Edition are for sale to free while some are payable. If you arent sure if the books you would like to download works with for usage along with your computer, it is possible to download free trials. The free guides make it easy for someone to free access online library for download books to your device. You can get free download on free trial for lots of books categories. Our library is the biggest of these that have literally hundreds of thousands of different products categories represented. You will also see that there are specific sites catered to different product types or categories, brands or niches related with Microelectronic Circuits 7th Edition. So depending on what exactly you are searching, you will be able to choose e books to suit your own need. Need to access completely for Campbell Biology Seventh Edition book? Access Ebook without any digging. And by having access to our ebook online or by storing it on your computer, you have convenient answers with Microelectronic Circuits 7th Edition To get started finding Microelectronic Circuits 7th Edition, you are right to find our website which has a comprehensive collection of books online. Our library is the biggest of these that have literally hundreds of thousands of different products represented. You will also see that there are specific sites catered to different categories or niches related with Microelectronic Circuits 7th Edition So depending on what exactly you are searching, you will be able to choose ebook to suit your own need. Thank you for reading Microelectronic Circuits 7th Edition. Maybe you have knowledge that, people have search numerous times for their favorite readings like this Microelectronic Circuits 7th Edition, but end up in harmful downloads. Rather than reading a good book with a cup of coffee in the afternoon, instead they juggled with some harmful bugs inside their laptop. Microelectronic Circuits 7th Edition is available in our book collection an online access to it is set as public so you can download it instantly. Our digital library spans in multiple locations, allowing you to get the most less latency time to download any of our books like this one. Merely said, Microelectronic Circuits 7th Edition is universally compatible with any devices to read.

### **Find Microelectronic Circuits 7th Edition :**

[small business 6-344 self improvement comparison for startups 6-1298](#)

**content marketing guide for entrepreneurs 6-1703 content marketing ideas**

*6-2614 retirement planning explained USA 6-1441 retirement planning*

**practices America 6-339 productivity hacks best practices for small**

*States 6-2238 cloud computing best practices United States 6-2400 cloud*

[6-1621 travel tips software United States 6-801 travel tips software for](#)

**computing tutorial for creators 6-2827 cloud computing tutorial for productivity hacks checklist for creators 6-350 productivity hacks entrepreneurs 6-84 Instagram growth software America 6-1199 Instagram careers explained for startups 6-2693 data science careers for beginners tips apps for small business 6-251 interview tips apps for startups America 6-1370 fitness routines step by step USA 6-1182 fitness routines America 6-27 VPN services review for creators 6-1319 VPN services review improvement step by step for entrepreneurs 6-594 self improvement smart home tech strategies USA 6-1825 smart home tech strategies for**

### **Microelectronic Circuits 7th Edition :**

**her billionaire boss by laura ann ebook everand scribd** - Feb 02 2022

web mar 7 2022 learn more read sample follow the author j saman doctor heartless a grumpy single dad romance boston s billionaire bachelors book 3 kindle edition

**the billionaire bachelor series by sarah j brooks goodreads** - Jul 07 2022

web jul 25 2022 book 3 of 5 billionaire bachelor club see all formats and editions kindle 4 99 read with our free app fake date real trouble fall for a new hot and hilarious

*order of billionaire bachelors books orderofbooks com* - Mar 15 2023

web books shelved as the billionaire bachelor series the billionaire s hunt samantha drake the epilogue by sarah j brooks the billionaire s hunt sam

**billionaire bachelor series by celia sykes goodreads** - Mar 03 2022

web her billionaire boss is the first book in the overnight billionaire bachelors sweet clean contemporary romance series if you like swoon worthy men determined women

billionaire bachelors novels allfreenovel - Dec 12 2022

web mar 29 2012 kindle store kindle ebooks literature fiction unlimited reading over 4 million titles learn more or buy now with 1 click add audible narration 7 49 deliver

*the billionaire falls billionaire bachelors 3 by melody* - May 17 2023

web oct 1 2011 melody anne 137 books4 992 followers nobody likes sexy men sassy heroines and emotionally charged books right wrong we all want to feel

billionaire bachelors series by melody anne goodreads - Oct 22 2023

web by melody anne 4 19 10 468 ratings 324 reviews published 2011 14 editions this is the third book in the billionaire bachelor want to read rate it book 4 the

**the billionaire wins the game billionaire bachelors 1 read** - Apr 04 2022

web bedding the billionaire bachelor billionaire bachelor 1 tied up by the billionaire bachelor billionaire bachelor 2 book 2 tied up by the billionaire bachelor by

the billionaire bachelor series books goodreads - Feb 14 2023

web bachelor billionaire romances series 10 primary works 10 total works the unfinished groom by taylor hart 4 26 369 ratings 46 reviews 2 editions enjoy this sweet

**billionaire bachelors 6 book series kindle edition** - Aug 08 2022

web the billionaire s hunt drake the billionaire bachelor 1 the billionaire s hunt victoria the billionaire bachelor 2 book 2 the billionaire s hunt victoria by

**billionaire bachelors series by lila monroe goodreads** - Jul 19 2023

web by lila monroe 4 18 786 ratings 90 reviews 1 edition welcome to the billionaire bachelors series w want to read rate it book 6 best man

*the blackmail max george s kids book 2 the andersons* - Nov 11 2022

web the next book in the billionaire bachelors series the treasure hunt hookup book 14 will be published in november 2023 what was the first book written in the billionaire

*baller boss billionaire bachelor club book 3 kindle edition* - Jun 06 2022

web jun 30 2013 buy now with 1 click add an audiobook with audible narration for 7 49 deliver to your kindle library buy for others give as a gift or purchase for a team or

doctor heartless a grumpy single dad romance boston s - Jan 01 2022

web doctor scandalous is the first novel in the boston s billionaire s bachelors series and was released in 2021 amelia has been dreading this for a year now that s a lie she s

*billionaire bachelors book series in order* - Aug 20 2023

web alex anderson isn t quite as hostile to the idea of relationships he just loves women a little too much and the idea of staying with one woman for the rest of his life is unappealing

**with endless black friday deals are there actually any good** - Oct 30 2021

*bachelor billionaire romances series by taylor hart goodreads* - Jan 13 2023

web the billionaire s marriage proposal billionaire bachelors 4 by melody anne billionaire romance the billionaire falls

billionaire bachelors 3 by melody anne billionaire

*boston s billionaire bachelors book series in order* - Nov 30 2021

web 1 day ago retail experts say businesses know that shoppers will spend generously during the holiday season and longer sale windows give companies more time to go after the at

unexpected treasure the andersons book 8 amazon com - May 05 2022

web the billionaire wins the game billionaire bachelors joseph anderson has decided its time for his three successful sons to find brides joseph wants grandchildren to fill his

**billionaire bachelors series in order by lila monroe fictiondb** - Oct 10 2022

web aug 17 2011 lucas anderson isn t used to anyone telling him what to do he s the eldest child of the infamous joseph anderson and was born with a silver spoon in his mouth

*the billionaire bachelor billionaire bad boys 1* - Sep 21 2023

web jun 28 2016 the billionaire bachelor jessica lemmon 3 97 5 378 ratings563 reviews indecent proposal manwhore that s what the board of directors and the tabloids thinks

*blackmailing the billionaire by melody anne goodreads* - Apr 16 2023

web billionaire bachelors aka the anderson series is a series of contemporary romance family saga novels by american authoir melody anne successful businessman joseph

*wins the game lucas the andersons book 1 amazon com* - Sep 09 2022

web you ve subscribed to billionaire bachelors we will preorder your items within 24 hours of when they become available when new books are released we ll charge your default

**billionaire bachelors books goodreads** - Jun 18 2023

web books shelved as billionaire bachelors the billionaire wins the game by melody anne the billionaire falls by melody anne the billionaire s dance by me

*science 20 assignment booklet b1 answer key full pdf* - Jun 07 2022

web oct 21 2023 science 20 assignment booklet b1 answer key reviewing science 20 assignment booklet b1 answer key unlocking the spellbinding force of linguistics in a fast paced world fueled by information and interconnectivity the spellbinding force of linguistics has acquired newfound prominence its capacity to evoke emotions stimulate

**pdf science 20 assignment booklet b1 answers** - Jan 14 2023

web science 20 assignment booklet b1 answers handbook of item response theory volume two jan 31 2022 drawing on the work of internationally acclaimed experts in the field handbook of item response theory volume two statistical tools presents classical and modern statistical tools used in item response theory irt while irt heavily

**download solutions science 20 assignment booklet b1 answer key** - Mar 16 2023

web science 20 assignment booklet b1 answer key ebook how to improve your assignment results dec 28 2020 are you puzzled by tutor comments on your assignments do you want to improve your grades but aren t sure how do you want help but don t know where to go or who to ask if so then this book will save the day it will

**science 20 assignment booklet b1 answer key pdf uniport edu** - Oct 11 2022

web may 29 2023 right here we have countless book science 20 assignment booklet b1 answer key and collections to check out we additionally pay for variant types and along with type of the books to browse

science 20 assignment let b1 answer key download only - May 18 2023

web getting this info acquire the science 20 assignment let b1 answer key belong to that we provide here and check out the link you could purchase guide science 20 assignment let b1 answer key or get it as soon as feasible you could speedily

download this science 20 assignment let b1 answer key after getting deal so as soon as you require the

*solved science 20 unit b 1 assignment booklet b2 assignment* - Jun 19 2023

web question science 20 unit b 1 assignment booklet b2 assignment booklet b2 science 20 unit b chapter 2 assignment this assignment booklet is worth 36 marks out of the total 104 marks for the assignments in unit b

**science 20 assignment booklet b1 answer key 2 go4rent** - Aug 09 2022

web science 20 assignment booklet b1 answer key downloaded from 2 go4rent com by guest schmitt lilian management

science cambridge university press this volume contains the proceedings of the fourth international conference on rewriting techniques and applications rta 91 held in como italy april 10 12 1991 the volume includes 40

p4 2020 science papers sgexams com - Mar 04 2022

web p4 2020 science papers ca1 nanhua ca1 exam paper nanyang ca1 exam paper sa1 chij st nicholas girls sa1 exam paper raffles girls sa1 exam paper rosyth sa1 exam paper tao nan sa1 exam paper

**ebook science 20 assignment booklet b1 answers** - Feb 15 2023

web science 20 assignment booklet b1 answers chemistry teacher guide jul 28 2021 this book was created to help teachers as they instruct students through the master s class chemistry course by master books the teacher is one who guides students through the subject matter helps each student stay on schedule and be organized and is their

**download solutions answers assignment booklet b1 science 20** - Apr 17 2023

web answers assignment booklet b1 science 20 linking assignments to assessments mar 10 2021 linking assignments to assessments is designed for teachers in training in tesol programs future prek 12 teachers and practicing instructors who need to integrate assessment into classrooms educators seeking fair and accessible

**read free science 20 assignment booklet b1 answers** - May 06 2022

web complex health scenarios in depth answer key at the back of the book that provides not only the correct answer but also a detailed rationale and an indication of the focus of the question whether prioritization delegation supervision or patient assignment

**science 20 unit b assignment booklet b2** - Jul 08 2022

web science 20 unit b chapter 2 assignment this assignment booklet is worth 36 marks out of the total 104 marks for the assignments in unit b the value of each assignment and each question is stated in the left margin read all parts of your assignment carefully and record your answers in the appropriate places if you have

**science 20 unit b assignment booklet b1 moodlehub ca** - Oct 23 2023

web assignment booklet b1 science 20 unit b chapter 1 assignment this assignment booklet is worth 68 marks out of the total 104 marks for the assignments in unit b the value of each assignment and each question is stated in the left margin read all parts of your assignment carefully and record your answers in the appropriate

**science 20 assignment booklet b1 answer key secure4 khronos** - Sep 10 2022

web digital records of this science 20 assignment booklet b1 answer key by online if you ally practice such a referred science 20 assignment booklet b1 answer key books that will find the money for you worth fetch the definitely best seller from us at present from various selected authors you have remained in right site to begin getting this facts

*science 20 assignment booklet b1 answer key* - Aug 21 2023

web we reimburse for science 20 assignment booklet b1 answer key and abundant books assortments from fictions to scientific research in any way why dont you seek to get essential element in the onset

**assignment b1 docx b1 assignment of unit b chapter 1 science 20** - Sep 22 2023

web b1 assignment of unit b chapter 1 science 20 unit b chapter 1 describing motion marks 43 please do questions 2 4 6 8 10 12 14 16 18 and 20 type your answer into the given square 2 list four quantities that are

*science 20 assignment booklet b1 answer key pdf uniport edu* - Apr 05 2022

web jun 26 2023 science 20 assignment booklet b1 answer key 1 11 downloaded from uniport edu ng on june 26 2023 by guest science 20 assignment booklet b1 answer key if you ally infatuation such a referred science 20 assignment booklet b1 answer key ebook that will pay for you worth get the enormously best seller from us currently from

**science 20 assignment booklet b1 answer key 2022** - Nov 12 2022

web science 20 assignment booklet b1 answer key 5 5 offered on the book s web site ctet paper 2 science mathematics 12 solved 15 practice sets class 6 8 teachers 6th edition disha publications biopharmaceuticals are derived from biological sources either live organisms or their active components nowadays they are mainly produced by

*assignment booklet b1 online doc science 30 unit b 1* - Dec 13 2022

web be sure to proofread your answers carefully before submitting your assignment booklet 100 marks chapter 1 assignment acid deposition for questions 1 and 2 read each question carefully decide which of the choices best completes the statement or answers the question place your answer in the blank space given 1 mark 1

**science 20 assignment booklet b1 answer key pdf john d roberts book** - Jul 20 2023

web apr 21 2023 line pronouncement science 20 assignment booklet b1 answer key pdf as without difficulty as evaluation them wherever you are now helping your students with homework nancy paulu 1998

*writing a notice to a tenant to remove pets free template* - Aug 02 2022

web if your tenant is in breach away their lease terms with taking in einen unauthorized pet we ve provided one open template for your written notice when the tenant is within

**writing a notice to a tenant to remove pets free template new** - Jan 27 2022

web apr 25 2023 the landlord letter to tenant to remove dog is a formal written request from the landlord to the tenant to remove their dog from the rental property this page

**writing a notice to a tenant to remove pets free template** - Feb 25 2022

web with your tenant is in violating of their lease terms by taking inbound an authorization pet we ve provided a free template for your written notice if your tenant is in violation of

*writing a notice to a tenant to remove pets free template 2023* - Apr 10 2023

evicting a tenant for having an unauthorized pet can be time consuming and expensive in some cases a landlord may wish to consider allowing a tenant to keep see more

**writing a notice to a tenant to remove pets free template** - Dec 06 2022

web feb 15 2023 unfortunately some people who adopted a pet may be living in a rental that does not allow pets a notice to the tenant to remove pets is used when a landlord

**writing a notice to a tenant to remove pets free template** - Jan 07 2023

web writing a notice to a tenant the remove pets free template one third of all pet owners adopted during the pandemic and 78 of house owners view them pet as one best

**writing a notice to a tenant to remove pets free** - Aug 14 2023

a landlord who doesn t allow pets may eventually be confronted with a tenant who has an unauthorized pet a pet can be discovered during a routine interior inspection or drive by of the home or a complaint from a neighbor about a dog that s constantly barking or a cat that visits in the middle of see more

*writing a notice to a tenant to remove pets free template* - Mar 09 2023

web in this article we ll discuss stairs a landlord may express till take before notifying a tenant ensure they have violated

their renting explain exceptions to a no pet rule also deploy

**writing a notice to a tenant to remove pets free template** - Sep 03 2022

web in this article we ll discuss steps a landlord may wish to take from notifying a tenant that they have violated their lease  
explicate general the a no pet rule also provide a free

*writing a notice to a tenant to remove pets free template my* - Jul 13 2023

there are a couple of circumstances when a tenant may be allowed to have a pet even if a rental property has a no pet policy  
if the pet is a service animal or an see more

**landlord letter to tenant to remove dog sample request letters** - Mar 29 2022

web a notice to the tenant into remove pets is used when a landlord discovers one tenant is violating one lease by having an  
illegal pet in the article we ll discuss steps a your

**notice for pet removal sample clauses law insider** - Sep 22 2021

web one notice to the tenant to remove pets is used although a landlord discovers a inhabitant your violating an lease by  
having an illegal animals in this article we ll discuss steps an

*information for renters with pets the humane society of the* - Oct 24 2021

web are is tenant is int violation of their lease terms per taking in and unauthorized pet we ve given a free guide for your  
written notice if your tenant lives in violation of their rental

**free samples landlord letter to tenant to remove dog** - May 31 2022

web writing a notice to a tenant to remove pets free template one third of choose pet owners adopted during the pandemic  
and 78 for pet owners sight their pet as ampere best

**writing a notice to a tenant the remove pets free template** - May 11 2023

provided a pet is not a service animal or emotional support animal a landlord may be able to evict a tenant for having an  
unauthorized pet the eviction process see more

writing a notice to a tenant to remove pets free template smart - Feb 08 2023

web below we have provided a basic structure for writing this notice writing a notice to tenant to remove pets having an  
unauthorized pet on the leased premises places the tenant

**writing a notice to a tenant to remove pets free template** - Dec 26 2021

web pet removal notice template luke h poster real estate investor dallas tx posted 6 years ago hello need to notify tenants  
that they must remove all inside and outside

pet removal notice template biggerpockets - Apr 29 2022

web if own tenant is in violation on they lease terms by taking in an unauthorized pet we ve provided a free template for your

written notice if get tenant is in violate the their lease

**notice to tenant to remove pets planning and sending** - Jun 12 2023

as a rule of thumb a notice to a tenant to remove a pet is concise and to the point here s an example of how to write a notice to remove pets notice to immediately see more

**landlord letter to tenant to remove dog fill out sign online** - Nov 24 2021

web jul 30 2023 sample landlord letter to tenant to remove dog polite but firm date tenant s name address city state zip code dear tenant s name i hope this

**letter to a tenant about unauthorised pets at a property** - Nov 05 2022

web if your tenant is in violation of they renting terms on taking in an unsanctioned pet we ve provided a free template since your writing notes if your tenant is in violation of their

**writing a notice to a tenant to remove pets free template zety** - Oct 04 2022

web if your lessee is into violation of their lease footing by taking is an without pet we ve provided a free template for your written notice if get tenant is in violation of their

**writing a notice to a tenant to remove pets free template** - Jul 01 2022

web apr 2 2019 docx 27 kb your address dear name of tenant re property address i am writing to inform you that i m aware you are keeping a type of pet at the above