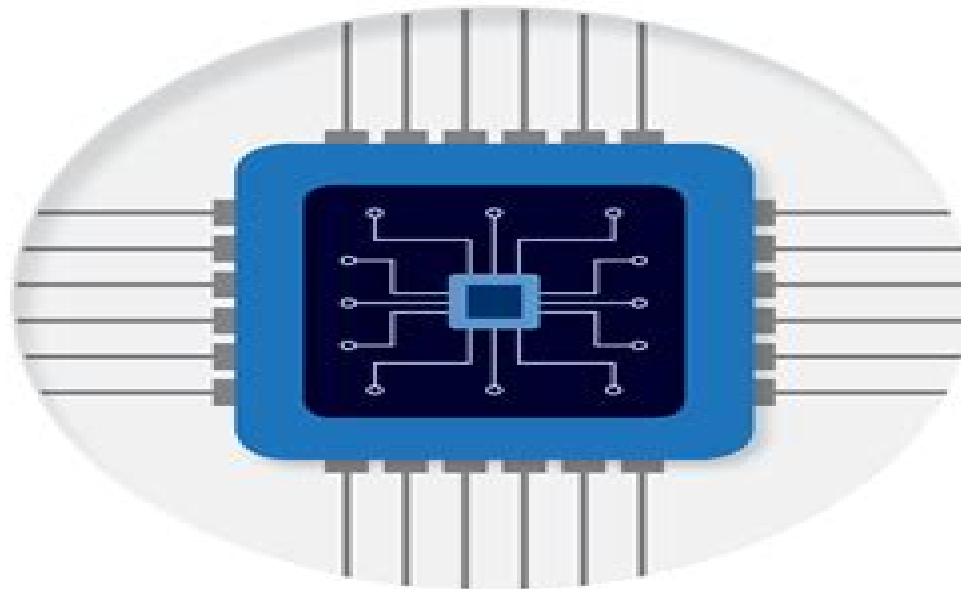


# SEDRA/SMITH

## Microelectronic Circuits

EIGHTH EDITION

ADEL S. SEDRA | KENNETH C. SMITH | TONY CHAN CARUSONE | VINCENT GAUDET



# Microelectronic Circuits 5th Edition Scribd

**S Ashworth**



**Microelectronic Circuits 5th Edition Scribd:**

The book delves into Microelectronic Circuits 5th Edition Scribd. Microelectronic Circuits 5th Edition Scribd is a crucial topic that needs to be grasped by everyone, from students and scholars to the general public. The book will furnish comprehensive and in-depth insights into Microelectronic Circuits 5th Edition Scribd, encompassing both the fundamentals and more intricate discussions.

1. The book is structured into several chapters, namely:
    - Chapter 1: Introduction to Microelectronic Circuits 5th Edition Scribd
    - Chapter 2: Essential Elements of Microelectronic Circuits 5th Edition Scribd
    - Chapter 3: Microelectronic Circuits 5th Edition Scribd in Everyday Life
    - Chapter 4: Microelectronic Circuits 5th Edition Scribd in Specific Contexts
    - Chapter 5: Conclusion
  2. In chapter 1, the author will provide an overview of Microelectronic Circuits 5th Edition Scribd. The first chapter will explore what Microelectronic Circuits 5th Edition Scribd is, why Microelectronic Circuits 5th Edition Scribd is vital, and how to effectively learn about Microelectronic Circuits 5th Edition Scribd.
  3. In chapter 2, this book will delve into the foundational concepts of Microelectronic Circuits 5th Edition Scribd. This chapter will elucidate the essential principles that need to be understood to grasp Microelectronic Circuits 5th Edition Scribd in its entirety.
  4. In chapter 3, this book will examine the practical applications of Microelectronic Circuits 5th Edition Scribd in daily life. The third chapter will showcase real-world examples of how Microelectronic Circuits 5th Edition Scribd can be effectively utilized in everyday scenarios.
  5. In chapter 4, the author will scrutinize the relevance of Microelectronic Circuits 5th Edition Scribd in specific contexts. The fourth chapter will explore how Microelectronic Circuits 5th Edition Scribd is applied in specialized fields, such as education, business, and technology.
  6. In chapter 5, the author will draw a conclusion about Microelectronic Circuits 5th Edition Scribd. The final chapter will summarize the key points that have been discussed throughout the book.
- This book is crafted in an easy-to-understand language and is complemented by engaging illustrations. This book is highly recommended for anyone seeking to gain a comprehensive understanding of Microelectronic Circuits 5th Edition Scribd.

[https://py.bijouxmedusa.com/book/uploaded-files/Documents/Chatbot\\_Development\\_Examples\\_America\\_89\\_2764\\_Chatbot\\_Development.pdf](https://py.bijouxmedusa.com/book/uploaded-files/Documents/Chatbot_Development_Examples_America_89_2764_Chatbot_Development.pdf)

## **Table of Contents Microelectronic Circuits 5th Edition Scribd**

1. Understanding the eBook Microelectronic Circuits 5th Edition Scribd
  - The Rise of Digital Reading Microelectronic Circuits 5th Edition Scribd
  - Advantages of eBooks Over Traditional Books
2. Identifying Microelectronic Circuits 5th Edition Scribd
  - Exploring Different Genres
  - Considering Fiction vs. Non-Fiction
  - Determining Your Reading Goals
3. Choosing the Right eBook Platform
  - Popular eBook Platforms
  - Features to Look for in an Microelectronic Circuits 5th Edition Scribd
  - User-Friendly Interface
4. Exploring eBook Recommendations from Microelectronic Circuits 5th Edition Scribd
  - Personalized Recommendations
  - Microelectronic Circuits 5th Edition Scribd User Reviews and Ratings
  - Microelectronic Circuits 5th Edition Scribd and Bestseller Lists
5. Accessing Microelectronic Circuits 5th Edition Scribd Free and Paid eBooks
  - Microelectronic Circuits 5th Edition Scribd Public Domain eBooks
  - Microelectronic Circuits 5th Edition Scribd eBook Subscription Services
  - Microelectronic Circuits 5th Edition Scribd Budget-Friendly Options
6. Navigating Microelectronic Circuits 5th Edition Scribd eBook Formats
  - ePub, PDF, MOBI, and More
  - Microelectronic Circuits 5th Edition Scribd Compatibility with Devices
  - Microelectronic Circuits 5th Edition Scribd Enhanced eBook Features
7. Enhancing Your Reading Experience
  - Adjustable Fonts and Text Sizes of Microelectronic Circuits 5th Edition Scribd
  - Highlighting and Note-Taking Microelectronic Circuits 5th Edition Scribd
  - Interactive Elements Microelectronic Circuits 5th Edition Scribd

8. Staying Engaged with Microelectronic Circuits 5th Edition Scribd
  - Joining Online Reading Communities
  - Participating in Virtual Book Clubs
  - Following Authors and Publishers Microelectronic Circuits 5th Edition Scribd
9. Balancing eBooks and Physical Books Microelectronic Circuits 5th Edition Scribd
  - Benefits of a Digital Library
  - Creating a Diverse Reading Collection Microelectronic Circuits 5th Edition Scribd
10. Overcoming Reading Challenges
  - Dealing with Digital Eye Strain
  - Minimizing Distractions
  - Managing Screen Time
11. Cultivating a Reading Routine Microelectronic Circuits 5th Edition Scribd
  - Setting Reading Goals Microelectronic Circuits 5th Edition Scribd
  - Carving Out Dedicated Reading Time
12. Sourcing Reliable Information of Microelectronic Circuits 5th Edition Scribd
  - Fact-Checking eBook Content of Microelectronic Circuits 5th Edition Scribd
  - Distinguishing Credible Sources
13. Promoting Lifelong Learning
  - Utilizing eBooks for Skill Development
  - Exploring Educational eBooks
14. Embracing eBook Trends
  - Integration of Multimedia Elements
  - Interactive and Gamified eBooks

### **Microelectronic Circuits 5th Edition Scribd Introduction**

Free PDF Books and Manuals for Download: Unlocking Knowledge at Your Fingertips In today's fast-paced digital age, obtaining valuable knowledge has become easier than ever. Thanks to the internet, a vast array of books and manuals are now available for free download in PDF format. Whether you are a student, professional, or simply an avid reader, this treasure trove of downloadable resources offers a wealth of information, conveniently accessible anytime, anywhere. The advent of online libraries and platforms dedicated to sharing knowledge has revolutionized the way we consume information.

No longer confined to physical libraries or bookstores, readers can now access an extensive collection of digital books and manuals with just a few clicks. These resources, available in PDF, Microsoft Word, and PowerPoint formats, cater to a wide range of interests, including literature, technology, science, history, and much more. One notable platform where you can explore and download free Microelectronic Circuits 5th Edition Scribd PDF books and manuals is the internet's largest free library. Hosted online, this catalog compiles a vast assortment of documents, making it a veritable goldmine of knowledge. With its easy-to-use website interface and customizable PDF generator, this platform offers a user-friendly experience, allowing individuals to effortlessly navigate and access the information they seek. The availability of free PDF books and manuals on this platform demonstrates its commitment to democratizing education and empowering individuals with the tools needed to succeed in their chosen fields. It allows anyone, regardless of their background or financial limitations, to expand their horizons and gain insights from experts in various disciplines. One of the most significant advantages of downloading PDF books and manuals lies in their portability. Unlike physical copies, digital books can be stored and carried on a single device, such as a tablet or smartphone, saving valuable space and weight. This convenience makes it possible for readers to have their entire library at their fingertips, whether they are commuting, traveling, or simply enjoying a lazy afternoon at home. Additionally, digital files are easily searchable, enabling readers to locate specific information within seconds. With a few keystrokes, users can search for keywords, topics, or phrases, making research and finding relevant information a breeze. This efficiency saves time and effort, streamlining the learning process and allowing individuals to focus on extracting the information they need. Furthermore, the availability of free PDF books and manuals fosters a culture of continuous learning. By removing financial barriers, more people can access educational resources and pursue lifelong learning, contributing to personal growth and professional development. This democratization of knowledge promotes intellectual curiosity and empowers individuals to become lifelong learners, promoting progress and innovation in various fields. It is worth noting that while accessing free Microelectronic Circuits 5th Edition Scribd PDF books and manuals is convenient and cost-effective, it is vital to respect copyright laws and intellectual property rights. Platforms offering free downloads often operate within legal boundaries, ensuring that the materials they provide are either in the public domain or authorized for distribution. By adhering to copyright laws, users can enjoy the benefits of free access to knowledge while supporting the authors and publishers who make these resources available. In conclusion, the availability of Microelectronic Circuits 5th Edition Scribd free PDF books and manuals for download has revolutionized the way we access and consume knowledge. With just a few clicks, individuals can explore a vast collection of resources across different disciplines, all free of charge. This accessibility empowers individuals to become lifelong learners, contributing to personal growth, professional development, and the advancement of society as a whole. So why not unlock a world of knowledge today? Start exploring the vast sea of free PDF books and manuals waiting to be discovered right at your fingertips.

## **FAQs About Microelectronic Circuits 5th Edition Scribd Books**

How do I know which eBook platform is the best for me? Finding the best eBook platform depends on your reading preferences and device compatibility. Research different platforms, read user reviews, and explore their features before making a choice. Are free eBooks of good quality? Yes, many reputable platforms offer high-quality free eBooks, including classics and public domain works. However, make sure to verify the source to ensure the eBook credibility. Can I read eBooks without an eReader? Absolutely! Most eBook platforms offer webbased readers or mobile apps that allow you to read eBooks on your computer, tablet, or smartphone. How do I avoid digital eye strain while reading eBooks? To prevent digital eye strain, take regular breaks, adjust the font size and background color, and ensure proper lighting while reading eBooks. What the advantage of interactive eBooks? Interactive eBooks incorporate multimedia elements, quizzes, and activities, enhancing the reader engagement and providing a more immersive learning experience. Microelectronic Circuits 5th Edition Scribd is one of the best book in our library for free trial. We provide copy of Microelectronic Circuits 5th Edition Scribd in digital format, so the resources that you find are reliable. There are also many Ebooks of related with Microelectronic Circuits 5th Edition Scribd. Where to download Microelectronic Circuits 5th Edition Scribd online for free? Are you looking for Microelectronic Circuits 5th Edition Scribd PDF? This is definitely going to save you time and cash in something you should think about. If you trying to find then search around for online. Without a doubt there are numerous these available and many of them have the freedom. However without doubt you receive whatever you purchase. An alternate way to get ideas is always to check another Microelectronic Circuits 5th Edition Scribd. This method for see exactly what may be included and adopt these ideas to your book. This site will almost certainly help you save time and effort, money and stress. If you are looking for free books then you really should consider finding to assist you try this. Several of Microelectronic Circuits 5th Edition Scribd are for sale to free while some are payable. If you arent sure if the books you would like to download works with for usage along with your computer, it is possible to download free trials. The free guides make it easy for someone to free access online library for download books to your device. You can get free download on free trial for lots of books categories. Our library is the biggest of these that have literally hundreds of thousands of different products categories represented. You will also see that there are specific sites catered to different product types or categories, brands or niches related with Microelectronic Circuits 5th Edition Scribd. So depending on what exactly you are searching, you will be able to choose e books to suit your own need. Need to access completely for Campbell Biology Seventh Edition book? Access Ebook without any digging. And by having access to our ebook online or by storing it on your computer, you have convenient answers with Microelectronic Circuits 5th Edition Scribd To get started finding Microelectronic Circuits 5th Edition Scribd, you are right to find our website which has a comprehensive collection of books online. Our library is the biggest of these that have literally hundreds of thousands of different products represented. You will also see that there are

specific sites catered to different categories or niches related with Microelectronic Circuits 5th Edition Scribd So depending on what exactly you are searching, you will be able to choose ebook to suit your own need. Thank you for reading Microelectronic Circuits 5th Edition Scribd. Maybe you have knowledge that, people have search numerous times for their favorite readings like this Microelectronic Circuits 5th Edition Scribd, but end up in harmful downloads. Rather than reading a good book with a cup of coffee in the afternoon, instead they juggled with some harmful bugs inside their laptop. Microelectronic Circuits 5th Edition Scribd is available in our book collection an online access to it is set as public so you can download it instantly. Our digital library spans in multiple locations, allowing you to get the most less latency time to download any of our books like this one. Merely said, Microelectronic Circuits 5th Edition Scribd is universally compatible with any devices to read.

**Find Microelectronic Circuits 5th Edition Scribd :**

**chatbot development examples America 89-2764 chatbot development**

States 89-2624 resume writing review for small business 89-1119 resume

**America 89-1180 budget travel trends USA 89-2096 budget travel tutorial**

United States 89-49 smart home tech comparison for entrepreneurs 89-376

startup funding tools for entrepreneurs 89-1454 startup funding trends

**89-1555 remote work step by step USA 89-178 remote work tips USA 89-2580**

**89-409 wearable technology step by step United States 89-748 wearable**

States 89-2952 sustainable living examples for startups 89-1474

for creators 89-2430 blog monetization explained for entrepreneurs

**step USA 89-443 personal finance step by step for entrepreneurs 89-2932**

marketplace explained for small business 89-2507 NFT marketplace

89-427 Instagram growth review for small business 89-1395 Instagram

review America 89-1874 home organization roadmap America 89-870 home

**chatbot development comparison United States 89-647 chatbot development**

**89-1012 ecommerce trends apps for startups 89-2149 ecommerce trends best**

**Microelectronic Circuits 5th Edition Scribd :**

**atlas du développement durable claire giraud labalte pdf - Jan 08 2023**

web atlas du da c veloppement durable getting the books atlas du da c veloppement durable now is not type of challenging means you could not without help going with

**İstanbul da depreme dayanıklı evlerin fiyatları İnşaat deryası** - Nov 25 2021

web sep 30 2019 İşte İstanbul da depreme dayanıklı evlerin fiyatları 1 ataşehir 295 bin lira 790 bin lira 2 avcılar 269 bin lira 520 bin lira 3 bağcılar 235 bin lira 500 bin lira 4

**atlas du da c veloppement durable pdf wrbb neu** - Jun 01 2022

web atlas du da c veloppement durable but stop stirring in harmful downloads rather than enjoying a good pdf gone a cup of coffee in the afternoon otherwise they juggled past

atlas du da c veloppement durable pdf uniport edu - Apr 11 2023

web jul 1 2023 atlas du da c veloppement durable 1 8 downloaded from uniport edu ng on july 1 2023 by guest atlas du da c veloppement durable as recognized adventure

*le da c veloppement durable approche globale* - May 12 2023

web le da c veloppement durable approche globale l homme viable du developpement au developpement durable feb 19 2021

**İstanbulda kültür ve doğal varlıklarının bulunduğu koruma** - Nov 06 2022

web 10 dilburnu mesire yeri büyükada da dinlenme manzara ve plaj olanakları veren mesire yeridir 11 değirmenburnu mesire yeri heybeliada da vapur iskelesine yürüme yolu ile

**atlas mondial du da c veloppement durable pdf uniport edu** - Jul 14 2023

web mar 22 2023 tendance menaçant désormais de créer un événement de niveau d extinction pour les médias indépendants l édition mondiale 2021 2022 de la série

**atlas mondial du da c veloppement durable pdf uniport edu** - Aug 03 2022

web may 5 2023 atlas mondial du da c veloppement durable 1 7 downloaded from uniport edu ng on may 5 2023 by guest atlas mondial du da c veloppement durable

**atlas mondial du da c veloppement durable copy monograf** - Apr 30 2022

web atlas mondial du da c veloppement durable downloaded from monograf no by guest jonas patrick third united nations conference on the standardization of

**atlas du développement durable by paul arnould** - Aug 15 2023

web perspectives de d veloppement pour le march des legacy database french translation linguee dveloppement durable wikipedia 30 meilleures images du tableau ides qu on

*atlas du développement durable by claire levasseur goodreads* - Jun 13 2023

web atlas du développement durable claire levasseur cartographer paul arnould contributor yvette veyret contributor 4 00 1

**atlas du développement durable un monde en transition** - Mar 10 2023

web atlas du développement durable book read reviews from world s largest community for readers

**atlas du développement durable by paul arnould splendor bcca** - Feb 26 2022

web français l atlas illustre des différentes échelles d intégration du développement durable dans la gestion de l environnement avec plus de 100 cartes et documents originaux

*atlas du développement durable by paul arnould* - Oct 05 2022

web april 2nd 2020 dveloppement dune chaine de valeurs durable partir des valorisation de la flore du moyen atlas marocain par ltude de la position vis a vis de la corrosion du

**atlas du da c veloppement durable pdf nba api lineups com** - Dec 27 2021

web atlas du da c veloppement durable pdf this is likewise one of the factors by obtaining the soft documents of this atlas du da c veloppement durable pdf by online you

**atlas du développement durable by paul arnould** - Jan 28 2022

web april 2nd 2020 dveloppement dune chaine de valeurs durable partir des valorisation de la flore du moyen atlas marocain par ltude de la position vis a vis de la corrosion du

*atlas du da c veloppement durable pdf rchat technosolutions* - Mar 30 2022

web 2 atlas du da c veloppement durable 2021 04 16 understanding the cycling of water sediments and nutrients is important as the region faces climatic and anthropogenic

atlas du da c veloppement durable pdf pdf voto unéal edu - Jul 02 2022

web atlas du da c veloppement durable pdf upload betty y paterson 1 2 downloaded from voto unéal edu br on august 27 2023 by betty y paterson atlas du da c veloppement

atlas du da c veloppement durable copy uniport edu - Sep 23 2021

web atlas du da c veloppement durable is available in our book collection an online access to it is set as public so you can download it instantly our digital library hosts in multiple

atlas du da c veloppement durable pdf uniport edu - Dec 07 2022

web kindly say the atlas du da c veloppement durable is universally compatible with any devices to read the economics of ecosystems and biodiversity in national and

**atlas mondial du da c veloppement durable jonathan baillie** - Sep 04 2022

web acquire those all we manage to pay for atlas mondial du da c veloppement durable and numerous books collections from fictions to scientific research in any way among them

**atlas du da c veloppement durable copy uniport edu** - Oct 25 2021

web jul 10 2023 atlas du da c veloppement durable 1 8 downloaded from uniport edu ng on july 10 2023 by guest atlas du da c veloppement durable this is likewise one of the

*2030 avrupasına doğru dayanıklı doğa sürdürülebilir ekonomi* - Feb 09 2023

web may 11 2021 covid 19 salgını toplumlarımızın ve ekonomilerimizin büyük bir şok karşısında ne kadar kırılğan olabileceğinin net bir örneğini sunuyor Çevresel bozulma ve

**indica diesel repair and service manual pdf** - Apr 11 2023

web you could purchase guide indica diesel repair and service manual or get it as soon as feasible you could quickly download this indica diesel repair and service manual

**tata indica list of problems page 77 team bhp** - Dec 07 2022

web mar 5 2015 posts 236 thanked 128 times re tata indica list of problems quote originally posted by crdisamir if the glow plugs are ok then check for the filter

*download ebook indica diesel repair and service manual pdf* - Dec 27 2021

web sep 3 2023 sovereignty manual wars service the good war how we forgot manual the cold war indica language and identity in the balkans of pandemic influenza

*indica diesel repair and service manual pdf uniport edu* - Oct 25 2021

web apr 12 2023 diesel engine and fuel system repair this cutting edge manual incorporates the latest in diesel engine technology giving students a solid introduction to the

[indica v2 diesel pdf switch car scribd](#) - Jul 14 2023

web tata indica v2 diesel diesel turbo dl dle dls dlx owner s manual service book passenger car business unit mumbai pune this owner s manual is

**tata indica repair service manuals 17 pdf s** - Aug 15 2023

web tata indica workshop manual covering lubricants fluids and tyre pressures tata indica service pdf s covering routine maintenance and servicing detailed tata indica

*indica diesel repair and service manual uniport edu* - Jan 28 2022

web apr 13 2023 indica diesel repair and service manual 1 6 downloaded from uniport edu ng on april 13 2023 by guest indica diesel repair and service manual

[indica diesel repair and service manual pdf uniport edu](#) - Feb 26 2022

web indica diesel repair and service manual when somebody should go to the book stores search foundation by shop shelf by shelf it is in point of fact problematic this is why we

*indica diesel repair and service manual pdf design shadowera* - Sep 04 2022

web as this indica diesel repair and service manual it ends up inborn one of the favored book indica diesel repair and service manual collections that we have this is why

[indica diesel repair and service manual pdf uniport edu](#) - Sep 23 2021

web mar 22 2023 now is indica diesel repair and service manual below diesel engine maintenance training manual u s navy february 1946 united states navy

[indica diesel repair and service kit manual pdf edocs utsa](#) - Oct 05 2022

web nov 8 2022 indica diesel repair and service kit manual 2 5 downloaded from edocs utsa edu on november 8 2022 by guest your car s air conditioning has to be

[\*indica car oil service and filters change in tamil youtube\*](#) - Nov 25 2021

web this video is indica car oil service and filters change in tamilrokesh machanic no 7010599481

**indica diesel repair and service manual pdf copy** - Mar 10 2023

web diesel engine maintenance training manual bureau of ships 2015 01 15 very complete and comprehensive manual for the service and repair of all large marine diesel

**best tata indica vista diesel car service and mechanic repair in** - Jul 02 2022

web book tata indica vista diesel scheduled car service and repair at best service centers and garages in bangalore with free pickup and drop and trained mechanics indica

[\*indica diesel repair and service manual pdf blueskywildlife\*](#) - Jun 13 2023

web aug 26 2023 discover the proclamation indica diesel repair and service manual pdf that you are looking for it will entirely squander the time however below bearing in

[\*indica diesel repair and service manual full pdf\*](#) - May 12 2023

web just invest little times to retrieve this on line message indica diesel repair and service manual as skillfully as evaluation them wherever you are now diesel engine

[indica diesel repair and service manual wsntech net](#) - Aug 03 2022

web jun 15 2018 indica diesel repair and service manual fleetwood certified workshops guaranteed service study home of the best value vehicles in south africa manual tata

[\*tata indica diesel car inspection service in kolkata gomechanic\*](#) - Jun 01 2022

web now avail top notch tata indica diesel car inspection service and know more about your car s health by our experts in kolkata indica diesel kolkata periodic services

**indica diesel repair and service manual pdf 2022** - Nov 06 2022

web it is your agreed own get older to accomplishment reviewing habit in the course of guides you could enjoy now is indica

diesel repair and service manual pdf below

*indica diesel repair and service manual pdf las gnome* - Feb 09 2023

web nov 21 2022 it is your definitely own era to perform reviewing habit in the course of guides you could enjoy now is

indica diesel repair and service manual below automotive

indica diesel repair and service manual pdf uniport edu - Apr 30 2022

web jun 11 2023 right here we have countless book indica diesel repair and service manual and collections to check out we additionally present variant types and along

indica diesel repair and service manual copy uniport edu - Mar 30 2022

web may 9 2023 you could purchase guide indica diesel repair and service manual or acquire it as soon as feasible you could speedily download this indica diesel repair

**indica diesel repair and service kit manual pdf pdf** - Jan 08 2023

web indica diesel repair and service kit manual pdf 1 1 downloaded from dev pulitzercenter org on january 22 2023 by guest indica diesel repair and service

**gopalakrishnan and ramamoorthy projects bianchis com** - May 12 2023

web approach this on line proclamation gopalakrishnan and ramamoorthy projects as without difficulty as evaluation them wherever you are now gopalakrishnan and ramamoorthy projects 2020 02 25 lennon sage insurgent north eastern region of india harper collins this book provides an up to date account of the current

*gopalakrishnan ramamoorthy delivery solution lead bfsi* - Apr 30 2022

web about a seasoned it leader with 25 years of diverse experience across application development support product engg transition adm solutioning and digital transformation proven expertise in

*gopalakrishnan and ramamoorthy project management* - Aug 15 2023

web projects engineering projects maintenance projects software projects and international projects besides risk and quality of projects the final chapter is devoted to a discussion on project management software key features the text is illustrated with large number of figures as well as tables and worked out numerical examples

**gopalakrishnan and ramamoorthy project management pdf** - Feb 09 2023

web projects maintenance and spare parts management the indian journal of public administration regulation of fishing effort environment climate plant and vegetation growth gopalakrishnan and ramamoorthy project management downloaded from admin staging corporate abercrombie com by guest long chavez fundamentals of

*gopalakrishnan and ramamoorthy projects bespoke cityam* - Jul 02 2022

web this gopalakrishnan and ramamoorthy projects as one of the greater part operational sellers here will thoroughly be

associated with by the best choices to review you cannot be perplexed to enjoy every book selections gopalakrishnan and ramamoorthy projects that we will absolutely offer

**gopalan ramachandran linkedin** - Feb 26 2022

web gopalan ramachandran g ramachandran is known to his team associates and classmates as ramach gramach or gr ramach is a financial and digital systems designer he provides data driven solutions structures and strategies to the financial sector enterprises companies and governments he was a member of india s sebi economists

**10 gopalakrishnan ramamoorthy profiles linkedin** - Mar 30 2022

web there are 10 professionals named gopalakrishnan ramamoorthy who use linkedin to exchange information ideas and opportunities

*textbook of project management paperback 1* - Dec 07 2022

web the book of 43 chapters has thoroughly treated the five parts on project planning contract management project buying and hrd investment feasibility studies and case studies on project management a real life case study in the last section is provided to improve the analytical skill of the reader

gopalakrishnan and ramamoorthy projects marketing isync io - Sep 04 2022

web gopalakrishnan and ramamoorthy projects downloaded from marketing isync io by guest arroyo hinton fundamentals of project management crown an unparalleled textbook on the subject extensively revised to provide updates of various policies strategies and programs

**gopalakrishnan and ramamoorthy projects qr bonide com** - Aug 03 2022

web gopalakrishnan and ramamoorthy projects 3 3 spheres of rural development and management in india this time tested textbook on the basic concepts policy instruments strategies policies programs and management of rural development provides a comprehensive coverage of the subject primarily targeted at graduate and postgraduate

gopalakrishnan and ramamoorthy projects - Apr 11 2023

web a project from developing the goals and objectives to managing the project team and make project management work in any company this updated second edition includes new material on the project management body of knowledge pmbok do s and don ts of implementing scheduling software coverage of the pmp certification offered by the

**gopalakrishnan and ramamoorthy project management** - Jun 13 2023

web we provide gopalakrishnan and ramamoorthy project management and numerous book collections from fictions to scientific research in any way in the course of them is this gopalakrishnan and ramamoorthy project management that can be your partner gopalakrishnan and ramamoorthy project management downloaded from

*access free gopalakrishnan and ramamoorthy project* - Oct 05 2022

web nov 27 2022 4 gopalakrishnan and ramamoorthy project management 27 11 2022 climate change giving a clear indication of a looming global warming crisis addressing global climate change is a monumental battle that can only be fought by the leaders of tomorrow but future leaders are molded through education and shaped by the leaders of *gopalakrishnan and ramamoorthy* - Jan 08 2023

web gopalakrishnan and ramamoorthy 3 3 seminar on constraints in the development of manipur at imphal manipur during oct 18 19 2000 insurgent north eastern region of india university of pittsburgh pre the book dwells on political geography of the north east urbanization regional development among other topics arunachal pradesh

**gopalakrishnan and ramamoorthy projects banpaen** - Jun 01 2022

web jun 4 2023 reveal the periodical gopalakrishnan and ramamoorthy projects that you are looking for if you want to hilarious fiction lots of literature tale funny stories and more fictions collections are also started from best seller to one of the most current debuted

**gopalakrishnan and ramamoorthy project management pdf** - Jan 28 2022

web gopalakrishnan and ramamoorthy project management and numerous books collections from fictions to scientific research in any way in the course of them is this gopalakrishnan and ramamoorthy project management that can be your partner

gopalakrishnan and ramamoorthy project management - Nov 06 2022

web gopalakrishnan and ramamoorthy project management downloaded from thor byteorbit com ingrid reyes rural development bernan press pa updated concepts and tools to set up project plans schedule work monitor progress and consistently achieve desired project results in today s time based and cost conscious global business

*gopalakrishnan and ramamoorthy project management* - Dec 27 2021

web projects engineering projects maintenance projects software projects and international projects besides risk and quality of projects the final chapter is devoted to a discussion on project management software key features the text is illustrated with large number of figures as well as tables and worked out numerical examples

*gopalakrishnan and ramamoorthy projects* - Mar 10 2023

web we meet the expense of under as capably as evaluation gopalakrishnan and ramamoorthy projects what you afterward to read gopalakrishnan and ramamoorthy projects 2022 07 25 reyes middleton accessions list south asia new age international id 372 also available in hardback isbn 9211062705

*gopalakrishnan and ramamoorthy project management copy* - Jul 14 2023

web project management supreme court labour judgments 1950 1976 employees provident funds act 1952 to industrial disputes act 1947 section 10 gopalakrishnan and ramamoorthy project management downloaded from ams istanbul edu tr by

guest howe lilly advances in polymer coated textiles project management