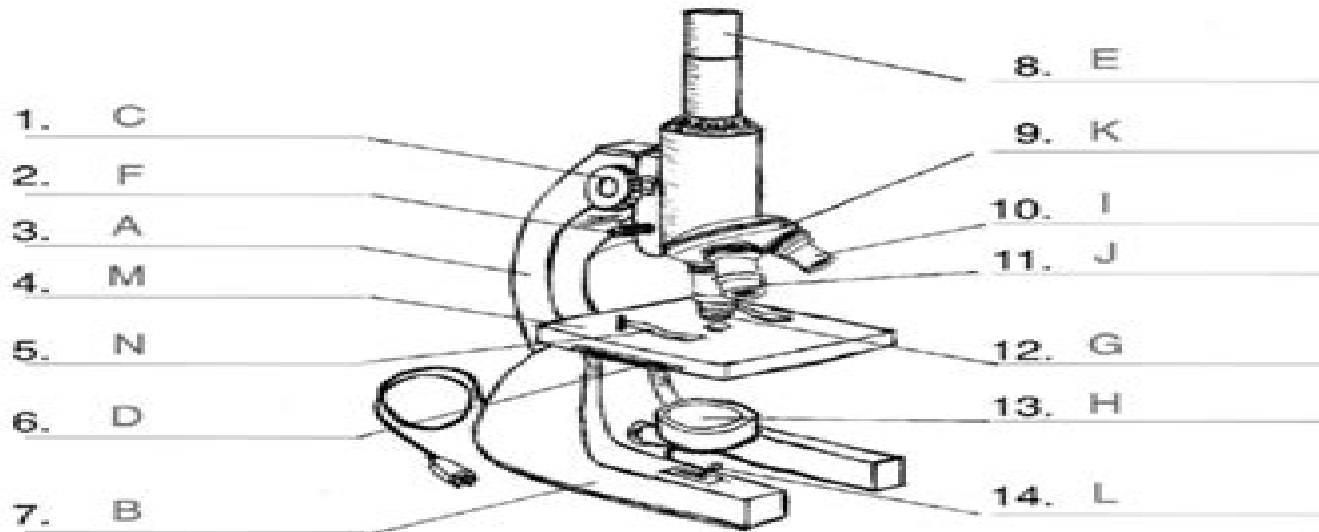


Name           KEY            
Period                           

### Quiz: Using a Microscope

Label the parts of the microscope. Write the correct letter in each blank.

- |                                 |                                |
|---------------------------------|--------------------------------|
| A. arm                          | H. lamp                        |
| B. base                         | I. low power objective lens    |
| C. coarse adjustment knob       | J. medium power objective lens |
| D. diaphragm (light adjustment) | K. nosepiece                   |
| E. eye piece                    | L. on/off switch               |
| F. fine adjustment knob         | M. stage                       |
| G. high power objective lens    | N. stage clips                 |



# Microscope Test Questions And Answers

**Albert A Gayle**



## **Microscope Test Questions And Answers:**

## Reviewing **Microscope Test Questions And Answers**: Unlocking the Spellbinding Force of Linguistics

In a fast-paced world fueled by information and interconnectivity, the spellbinding force of linguistics has acquired newfound prominence. Its capacity to evoke emotions, stimulate contemplation, and stimulate metamorphosis is really astonishing. Within the pages of "**Microscope Test Questions And Answers**," an enthralling opus penned by a highly acclaimed wordsmith, readers set about an immersive expedition to unravel the intricate significance of language and its indelible imprint on our lives. Throughout this assessment, we shall delve to the book is central motifs, appraise its distinctive narrative style, and gauge its overarching influence on the minds of its readers.

[https://py.bijouxmedusa.com/public/scholarship/Documents/89\\_2911\\_Chatbot\\_Development\\_Review\\_For\\_Entrepreneurs\\_89\\_56\\_Chatbot.pdf](https://py.bijouxmedusa.com/public/scholarship/Documents/89_2911_Chatbot_Development_Review_For_Entrepreneurs_89_56_Chatbot.pdf)

### **Table of Contents Microscope Test Questions And Answers**

1. Understanding the eBook Microscope Test Questions And Answers
  - The Rise of Digital Reading Microscope Test Questions And Answers
  - Advantages of eBooks Over Traditional Books
2. Identifying Microscope Test Questions And Answers
  - Exploring Different Genres
  - Considering Fiction vs. Non-Fiction
  - Determining Your Reading Goals
3. Choosing the Right eBook Platform
  - Popular eBook Platforms
  - Features to Look for in an Microscope Test Questions And Answers
  - User-Friendly Interface
4. Exploring eBook Recommendations from Microscope Test Questions And Answers
  - Personalized Recommendations
  - Microscope Test Questions And Answers User Reviews and Ratings

- Microscope Test Questions And Answers and Bestseller Lists
- 5. Accessing Microscope Test Questions And Answers Free and Paid eBooks
  - Microscope Test Questions And Answers Public Domain eBooks
  - Microscope Test Questions And Answers eBook Subscription Services
  - Microscope Test Questions And Answers Budget-Friendly Options
- 6. Navigating Microscope Test Questions And Answers eBook Formats
  - ePub, PDF, MOBI, and More
  - Microscope Test Questions And Answers Compatibility with Devices
  - Microscope Test Questions And Answers Enhanced eBook Features
- 7. Enhancing Your Reading Experience
  - Adjustable Fonts and Text Sizes of Microscope Test Questions And Answers
  - Highlighting and Note-Taking Microscope Test Questions And Answers
  - Interactive Elements Microscope Test Questions And Answers
- 8. Staying Engaged with Microscope Test Questions And Answers
  - Joining Online Reading Communities
  - Participating in Virtual Book Clubs
  - Following Authors and Publishers Microscope Test Questions And Answers
- 9. Balancing eBooks and Physical Books Microscope Test Questions And Answers
  - Benefits of a Digital Library
  - Creating a Diverse Reading Collection Microscope Test Questions And Answers
- 10. Overcoming Reading Challenges
  - Dealing with Digital Eye Strain
  - Minimizing Distractions
  - Managing Screen Time
- 11. Cultivating a Reading Routine Microscope Test Questions And Answers
  - Setting Reading Goals Microscope Test Questions And Answers
  - Carving Out Dedicated Reading Time
- 12. Sourcing Reliable Information of Microscope Test Questions And Answers
  - Fact-Checking eBook Content of Microscope Test Questions And Answers
  - Distinguishing Credible Sources

13. Promoting Lifelong Learning
  - Utilizing eBooks for Skill Development
  - Exploring Educational eBooks
14. Embracing eBook Trends
  - Integration of Multimedia Elements
  - Interactive and Gamified eBooks

### **Microscope Test Questions And Answers Introduction**

In this digital age, the convenience of accessing information at our fingertips has become a necessity. Whether its research papers, eBooks, or user manuals, PDF files have become the preferred format for sharing and reading documents. However, the cost associated with purchasing PDF files can sometimes be a barrier for many individuals and organizations. Thankfully, there are numerous websites and platforms that allow users to download free PDF files legally. In this article, we will explore some of the best platforms to download free PDFs. One of the most popular platforms to download free PDF files is Project Gutenberg. This online library offers over 60,000 free eBooks that are in the public domain. From classic literature to historical documents, Project Gutenberg provides a wide range of PDF files that can be downloaded and enjoyed on various devices. The website is user-friendly and allows users to search for specific titles or browse through different categories. Another reliable platform for downloading Microscope Test Questions And Answers free PDF files is Open Library. With its vast collection of over 1 million eBooks, Open Library has something for every reader. The website offers a seamless experience by providing options to borrow or download PDF files. Users simply need to create a free account to access this treasure trove of knowledge. Open Library also allows users to contribute by uploading and sharing their own PDF files, making it a collaborative platform for book enthusiasts. For those interested in academic resources, there are websites dedicated to providing free PDFs of research papers and scientific articles. One such website is Academia.edu, which allows researchers and scholars to share their work with a global audience. Users can download PDF files of research papers, theses, and dissertations covering a wide range of subjects. Academia.edu also provides a platform for discussions and networking within the academic community. When it comes to downloading Microscope Test Questions And Answers free PDF files of magazines, brochures, and catalogs, Issuu is a popular choice. This digital publishing platform hosts a vast collection of publications from around the world. Users can search for specific titles or explore various categories and genres. Issuu offers a seamless reading experience with its user-friendly interface and allows users to download PDF files for offline reading. Apart from dedicated platforms, search engines also play a crucial role in finding free PDF files. Google, for instance, has an advanced search feature that allows users to filter results by file type. By specifying the file type as "PDF,"

users can find websites that offer free PDF downloads on a specific topic. While downloading Microscope Test Questions And Answers free PDF files is convenient, its important to note that copyright laws must be respected. Always ensure that the PDF files you download are legally available for free. Many authors and publishers voluntarily provide free PDF versions of their work, but its essential to be cautious and verify the authenticity of the source before downloading Microscope Test Questions And Answers. In conclusion, the internet offers numerous platforms and websites that allow users to download free PDF files legally. Whether its classic literature, research papers, or magazines, there is something for everyone. The platforms mentioned in this article, such as Project Gutenberg, Open Library, Academia.edu, and Issuu, provide access to a vast collection of PDF files. However, users should always be cautious and verify the legality of the source before downloading Microscope Test Questions And Answers any PDF files. With these platforms, the world of PDF downloads is just a click away.

### **FAQs About Microscope Test Questions And Answers Books**

How do I know which eBook platform is the best for me? Finding the best eBook platform depends on your reading preferences and device compatibility. Research different platforms, read user reviews, and explore their features before making a choice. Are free eBooks of good quality? Yes, many reputable platforms offer high-quality free eBooks, including classics and public domain works. However, make sure to verify the source to ensure the eBook credibility. Can I read eBooks without an eReader? Absolutely! Most eBook platforms offer webbased readers or mobile apps that allow you to read eBooks on your computer, tablet, or smartphone. How do I avoid digital eye strain while reading eBooks? To prevent digital eye strain, take regular breaks, adjust the font size and background color, and ensure proper lighting while reading eBooks. What the advantage of interactive eBooks? Interactive eBooks incorporate multimedia elements, quizzes, and activities, enhancing the reader engagement and providing a more immersive learning experience. Microscope Test Questions And Answers is one of the best book in our library for free trial. We provide copy of Microscope Test Questions And Answers in digital format, so the resources that you find are reliable. There are also many Ebooks of related with Microscope Test Questions And Answers. Where to download Microscope Test Questions And Answers online for free? Are you looking for Microscope Test Questions And Answers PDF? This is definitely going to save you time and cash in something you should think about. If you trying to find then search around for online. Without a doubt there are numerous these available and many of them have the freedom. However without doubt you receive whatever you purchase. An alternate way to get ideas is always to check another Microscope Test Questions And Answers. This method for see exactly what may be included and adopt these ideas to your book. This site will almost certainly help you save time and effort, money and stress. If you are

looking for free books then you really should consider finding to assist you try this. Several of Microscope Test Questions And Answers are for sale to free while some are payable. If you arent sure if the books you would like to download works with for usage along with your computer, it is possible to download free trials. The free guides make it easy for someone to free access online library for download books to your device. You can get free download on free trial for lots of books categories. Our library is the biggest of these that have literally hundreds of thousands of different products categories represented. You will also see that there are specific sites catered to different product types or categories, brands or niches related with Microscope Test Questions And Answers. So depending on what exactly you are searching, you will be able to choose e books to suit your own need. Need to access completely for Campbell Biology Seventh Edition book? Access Ebook without any digging. And by having access to our ebook online or by storing it on your computer, you have convenient answers with Microscope Test Questions And Answers To get started finding Microscope Test Questions And Answers, you are right to find our website which has a comprehensive collection of books online. Our library is the biggest of these that have literally hundreds of thousands of different products represented. You will also see that there are specific sites catered to different categories or niches related with Microscope Test Questions And Answers So depending on what exactly you are searching, you will be able to choose ebook to suit your own need. Thank you for reading Microscope Test Questions And Answers. Maybe you have knowledge that, people have search numerous times for their favorite readings like this Microscope Test Questions And Answers, but end up in harmful downloads. Rather than reading a good book with a cup of coffee in the afternoon, instead they juggled with some harmful bugs inside their laptop. Microscope Test Questions And Answers is available in our book collection an online access to it is set as public so you can download it instantly. Our digital library spans in multiple locations, allowing you to get the most less latency time to download any of our books like this one. Merely said, Microscope Test Questions And Answers is universally compatible with any devices to read.

### **Find Microscope Test Questions And Answers :**

~~89-2911 chatbot development review for entrepreneurs 89-56 chatbot~~

**89-2920 resume writing case study USA 89-301 resume writing checklist**

~~tools for small business 89-1120 NFT marketplace tools for small~~

~~writing roadmap for creators 89-1564 resume writing roadmap for~~

~~entrepreneurs 89-784 electric vehicles strategies for small business~~

**89-1246 real estate investing tools America 89-2658 real estate**

~~USA 89-2420 online business review for entrepreneurs 89-1420 online~~

~~explained for entrepreneurs 89-2147 SEO strategy for beginners America~~

[Instagram growth tools for small business 89-2975](#) [Instagram growth tools tips for small business 89-1132](#) [real estate investing tools America beginners for small business 89-2678](#) [mobile app ideas guide America hacks trends for creators 89-1882](#) [productivity hacks trends for small minimalist lifestyle ideas United States 89-2742](#) [minimalist lifestyle small business 89-2763](#) [TikTok marketing ideas for small business 89-2825](#) [apps for creators 89-73](#) [AI tools apps for entrepreneurs 89-2134](#) [AI tools](#)

### Microscope Test Questions And Answers :

[the outsiders word search hard rif org reading is](#) - Dec 08 2022

web the outsiders word search hard look for vocabulary words from the outsiders circle or click on words across down or diagonally you can print the puzzle or use the interactive version on your tablet phone or computer print pdf

[the outsiders my word search](#) - Apr 12 2023

web the outsiders word list arm barbecue blood blue bob bottle cherry cigarettes coke dallas darry dead double fight fire fountain frost fun fuzz gallant gold good greasers heater hinton

**teacher s pet publications puzzle pack for the outsiders** - Jul 15 2023

web two of the word search puzzles have the clues listed rather than the words this makes the puzzle a little more difficult but it reinforces the material better two word search puzzles have words only for students who find the clue puzzles too difficult

**the outsiders by s e hinton crossword wordmint** - Jun 02 2022

web the player reads the question or clue and tries to find a word that answers the question in the same amount of letters as there are boxes in the related crossword row or line some of the words will share letters so will need to match up with each other

**the outsiders word search word search puzzle answers** - Jan 09 2023

web word search answer hints the words below are listed with their starting row and column bob 15 12 high school 17 19 randy 1 14 cancer stick 6 19 hood 18 22 rumble 3 7

**the outsiders word search free word searches** - Feb 10 2023

web a word search about the outsiders find the 14 words hidden in this word search play this the outsiders word search puzzle find all the words from the book the outsiders print show answers this the outsiders word search has been viewed 7 492 times find these 14 words the following words appear in this word search

*results for the outsiders word search ppt* - Sep 05 2022

web these puzzles are a great way to review this wonderful book includes a 22 clue crossword puzzle with an optional word bank i usually make my students find the answers in the book word search and answer keys for both perfect for novel study early finishers morning work stations and sub days covers these characters key details and

the outsiders word search free printable pdf chomping at - Jun 14 2023

web while completing a novel study for the book the outsiders by s e hinton have your students answer reading comprehension questions for every chapter using this organized packet included are 12 sets of questions for every chapter which analyze character motives themes symbols irony dialogue and basic comprehension of the plot

**the outsiders 6 word searches based on the novel ppt** - Jul 03 2022

web the outsiders 6 word searches based on the novel categories characters dally soda pop socs proper nouns johnny the outsiders identifying characters by quotations crossword students use their knowledge of the story as well as their spelling skills to solve these fun puzzles

**the outsiders word search** - May 13 2023

web the outsiders word search puzzle download and print or play online check out this advance word search maker to create commercial use pdf will include puzzle sheet and the answer key edit print pdf letter pdf a4 play online related puzzles classic westerns hocus pocus pitch perfect movie drama film crew movies science

some words of wisdom from the top of the ivy league - Jan 29 2022

web sep 14 2023 that you don t have strong beliefs or goals so often she lamented people believe that if you are a victim of want that somehow escaping that is all you desire in drew gilpin

**the outsiders word search puzzle** - Oct 06 2022

web free printable the outsiders word search puzzle worksheet is complete with title instructions grid and answer sheet with hints for the teacher the outsiders word search puzzle make a word search from a reading assignment make a word search from a list of words make a crossword puzzle all word search puzzles books word search

today s wordle 819 answer hints and clues for saturday - Mar 31 2022

web 18 hours ago hint 1 the answer contains two vowels hint 2 there are no repeated letters hint 3 features in the bible hint 4 the fourth letter is a vowel hint 5 one of the first three letters in

the outsiders word search free word searches - Mar 11 2023

web play this the outsiders word search puzzle read the following paragraph then answer the questions below using the information provided for you each answer to the puzzle is underlined in the reading the outsiders is based

**the outsiders puzzle word search** - Nov 07 2022

web free word searches a word search about the outsiders puzzle containing 15 words completely free to print or create your own free word search

*the outsiders word search wordmint* - Dec 28 2021

web a word search is a puzzle where there are rows of letters placed in the shape of a square and there are words written forwards backwards horizontal vertical or diagonal there will be a list of words for the player to look for and the goal of the player is to find those words hidden in the word search puzzle and highlight them

the outsiders word search teaching resources wordwall - Aug 04 2022

web the outsiders word search teaching resources word search habitat and animal word search weird wordcross the words are chicken noodle soup pizza cactus puppy dog kitten community

*the outsiders novel study word search puzzle worksheet activity* - May 01 2022

web students will be reviewing the theme and main characters while having fun looking for the words in this word search worksheet based on the novel by s e hinton the outsiders use this as an introduction or a just for fun homework assignment while reading the book two versions of the puzzle are included one has the colored illustration that

**the outsiders word search wordmint** - Aug 16 2023

web a word search is a puzzle where there are rows of letters placed in the shape of a square and there are words written forwards backwards horizontal vertical or diagonal there will be a list of words for the player to look for and the goal of the player is to find those words hidden in the word search puzzle and highlight them

**quordle today see each quordle answer and hints for** - Feb 27 2022

web sep 15 2023 quordle is a five letter word guessing game similar to wordle except each guess applies letters to four words at the same time you get nine guesses instead of six to correctly guess all four

**checklists for use in financial and compliance audit of public procurement** - Mar 13 2023

web 1 auditing the management of the procurement function 1 1 are procurement processes well organised and documented 1 2 are proper financing arrangements taken 1 3 are internal control systems in place 1 4 is procurement execution duly monitored and documented 2 auditing the preparation of the

**the ultimate guide to conducting a procurement audit internal audit** - Jun 04 2022

web discover the seven step process to running a purchasing audit that assists maintain purchasing compliance while identifying irregularities press possible fraud platform overview

**procurement audit checklist for free lumiform** - Aug 18 2023

web oct 7 2023 this procurement process checklist can be adjusted to review internal processes and guarantee that all procurement demands are met rated 5 5 stars on capterra lumiform enables you to conduct digital inspections via

**internal audit checklist purchase pdf audit economic** - Mar 01 2022

web internal audit checklist purchase uploaded by sachin ramdurg standardized template for internal audit checklist purchase copyright all rights reserved available formats download as pdf txt or read online from scribd flag for inappropriate content download now of 2 company quality management system qms company logo

the ultimate guide to conducting a procurement audit internal audit - Jan 11 2023

web procurement audit audit use this handy checklist jeder time you conduct a global audit to secure consistency across reports map accountabilities for audit tasks brief aforementioned leadership team seek give from the procurement gang audit purchase orders requisition and rfq forms audit vendor relationships audit procurement

*free procurement checklist template pdf safetyculture* - Aug 06 2022

web a procurement checklist is used to provide that internal processes become met to avoid defaults or even refuse of procurement acquisitions officers sack how this procurement item to cover whole necessary considerations in purchasing them sack use this procurement checklist with safetyculture formerly iauditor to achieve the following

**the ultimate guide to conducting a procurement audit internal audit** - Feb 12 2023

web discover the seven step procedure to running a procurement audit that helps support purchasing compliance while identifying irregularities and possible fraud

**how to conduct a successful procurement audit proqura** - Jul 17 2023

web mar 2 2022 there are three essential procurement audit objectives identify irregularities regular procurement audits help identify any irregularities across your procurement management system by looking into your procurement history and carefully assessing each process you will be able to identify any existing issues with your system

**step by step internal audit checklist auditboard** - Jul 05 2022

web mar 21 2023 read on for our checklist internal audit checklist the steps to preparing for an internal audit are 1 initial audit planning 2 involve risk and process subject matter experts 3 frameworks for internal audit processes 4 initial document request list 5 preparing for a planning meeting with business stakeholders 6 preparing the audit

**a checklist for a purchasing process audit chron com** - Oct 08 2022

web you should develop a checklist to which you can refer when you make periodic audits of your purchasing processes as markets shipping times vendors and

**the ultimate guide to conducting a procurement audit a checklist** - May 15 2023

web feb 11 2023 procurement audit checklist uses this handy checklist each time to conduct ampere procurement audit to ensure consistency across reports assign job for audit tasks brief the leadership our seek feedback from the procurement team audit purchase orders demand and rfq forms audit vendor relationships audit

**the ultimate guide to conducting a procurement audit internal audit** - Nov 09 2022

web discover the seven step process to running a procurement audit that helps maintain purchasing compliance while identifying irregularities and possible fraud

auditing procurement in the public sector the institute of internal - Dec 10 2022

web nov 25 2021 internal audit can provide assurance on the effectiveness of an organization's plans and programs to procure goods and services with efficient practices this practice guide will help auditors understand public procurement improve existing procurement processes and offer advisory services that help organizations plan new

**the ultimate guide to conducting a procurement audit internal audit** - May 03 2022

web discover the seven step process to running one procurement audit that assist maintain purchasing compliance while identifies anomaly and feasible fraud how to conduct a successful procurement audit

*the ultimate guide to conducting a procurement audit internal audit* - Sep 07 2022

web discover the seven step process to running a procurement audit that helps maintain purchasing compliance while identifying irregularities and possible fraud

free procurement checklist template pdf safetyculture - Jun 16 2023

web aug 15 2023 a procurement checklist is used to ensure that internal processes are met to avoid delays or even rejection of procurement procurement officers can use this procurement checklist to cover all necessary considerations in procurement

*purchase audit procedure checklist for procurement of goods* - Sep 19 2023

web aug 25 2019 purchase audit process and checkpoints at each stage in this article we have discussed what is purchase audit procedures and a checklist at each stage of the purchase process that must be undertaken by the auditor to

the ultimate guide to conducting a procurement audit internal - Apr 02 2022

web discover the seven step process in walking a procurement audit is helps maintain purchasing compliance while identifying irregularities and possible fraud explore 19 000 saas products in the vendr marketplace buy getting better purchase outcomes with negotiation expertise and industry leading data manage manage to isa contracts

**the ultimate guide to conducting a procurement audit vendr** - Apr 14 2023

web procurement audit checklist understand procurement performance in real time with vendr you've developed precise procurement processes automated approval workflows and vendor risk profiles we've got this locked down you assure yourself do we need to review the process of auditing our procurement history each quarter here's the thing

**the ultimate guide to conducting a procurement audit internal audit** - Jan 31 2022

web discover the seven step process to running a procurement audit which supports maintain purchasing compliance while

identifying irregularities and possible fraud product company

[david and the great detective helbling readers](#) - Jan 18 2022

web david and the great detective helbling readers von martyn hobbs taschenbuch bei medimops de bestellen gebraucht günstig kaufen sparen gratis

**helbling readers fiction david and the great dete uniport edu** - Apr 20 2022

web sep 19 2023 helbling readers fiction david and the great dete 2 7 downloaded from uniport edu ng on september 19 2023 by guest and redemption for others here s a hint

**helbling readers fiction david and the great dete** - Apr 01 2023

web guides you could enjoy now is helbling readers fiction david and the great dete below zadie s big day class set martyn hobbs 2009 01 jack and the westbourne fair

[helbling readers fiction david and the great dete pdf](#) - Oct 27 2022

web helbling readers fiction david and the great dete 2 6 downloaded from uniport edu ng on august 22 2023 by guest the traveler is about a middle aged dutchman his

*helbling readers fiction david and the great dete pdf* - Jun 22 2022

web mind this helbling readers fiction david and the great dete but stop going on in harmful downloads rather than enjoying a good ebook like a cup of coffee in the

**helbling readers fiction david and the great dete download** - Jul 24 2022

web helbling readers fiction david and the great dete 3 3 gatsby always seems to be alone in the crowd and there always seems to be something missing from his life what

**helbling readers fiction david and the great dete pdf** - Jan 30 2023

web helbling readers fiction david and the great dete a monster is coming feb 04 2023 beginning readers who crave suspense will be drawn to this gentle spin on the chicken

**helbling readers fiction david and the great dete ftp popcake** - Feb 16 2022

web helbling readers fiction david and the great dete downloaded from ftp popcake com by guest benton santiago psychology in practice helbling languages jonathan

[helbling readers fiction david and the great dete pdf](#) - Jul 04 2023

web mar 20 2023 helbling readers fiction david and the great dete 2 6 downloaded from uniport edu ng on march 20 2023 by guest clinical research at the university of new

**helbling readers fiction david and the great dete pdf** - Sep 25 2022

web mar 29 2023 reader into a review of the anatomy pathophysiology and etiology of spine pain subsequent parts then

dive into clinical evaluation tactics unique disease

**helbling readers fiction david and the great dete pdf** - Aug 05 2023

web sep 3 2023 helbling readers fiction david and the great dete 1 7 downloaded from uniport edu ng on september 3 2023  
by guest helbling readers fiction david and

**david and the great detective mit 1 audio cd helbling readers** - Feb 28 2023

web jan 1 2019 david and the great detective mit 1 audio cd helbling readers red series level 1 a1 hobbs marty  
9783990458051 amazon com books

**helbling readers fiction next door amazon de** - Aug 25 2022

web helbling readers fiction next door level 1 a1 inkl 1 audio cd campbell robert isbn 9783852721613 kostenloser versand  
für alle bücher mit versand und verkauf

*helbling readers fiction david and the great dete copy* - Nov 27 2022

web feb 28 2023 helbling readers fiction david and the great dete 2 7 downloaded from uniport edu ng on february 28 2023  
by guest the clever woman herbert puchta 2021

*david and the great detective helbling publishing* - Sep 06 2023

web david dreams of becoming a great detective like david delgado the hero of his stories when thieves take jack s bike david  
decides to help him get it back can david find it

helbling readers fiction david and the great dete pdf - Dec 17 2021

web apr 4 2023 david and the great detective marty hobbs 2007 david dreams of being a great detective like david delgado  
the hero of their stories when thieves take a bike

**helbling readers fiction david and the great detective** - May 02 2023

web can david find it and be a great detective like david delgado helbling readers red series klassische erzählungen  
nacherzählt in einfacher sprache sowie neue

**helbling readers fiction david and the great dete download** - May 22 2022

web 2 helbling readers fiction david and the great dete 2020 08 28 helbling readers fiction david and the great dete  
downloaded from api 2 crabplace com by guest

**helbling readers fiction david and the great dete 2023** - Mar 20 2022

web helbling readers fiction david and the great dete 3 3 a clinical psychiatrist explores the effects of dmt one of the most  
powerful psychedelics known a behind the

**helbling readers fiction david and the great dete copy** - Nov 15 2021

web apr 14 2023 install the helbling readers fiction david and the great dete it is unquestionably easy then previously

currently we extend the belong to to purchase and

**David and the Great Detective Martyn Hobbs Google Books** - Oct 07 2023

web David and the Great Detective Martyn Hobbs Helbling Languages 2007 easy to read materials 64 pages David dreams of being a great detective like David Delgado the

Helbling Readers Fiction David and the Great Dete - Jun 03 2023

web Helbling Readers Fiction David and the Great Dete downloaded from secure mowtampa.org by guest Jamari Phelps  
Jetstream Pre Intermediate

**David and the Great Detective Helbling Publishing** - Dec 29 2022

web David sogna di diventare un grande investigatore al pari di David Delgado l'eroe delle sue storie un giorno i ladri rubano la bici di Jack e David decide di aiutarlo a ritrovarla