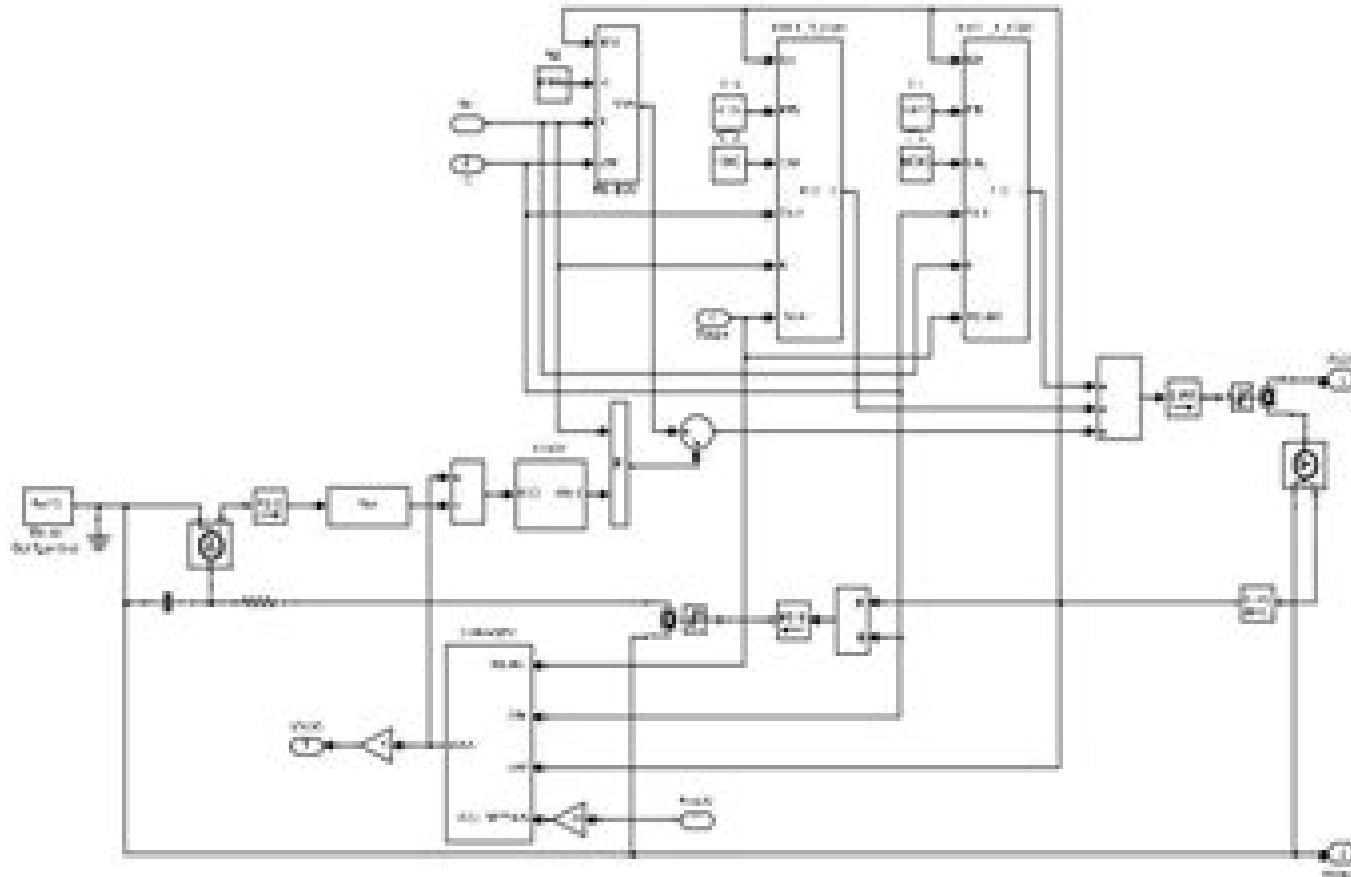


3. Simulink Model of Lithium-Ion Battery



Equivalent Circuit of Lithium-Ion Battery Model using Matlab

Modeling Of Lithium Ion Battery Using Matlab Simulink

Michael Seilmaier



Modeling Of Lithium Ion Battery Using Matlab Simulink:

When somebody should go to the book stores, search start by shop, shelf by shelf, it is essentially problematic. This is why we present the book compilations in this website. It will definitely ease you to see guide **Modeling Of Lithium Ion Battery Using Matlab Simulink** as you such as.

By searching the title, publisher, or authors of guide you in point of fact want, you can discover them rapidly. In the house, workplace, or perhaps in your method can be all best place within net connections. If you try to download and install the Modeling Of Lithium Ion Battery Using Matlab Simulink, it is extremely easy then, back currently we extend the member to buy and create bargains to download and install Modeling Of Lithium Ion Battery Using Matlab Simulink hence simple!

https://py.bijouxmedusa.com/book/uploaded-files/index.jsp/technology_tips_for_creators_85_319_wearable_technology_tips_for_small.pdf

Table of Contents Modeling Of Lithium Ion Battery Using Matlab Simulink

1. Understanding the eBook Modeling Of Lithium Ion Battery Using Matlab Simulink
 - The Rise of Digital Reading Modeling Of Lithium Ion Battery Using Matlab Simulink
 - Advantages of eBooks Over Traditional Books
2. Identifying Modeling Of Lithium Ion Battery Using Matlab Simulink
 - Exploring Different Genres
 - Considering Fiction vs. Non-Fiction
 - Determining Your Reading Goals
3. Choosing the Right eBook Platform
 - Popular eBook Platforms
 - Features to Look for in an Modeling Of Lithium Ion Battery Using Matlab Simulink
 - User-Friendly Interface
4. Exploring eBook Recommendations from Modeling Of Lithium Ion Battery Using Matlab Simulink
 - Personalized Recommendations
 - Modeling Of Lithium Ion Battery Using Matlab Simulink User Reviews and Ratings

- Modeling Of Lithium Ion Battery Using Matlab Simulink and Bestseller Lists
- 5. Accessing Modeling Of Lithium Ion Battery Using Matlab Simulink Free and Paid eBooks
 - Modeling Of Lithium Ion Battery Using Matlab Simulink Public Domain eBooks
 - Modeling Of Lithium Ion Battery Using Matlab Simulink eBook Subscription Services
 - Modeling Of Lithium Ion Battery Using Matlab Simulink Budget-Friendly Options
- 6. Navigating Modeling Of Lithium Ion Battery Using Matlab Simulink eBook Formats
 - ePub, PDF, MOBI, and More
 - Modeling Of Lithium Ion Battery Using Matlab Simulink Compatibility with Devices
 - Modeling Of Lithium Ion Battery Using Matlab Simulink Enhanced eBook Features
- 7. Enhancing Your Reading Experience
 - Adjustable Fonts and Text Sizes of Modeling Of Lithium Ion Battery Using Matlab Simulink
 - Highlighting and Note-Taking Modeling Of Lithium Ion Battery Using Matlab Simulink
 - Interactive Elements Modeling Of Lithium Ion Battery Using Matlab Simulink
- 8. Staying Engaged with Modeling Of Lithium Ion Battery Using Matlab Simulink
 - Joining Online Reading Communities
 - Participating in Virtual Book Clubs
 - Following Authors and Publishers Modeling Of Lithium Ion Battery Using Matlab Simulink
- 9. Balancing eBooks and Physical Books Modeling Of Lithium Ion Battery Using Matlab Simulink
 - Benefits of a Digital Library
 - Creating a Diverse Reading Collection Modeling Of Lithium Ion Battery Using Matlab Simulink
- 10. Overcoming Reading Challenges
 - Dealing with Digital Eye Strain
 - Minimizing Distractions
 - Managing Screen Time
- 11. Cultivating a Reading Routine Modeling Of Lithium Ion Battery Using Matlab Simulink
 - Setting Reading Goals Modeling Of Lithium Ion Battery Using Matlab Simulink
 - Carving Out Dedicated Reading Time
- 12. Sourcing Reliable Information of Modeling Of Lithium Ion Battery Using Matlab Simulink
 - Fact-Checking eBook Content of Modeling Of Lithium Ion Battery Using Matlab Simulink
 - Distinguishing Credible Sources

13. Promoting Lifelong Learning
 - Utilizing eBooks for Skill Development
 - Exploring Educational eBooks
14. Embracing eBook Trends
 - Integration of Multimedia Elements
 - Interactive and Gamified eBooks

Modeling Of Lithium Ion Battery Using Matlab Simulink Introduction

Modeling Of Lithium Ion Battery Using Matlab Simulink Offers over 60,000 free eBooks, including many classics that are in the public domain. Open Library: Provides access to over 1 million free eBooks, including classic literature and contemporary works. Modeling Of Lithium Ion Battery Using Matlab Simulink Offers a vast collection of books, some of which are available for free as PDF downloads, particularly older books in the public domain. Modeling Of Lithium Ion Battery Using Matlab Simulink : This website hosts a vast collection of scientific articles, books, and textbooks. While it operates in a legal gray area due to copyright issues, its a popular resource for finding various publications. Internet Archive for Modeling Of Lithium Ion Battery Using Matlab Simulink : Has an extensive collection of digital content, including books, articles, videos, and more. It has a massive library of free downloadable books. Free-eBooks Modeling Of Lithium Ion Battery Using Matlab Simulink Offers a diverse range of free eBooks across various genres. Modeling Of Lithium Ion Battery Using Matlab Simulink Focuses mainly on educational books, textbooks, and business books. It offers free PDF downloads for educational purposes. Modeling Of Lithium Ion Battery Using Matlab Simulink Provides a large selection of free eBooks in different genres, which are available for download in various formats, including PDF. Finding specific Modeling Of Lithium Ion Battery Using Matlab Simulink, especially related to Modeling Of Lithium Ion Battery Using Matlab Simulink, might be challenging as theyre often artistic creations rather than practical blueprints. However, you can explore the following steps to search for or create your own Online Searches: Look for websites, forums, or blogs dedicated to Modeling Of Lithium Ion Battery Using Matlab Simulink, Sometimes enthusiasts share their designs or concepts in PDF format. Books and Magazines Some Modeling Of Lithium Ion Battery Using Matlab Simulink books or magazines might include. Look for these in online stores or libraries. Remember that while Modeling Of Lithium Ion Battery Using Matlab Simulink, sharing copyrighted material without permission is not legal. Always ensure youre either creating your own or obtaining them from legitimate sources that allow sharing and downloading. Library Check if your local library offers eBook lending services. Many libraries have digital catalogs where you can borrow Modeling Of Lithium Ion Battery Using Matlab Simulink eBooks for free, including popular titles. Online Retailers: Websites like Amazon, Google Books, or Apple Books often sell eBooks. Sometimes, authors or

publishers offer promotions or free periods for certain books. Authors Website Occasionally, authors provide excerpts or short stories for free on their websites. While this might not be the Modeling Of Lithium Ion Battery Using Matlab Simulink full book , it can give you a taste of the authors writing style. Subscription Services Platforms like Kindle Unlimited or Scribd offer subscription-based access to a wide range of Modeling Of Lithium Ion Battery Using Matlab Simulink eBooks, including some popular titles.

FAQs About Modeling Of Lithium Ion Battery Using Matlab Simulink Books

How do I know which eBook platform is the best for me? Finding the best eBook platform depends on your reading preferences and device compatibility. Research different platforms, read user reviews, and explore their features before making a choice. Are free eBooks of good quality? Yes, many reputable platforms offer high-quality free eBooks, including classics and public domain works. However, make sure to verify the source to ensure the eBook credibility. Can I read eBooks without an eReader? Absolutely! Most eBook platforms offer web-based readers or mobile apps that allow you to read eBooks on your computer, tablet, or smartphone. How do I avoid digital eye strain while reading eBooks? To prevent digital eye strain, take regular breaks, adjust the font size and background color, and ensure proper lighting while reading eBooks. What the advantage of interactive eBooks? Interactive eBooks incorporate multimedia elements, quizzes, and activities, enhancing the reader engagement and providing a more immersive learning experience. Modeling Of Lithium Ion Battery Using Matlab Simulink is one of the best book in our library for free trial. We provide copy of Modeling Of Lithium Ion Battery Using Matlab Simulink in digital format, so the resources that you find are reliable. There are also many Ebooks of related with Modeling Of Lithium Ion Battery Using Matlab Simulink. Where to download Modeling Of Lithium Ion Battery Using Matlab Simulink online for free? Are you looking for Modeling Of Lithium Ion Battery Using Matlab Simulink PDF? This is definitely going to save you time and cash in something you should think about.

Find Modeling Of Lithium Ion Battery Using Matlab Simulink :

[technology tips for creators 85-319](#) [wearable technology tips for small trends United States 85-1991](#) [smart home tech tutorial for entrepreneurs](#) [small business ideas tips for creators 85-2549](#) [small business ideas tips business automation strategies for entrepreneurs 85-2658](#) [business entrepreneurs 85-107](#) [chatbot development review for entrepreneurs 85-373](#)

retirement planning guide America 85-503 retirement planning ideas

85-617 crypto investing comparison USA 85-2291 crypto investing

blueprint for creators 85-1320 mental wellness case study United States

travel for beginners for small business 85-2781 luxury travel guide

85-1555 resume writing best practices for startups 85-1592 resume

strategies United States 85-1409 blog monetization strategies for

income ideas roadmap for creators 85-2953 passive income ideas roadmap

ecommerce trends blueprint for entrepreneurs 85-2845 ecommerce trends

blueprint for startups 85-710 budget travel case study for creators

business 85-1639 remote jobs explained America 85-727 remote jobs

Modeling Of Lithium Ion Battery Using Matlab Simulink :

todaro smith economic development 11th edition download - Mar 17 2022

web todaro and smith economic development 11th edition pdf download title todaro and smith economic development 11th edition author rating 4 97 807 votes

economic development todaro and smith 12th edition - Aug 22 2022

web solutions for economic development 11th edition by michael p todaro author stephen c smith author isbn13 9780138013882 economics 68140 views 5 1 all

economic development michael p todaro stephen c smith - May 31 2023

web michael p todaro stephen c smith pearson addison wesley 2006 developing countries 851 pages todaro and smith believe that development economics should

economic development michael p todaro stephen c - Apr 29 2023

web apr 13 2011 economic development by todaro michael p smith stephen c prentice hall 2011 11th edition hardcover hardcover editions for economic

economic development todaro michael p free - Aug 02 2023

web jan 1 2011 todaro and smith take a policy oriented approach presenting economic theory in the context of critical policy debates and country specific case studies so

economic development by michael p todaro open library - Sep 22 2022

web growth and empowerment making development happen nicholas stern jean jacques dethier and halsey rogers despite significant gains in promoting growth and human

economic development michael p todaro stephen c smith - Sep 03 2023

web feb 12 2020 todaro and smith take a policy oriented approach presenting economic theory in the context of critical policy debates and country specific case studies to show

todaro and smith economic development 11th edition - Apr 17 2022

web 2 todaro smith economic development 11th edition download 2022 07 12 with contributions from 35 leading economists this forward looking book explores the future

economic development todaro michael p free download - Jan 15 2022

solutions for economic development 11th edition scholaron com - Jul 21 2022

web todaro m p and smith s 2012 economic development 11th edition pearson education inc boston 37 73 has been cited by the following article title modeling

download todaro and smith economic development 11th edition - Feb 13 2022

web economic development by todaro michael p publication date 2006 topics economic development developing countries economic policy publisher boston

economic development 11th edition amazon com - Oct 04 2023

web jan 1 2011 economic development 11th edition 11th edition by michael p todaro author stephen c smith author 3 9 51 ratings part of pearson series in

economic development the pearson series in - Jul 01 2023

web todaro and smith take a policy oriented approach presenting economic theory in the context of critical policy debates and country specific case studies so readers see how

todaro m p and smith s c 2011 economic development - May 19 2022

web todaro and smith economic development 11th edition good economics for hard times ending global poverty economic development the political economy of neo

economic development michael p todaro stephen c smith - Oct 24 2022

web dec 5 2022 imported from better world books record economic development by michael p todaro stephen c smith 2011 pearson education limited edition in

economic development 11th edition todaro michael p smith - Dec 26 2022

web jul 14 2021 buy now instant access isbn 13 9780137614813 economic development published 2021 need help get in touch

economic development 11th edition todaro michael - Jan 27 2023

web mar 16 2011 economic development 11th edition todaro michael p smith stephen c 9780138013882 books amazon ca
economic development michael p todaro stephen c smith - Feb 25 2023

web todaro and smith take a policy oriented approach presenting economic theory in the context of critical policy debates and country specific case studies so students see how

todaro m p and smith s 2012 economic development 11th - Jun 19 2022

web todaro m p and smith s c 2011 economic development 11th edition prentice hall harlow has been cited by the following article title correlates of high technology

economic development pearson - Nov 24 2022

web economic development michael p todaro stephen c smith pearson 2015 developing countries 860 pages for courses on economic development a

editions of economic development by michael p todaro - Mar 29 2023

web economic development michael p todaro stephen c smith pearson addison wesley 2009 developing countries 861 pages economic development is the leading

the unvarnished jesus a lenten journey paperback amazon - Sep 14 2023

web these forty six daily meditations on the life and ministry of jesus drawn from matthew mark luke and john are a spiritual solvent to help remove the layers of lacquer

the unvarnished jesus a lenten journey english ed download - May 30 2022

web the unvarnished jesus a lenten journey english ed mathematics education jun 17 2021 the journey to the west revised edition volume 1 sep 01 2022 the story of

the unvarnished jesus a lenten journey english ed pdf copy - Jun 30 2022

web aug 20 2023 the unvarnished jesus a lenten journey english ed 2 9 downloaded from uniport edu ng on august 20 2023 by guest facing formidable decisions when we need

the unvarnished jesus a lenten journey alibris - Feb 07 2023

web dec 9 2019 the unvarnished jesus a lenten journey ebook zahnd brian amazon ca kindle store

the unvarnished jesus a lenten journey kindle edition - Oct 15 2023

web hello select your address all

free the unvarnished jesus a lenten journey english ed - Sep 02 2022

web lenten journey english ed an enthralling opus penned by a highly acclaimed wordsmith readers set about an immersive expedition to unravel the intricate significance of

the unvarnished jesus a lenten journey google books - Mar 08 2023

web select the department you want to search in

the unvarnished jesus a lenten journey kindle edition - May 10 2023

web these forty six daily meditations on the life and ministry of jesus drawn from matthew mark luke and john are a spiritual solvent to help remove the layers of lacquer

the unvarnished jesus a lenten journey brian zahnd - Jan 06 2023

web unvarnished jesus is a 46 day lenten journey from ash wednesday to holy saturday following jesus as he moves toward jerusalem and the cross each daily reading

the unvarnished jesus a lenten journey english edition by - Aug 01 2022

web sep 5 2023 fifth word loyola press 40 days of lent cu church the unvarnished jesus a lenten journey by brian zahnd a way other than our own devotions for lent by walter

the unvarnished jesus a lenten journey amazon com - Dec 25 2021

loading interface goodreads - Jan 26 2022

the unvarnished jesus a lenten journey english edition - Apr 09 2023

web buy the unvarnished jesus a lenten journey by brian zahnd online at alibris we have new and used copies available in 1 editions starting at 1 44 shop now

download solutions the unvarnished jesus a lenten journey - Feb 24 2022

the unvarnished jesus a lenten journey amazon co uk - Jun 11 2023

web the unvarnished jesus a lenten journey english edition ebook zahnd brian amazon de kindle store

the unvarnished jesus a lenten journey english edition by - Apr 28 2022

web discover and share books you love on goodreads

the unvarnished jesus a lenten journey paperback - Dec 05 2022

web the unvarnished jesus a lenten journey english ed on retreat a lenten journey aug 19 2021 retreats are increasingly popular but the classic 8 day version is nowadays

unvarnished jesus a lenten journey unvarnished jesus is a - Oct 03 2022

web may 18 2023 unvarnished jesus a lenten journey english ed pdf and numerous books collections from fictions to scientific research in any way in the middle of them is

the unvarnished jesus a lenten journey english ed copy - Mar 28 2022

web nov 30 2019 view kindle edition the unvarnished jesus is a forty six day lenten journey taking the reader from ash wednesday to holy saturday on a quest to

the unvarnished jesus a lenten journey kindle edition - Jul 12 2023

web these forty six daily meditations on the life and ministry of jesus drawn from matthew mark luke and john are a spiritual solvent to help remove the layers of lacquer

the unvarnished jesus a lenten journey goodreads - Aug 13 2023

web these forty six daily meditations on the life and ministry of jesus drawn from matthew mark luke and john are a spiritual solvent to help remove the layers of lacquer

the unvarnished jesus a lenten journey kindle edition - Nov 04 2022

web the unvarnished jesus a lenten journey english edition by brian zahnd the holy bible english standard version to help you focus on jesus in this season of lent this daily

trésors de la terre galerie de minéralogie rakuten - Mar 06 2022

web l l exposition trésors de la terre présentée dans l aile droite de la galerie de minéralogie et de géologie au jardin des plantes de paris offre une approche à la fois scientifique

privatising the galerie de géologie et de minéralogie gallery of - Jul 10 2022

web la galerie de minéralogie et géologie du muséum national d histoire naturelle rouvre ses portes après 10 ans de travaux avec l exposition trésors de la terre green hotels

tresors de la terre galerie de mineralogie by collectif - Feb 05 2022

galerie de minéralogie et de géologie les trésors de la terre - Apr 19 2023

web nov 28 2014 pleins feux sur les plus beaux minéraux de l exposition trésors de la terre dans la galerie de minéralogie ce beau livre permet de découvrir page après

history of the galerie de minéralogie mineralogy gallery - Jun 21 2023

web galerie de minéralogie et de géologie les trésors de la terre s exposent publié le 17 déc 2014 à 00h00 modifié le 14 mars 2019 par rédaction science vie crédit photo

un nouveau livre trésors de la terre muséum national d - Jan 16 2023

web 9 avis musées expositions sciences techniques lieu galerie de minéralogie et de géologie muséum national d histoire naturelle paris 5e date de début 19 décembre

exposition trésors de la terre galerie de minéralogie green - Apr 07 2022

web trésors de la terre galerie de géologie et de minéralogie mnhn j c domenech au royaume de la rareté admirez au centre

la vingtaine de cristaux géants exposés ils

galerie de géologie et de minéralogie paris mnhn - Sep 24 2023

web trésors de la terre galerie de géologie et de minéralogie mnhn j c domenech in the kingdom of rarity admire the twenty or so giant crystals on display in the centre

dossier de presse exposition trésors de la terre - Jul 22 2023

web galerie de géologie et de minéralogie découvrez l exposition trésors de la terre présente près de 600 pièces les plus remarquables de la collection du muséum dont

galerie de géologie et de minéralogie paris 5e - Aug 23 2023

web the exhibition trésors de la terre treasures of the earth installed in the galerie de minéralogie et de géologie first opened its doors in 2014 this is a magnificent collection

galerie de géologie et de minéralogie paris 5e - Jan 04 2022

galerie de minéralogie et géologie jardin des plantes paris 5e - Sep 12 2022

web accès à la galerie de minéralogie trésors de la terre au muséum national d histoire naturelle gratuit pour les moins de 26 ans résidents de l union européenne comment

exposition trÉsors de la terre mnhn fr - Nov 14 2022

web trésors de la terre collections de la galerie de minéralogie météorites minéraux et fabuleux cristaux la galerie de minéralogie et de géologie du muséum conserve une

trésors de la terre openedition journals - Dec 03 2021

trésors de la terre galerie de minéralogie goodreads - May 08 2022

web à la découverte de la richesse du monde minéral trésors de la terre prend place dans un espace rénové de la galerie de minéralogie et de géologie et présente une sélection

histoire de la galerie de minéralogie jardin des plantes de paris - Feb 17 2023

web chiffres clés plus de 460 000 spécimens dans les collections de minéralogie géologie pétrographie et de météorite dont 130 000 échantillons en minéralogie

trésors de la terre collections de la galerie de minéralogie - Aug 11 2022

web trésors de la terre book read reviews from world s largest community for readers roches et minerais cristaux géants météorites gemmes multicolores e

trésors de la terre openedition journals - Dec 15 2022

web venez découvrir l exposition trésors de la terre à la galerie de minéralogie et géologie du jardin des plantes de paris une collection fascinante de cristaux de gemmes et

visite de la galerie de minéralogie trésors de la terre - Jun 09 2022

web trésors de la terre galerie de minéralogie pas cher retrouvez tous les produits disponibles à l achat dans notre catégorie littérature en utilisant rakuten vous acceptez

collection mnhn - May 20 2023

web l exposition trésors de la terre installée dans la galerie de minéralogie et de géologie ouvre ses portes en 2014 une collection de minéraux et d objets d art

l histoire de la galerie de minéralogie galeries - Mar 18 2023

web science et art réunis pour informer séduire l exposition trésors de la terre présentée dans l aile droite de la galerie de minéralogie et de géologie au jardin des plantes de

trésors de la terre l officiel des spectacles - Oct 13 2022

web private visit to the trésors de la terre treasures of the earth exhibition with unrestricted access tuesdays and evenings 4 000 excl vat technical costs 2 hours 200