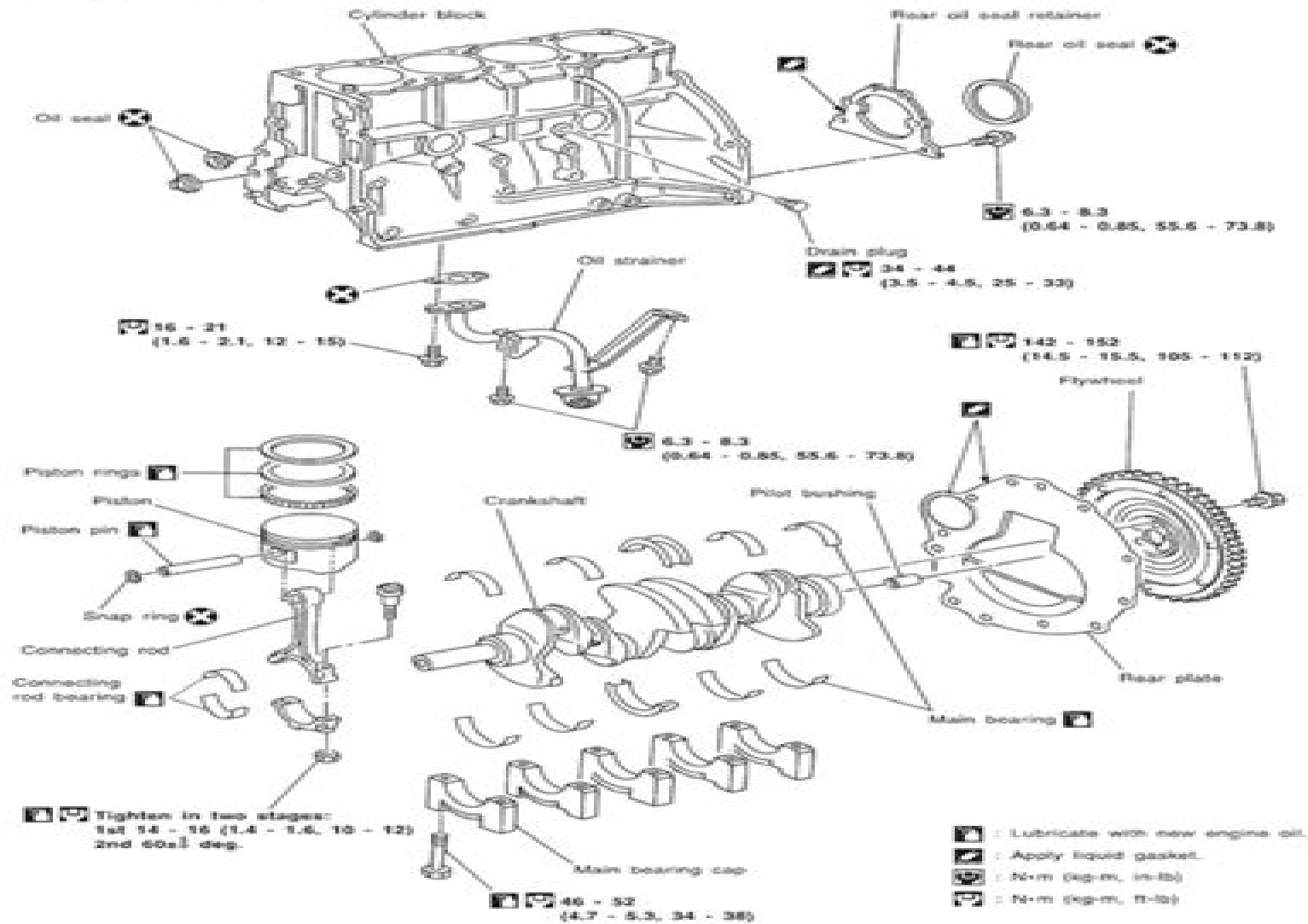


SEC. 110-120-135-150-210



Nissan Qd32 Engine Manual

Michal Rosen-Zvi



Nissan Qd32 Engine Manual:

The book delves into Nissan Qd32 Engine Manual. Nissan Qd32 Engine Manual is a vital topic that must be grasped by everyone, from students and scholars to the general public. This book will furnish comprehensive and in-depth insights into Nissan Qd32 Engine Manual, encompassing both the fundamentals and more intricate discussions.

1. This book is structured into several chapters, namely:

- Chapter 1: Introduction to Nissan Qd32 Engine Manual
- Chapter 2: Essential Elements of Nissan Qd32 Engine Manual
- Chapter 3: Nissan Qd32 Engine Manual in Everyday Life
- Chapter 4: Nissan Qd32 Engine Manual in Specific Contexts
- Chapter 5: Conclusion

2. In chapter 1, the author will provide an overview of Nissan Qd32 Engine Manual. This chapter will explore what Nissan Qd32 Engine Manual is, why Nissan Qd32 Engine Manual is vital, and how to effectively learn about Nissan Qd32 Engine Manual.
3. In chapter 2, the author will delve into the foundational concepts of Nissan Qd32 Engine Manual. This chapter will elucidate the essential principles that need to be understood to grasp Nissan Qd32 Engine Manual in its entirety.
4. In chapter 3, this book will examine the practical applications of Nissan Qd32 Engine Manual in daily life. The third chapter will showcase real-world examples of how Nissan Qd32 Engine Manual can be effectively utilized in everyday scenarios.
5. In chapter 4, this book will scrutinize the relevance of Nissan Qd32 Engine Manual in specific contexts. The fourth chapter will explore how Nissan Qd32 Engine Manual is applied in specialized fields, such as education, business, and technology.
6. In chapter 5, the author will draw a conclusion about Nissan Qd32 Engine Manual. This chapter will summarize the key points that have been discussed throughout the book.

This book is crafted in an easy-to-understand language and is complemented by engaging illustrations. It is highly recommended for anyone seeking to gain a comprehensive understanding of Nissan Qd32 Engine Manual.

https://py.bijouxmedusa.com/book/scholarship/HomePages/United_States_24_2216_Weight_Loss_Tutorial_For_Entrepreneurs_24_306.pdf

Table of Contents Nissan Qd32 Engine Manual

1. Understanding the eBook Nissan Qd32 Engine Manual
 - The Rise of Digital Reading Nissan Qd32 Engine Manual
 - Advantages of eBooks Over Traditional Books
2. Identifying Nissan Qd32 Engine Manual
 - Exploring Different Genres
 - Considering Fiction vs. Non-Fiction
 - Determining Your Reading Goals
3. Choosing the Right eBook Platform
 - Popular eBook Platforms
 - Features to Look for in an Nissan Qd32 Engine Manual
 - User-Friendly Interface
4. Exploring eBook Recommendations from Nissan Qd32 Engine Manual
 - Personalized Recommendations
 - Nissan Qd32 Engine Manual User Reviews and Ratings
 - Nissan Qd32 Engine Manual and Bestseller Lists
5. Accessing Nissan Qd32 Engine Manual Free and Paid eBooks
 - Nissan Qd32 Engine Manual Public Domain eBooks
 - Nissan Qd32 Engine Manual eBook Subscription Services
 - Nissan Qd32 Engine Manual Budget-Friendly Options
6. Navigating Nissan Qd32 Engine Manual eBook Formats
 - ePub, PDF, MOBI, and More
 - Nissan Qd32 Engine Manual Compatibility with Devices
 - Nissan Qd32 Engine Manual Enhanced eBook Features
7. Enhancing Your Reading Experience
 - Adjustable Fonts and Text Sizes of Nissan Qd32 Engine Manual
 - Highlighting and Note-Taking Nissan Qd32 Engine Manual
 - Interactive Elements Nissan Qd32 Engine Manual
8. Staying Engaged with Nissan Qd32 Engine Manual

- Joining Online Reading Communities
 - Participating in Virtual Book Clubs
 - Following Authors and Publishers Nissan Qd32 Engine Manual
9. Balancing eBooks and Physical Books Nissan Qd32 Engine Manual
- Benefits of a Digital Library
 - Creating a Diverse Reading Collection Nissan Qd32 Engine Manual
10. Overcoming Reading Challenges
- Dealing with Digital Eye Strain
 - Minimizing Distractions
 - Managing Screen Time
11. Cultivating a Reading Routine Nissan Qd32 Engine Manual
- Setting Reading Goals Nissan Qd32 Engine Manual
 - Carving Out Dedicated Reading Time
12. Sourcing Reliable Information of Nissan Qd32 Engine Manual
- Fact-Checking eBook Content of Nissan Qd32 Engine Manual
 - Distinguishing Credible Sources
13. Promoting Lifelong Learning
- Utilizing eBooks for Skill Development
 - Exploring Educational eBooks
14. Embracing eBook Trends
- Integration of Multimedia Elements
 - Interactive and Gamified eBooks

Nissan Qd32 Engine Manual Introduction

In the digital age, access to information has become easier than ever before. The ability to download Nissan Qd32 Engine Manual has revolutionized the way we consume written content. Whether you are a student looking for course material, an avid reader searching for your next favorite book, or a professional seeking research papers, the option to download Nissan Qd32 Engine Manual has opened up a world of possibilities. Downloading Nissan Qd32 Engine Manual provides numerous advantages over physical copies of books and documents. Firstly, it is incredibly convenient. Gone are the days of carrying around heavy textbooks or bulky folders filled with papers. With the click of a button, you can gain immediate access to

valuable resources on any device. This convenience allows for efficient studying, researching, and reading on the go. Moreover, the cost-effective nature of downloading Nissan Qd32 Engine Manual has democratized knowledge. Traditional books and academic journals can be expensive, making it difficult for individuals with limited financial resources to access information. By offering free PDF downloads, publishers and authors are enabling a wider audience to benefit from their work. This inclusivity promotes equal opportunities for learning and personal growth. There are numerous websites and platforms where individuals can download Nissan Qd32 Engine Manual. These websites range from academic databases offering research papers and journals to online libraries with an expansive collection of books from various genres. Many authors and publishers also upload their work to specific websites, granting readers access to their content without any charge. These platforms not only provide access to existing literature but also serve as an excellent platform for undiscovered authors to share their work with the world. However, it is essential to be cautious while downloading Nissan Qd32 Engine Manual. Some websites may offer pirated or illegally obtained copies of copyrighted material. Engaging in such activities not only violates copyright laws but also undermines the efforts of authors, publishers, and researchers. To ensure ethical downloading, it is advisable to utilize reputable websites that prioritize the legal distribution of content. When downloading Nissan Qd32 Engine Manual, users should also consider the potential security risks associated with online platforms. Malicious actors may exploit vulnerabilities in unprotected websites to distribute malware or steal personal information. To protect themselves, individuals should ensure their devices have reliable antivirus software installed and validate the legitimacy of the websites they are downloading from. In conclusion, the ability to download Nissan Qd32 Engine Manual has transformed the way we access information. With the convenience, cost-effectiveness, and accessibility it offers, free PDF downloads have become a popular choice for students, researchers, and book lovers worldwide. However, it is crucial to engage in ethical downloading practices and prioritize personal security when utilizing online platforms. By doing so, individuals can make the most of the vast array of free PDF resources available and embark on a journey of continuous learning and intellectual growth.

FAQs About Nissan Qd32 Engine Manual Books

How do I know which eBook platform is the best for me? Finding the best eBook platform depends on your reading preferences and device compatibility. Research different platforms, read user reviews, and explore their features before making a choice. Are free eBooks of good quality? Yes, many reputable platforms offer high-quality free eBooks, including classics and public domain works. However, make sure to verify the source to ensure the eBook credibility. Can I read eBooks without an eReader? Absolutely! Most eBook platforms offer webbased readers or mobile apps that allow you to read

eBooks on your computer, tablet, or smartphone. How do I avoid digital eye strain while reading eBooks? To prevent digital eye strain, take regular breaks, adjust the font size and background color, and ensure proper lighting while reading eBooks. What the advantage of interactive eBooks? Interactive eBooks incorporate multimedia elements, quizzes, and activities, enhancing the reader engagement and providing a more immersive learning experience. Nissan Qd32 Engine Manual is one of the best book in our library for free trial. We provide copy of Nissan Qd32 Engine Manual in digital format, so the resources that you find are reliable. There are also many Ebooks of related with Nissan Qd32 Engine Manual. Where to download Nissan Qd32 Engine Manual online for free? Are you looking for Nissan Qd32 Engine Manual PDF? This is definitely going to save you time and cash in something you should think about. If you trying to find then search around for online. Without a doubt there are numerous these available and many of them have the freedom. However without doubt you receive whatever you purchase. An alternate way to get ideas is always to check another Nissan Qd32 Engine Manual. This method for see exactly what may be included and adopt these ideas to your book. This site will almost certainly help you save time and effort, money and stress. If you are looking for free books then you really should consider finding to assist you try this. Several of Nissan Qd32 Engine Manual are for sale to free while some are payable. If you arent sure if the books you would like to download works with for usage along with your computer, it is possible to download free trials. The free guides make it easy for someone to free access online library for download books to your device. You can get free download on free trial for lots of books categories. Our library is the biggest of these that have literally hundreds of thousands of different products categories represented. You will also see that there are specific sites catered to different product types or categories, brands or niches related with Nissan Qd32 Engine Manual. So depending on what exactly you are searching, you will be able to choose e books to suit your own need. Need to access completely for Campbell Biology Seventh Edition book? Access Ebook without any digging. And by having access to our ebook online or by storing it on your computer, you have convenient answers with Nissan Qd32 Engine Manual To get started finding Nissan Qd32 Engine Manual, you are right to find our website which has a comprehensive collection of books online. Our library is the biggest of these that have literally hundreds of thousands of different products represented. You will also see that there are specific sites catered to different categories or niches related with Nissan Qd32 Engine Manual So depending on what exactly you are searching, you will be able tochoose ebook to suit your own need. Thank you for reading Nissan Qd32 Engine Manual. Maybe you have knowledge that, people have search numerous times for their favorite readings like this Nissan Qd32 Engine Manual, but end up in harmful downloads. Rather than reading a good book with a cup of coffee in the afternoon, instead they juggled with some harmful bugs inside their laptop. Nissan Qd32 Engine Manual is available in our book collection an online access to it is set as public so you can download it instantly. Our digital library spans in multiple locations, allowing you to get the most less latency time to download any of our books like this one. Merely said, Nissan Qd32 Engine Manual is universally compatible

with any devices to read.

Find Nissan Qd32 Engine Manual :

[United States 24-2216 weight loss tutorial for entrepreneurs 24-306](#)
[24-751 sustainable living trends United States 24-2631 sustainable](#)
[blueprint for creators 24-1187 passive income ideas blueprint for](#)
[States 24-389 SEO strategy explained for creators 24-2983 SEO strategy](#)
monetization tools United States 24-2985 blog monetization tools United
[software USA 24-1120 productivity hacks step by step for entrepreneurs](#)
[America 24-341 data science careers roadmap for creators 24-2138 data](#)
remote work tutorial for creators 24-963 resume writing apps America
business 24-890 content marketing tutorial for startups 24-2019 credit
[America 24-2244 stock market best practices for creators 24-1509 stock](#)
[States 24-1989 coding for beginners comparison United States 24-2685](#)
[business 24-1643 content marketing comparison for creators 24-2855](#)
[trends for small business 24-1867 ecommerce trends tutorial America](#)
[United States 24-1079 passive income ideas checklist for creators](#)
[startups 24-1213 print on demand checklist for startups 24-28 print on](#)

Nissan Qd32 Engine Manual :

chicken dissection worksheets kiddy math - Aug 04 2022

web chicken dissection displaying top 8 worksheets found for this concept some of the worksheets for this concept are lab chicken heart dissection chicken foot dissection lab report dissected chicken labeled heart dissection lab work chicken wing dissection lab answers dissected chicken labeled heart dissection lab work chicken foot

performing a chicken wing dissection asta - Feb 27 2022

web version 1 0 sop performing a chicken wing dissection written by science assist disclaimer asta excludes all liability to any person arising directly or indirectly from using this resource date dec 2017 page 4 of 11 examining and dissecting the chicken wing 1 place the chicken wing on the dissecting board or tray study the external

pdf labeling and analysis of chicken taste buds using - Dec 08 2022

web nov 17 2016 chickens were dissected and xed in sem xativ e we analyzed the expression patterns of t1r1 and t1r3 in the taste cells of chickens labeled by the molecular markers for chicken taste buds

[how to dissect chickens to detect disease farmers weekly](#) - Jul 03 2022

web feb 1 2020 learning how to dissect a chicken can be important skill for poultry producers particularly if there is sudden or unexplained death in the flock ruth wills attended a course with mount vets to

chicken wing dissection northern arizona university - Jul 15 2023

web chicken wing dissection the vertebrate forelimb of human bird and bat may not appear to have much in common but a closer examination of the anatomy shows that the same bones were applied to a variety of different jobs in each of these species evolution doesn t plan ahead it can only work with what s available

[transplantations and dye labeling a chicken embryo with a](#) - Jan 09 2023

web f dorsal view of dissected chicken head showing placement of lipophilic dye into the transplanted ear green arrowhead native ears red arrowheads and into the trigeminal ganglia v magenta

chicken dissection worksheets k12 workbook - May 13 2023

web displaying all worksheets related to chicken dissection worksheets are lab chicken heart dissection chicken foot dissection lab report dissected chicken labeled heart dissection lab work chicken wing dissection lab answers dissected chicken labeled heart dissection lab work chicken foot dissection lab report

chicken dissection worksheets teacher worksheets - Apr 12 2023

web showing top 8 worksheets in the category chicken dissection some of the worksheets displayed are lab chicken heart dissection chicken foot dissection lab report dissected chicken labeled heart dissection lab work chicken wing dissection lab answers dissected chicken labeled heart dissection lab work chicken foot dissection lab report

kirkland chicken tortilla soup mistakenly labeled gluten free - Dec 28 2021

web 2 days ago the ready to eat chicken tortilla soup was made on july 26 the usda said lab testing was done revealing that gluten was in products labeled gluten free once the manufacturer realized there was

dissected chicken labeled cyberlab sutd edu sg - Nov 07 2022

web dissected chicken labeled modern concepts of insulin like growth factors oct 18 2020 to address the explosion of new and exciting information on the insulin like growth factors igfs the second international symposium on insulin like growth factors somatomedins was convened from january 12 16 1991 in san francisco california

[chicken wing dissection youtube](#) - Sep 05 2022

web 10k views 3 years ago students examine the structure and function of bones in a chicken wing and compare them to the structure and function of bones in humans the students investigate the bones

[chicken wing dissection for skeletal muscular systems](#) - Oct 06 2022

web mar 12 2020 for a lab worksheet that coincides with this video go to bit ly suburbansci for more free resources sign up for the science stacks at su

dissected chicken labeled pdf devy ortax org - May 01 2022

web dissected chicken labeled pdf introduction dissected chicken labeled pdf copy guide for the care and use of laboratory animals national research council 2011 01 27 a respected resource for decades the guide for the care and use of laboratory animals has been updated by a committee of experts taking into consideration input from the

how to dissect a chicken for an anatomical look wonderhowto - Jan 29 2022

web jul 28 2008 no problem just watch this video tutorial on dissecting a chicken avian to get you back on your feet this demonstration and lecture of is by an eminent anatomist that will show you how to do it correctly get out your scalpel or carving knife and learn how to open the chicken up for a close look at the anatomy

labeling and analysis of chicken taste buds using molecular - Mar 11 2023

web nov 17 2016 in the present study we developed an efficient method that can be used to label chicken taste buds in oral epithelial sheets using traditional antibody labeling against vimentin and α gustducin

[dissected chicken labeled](#) - Mar 31 2022

web dissected chicken labeled anatomy and physiology chicken dissection lab february 25th 2018 in this lab we dissected a chicken to determine and see the muscle groups and tendons up close this lab allowed us to see each muscle groups underneath the skin and actually still connected to the body chicken leg dissection 1 muscle bone scribd

dissecting a chicken wing lyncean education - Feb 10 2023

web dissecting a chicken wing learn about the bones muscles ligaments and tendons in your own arm with a cheap simple kitchen project most of the higher animals have body plans very much like those of human beings four limbs a head on top with two eyes and two ears a torso with a chest and a belly and so on

[dissecting a whole chicken lyncean education](#) - Aug 16 2023

web whole chickens are just as easy to come by why not dissect a whole chicken to investigate the muscles and bones of the torso you could also dissect a turkey a cornish hen or a holiday duck but i wouldn t recommend it unless you have a special interest in comparative anatomy

dissecting a chicken leg lyncean education - Jun 14 2023

web the chicken s drumsticks are the puppetmasters that control its feet and by dissecting a drumstick we can see a very nice example of such a muscle bundle unlike the chicken wing muscles the muscles in the drumstick are relatively easy to pry apart from one another and examine separately

chicken wing dissection spread your wings edu youtube - Jun 02 2022

web jan 31 2021 this video has actually been requested by multiple schools so we hope it helps someone also asked recently about the dissection tools we use so that is co

noções de geometria descritiva i amazon com br - Jul 31 2023

web compre online noções de geometria descritiva i de príncipe júnior alfredo dos reis na amazon frete grÁtis em milhares de produtos com o amazon prime encontre

registro fonte noções de geometria descritiva ufrj - Mar 27 2023

web compre os livros de alfredo dos reis príncipe junior no maior acervo de livros do brasil encontre aqui obras novas exemplares usados e seminovos pelos melhores preços

bar101 geometria descritiva i ufrj - Jan 25 2023

web 70 10 12k visualizações 159 páginas noções de geometria descritiva alfredo príncipe jr enviado por elanefer ferreira livro de noções de geometria descritiva

livros de alfredo dos reis príncipe jr estante virtual - Dec 12 2021

noções de geometria descritiva i alfredo dos reis príncipe - Sep 01 2023

web alfredo dos reis príncipe junior nbl editora 2018 technology engineering 312 pages com esta obra em mãos você entrará em contato com as primeiras noções de

noções de geometria descritiva volume 1 alfredo dos reis - Nov 22 2022

web bibliografia brasileira corrente janeiro dezembro de 1962 dicionario bibliográfico do paranÁ oficina de livros novidades catalogadas na fonte research catalogue of the

alfredo dos reis príncipe junior pdf uniport edu - Jan 13 2022

web compre os livros de alfredo dos reis príncipe jr no maior acervo de livros do brasil encontre aqui obras novas exemplares usados e seminovos pelos melhores preços

alfredo dos reis príncipe junior ai classmonitor com - Oct 22 2022

web aleph ufr01 0008535162020 10 02t10 13 13z00000nam a22 a 450020180411131135 0170726s1978 spba 000 0 por dbr rjufporbr rjufprincipe

livros de alfredo dos reis príncipe junior estante virtual - Feb 23 2023

web fundamentos e técnicas do sistema triedrico e cotado de representação tomando por modelo o espaço métrico euclidiano as transformações descritivas das imagens

livro noções de geometria descritiva vol 1 alfredo - Jun 29 2023

web livros alfredo dos reis príncipe júnior na amazon com br 1 resultado resultados noções de geometria descritiva i edição português por alfredo dos reis príncipe

[noções de geometria descritiva vol 1 alfredo dos reis](#) - May 17 2022

web download noções de geometria descritiva alfredo príncipe jr type pdf date december 2019 size 132 9mb author elanefer ferreira this document was uploaded

alfredo dos reis príncipe junior abebooks - Apr 27 2023

web noções de geometria descritiva por príncipe junior alfredo dos reis publicado em 1977 noções de geometria descritiva por príncipe junior alfredo dos reis

[noções de geometria descritiva alfredo príncipe jr](#) - Jun 17 2022

web alfredo dos reis príncipe jr livro em português brasil editora nobel ano 1966 conservação regular r 12 90 comprar envio em 24 horas Úteis após a

[noções de geometria descritiva alfredo príncipe jr](#) - Oct 02 2023

web jul 12 2019 alfredo príncipe collection booksbylanguage portuguese booksbylanguage language portuguese noções de geometria descritiva addeddate

[download noções de geometria descritiva alfredo príncipe jr](#) - Apr 15 2022

web autor alfredo dos reis príncipe junior editora nobel 1989 isbn 85 213 0160 x livro usado brochura 327 páginas em bom estado de conservação apresenta marca de

noções de geometria descritiva vol 2 príncipe junior - Mar 15 2022

web jun 12 2023 geometria descritiva príncipe junior compre nocoos de geometria descritiva vol 1 de alfredo dos reis príncipe junior no maior acervo de livros do

[livros alfredo dos reis príncipe júnior na amazon com br](#) - May 29 2023

web nocoos de geometria descritiva vol 1 alfredo dos reis p ed 2015 by alfredo dos reis príncipe junior and a great selection of related books art and collectibles available

[registro fonte noções de geometria descritiva ufrj](#) - Sep 20 2022

web jul 7 2012 livro noções de geometria descritiva príncipe júnior vocês podem encontrar ele também no e books mas apenas as 60 primeiras paginas poderão ser

noções de geometria descritiva alfredo príncipe jr docsity - Aug 20 2022

web confira os 24 livros encontrados para alfredo dos reis príncipe junior nocoos de geometria descritiva vol 1 perto de você se está perto é mais rápido 13 livros novos

noções de geometria descritiva alfredo príncipe jr - Dec 24 2022

web resumo de noções de geometria descritiva volume 1 com esta obra em mãos você entrará em contato com as primeiras noções de geometria descritiva parte da

livros encontrados sobre alfredo dos reis principe junior nocoos - Jul 19 2022

web noções de geometria descritiva i de príncipe júnior alfredo dos reis editora brasil franchising participações ltda capa mole em português 2018 por livraria leitura r

geometria descritiva principe junior secure4 khronos - Feb 11 2022

web oct 7 2023 alfredo dos reis principe junior 1 1 downloaded from uniport edu ng on october 7 2023 by guest alfredo dos reis principe junior eventually you will agreed

model yciv air cooled screw liquid chillers with variable - Aug 06 2023

web the yciv series of air cooled chillers uses the best of modern screw compressor design and manufacturing techniques and combines them with the latest in a long line of chiller variable speed drives the result is superior control and industry leading efficiency at

yciv installation maintenance control pdf machines - Mar 01 2023

web see rec this manual contains all the information required for ommended spare parts on page 346 correct installation and commissioning of the unit to all the scheduled maintenance operations detailed gether with operating and maintenance instructions in this manual must be performed at the specified the manuals should be read thoroughly

yciv air cooled screw chiller johnson controls - Aug 26 2022

web yciv air cooled variable speed drive screw chiller featuring quiet operation at 150 400 tr 530 1 406 kw at york by johnson controls we use the best in modern screw compressor design to bring you the yciv air cooled variable speed drive screw chiller

chillers knowledge exchange - Nov 28 2022

web loading application

johnson controls york yciv a series installation operation manualslib - May 03 2023

web view and download johnson controls york yciv a series installation operation maintenance online air cooled screw liquid chillers york yciv a series chiller pdf manual download also for yciv0157 york yciv0177 york yciv0187 york yciv0207 york yciv0227 york yciv0247 york

yciv operations and maintenance 50 hz manualzz - Jul 25 2022

web categories upload industrial lab equipment electrical equipment supplies

york yciv series manuals manualslib - Apr 02 2023

web we have 1 york yciv series manual available for free pdf download installation operation maintenance york yciv series

installation operation maintenance 326 pages air cooled screw liquid chillers e v high efficiency and s p standard efficiency
brand york category chiller size 12 5 mb table of

[yciv variable speed drive screw chiller york](#) - Sep 07 2023

web ycv variable speed drive screw chiller 150 400 tr 530 1 406 kw the york ycv variable speed drive screw chiller delivers superior control industry leading efficiency and quiet operation variable speed drive power control panel semi hermetic york twin screw compressors

yciv york air cooled screw chiller pdf pdf scribd - Jun 23 2022

web cutout status and setpoints for supply chilled liquid date time used to set time daily or holiday start temperature low suction pressure high discharge stop schedule manual override for servicing and pressure and temperature high oil temperature low sound limiting schedule ambient and low leaving liquid temperature

[york ycv chiller manual pdf view download all guides](#) - May 23 2022

web view online manual for york ycv chiller or simply click download button to examine the york ycv guidelines offline on your desktop or laptop computer

[ycav ycv low suction pressure and high flash tank fault](#) - Oct 28 2022

web product technical support tools chiller iom ycav or ycv as needed flashlight manifold gauges thermocouple temperature tester operation of the feed valve flash tank drain valve level sensor system the operation of the flash tank and feed drain valves for the purposes of troubleshooting is much like a storage tank

york ycv series manuals user guides - Apr 21 2022

web york ycv series manuals user guides user manuals guides and specifications for your york ycv series chiller database contains 1 york ycv series manuals available for free online viewing or downloading in pdf installation operation maintenance

download york ycv manual manualslib - Jan 31 2023

web chiller york ycv0177s p manual 114 pages chiller york ycv series installation operation maintenance 326 pages chiller york ycv 0590 1500 50hz start up checklist 13 pages chiller york ycal0065 user manual 80 pages air cooled scroll chillers style d 50 and 60hz 47 60 ton 165 210 kw

[york chiller ycv service manual pdf](#) - Mar 21 2022

web download the freeof york screw cooler ycav operating manual readcounsel from user manual schematic chart tricia s compilation for york ycav cooler yvaa yorkvariable speed air cooled screw chillers 463service pdf guide york cooler guide to book maintenance results

[equipment affected service and all scroll products information](#) - Feb 17 2022

web panel service manual for instructions all scroll products see table 3 11 02 09 02 13 19 031 03478 02 13 19 yvaa yvfa
yagk ycav yciv mustang chiller control bd 331 03478 2 3 and 4 compressor standard iplv chiller

hos bv - Dec 30 2022

web hos bv

york yciv manual pdf download manualslib - Oct 08 2023

web view and download york yciv manual online air cooled screw liquid chillers with variable speed drive yciv chiller pdf
manual download

york yciv series installation operation maintenance manualslib - Jul 05 2023

web view and download york yciv series installation operation maintenance online air cooled screw liquid chillers e v high
efficiency and s p standard efficiency yciv series chiller pdf manual download

johnson controls - Jun 04 2023

web johnson controls

york yciv series manual installation operation maintenance - Sep 26 2022

web jan 6 2023 specifications 1687 1687439 yciv series pdf file 01 jun 2023 manufacturer york category of device chiller
document yciv series installation operation maintenance file type pdf updated 01 06 2023 count of pages 326 download yciv
series manual 326 pages york yciv series read manual online accompanying data