

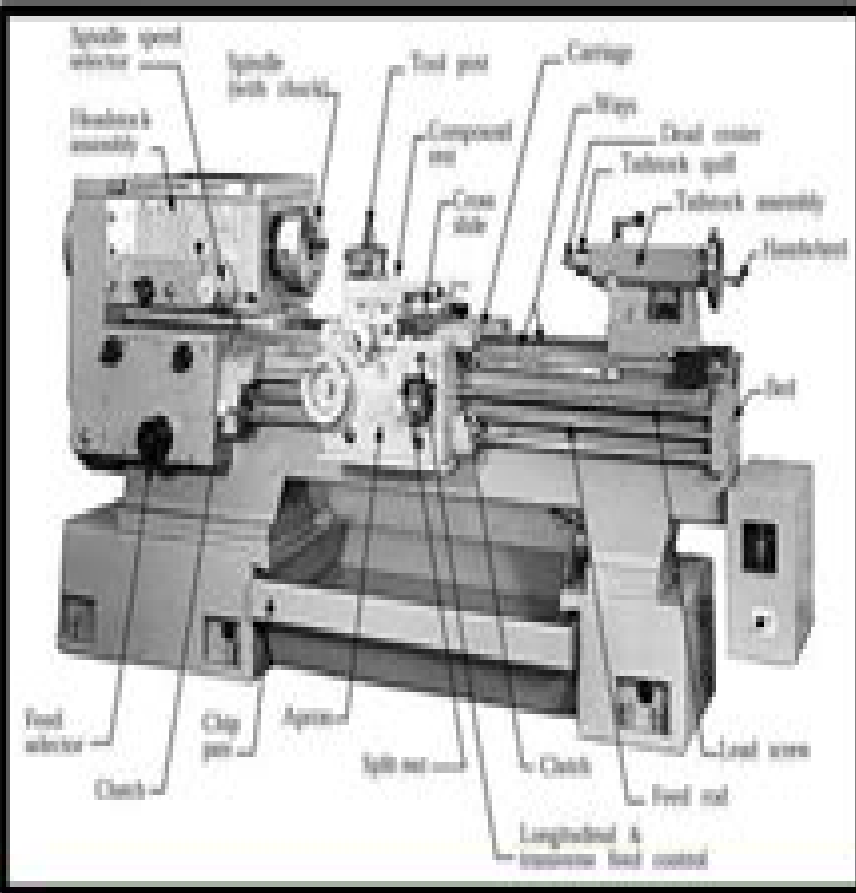
LATHE MACHINE SPECIAL MCQ

SUB-LATHE PARTS

Top 20 MCQ

Class- 01

BARC || ISRO || NFC || NPCIL



जो Questions हर बार Exam में आता है

Objective Questions Answers In Lathe Machine

L Manion



Objective Questions Answers In Lathe Machine:

Recognizing the habit ways to get this book **Objective Questions Answers In Lathe Machine** is additionally useful. You have remained in right site to begin getting this info. acquire the Objective Questions Answers In Lathe Machine partner that we manage to pay for here and check out the link.

You could buy guide Objective Questions Answers In Lathe Machine or get it as soon as feasible. You could quickly download this Objective Questions Answers In Lathe Machine after getting deal. So, once you require the books swiftly, you can straight get it. Its for that reason agreed easy and so fats, isnt it? You have to favor to in this make public

<https://py.bijouxmedusa.com/public/browse/index.jsp/Startups%20100%20293%20Small%20Business%20Ideas%20For%20Beginners%20America%20100%202163.pdf>

Table of Contents Objective Questions Answers In Lathe Machine

1. Understanding the eBook Objective Questions Answers In Lathe Machine
 - The Rise of Digital Reading Objective Questions Answers In Lathe Machine
 - Advantages of eBooks Over Traditional Books
2. Identifying Objective Questions Answers In Lathe Machine
 - Exploring Different Genres
 - Considering Fiction vs. Non-Fiction
 - Determining Your Reading Goals
3. Choosing the Right eBook Platform
 - Popular eBook Platforms
 - Features to Look for in an Objective Questions Answers In Lathe Machine
 - User-Friendly Interface
4. Exploring eBook Recommendations from Objective Questions Answers In Lathe Machine
 - Personalized Recommendations
 - Objective Questions Answers In Lathe Machine User Reviews and Ratings
 - Objective Questions Answers In Lathe Machine and Bestseller Lists

5. Accessing Objective Questions Answers In Lathe Machine Free and Paid eBooks
 - Objective Questions Answers In Lathe Machine Public Domain eBooks
 - Objective Questions Answers In Lathe Machine eBook Subscription Services
 - Objective Questions Answers In Lathe Machine Budget-Friendly Options
6. Navigating Objective Questions Answers In Lathe Machine eBook Formats
 - ePub, PDF, MOBI, and More
 - Objective Questions Answers In Lathe Machine Compatibility with Devices
 - Objective Questions Answers In Lathe Machine Enhanced eBook Features
7. Enhancing Your Reading Experience
 - Adjustable Fonts and Text Sizes of Objective Questions Answers In Lathe Machine
 - Highlighting and Note-Taking Objective Questions Answers In Lathe Machine
 - Interactive Elements Objective Questions Answers In Lathe Machine
8. Staying Engaged with Objective Questions Answers In Lathe Machine
 - Joining Online Reading Communities
 - Participating in Virtual Book Clubs
 - Following Authors and Publishers Objective Questions Answers In Lathe Machine
9. Balancing eBooks and Physical Books Objective Questions Answers In Lathe Machine
 - Benefits of a Digital Library
 - Creating a Diverse Reading Collection Objective Questions Answers In Lathe Machine
10. Overcoming Reading Challenges
 - Dealing with Digital Eye Strain
 - Minimizing Distractions
 - Managing Screen Time
11. Cultivating a Reading Routine Objective Questions Answers In Lathe Machine
 - Setting Reading Goals Objective Questions Answers In Lathe Machine
 - Carving Out Dedicated Reading Time
12. Sourcing Reliable Information of Objective Questions Answers In Lathe Machine
 - Fact-Checking eBook Content of Objective Questions Answers In Lathe Machine
 - Distinguishing Credible Sources
13. Promoting Lifelong Learning

- Utilizing eBooks for Skill Development
 - Exploring Educational eBooks
14. Embracing eBook Trends
- Integration of Multimedia Elements
 - Interactive and Gamified eBooks

Objective Questions Answers In Lathe Machine Introduction

Free PDF Books and Manuals for Download: Unlocking Knowledge at Your Fingertips In today's fast-paced digital age, obtaining valuable knowledge has become easier than ever. Thanks to the internet, a vast array of books and manuals are now available for free download in PDF format. Whether you are a student, professional, or simply an avid reader, this treasure trove of downloadable resources offers a wealth of information, conveniently accessible anytime, anywhere. The advent of online libraries and platforms dedicated to sharing knowledge has revolutionized the way we consume information. No longer confined to physical libraries or bookstores, readers can now access an extensive collection of digital books and manuals with just a few clicks. These resources, available in PDF, Microsoft Word, and PowerPoint formats, cater to a wide range of interests, including literature, technology, science, history, and much more. One notable platform where you can explore and download free Objective Questions Answers In Lathe Machine PDF books and manuals is the internet's largest free library. Hosted online, this catalog compiles a vast assortment of documents, making it a veritable goldmine of knowledge. With its easy-to-use website interface and customizable PDF generator, this platform offers a user-friendly experience, allowing individuals to effortlessly navigate and access the information they seek. The availability of free PDF books and manuals on this platform demonstrates its commitment to democratizing education and empowering individuals with the tools needed to succeed in their chosen fields. It allows anyone, regardless of their background or financial limitations, to expand their horizons and gain insights from experts in various disciplines. One of the most significant advantages of downloading PDF books and manuals lies in their portability. Unlike physical copies, digital books can be stored and carried on a single device, such as a tablet or smartphone, saving valuable space and weight. This convenience makes it possible for readers to have their entire library at their fingertips, whether they are commuting, traveling, or simply enjoying a lazy afternoon at home. Additionally, digital files are easily searchable, enabling readers to locate specific information within seconds. With a few keystrokes, users can search for keywords, topics, or phrases, making research and finding relevant information a breeze. This efficiency saves time and effort, streamlining the learning process and allowing individuals to focus on extracting the information they need. Furthermore, the availability of free PDF books and manuals fosters a culture of continuous learning. By removing financial barriers, more people can access educational resources and

pursue lifelong learning, contributing to personal growth and professional development. This democratization of knowledge promotes intellectual curiosity and empowers individuals to become lifelong learners, promoting progress and innovation in various fields. It is worth noting that while accessing free Objective Questions Answers In Lathe Machine PDF books and manuals is convenient and cost-effective, it is vital to respect copyright laws and intellectual property rights. Platforms offering free downloads often operate within legal boundaries, ensuring that the materials they provide are either in the public domain or authorized for distribution. By adhering to copyright laws, users can enjoy the benefits of free access to knowledge while supporting the authors and publishers who make these resources available. In conclusion, the availability of Objective Questions Answers In Lathe Machine free PDF books and manuals for download has revolutionized the way we access and consume knowledge. With just a few clicks, individuals can explore a vast collection of resources across different disciplines, all free of charge. This accessibility empowers individuals to become lifelong learners, contributing to personal growth, professional development, and the advancement of society as a whole. So why not unlock a world of knowledge today? Start exploring the vast sea of free PDF books and manuals waiting to be discovered right at your fingertips.

FAQs About Objective Questions Answers In Lathe Machine Books

1. Where can I buy Objective Questions Answers In Lathe Machine books? Bookstores: Physical bookstores like Barnes & Noble, Waterstones, and independent local stores. Online Retailers: Amazon, Book Depository, and various online bookstores offer a wide range of books in physical and digital formats.
2. What are the different book formats available? Hardcover: Sturdy and durable, usually more expensive. Paperback: Cheaper, lighter, and more portable than hardcovers. E-books: Digital books available for e-readers like Kindle or software like Apple Books, Kindle, and Google Play Books.
3. How do I choose a Objective Questions Answers In Lathe Machine book to read? Genres: Consider the genre you enjoy (fiction, non-fiction, mystery, sci-fi, etc.). Recommendations: Ask friends, join book clubs, or explore online reviews and recommendations. Author: If you like a particular author, you might enjoy more of their work.
4. How do I take care of Objective Questions Answers In Lathe Machine books? Storage: Keep them away from direct sunlight and in a dry environment. Handling: Avoid folding pages, use bookmarks, and handle them with clean hands. Cleaning: Gently dust the covers and pages occasionally.
5. Can I borrow books without buying them? Public Libraries: Local libraries offer a wide range of books for borrowing. Book Swaps: Community book exchanges or online platforms where people exchange books.

6. How can I track my reading progress or manage my book collection? Book Tracking Apps: Goodreads, LibraryThing, and Book Catalogue are popular apps for tracking your reading progress and managing book collections. Spreadsheets: You can create your own spreadsheet to track books read, ratings, and other details.
7. What are Objective Questions Answers In Lathe Machine audiobooks, and where can I find them? Audiobooks: Audio recordings of books, perfect for listening while commuting or multitasking. Platforms: Audible, LibriVox, and Google Play Books offer a wide selection of audiobooks.
8. How do I support authors or the book industry? Buy Books: Purchase books from authors or independent bookstores. Reviews: Leave reviews on platforms like Goodreads or Amazon. Promotion: Share your favorite books on social media or recommend them to friends.
9. Are there book clubs or reading communities I can join? Local Clubs: Check for local book clubs in libraries or community centers. Online Communities: Platforms like Goodreads have virtual book clubs and discussion groups.
10. Can I read Objective Questions Answers In Lathe Machine books for free? Public Domain Books: Many classic books are available for free as they're in the public domain. Free E-books: Some websites offer free e-books legally, like Project Gutenberg or Open Library.

Find Objective Questions Answers In Lathe Machine :

[startups 100-293 small business ideas for beginners America 100-2163](#)
[trends United States 100-1670 budget travel trends United States](#)
[America 100-2635 real estate investing explained United States 100-1659](#)
[100-314 self improvement strategies America 100-938 self improvement](#)
[100-1693 digital marketing blueprint USA 100-1619 digital marketing](#)
[100-645 passive income ideas trends United States 100-2569 passive](#)
[100-1028 SEO strategy step by step United States 100-1037 SEO strategy](#)
[business automation tips America 100-2863 business automation tips USA](#)
[wearable technology for beginners for startups 100-155 wearable](#)
[100-1510 career growth comparison for startups 100-1603 career growth](#)
[case study for creators 100-631 resume writing case study for](#)
[entrepreneurs 100-1211 SEO strategy roadmap for entrepreneurs 100-1433](#)
[beginners America 100-729 smart home tech for beginners United States](#)

**hacks guide for small business 100-2178 productivity hacks ideas USA
comparison for small business 100-1509 budget travel comparison for**

Objective Questions Answers In Lathe Machine :

industries of architecture critiques paperback amazon co uk - May 18 2023

web buy industries of architecture critiques 1 by lloyd thomas katie amhoff tilo beech nick isbn 9781138946828 from amazon s book store everyday low prices and free delivery on eligible orders

industries of architecture 1st edition katie lloyd thomas tilo a - Feb 15 2023

web contributors turn to historical and theoretical questions as well as to key contemporary developments taking a humanities approach to the industries of architecture that will be of interest to practitioners and industry professionals as much as to academic researchers teachers and students

industries of architecture critiques paperback oblong books - Mar 16 2023

web at a time when the technologies and techniques of producing the built environment are undergoing significant change this book makes central architecture s relationship to industry

industries of architecture critiques paperback hooked - Apr 17 2023

web how has modern architecture responded to mass production how do we understand the necessarily social nature of production in the architectural office and on the building site and how is architecture entwined within wider fields of production and reproduction finance capital the spaces of regulation and management techniques

industries of architecture critiques hardcover amazon co uk - Jul 20 2023

web buy industries of architecture critiques 1 by lloyd thomas katie amhoff tilo beech nick isbn 9781138946811 from amazon s book store everyday low prices and free delivery on eligible orders

industries of architecture critiques paperback golden lab - Dec 13 2022

web his research concerns the transformation of the construction industry and architectural professions during and immediately following the second world war nick also researchers european new left arguments of the mid twentieth century relating to culture the everyday and state formation

the top 10 architecture highlights of singapore culture trip - Jun 07 2022

web may 11 2020 cooled conservatories at gardens by the bay besides the supertree grove the two monoliths that make up the cooled conservatories are probably the most visually arresting bits of gardens by the bay shaped like the back fossils of a recently discovered dinosaur they house the flower dome and the cloud forest

singapore s 20 largest architecture firms in 2017 - Jan 14 2023

web oct 20 2017 the construction industry in singapore has not been promising as of late with some of the city s largest architectural firms experiencing revenue cuts for the second year running slower business resulted in a painful 30 40 slash in singapore revenue for swan maclaren architects while dp architects drew 30 of its revenue from

9781138946811 industries of architecture critiques abebooks - Mar 04 2022

web abebooks com industries of architecture critiques 9781138946811 and a great selection of similar new used and collectible books available now at great prices

industries of architecture critiques paperback print a - Aug 09 2022

web how has modern architecture responded to mass production how do we understand the necessarily social nature of production in the architectural office and on the building site and how is architecture entwined within wider fields of production and reproduction finance capital the spaces of regulation and management techniques

industries of architecture critiques critical studies in - Apr 05 2022

web cashback on every item 30 day returns excellent 4 4 out of 5 onbuy protection 30 day returns excellent 4 4 out of 5 onbuy protection

industries of architecture katie lloyd thomas tilo amhoff nick - Jun 19 2023

web nov 19 2015 abstract at a time when the technologies and techniques of producing the built environment are undergoing significant change this book makes central architecture s relationship to industry

industries of architecture critiques paperback ink spell books - Nov 12 2022

web how has modern architecture responded to mass production how do we understand the necessarily social nature of production in the architectural office and on the building site and how is architecture entwined within wider fields of production and reproduction finance capital the spaces of regulation and management techniques

industries of architecture critiques paperback annie bloom s - Oct 11 2022

web industries of architecture critiques paperback search for a book search advanced search taking a humanities approach to the industries of architecture that will be of interest to practitioners and industry professionals as much as to academic researchers teachers and students

industries of architecture - Aug 21 2023

web please note that full papers will be required prior to the conference for panel chairs and to begin the editorial process for publication in the industries of architecture volume in the routledge critiques series and a special conference issue of architecture and culture

industries of architecture critiques paperback centuries - Sep 22 2023

web how has modern architecture responded to mass production how do we understand the necessarily social nature of

production in the architectural office and on the building site and how is architecture entwined within wider fields of production and reproduction finance capital the spaces of regulation and management techniques

industries of architecture google books - May 06 2022

web nov 6 2015 katie lloyd thomas tilo amhoff nick beech routledge nov 6 2015 architecture 366 pages at a time when the technologies and techniques of producing the built environment are undergoing significant change this book makes central architecture s relationship to industry

industries of architecture critiques amazon com - Oct 23 2023

web nov 19 2015 industries of architecture critiques lloyd thomas katie amhoff tilo beech nick on amazon com free shipping on qualifying offers industries of architecture critiques

buy industries of architecture critiques book online at low - Sep 10 2022

web amazon in buy industries of architecture critiques book online at best prices in india on amazon in read industries of architecture critiques book reviews author details and more at amazon in free delivery on qualified orders

industries of architecture critiques 9781138946828 abebooks - Jul 08 2022

web abebooks com industries of architecture critiques 9781138946828 and a great selection of similar new used and collectible books available now at great prices

what is metaphysics the british academy - May 09 2023

web aug 14 2020 metaphysics sounds as though it should be something like physics only meta actually meta in ancient greek meant after the word metaphysics was coined by an ancient editor of aristotle s works who simply used

metaphysics routledge encyclopedia of philosophy - Jan 05 2023

web metaphysics is a broad area of philosophy marked out by two types of inquiry the first aims to be the most general investigation possible into the nature of reality are there principles applying to everything that is real to all that is if we abstract from the particular nature of existing things that which distinguishes them from each

metaphysics definition problems theories history criticism - Aug 12 2023

web oct 17 2023 metaphysics branch of philosophy whose topics in antiquity and the middle ages were the first causes of things and the nature of being later many other topics came to be included under the heading metaphysics the set of problems that now make up the subject matter of metaphysics is extremely diverse

metaphysics simple english wikipedia the free encyclopedia - Feb 06 2023

web metaphysics is a major branch of philosophy it concerns existence and the nature of things that exist altogether it is a theory of reality ontology is the part of metaphysics which discusses what exists the categories of being apart from ontology metaphysics concerns the nature of and relations among the things that exist

[metaphysics english meaning cambridge dictionary](#) - Mar 07 2023

web metaphysics definition 1 the part of philosophy that is about understanding existence and knowledge 2 the part of learn more

concept problems and theories of metaphysics britannica - Apr 08 2023

web metaphysics branch of philosophy that studies the ultimate structure and constitution of reality i e of that which is real insofar as it is real the term which means literally what comes after physics was used to refer to the treatise by aristotle on what he himself called first philosophy

metaphysics wikipedia - Oct 14 2023

web t e metaphysics is the branch of philosophy that studies the fundamental nature of reality this includes the first principles of being or existence identity change space and time cause and effect necessity actuality and possibility

outline of metaphysics wikipedia - Jun 10 2023

web the following outline is provided as an overview of and topical guide to metaphysics metaphysics traditional branch of philosophy concerned with explaining the fundamental nature of being and the world that encompasses it although the term is not easily defined

metaphysics definition meaning merriam webster - Jul 11 2023

web plural in form but singular in construction synonyms of metaphysics 1 a 1 a division of philosophy that is concerned with the fundamental nature of reality and being and that includes ontology cosmology and often epistemology

metaphysics stanford encyclopedia of philosophy - Sep 13 2023

web sep 10 2007 metaphysics it is not easy to say what metaphysics is ancient and medieval philosophers might have said that metaphysics was like chemistry or astrology to be defined by its subject matter metaphysics was the science that studied being as such or the first causes of things or things that do not change

a beginner s guide to interior design principles and elements - Mar 23 2022

web learn the fundamentals of interior design and discover how to put these skills into practice to transform interior spaces with this online course from the british academy of interior design a beginner s guide to interior design principles and elements futurelearn

interior design a true beginners guide to decorat askstage - Oct 18 2021

web find your style if you re a novice decorator and beginners guide to interior design and decorating on a budgetinterior design is both an art and a science requiring formal study in several subjects including fabric and color furniture design space planning and architecture

interior design basics how to decorate a home décor aid - Aug 08 2023

web 5 min read because sometimes you don't know where to start when decorating your home we're here to help you understand interior design basics if you aren't design minded mastering the principles of interior design can be tricky and we want to make it easier to learn interior design basics

how to decorate your home in 2022 9 free tutorials - Mar 03 2023

web interior design tutorial how to choose your color palette in any interior design project the choice of color is extremely important as it will impact the entire look from the materials to the furniture

the new design rules how to decorate and renovate from start - Jun 25 2022

web may 10 2022 from the author of the new york times bestseller styled here is emily henderson's masterclass on interior design an approachable guide for anyone who is looking for tools and resources to create a home that speaks to who they are and what they love joanna gains whether you're embarking on a weekend refresh or complete

[decorating 101 interior design basics the spruce](#) - Sep 09 2023

web aug 3 2020 elements of decor your first step should be to select a style for your home interior this will promote the design principle of unity and harmony thinking of the entire home with a unifying theme it can be as simple as choosing shabby chic instead of formal or traditional instead of contemporary

12 simple dos and don'ts for interior design beginners - Apr 23 2022

web mar 22 2022 easy tips on home decorating for beginners here is a list of 12 do's don'ts for home designing for an interior design beginner discover more interior design style ideas at beautiful homes

basic principles of interior design the spruce - Aug 28 2022

web jun 8 2020 when you know the basic interior design principles you can transform any space to look fabulous you know what it feels like when you walk into a well designed room you can sense how everything feels cohesive and put together it feels just right you can achieve that effect in your own home with a little knowledge of basic design principles

[*decorating ideas tips for your home the spruce*](#) - Feb 19 2022

web 4 designers on the trendy items they regret buying 15 stained glass window ideas for any room 20 dorm room decorating ideas to personalize your space 25 airy bay window ideas to light up any room 14 ideas for the perfect terrazzo tile inspiration 24 stair railing ideas that look modern and sleek

[*what is interior decorating the spruce*](#) - Dec 20 2021

web dec 16 2020 interior decorating is simply outfitting a space with items you like for some the aesthetic of their home is so important to them that they enlist a professional interior designer to choose furniture wall coverings accessories rugs and more an interior designer is someone who is hired to design a space

interior design a true beginners guide to decorating on a - May 25 2022

web mar 11 2015 interior design a true beginners guide to decorating on a budget paperback illustrated march 11 2015 by karen mitchell author 3 5 105 ratings

how to decorate a living room in 13 steps the spruce - Jan 01 2023

web jun 16 2023 01 of 13 measure your space the spruce michelle becker before you can make any drastic decisions about decorating your living space you ll want to have an accurate sense of its square footage proper measurements will ensure you select the correct size rug furnishings and window treatments designer kate lester says

interior design basics 5 interior design tips for beginners - Jul 07 2023

web jun 7 2021 interior design basics 5 interior design tips for beginners written by masterclass last updated jun 7 2021 3 min read whether you re making over your home or want to become a professional interior designer here are tips and interior design basics to get you started

beginners guide to interior design and decorating on a budget - Oct 10 2023

web beginners guide to interior design and decorating interior design advice that every beginner should know before decorating their home

ultimate guide to home interiors for first time homeowners design - Sep 28 2022

web jul 20 2023 why effective space planning is important for your home an ideal home interior is one that s blessed with the desired comfort and easily accommodates everything here are some interior design tips for a hassle free spatial planning experience for your first home room functionality learn how each room plays a role in your home

home decorating for beginners dengarden - Oct 30 2022

web may 3 2023 get familiar with basic elements and principles of design interior design principles may seem a little daunting but you can easily make sense of these basics just think about the placement of furnishings that balance visual weight in the room if you like a traditional style the use of symmetry will make you happy

ad s ultimate guide to interior decorating architectural digest - May 05 2023

web find inspiration for your living room design in these collections of rooms from the archives of architectural digest these chic spaces showcase genius ideas for styling your fireplace mantel

70 best interior design ideas from professional designers house beautiful - Jul 27 2022

web oct 26 2023 these interior decoration ideas tips and tricks will help you make home decisions find the best paint colors wallpaper ideas furniture advice and more

the complete guide to interior design tips from basics to pro - Jun 06 2023

web this guide will provide you with essential tips for starting your interior design projects ensuring a successful journey towards realising your design dreams before you embark on your interior design journey laying the groundwork for a

interior design a true beginners guide to decorating on a budget - Nov 18 2021

web mar 11 2015 do you want to know how to decorate on a budget are you looking for the best ways to design your home do you want to decorate your home but don t want to spend a lot of money inside we give you the best colors and layouts to use for any apartment or house layout

interior design 101 a beginner s guide to home decorating - Nov 30 2022

web the infographic teaches you the fundamentals of design learn the basic principles when adding or removing furniture and what to consider when incorporating new colors in your home plus find out the hottest trends in interior design beginner or not this infographic will help you decorate like a pro and create the space you ve always

11 unmissable interior design tips for making a house a home - Apr 04 2023

web sep 27 2023 interior design tips for beginners if you re new to interior design and haven t undertaken a home renovation project before then it can be a daunting prospect however by starting with a few basic tips you can fine tune what your interior taste is before then taking the steps to bring it to life

52 decorating tips straight from interior designers mydomaine - Feb 02 2023

web jun 14 2022 5 build a timeless base layer katie martinez design when decorating break down the room into a few different layers your base layer should include your biggest furniture the pieces you ll take with you from home to home your second layer includes smaller furniture and your third layer includes textiles and accessories

a beginner s guide to interior design udemy - Jan 21 2022

web after all the course represents the basics of interior design that everyone should know just for your information the course comprises the following lectures 1 introduction what you will get in this course 2 the elements of interior design learn the basics of proper interior design achieve harmony in the home through the correct use