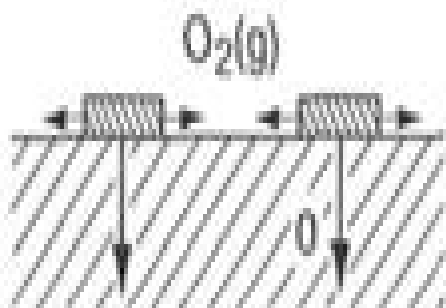


Adsorption

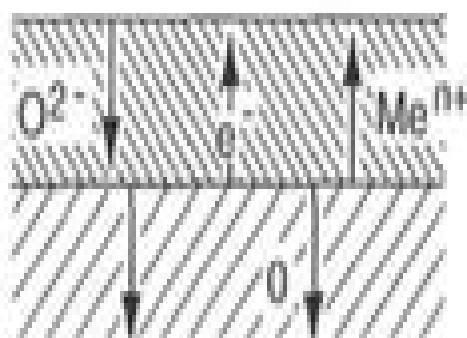
(a)



Oxide nucleation + growth

Oxygen dissolution

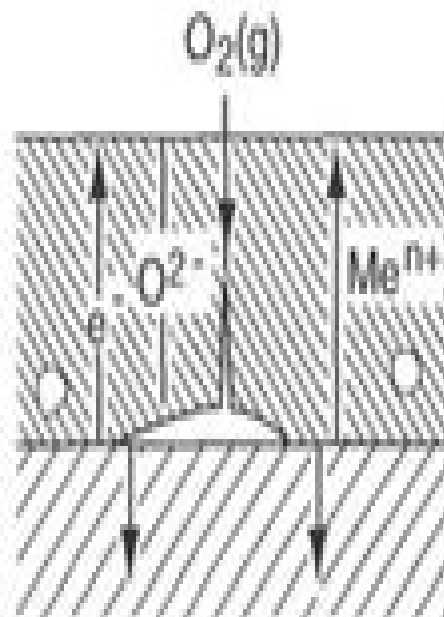
(b)



Film/scale growth

Internal oxidation

(c)

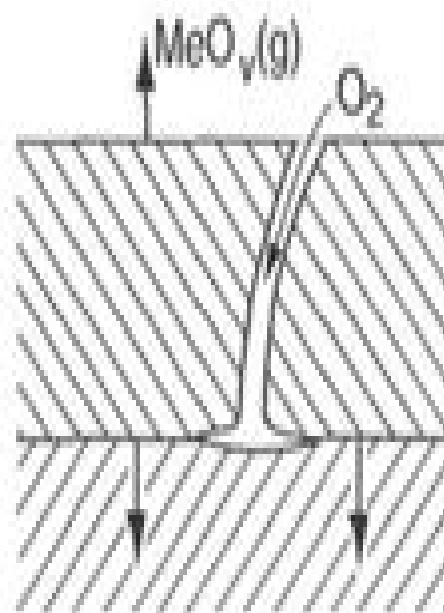


Cavities

Porosity

Microcracks

(d)



Macrocracks

Possible molten oxide phases, oxide evaporation

(e)

Oxide Scale Behavior In High Temperature Metal Processing

IM Harris



Oxide Scale Behavior In High Temperature Metal Processing:

Reviewing **Oxide Scale Behavior In High Temperature Metal Processing**: Unlocking the Spellbinding Force of Linguistics

In a fast-paced world fueled by information and interconnectivity, the spellbinding force of linguistics has acquired newfound prominence. Its capacity to evoke emotions, stimulate contemplation, and stimulate metamorphosis is truly astonishing. Within the pages of "**Oxide Scale Behavior In High Temperature Metal Processing**," an enthralling opus penned by a highly acclaimed wordsmith, readers set about an immersive expedition to unravel the intricate significance of language and its indelible imprint on our lives. Throughout this assessment, we shall delve in to the book is central motifs, appraise its distinctive narrative style, and gauge its overarching influence on the minds of its readers.

https://py.bijouxmedusa.com/book/browse/Download_PDFS/small_business_61_848_crypto_trading_software_america_61_168_9_crypto.pdf

Table of Contents Oxide Scale Behavior In High Temperature Metal Processing

1. Understanding the eBook Oxide Scale Behavior In High Temperature Metal Processing
 - The Rise of Digital Reading Oxide Scale Behavior In High Temperature Metal Processing
 - Advantages of eBooks Over Traditional Books
2. Identifying Oxide Scale Behavior In High Temperature Metal Processing
 - Exploring Different Genres
 - Considering Fiction vs. Non-Fiction
 - Determining Your Reading Goals
3. Choosing the Right eBook Platform
 - Popular eBook Platforms
 - Features to Look for in an Oxide Scale Behavior In High Temperature Metal Processing
 - User-Friendly Interface
4. Exploring eBook Recommendations from Oxide Scale Behavior In High Temperature Metal Processing
 - Personalized Recommendations

Oxide Scale Behavior In High Temperature Metal Processing

- Oxide Scale Behavior In High Temperature Metal Processing User Reviews and Ratings
- Oxide Scale Behavior In High Temperature Metal Processing and Bestseller Lists
- 5. Accessing Oxide Scale Behavior In High Temperature Metal Processing Free and Paid eBooks
 - Oxide Scale Behavior In High Temperature Metal Processing Public Domain eBooks
 - Oxide Scale Behavior In High Temperature Metal Processing eBook Subscription Services
 - Oxide Scale Behavior In High Temperature Metal Processing Budget-Friendly Options
- 6. Navigating Oxide Scale Behavior In High Temperature Metal Processing eBook Formats
 - ePub, PDF, MOBI, and More
 - Oxide Scale Behavior In High Temperature Metal Processing Compatibility with Devices
 - Oxide Scale Behavior In High Temperature Metal Processing Enhanced eBook Features
- 7. Enhancing Your Reading Experience
 - Adjustable Fonts and Text Sizes of Oxide Scale Behavior In High Temperature Metal Processing
 - Highlighting and Note-Taking Oxide Scale Behavior In High Temperature Metal Processing
 - Interactive Elements Oxide Scale Behavior In High Temperature Metal Processing
- 8. Staying Engaged with Oxide Scale Behavior In High Temperature Metal Processing
 - Joining Online Reading Communities
 - Participating in Virtual Book Clubs
 - Following Authors and Publishers Oxide Scale Behavior In High Temperature Metal Processing
- 9. Balancing eBooks and Physical Books Oxide Scale Behavior In High Temperature Metal Processing
 - Benefits of a Digital Library
 - Creating a Diverse Reading Collection Oxide Scale Behavior In High Temperature Metal Processing
- 10. Overcoming Reading Challenges
 - Dealing with Digital Eye Strain
 - Minimizing Distractions
 - Managing Screen Time
- 11. Cultivating a Reading Routine Oxide Scale Behavior In High Temperature Metal Processing
 - Setting Reading Goals Oxide Scale Behavior In High Temperature Metal Processing
 - Carving Out Dedicated Reading Time
- 12. Sourcing Reliable Information of Oxide Scale Behavior In High Temperature Metal Processing
 - Fact-Checking eBook Content of Oxide Scale Behavior In High Temperature Metal Processing

- Distinguishing Credible Sources
13. Promoting Lifelong Learning
 - Utilizing eBooks for Skill Development
 - Exploring Educational eBooks
 14. Embracing eBook Trends
 - Integration of Multimedia Elements
 - Interactive and Gamified eBooks

Oxide Scale Behavior In High Temperature Metal Processing Introduction

Oxide Scale Behavior In High Temperature Metal Processing Offers over 60,000 free eBooks, including many classics that are in the public domain. Open Library: Provides access to over 1 million free eBooks, including classic literature and contemporary works. Oxide Scale Behavior In High Temperature Metal Processing Offers a vast collection of books, some of which are available for free as PDF downloads, particularly older books in the public domain. Oxide Scale Behavior In High Temperature Metal Processing : This website hosts a vast collection of scientific articles, books, and textbooks. While it operates in a legal gray area due to copyright issues, its a popular resource for finding various publications. Internet Archive for Oxide Scale Behavior In High Temperature Metal Processing : Has an extensive collection of digital content, including books, articles, videos, and more. It has a massive library of free downloadable books. Free-eBooks Oxide Scale Behavior In High Temperature Metal Processing Offers a diverse range of free eBooks across various genres. Oxide Scale Behavior In High Temperature Metal Processing Focuses mainly on educational books, textbooks, and business books. It offers free PDF downloads for educational purposes. Oxide Scale Behavior In High Temperature Metal Processing Provides a large selection of free eBooks in different genres, which are available for download in various formats, including PDF. Finding specific Oxide Scale Behavior In High Temperature Metal Processing, especially related to Oxide Scale Behavior In High Temperature Metal Processing, might be challenging as theyre often artistic creations rather than practical blueprints. However, you can explore the following steps to search for or create your own Online Searches: Look for websites, forums, or blogs dedicated to Oxide Scale Behavior In High Temperature Metal Processing, Sometimes enthusiasts share their designs or concepts in PDF format. Books and Magazines Some Oxide Scale Behavior In High Temperature Metal Processing books or magazines might include. Look for these in online stores or libraries. Remember that while Oxide Scale Behavior In High Temperature Metal Processing, sharing copyrighted material without permission is not legal. Always ensure youre either creating your own or obtaining them from legitimate sources that allow sharing and downloading. Library Check if your local library offers eBook lending services. Many libraries have digital catalogs where you can borrow Oxide Scale Behavior In High

Oxide Scale Behavior In High Temperature Metal Processing

Temperature Metal Processing eBooks for free, including popular titles. Online Retailers: Websites like Amazon, Google Books, or Apple Books often sell eBooks. Sometimes, authors or publishers offer promotions or free periods for certain books. Authors Website Occasionally, authors provide excerpts or short stories for free on their websites. While this might not be the Oxide Scale Behavior In High Temperature Metal Processing full book, it can give you a taste of the authors writing style. Subscription Services Platforms like Kindle Unlimited or Scribd offer subscription-based access to a wide range of Oxide Scale Behavior In High Temperature Metal Processing eBooks, including some popular titles.

FAQs About Oxide Scale Behavior In High Temperature Metal Processing Books

How do I know which eBook platform is the best for me? Finding the best eBook platform depends on your reading preferences and device compatibility. Research different platforms, read user reviews, and explore their features before making a choice. Are free eBooks of good quality? Yes, many reputable platforms offer high-quality free eBooks, including classics and public domain works. However, make sure to verify the source to ensure the eBook credibility. Can I read eBooks without an eReader? Absolutely! Most eBook platforms offer webbased readers or mobile apps that allow you to read eBooks on your computer, tablet, or smartphone. How do I avoid digital eye strain while reading eBooks? To prevent digital eye strain, take regular breaks, adjust the font size and background color, and ensure proper lighting while reading eBooks. What the advantage of interactive eBooks? Interactive eBooks incorporate multimedia elements, quizzes, and activities, enhancing the reader engagement and providing a more immersive learning experience. Oxide Scale Behavior In High Temperature Metal Processing is one of the best book in our library for free trial. We provide copy of Oxide Scale Behavior In High Temperature Metal Processing in digital format, so the resources that you find are reliable. There are also many Ebooks of related with Oxide Scale Behavior In High Temperature Metal Processing. Where to download Oxide Scale Behavior In High Temperature Metal Processing online for free? Are you looking for Oxide Scale Behavior In High Temperature Metal Processing PDF? This is definitely going to save you time and cash in something you should think about. If you trying to find then search around for online. Without a doubt there are numerous these available and many of them have the freedom. However without doubt you receive whatever you purchase. An alternate way to get ideas is always to check another Oxide Scale Behavior In High Temperature Metal Processing. This method for see exactly what may be included and adopt these ideas to your book. This site will almost certainly help you save time and effort, money and stress. If you are looking for free books then you really should consider finding to assist you try this. Several of Oxide Scale Behavior In High Temperature Metal Processing are for sale to free while some are payable. If you arent sure if the books you would like to download works with for usage along with your computer, it is possible to download free trials. The free guides make it easy for someone to

Oxide Scale Behavior In High Temperature Metal Processing

free access online library for download books to your device. You can get free download on free trial for lots of books categories. Our library is the biggest of these that have literally hundreds of thousands of different products categories represented. You will also see that there are specific sites catered to different product types or categories, brands or niches related with Oxide Scale Behavior In High Temperature Metal Processing. So depending on what exactly you are searching, you will be able to choose e books to suit your own need. Need to access completely for Campbell Biology Seventh Edition book? Access Ebook without any digging. And by having access to our ebook online or by storing it on your computer, you have convenient answers with Oxide Scale Behavior In High Temperature Metal Processing To get started finding Oxide Scale Behavior In High Temperature Metal Processing, you are right to find our website which has a comprehensive collection of books online. Our library is the biggest of these that have literally hundreds of thousands of different products represented. You will also see that there are specific sites catered to different categories or niches related with Oxide Scale Behavior In High Temperature Metal Processing So depending on what exactly you are searching, you will be able to choose ebook to suit your own need. Thank you for reading Oxide Scale Behavior In High Temperature Metal Processing. Maybe you have knowledge that, people have search numerous times for their favorite readings like this Oxide Scale Behavior In High Temperature Metal Processing, but end up in harmful downloads. Rather than reading a good book with a cup of coffee in the afternoon, instead they juggled with some harmful bugs inside their laptop. Oxide Scale Behavior In High Temperature Metal Processing is available in our book collection an online access to it is set as public so you can download it instantly. Our digital library spans in multiple locations, allowing you to get the most less latency time to download any of our books like this one. Merely said, Oxide Scale Behavior In High Temperature Metal Processing is universally compatible with any devices to read.

Find Oxide Scale Behavior In High Temperature Metal Processing :

[small business 61-848 crypto trading software America 61-1689 crypto freelancing online apps for entrepreneurs 61-152 freelancing online apps creators 61-2603 small business ideas examples for small business practices America 61-1149 travel tips best practices America 61-405 61-2732 data science careers best practices USA 61-2793 data science app ideas best practices for small business 61-1227 mobile app ideas 61-1941 data science careers examples for startups 61-316 data science roadmap United States 61-1830 ecommerce trends roadmap for creators startups 61-192 retirement planning for beginners for startups 61-689](#)

[business 61-747 wearable technology best practices for startups 61-2110](#)

monetization software for entrepreneurs 61-1459 blog monetization

[61-1373 stock market for beginners United States 61-1929 stock market](#)

[tools strategies United States 61-844 AI tools strategies for](#)

passive income ideas best practices United States 61-777 passive income

[review America 61-1093 cybersecurity review United States 61-2484](#)

Oxide Scale Behavior In High Temperature Metal Processing :

baliabideen liburua 5 natura zientziak santillana - Mar 14 2023

web natura primaria zientziak baliabideen liburua lehen hezkuntzako 5 mailarako natura zientziak baliabideen liburua zubia editoriala s l ren eta santillana educación s l ren hezkuntza argitalpenetarako sailean joseba santxo uriarte ren eta teresa grence ruiz en zuzendaritzapean sortu taxutu eta gauzaturiko talde lana da

natura zientziak santillana - Jun 17 2023

web natura zientziak lehen hezkuntza 3 liburu hau zubia editorialaren eta santillanaren hezkuntza argitalpenetarako sailean joseba santxo uriarteren eta teresa grence ruizen zuzendaritzapean sortu taxutu eta gauzaturiko talde lana da liburu honen prestatze eta argitaratze lanean honako talde honek esku hartu du raquel de andrés gonzález

natura zientziak santillana - Aug 19 2023

web natura zientziak lehen hezkuntzako 4 mailarako natura zientziak liburua zubia editoriala s l ren eta santillana educación s l ren hezkuntza argitalpenetarako sailean joseba santxo uriarteren eta teresa grence ruizen zuzendaritzapean sortu taxutu eta gauzaturiko talde lana da

natura zientziak santillana uniport edu ng - May 04 2022

web aug 22 2023 natura 5 1989 the crime of galileo giorgio de santillana 1955 galileo s scientific work which led him into a quarrel with the church natura zientziak 4 lehen hezkuntza 2015 natura zientziak 2 lehen hezkuntza 2015 natur zientziak 1990 06 01 natura nova grupo santillana de ediciones s a 1991 06 01

natura zientziak santillana uniport edu ng - Jun 05 2022

web jun 6 2023 natura zientziak santillana 1 3 downloaded from uniport edu ng on june 6 2023 by guest natura zientziak santillana this is likewise one of the factors by obtaining the soft documents of this natura zientziak santillana by online you might not require more grow old to spend to go to the book creation as without difficulty as search for them

[scienza natura acquisti online](#) - Mar 02 2022

web linea scienza natura dall esperienza maturata per le ricerche necessarie per redigere i vari articoli della rivista nascono

le prime formule originali tutte caratterizzate dalla presenza di piante o molecole molto particolari ed innovative ad oggi la gamma scienza natura vanta circa 70 prodotti in gocce

hezkuntza natura lehen zientziak santillana - May 16 2023

web lehen hezkuntzako 3 mailarako natura zientziak liburua zubia editoriala s l ren eta santillana educación s l ren hezkuntza argitalpenetarako sailean joseba santxo uriarte ren eta teresa grence ruiz en zuzendaritzapean sortu taxutu eta gauzaturiko talde lana da liburu honen prestatze eta argitaratze lanean honako talde honek esku hartu du

natura zientziak santillana cyberlab sutd edu sg - Jul 06 2022

web natura zientziak santillana natura zientziak 4 lehen hezkuntza may 30 2022 natur zientziak apr 09 2023 host

bibliographic record for boundwith item barcode 30112044669122 and others apr 28 2022 esperientzi arloa 4 jun 06 2020

gizarte zientziak 3 lehen hezkuntza feb 12 2021

natura zientziak santillana - Apr 15 2023

web natura zientziak lehen hezkuntzako 3 mailarako natura zientziak liburua zubia editoriala s l ren eta santillana educación s l ren hezkuntza argitalpenetarako sailean joseba santxo uriarteren eta teresa grence ruizen zuzendaritzapean sortu taxutu eta gauzaturiko talde lana da

1 hezkuntza lehen natura zientziak santillana - Jul 18 2023

web 1 natura zientziak lehen hezkuntzako 1 mailarako natura zientziak liburua zubia editoriala s l ren eta santillana educación s l ren hezkuntza argitalpenetarako sailean joseba santxo uriarteren eta teresa grence ruizen zuzendaritzapean sortu taxutu eta gauzaturiko talde lana da

pdf 4 lehen natura zientziak santillana lehen - Jan 12 2023

web lehen hezkuntzako 4 mailarako natura zientziak liburua zubia editoriala s l ren eta santillana educación s l ren hezkuntza argitalpenetarako sailean joseba santxo uriarte ren eta teresa grence ruiz en zuzendaritzapean sortu taxutu eta gauzaturiko talde

lehen hezkuntza natura zientziak santillana - Feb 13 2023

web 6 natura zientziak lehen hezkuntzarako 6 mailarako hemen funtsezkoa langai zubia editoriala s l ren eta santillana educación s l ren hezkuntza argitalpenetarako sailean joseba san txo uriarteren eta teresa grence ruizen zuzendaritza pean sortu diseinatu eta gauzaturiko talde lana da

[natura zientziak worksheets and online exercises](#) - Oct 09 2022

web natura zientziak worksheets and online activities free interactive exercises to practice online or download as pdf to print

natura zientziak 3 leh santillana - Sep 20 2023

web qué estás buscando comunidad e vocación contacta con nosotros canal de distribución aula virtual santillana

natur 2º dbh liburua pdf slideshare - Dec 11 2022

web sep 30 2012 832926 0001 0003 qxd 19 4 08 12 37 página 1 natura zientziak 2 dbh dbhko bigarren mailarako natura zientziak liburua zubia santillanaren hezkuntza argitalpenetarako sailean enrique juan redalen eta joseba santxo uriarteren zuzendaritzapean sortu taxutu eta gauzaturiko talde lana da

natura zientziak santillana orientation sutd edu sg - Sep 08 2022

web natura zientziak santillana natura zientziak santillana biblioteca de la universidad de navarra universidad de universidade da coruña biblioteca universitaria biblioteca gt presentación universidad de granada libro wikipedia la enciclopedia libre portada biblioteca ulpgc biblioteca de la universidad de navarra universidad de

natura zientziak santillana uniport edu ng - Apr 03 2022

web aug 10 2023 natura zientziak santillana 1 1 downloaded from uniport edu ng on august 10 2023 by guest natura zientziak santillana when somebody should go to the book stores search foundation by shop shelf by shelf it is in fact problematic this is why we allow the books compilations in this website it will enormously ease you to

[natura zientziak santillana orientation sutd edu sg](#) - Aug 07 2022

web natura zientziak santillana biblioteca de la universidad de navarra universidad de may 5th 2018 web del servicio de bibliotecas de la universidad de navarra con los horarios ubicación bases de datos revistas y todos los recursos que ofrece la biblioteca a

[pdf natura zientziak back edupack santillana es](#) - Nov 10 2022

web natura zientziak lehen hezkuntzako 5 mailarako natura zientziak liburua zubia editoriala s l ren eta santillana educación s l ren hezkuntza argitalpenetarako

[natura zientziak santillana](#) - Oct 21 2023

web natura zientziak 5 liburu hau zubia editorialaren eta santillanaren hezkuntza argitalpenetarako sailean joseba santxo uriarteren eta teresa grence ruizen zuzendaritzapean sortu taxutu eta gauzaturiko talde lana da liburu honen prestatze eta argitaratze lanean honako talde honek esku hartu du teestua

results for playwriting template tpt - May 30 2022

web this is a professional standard playwriting template for use in microsoft and helpful vocabulary to your middle and high school students on theatre vocabulary list 5 playwriting you will find 12 beginner vertical format each template contains a space for a title plus anywhere from 4 to 12 boxes per page some pages contain boxes

5 great playwriting exercises for middle high school students - Apr 09 2023

web 5 great playwriting exercises for middle high school students enjoy some of our most popular playwriting exercises for aspiring writers in middle and high school every exercise comes with a free pdf download of the exercise or handout to use in

the classroom 1 hurdling the first line playwriting exercise

writing aloud staging plays for active learning edutopia - Mar 08 2023

web aug 6 2008 centerstage in baltimore has a free downloadable twenty six page handbook titled teaching playwriting in schools which offers ideas on how to use playwriting across the curriculum and how to address common problems found in [playwriting format template for middle school ai classmonitor](#) - Mar 28 2022

web 2 playwriting format template for middle school 2023 07 05 developing subjects for young people through the use of both practical and critical advice from playwrights on all aspects of new play development a more perfect ten macmillan provides practical knowledge for new and inexperienced playwrights

[free script writing template ela twinkl usa twinkl](#) - Feb 07 2023

web use this simple writing a script template to inspire your students to write a play this resource allows your kids to be creative while also honing their writing skills and understanding of writing in different forms

scriptwriting lesson plan edutopia - Sep 14 2023

web objectives the students will understand the difference between narrative writing and dialogue the students will participate in and learn about a four stage process of writing a play the students will demonstrate an understanding of the concepts of beginning middle end and obstacles the students will explore character qualities

playwriting format template for middle school full pdf - Feb 24 2022

web playwriting format template for middle school 3 3 the context from which work emerged an introduction considers life in the decade with a focus on domestic life and conditions social changes culture media technology industry and political events while a chapter on the theatre of

the standard stage play format the cary playwrights - Oct 15 2023

web use 8 5 x 11 white paper typed or printed on one side only using black ink standard copier paper is acceptable font courier 12 point no exceptions you ll quickly discover that standard play formatting is stubbornly rooted in

playwriting template google docs version professional tpt - Aug 01 2022

web this document contains a link to a google docs version of the professional playwriting manuscript format this can be used by professionals higher educational students and secondary grade levels the link will take you to a page that forces you to create a copy of the google doc which will then

[playwriting format template for middle school](#) - Jun 30 2022

web playwriting format template for middle school playwriting 101 lyrics and stage direction element may 3rd 2018 chapter 13 lyrics if you re if there is spoken dialogue in the middle of a song a format for stage directions is included with all script formatting how to format your script playwrights center

simple guide to playwriting format play script format - Jun 11 2023

web nov 11 2019 there are a ton of different schools of thought when it comes to play formatting but there is no need to re invent the wheel for playwrights just starting out we recommend downloading nycplaywrights microsoft word template which has already taken care of the formatting for you so you can get down to writing

5 steps to using playwriting in middle school edutopia - Jul 12 2023

web jun 14 2022 5 steps to using playwriting in middle school having students collaborate on writing a play is a hands on way to unlock creativity while reinforcing concepts and skills in language arts and other classes by carly van der wende june 14 2022 vgajic istock

how to write a play script format explained with examples - Sep 02 2022

web may 29 2022 we re going to show you everything you need to know about play script format with all the tools and templates you ll need to get started but first let s review the terms watch anatomy of a screenplay ultimate guide

writing a play script everything you need to know nfi - Nov 04 2022

web follow these formatting rules when writing a play script center act and scene headings center and capitalize your characters names before each line of dialogue capitalize your characters names in action lines indent and italicize stage directions here is a brief example of a play script act one scene one midwestern high school

general sfi formatting guidelines dramatists guild - Jan 06 2023

web standard format the text of the play should be in standard play format which looks professional makes reading easy and provides our readers with an estimation of run time if you are using screenwriting software please note that its default settings are not necessarily standard play format basics

free downloadable script formats for plays and musicals - Aug 13 2023

web below you ll find a handful of examples of the most commonly used formats for play scripts we also provide samples of how to format your title page as well as preparing a resume and cover letter for submission opportunities the formats provided are guidelines not requirements a few additional elements to consider 1

standard playwriting format writopia lab - May 10 2023

web please follow these standard formatting rules act and scene headings are centered character s names are centered and capitalized stage directions are indented one tab and italicized character s names in stage directions are capitalized parenthetical stage directions are used for small actions act one

results for playwriting middle school tpt - Apr 28 2022

web need to get your students to wrap their heads about basic script writing conventions try this this is a fun way to teach script format when teaching playwriting to middle school or even high school

play script format elements study com - Oct 03 2022

web dec 1 2021 explore the play script format find the elements of a theatre script format and learn the basic guidelines and strategies for writing the script of a play with examples updated 12 01 2021

[how to format your script playwrights center](#) - Dec 05 2022

web dec 8 2014 create these four styles via the styles function in ms word then paste in your raw text go through the entire script in ms word and apply the styles line by line to cut down on time i special paste my raw text into the dialog style this way i m

[les incontournables du haut doubs malbuisson les lacs](#) - Mar 10 2023

web domaines alpins à proximité paysages d hiver office de tourisme de malbuisson les 2 lacs69 grande rue 25160 malbuisson tél 33 0 3 81 69 31 21 malbuisson destination hautdoubs com espace presse

haut doubs actualités et infos en direct faits divers météo - Jun 01 2022

web suivez en temps réel tout l actualité de haut doubs les faits divers le sport la météo l économie les loisirs et bien plus encore avec france 3 bourgogne franche comté

les 14 choses incontournables à faire dans le doubs - Sep 04 2022

web aug 26 2020 situé à la frontière de la suisse le doubs appartient à la région historique de franche comté avec le jura et la haute saône il abrite notamment la capitale de la région besançon qui a traversé les millénaires vous vous demandez que faire dans le doubs voici les incontournables

les plus beaux sites à découvrir le haut doubs doubs - May 12 2023

web la culture dans le haut doubs les curiosités sont nombreuses dans le haut doubs églises maisons vigneronnes ponts anciens fermes chapelles maisons à encorbellement fontaines châteaux le pays abrite l abbaye de montbenoît la

les incontournables du haut doubs val de mouthe - Nov 06 2022

web accueil val de mouthe chapelle des bois détente et visites les incontournables du haut doubs a visiter pour prendre soin de soi les incontournables du haut doubs partager imprimer

[hautdoubsnature facebook](#) - Jan 28 2022

web hautdoubsnature montperreux 7 520 likes 1 059 talking about this photographe de la faune sauvage du haut doubs *loisirs quelques idées de sorties dans le haut doubs pour le* - Dec 27 2021

web 7 hours ago loisirs quelques idées de sorties dans le haut doubs pour le week end du 16 et 17 septembre les activités ne manquent pas dans le haut doubs en ce week end des 16 et 17 septembre pour

[haut doubs wikipédia](#) - Aug 15 2023

web le haut doubs est une région naturelle de france qui correspond à la partie montagneuse du département du doubs en

bourgogne franche comté dans le massif du jura le long de la frontière suisse avec pour point culminant le mont d'or à 1 463 m

[les incontournables du haut doubs office de tourisme de](#) - Feb 09 2023

web station de metabief accueil station de metabief découvertes et détente les incontournables du haut doubs sites à visiter prendre soin de soi activités en intérieur contempler

[le haut doubs doubs franche comté carte touristique](#) - Jun 13 2023

web la nature dans le haut doubs entre haut doubs forestier et haut doubs horloger cette région de moyennes montagnes frontalière avec la suisse à de quoi séduire les grands espaces verts sont jalonnés de grosses fermes montagnardes typiques **top 20 randonnées et balades autour du doubs komoot** - Aug 03 2022

web le doubs également surnommée petite sibérie ou petit canada est un authentique territoire de randonnées ces petits surnoms lui sont naturellement donnés pour l'étendue et la variété de ses espaces naturels lacs rivières forêts plaines petites montagnes canyons cirques mais également pour ses hivers blancs

[doubs wikipedia](#) - Jan 08 2023

web doubs d u: doo french i arpitan dubs is a department in the bourgogne franche comté region in eastern france named after the river doubs it had a population of 543 974 in 2019 its prefecture is besançon and subprefectures are

[portail du haut doubs et de pontarlier franche comté montagnes du](#) - Oct 05 2022

web découvrez le haut doubs territoire de rencontre de l'innovation et du bien être Ã travers le site portail du haut doubs animé par le comite de bassin d'emploi

quoi faire dans le haut doubs en hiver vents voyages - Jul 02 2022

web apr 20 2023 le saut du doubs si tu n'as pas beaucoup de temps à consacrer à la découverte du haut doubs alors un conseil fonce à villers le lac voir le saut du doubs cette cascade emblématique du doubs sûrement la plus touristique est sublime en hiver

les 10 meilleures choses à faire à doubs 2023 avec photos - Mar 30 2022

web les 10 meilleures choses à faire à doubs doubs les meilleures activités indiquez vos dates filtres attractions favoris des voyageurs types de catégorie attractions visites guidées excursions d'une journée activités de plein air concerts et spectacles restauration Événements shopping transports ressources touristiques types d'activités

48 h dans le haut doubs en été doubs montagnes du jura - Dec 07 2022

web montagnard jusqu'au bout des aiguilles de sapins le haut doubs concentre toutes les possibilités de loisirs nature haut lieu nautique avec le lac de saint point troisième lac naturel de france metabief station classée vélo rando luge d'été parcours aventure le disputent à un patrimoine exceptionnel et un terroir de renom

destination haut doubs facebook - Feb 26 2022

web destination haut doubs métabief 8 003 likes 24 talking about this page officielle de l office de tourisme du pays du haut doubs

le top 20 des incontournables du doubs - Apr 30 2022

web le top 20 des incontournables du doubs avec deux sites unesco une belle collection de grands musées des parcs pas comme les autres des haut lieux du terroir et de la découverte le doubs se décline en 20 incontournables plebiscités par nos visiteurs

10 lieux de balades incontournables dans le haut doubs - Apr 11 2023

web jun 23 2017 voici un aperçu des lieux dans lesquels nous partirons en balade le saut du doubs le tuyé du papy gaby le lac saint point les caves d affinage du fort saint antoine le mont d or le conifer le parc polaire de chaux neuve la source de la loue le gouffre de poudrey a vendredi prochain pour notre première visite

accueil destination haut doubs - Jul 14 2023

web le haut doubs au coeur des montagnes du jura découvrez ses destinations pontarlier métabief malbuisson les fourgs et donnez libre court à vos passions neige activités tradition nature