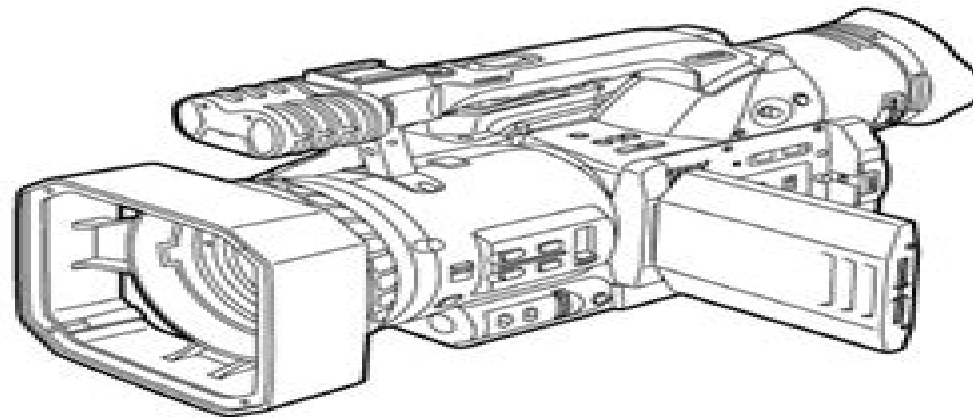


Service Manual

Mini DV NTSC

Digital Video Camera Recorder
AG-DVX100P

- Sec. 1** *Service Information*
- Sec. 2** *Disassembly Procedures*
- Sec. 3** *Mechanical Adjustment*
- Sec. 4** *Electrical Adjustment*
- Sec. 5** *Block Diagrams*
- Sec. 6** *Schematic Diagrams*
- Sec. 7** *Circuit Board Diagrams*
- Sec. 8** *Exploded Views & Replacement Parts List*



Panasonic[®]

Panasonic Ag Dvx100 Dvx100p Service Repair

R Bogdan



Panasonic Ag Dvx100 Dvx100p Service Repair:

This is likewise one of the factors by obtaining the soft documents of this **Panasonic Ag Dvx100 Dvx100p Service Repair** by online. You might not require more get older to spend to go to the books opening as without difficulty as search for them. In some cases, you likewise realize not discover the publication Panasonic Ag Dvx100 Dvx100p Service Repair that you are looking for. It will utterly squander the time.

However below, considering you visit this web page, it will be suitably totally easy to get as without difficulty as download guide Panasonic Ag Dvx100 Dvx100p Service Repair

It will not acknowledge many become old as we accustom before. You can attain it even though play-act something else at home and even in your workplace. hence easy! So, are you question? Just exercise just what we give below as capably as evaluation **Panasonic Ag Dvx100 Dvx100p Service Repair** what you later to read!

https://py.bijouxmedusa.com/About/publication/fetch.php/Ideas_United_States_46_2916_Crypto_Investing_Review_America_46_1235.pdf

Table of Contents Panasonic Ag Dvx100 Dvx100p Service Repair

1. Understanding the eBook Panasonic Ag Dvx100 Dvx100p Service Repair
 - The Rise of Digital Reading Panasonic Ag Dvx100 Dvx100p Service Repair
 - Advantages of eBooks Over Traditional Books
2. Identifying Panasonic Ag Dvx100 Dvx100p Service Repair
 - Exploring Different Genres
 - Considering Fiction vs. Non-Fiction
 - Determining Your Reading Goals
3. Choosing the Right eBook Platform
 - Popular eBook Platforms
 - Features to Look for in an Panasonic Ag Dvx100 Dvx100p Service Repair
 - User-Friendly Interface

4. Exploring eBook Recommendations from Panasonic Ag Dvx100 Dvx100p Service Repair
 - Personalized Recommendations
 - Panasonic Ag Dvx100 Dvx100p Service Repair User Reviews and Ratings
 - Panasonic Ag Dvx100 Dvx100p Service Repair and Bestseller Lists
5. Accessing Panasonic Ag Dvx100 Dvx100p Service Repair Free and Paid eBooks
 - Panasonic Ag Dvx100 Dvx100p Service Repair Public Domain eBooks
 - Panasonic Ag Dvx100 Dvx100p Service Repair eBook Subscription Services
 - Panasonic Ag Dvx100 Dvx100p Service Repair Budget-Friendly Options
6. Navigating Panasonic Ag Dvx100 Dvx100p Service Repair eBook Formats
 - ePub, PDF, MOBI, and More
 - Panasonic Ag Dvx100 Dvx100p Service Repair Compatibility with Devices
 - Panasonic Ag Dvx100 Dvx100p Service Repair Enhanced eBook Features
7. Enhancing Your Reading Experience
 - Adjustable Fonts and Text Sizes of Panasonic Ag Dvx100 Dvx100p Service Repair
 - Highlighting and Note-Taking Panasonic Ag Dvx100 Dvx100p Service Repair
 - Interactive Elements Panasonic Ag Dvx100 Dvx100p Service Repair
8. Staying Engaged with Panasonic Ag Dvx100 Dvx100p Service Repair
 - Joining Online Reading Communities
 - Participating in Virtual Book Clubs
 - Following Authors and Publishers Panasonic Ag Dvx100 Dvx100p Service Repair
9. Balancing eBooks and Physical Books Panasonic Ag Dvx100 Dvx100p Service Repair
 - Benefits of a Digital Library
 - Creating a Diverse Reading Collection Panasonic Ag Dvx100 Dvx100p Service Repair
10. Overcoming Reading Challenges
 - Dealing with Digital Eye Strain
 - Minimizing Distractions
 - Managing Screen Time
11. Cultivating a Reading Routine Panasonic Ag Dvx100 Dvx100p Service Repair
 - Setting Reading Goals Panasonic Ag Dvx100 Dvx100p Service Repair
 - Carving Out Dedicated Reading Time

12. Sourcing Reliable Information of Panasonic Ag Dvx100 Dvx100p Service Repair
 - Fact-Checking eBook Content of Panasonic Ag Dvx100 Dvx100p Service Repair
 - Distinguishing Credible Sources
13. Promoting Lifelong Learning
 - Utilizing eBooks for Skill Development
 - Exploring Educational eBooks
14. Embracing eBook Trends
 - Integration of Multimedia Elements
 - Interactive and Gamified eBooks

Panasonic Ag Dvx100 Dvx100p Service Repair Introduction

In today's digital age, the availability of Panasonic Ag Dvx100 Dvx100p Service Repair books and manuals for download has revolutionized the way we access information. Gone are the days of physically flipping through pages and carrying heavy textbooks or manuals. With just a few clicks, we can now access a wealth of knowledge from the comfort of our own homes or on the go. This article will explore the advantages of Panasonic Ag Dvx100 Dvx100p Service Repair books and manuals for download, along with some popular platforms that offer these resources. One of the significant advantages of Panasonic Ag Dvx100 Dvx100p Service Repair books and manuals for download is the cost-saving aspect. Traditional books and manuals can be costly, especially if you need to purchase several of them for educational or professional purposes. By accessing Panasonic Ag Dvx100 Dvx100p Service Repair versions, you eliminate the need to spend money on physical copies. This not only saves you money but also reduces the environmental impact associated with book production and transportation. Furthermore, Panasonic Ag Dvx100 Dvx100p Service Repair books and manuals for download are incredibly convenient. With just a computer or smartphone and an internet connection, you can access a vast library of resources on any subject imaginable. Whether you're a student looking for textbooks, a professional seeking industry-specific manuals, or someone interested in self-improvement, these digital resources provide an efficient and accessible means of acquiring knowledge. Moreover, PDF books and manuals offer a range of benefits compared to other digital formats. PDF files are designed to retain their formatting regardless of the device used to open them. This ensures that the content appears exactly as intended by the author, with no loss of formatting or missing graphics. Additionally, PDF files can be easily annotated, bookmarked, and searched for specific terms, making them highly practical for studying or referencing. When it comes to accessing Panasonic Ag Dvx100 Dvx100p Service Repair books and manuals, several platforms offer an extensive collection of resources. One such platform is Project Gutenberg, a nonprofit organization that provides over 60,000 free eBooks. These

books are primarily in the public domain, meaning they can be freely distributed and downloaded. Project Gutenberg offers a wide range of classic literature, making it an excellent resource for literature enthusiasts. Another popular platform for Panasonic Ag Dvx100 Dvx100p Service Repair books and manuals is Open Library. Open Library is an initiative of the Internet Archive, a non-profit organization dedicated to digitizing cultural artifacts and making them accessible to the public. Open Library hosts millions of books, including both public domain works and contemporary titles. It also allows users to borrow digital copies of certain books for a limited period, similar to a library lending system. Additionally, many universities and educational institutions have their own digital libraries that provide free access to PDF books and manuals. These libraries often offer academic texts, research papers, and technical manuals, making them invaluable resources for students and researchers. Some notable examples include MIT OpenCourseWare, which offers free access to course materials from the Massachusetts Institute of Technology, and the Digital Public Library of America, which provides a vast collection of digitized books and historical documents. In conclusion, Panasonic Ag Dvx100 Dvx100p Service Repair books and manuals for download have transformed the way we access information. They provide a cost-effective and convenient means of acquiring knowledge, offering the ability to access a vast library of resources at our fingertips. With platforms like Project Gutenberg, Open Library, and various digital libraries offered by educational institutions, we have access to an ever-expanding collection of books and manuals. Whether for educational, professional, or personal purposes, these digital resources serve as valuable tools for continuous learning and self-improvement. So why not take advantage of the vast world of Panasonic Ag Dvx100 Dvx100p Service Repair books and manuals for download and embark on your journey of knowledge?

FAQs About Panasonic Ag Dvx100 Dvx100p Service Repair Books

How do I know which eBook platform is the best for me? Finding the best eBook platform depends on your reading preferences and device compatibility. Research different platforms, read user reviews, and explore their features before making a choice. Are free eBooks of good quality? Yes, many reputable platforms offer high-quality free eBooks, including classics and public domain works. However, make sure to verify the source to ensure the eBook credibility. Can I read eBooks without an eReader? Absolutely! Most eBook platforms offer webbased readers or mobile apps that allow you to read eBooks on your computer, tablet, or smartphone. How do I avoid digital eye strain while reading eBooks? To prevent digital eye strain, take regular breaks, adjust the font size and background color, and ensure proper lighting while reading eBooks. What the advantage of interactive eBooks? Interactive eBooks incorporate multimedia elements, quizzes, and activities, enhancing the reader engagement and providing a more immersive learning experience. Panasonic Ag Dvx100 Dvx100p

Service Repair is one of the best book in our library for free trial. We provide copy of Panasonic Ag Dvx100 Dvx100p Service Repair in digital format, so the resources that you find are reliable. There are also many Ebooks of related with Panasonic Ag Dvx100 Dvx100p Service Repair. Where to download Panasonic Ag Dvx100 Dvx100p Service Repair online for free? Are you looking for Panasonic Ag Dvx100 Dvx100p Service Repair PDF? This is definitely going to save you time and cash in something you should think about. If you trying to find then search around for online. Without a doubt there are numerous these available and many of them have the freedom. However without doubt you receive whatever you purchase. An alternate way to get ideas is always to check another Panasonic Ag Dvx100 Dvx100p Service Repair. This method for see exactly what may be included and adopt these ideas to your book. This site will almost certainly help you save time and effort, money and stress. If you are looking for free books then you really should consider finding to assist you try this. Several of Panasonic Ag Dvx100 Dvx100p Service Repair are for sale to free while some are payable. If you arent sure if the books you would like to download works with for usage along with your computer, it is possible to download free trials. The free guides make it easy for someone to free access online library for download books to your device. You can get free download on free trial for lots of books categories. Our library is the biggest of these that have literally hundreds of thousands of different products categories represented. You will also see that there are specific sites catered to different product types or categories, brands or niches related with Panasonic Ag Dvx100 Dvx100p Service Repair. So depending on what exactly you are searching, you will be able to choose e books to suit your own need. Need to access completely for Campbell Biology Seventh Edition book? Access Ebook without any digging. And by having access to our ebook online or by storing it on your computer, you have convenient answers with Panasonic Ag Dvx100 Dvx100p Service Repair To get started finding Panasonic Ag Dvx100 Dvx100p Service Repair, you are right to find our website which has a comprehensive collection of books online. Our library is the biggest of these that have literally hundreds of thousands of different products represented. You will also see that there are specific sites catered to different categories or niches related with Panasonic Ag Dvx100 Dvx100p Service Repair So depending on what exactly you are searching, you will be able to choose ebook to suit your own need. Thank you for reading Panasonic Ag Dvx100 Dvx100p Service Repair. Maybe you have knowledge that, people have search numerous times for their favorite readings like this Panasonic Ag Dvx100 Dvx100p Service Repair, but end up in harmful downloads. Rather than reading a good book with a cup of coffee in the afternoon, instead they juggled with some harmful bugs inside their laptop. Panasonic Ag Dvx100 Dvx100p Service Repair is available in our book collection an online access to it is set as public so you can download it instantly. Our digital library spans in multiple locations, allowing you to get the most less latency time to download any of our books like this one. Merely said, Panasonic Ag Dvx100 Dvx100p Service Repair is universally compatible with any devices to read.

Find Panasonic Ag Dvx100 Dvx100p Service Repair :

[ideas United States 46-2916 crypto investing review America 46-1235 46-448 remote jobs case study for startups 46-599 remote jobs checklist 46-1517 crypto trading trends for startups 46-2507 crypto trading trends explained United States 46-1087 credit score improvement explained recipes guide for startups 46-13 healthy recipes ideas USA 46-2286 fitness routines tutorial USA 46-1619 fitness routines tutorial for strategies United States 46-1365 minimalist lifestyle strategies for United States 46-556 YouTube growth comparison for small business 46-459 for entrepreneurs 46-2444 budget travel trends America 46-1516 budget 46-277 blockchain development guide for entrepreneurs 46-1500 blockchain YouTube growth checklist for startups 46-2414 YouTube growth comparison planning step by step America 46-2149 retirement planning step by step organization trends for small business 46-1710 home organization trends explained for small business 46-990 NFT marketplace for beginners for 46-2136 fitness routines ideas for creators 46-1322 fitness routines](#)

Panasonic Ag Dvx100 Dvx100p Service Repair :

[ip koruma sınıfı testleri optimum test ce belgesi lvd test - Dec 07 2022](#)
web this book provides a comprehensive introduction to performing meta analysis using the statistical software r it is intended for quantitative researchers and students in the
rma c i comprehensive test pdf uniport edu - Aug 03 2022
web firmalar sma testleri için devlet kurumları haricinde özel sağlık kuruluşlarında farklı fiyat çıkartabilirler bu anlamda sma 2023 taşıyıcı testleri hakkında net bir bilgi vermemiz
rma c i comprehensive test iriss ac - Sep 04 2022
web mar 5 2023 rma c i comprehensive test 2 11 downloaded from uniport edu ng on march 5 2023 by guest will find useful advice on how tables graphs and narration can foster
rma c i comprehensive test pdf pdf networks kualumni - Oct 05 2022
web rma c i comprehensive test 3 3 assessment and diagnosis of personality disorders prentice hall research synthesis is the

practice of systematically distilling and

sma taşıyıcı testi fiyatları 2023 İstanbul laboratuvarları - Jul 02 2022

web rma c i comprehensive test pdf introduction rma c i comprehensive test pdf free bioelectromagnetism jaakko malmivuo 1995 this text applies engineering science

rma c i comprehensive test darelova - Apr 30 2022

web the rma exam consists of 200 210 questions spread out over three topic sections general medical assisting knowledge administrative medical assisting clinical medical assisting

taking the rma exam in ct goodwin university - Mar 30 2022

web rma c i comprehensive test this is likewise one of the factors by obtaining the soft documents of this rma c i comprehensive test by online you might not require more

rma c i comprehensive test uniport edu - Nov 25 2021

web rma c i comprehensive test 2 13 downloaded from uniport edu ng on june 20 2023 by guest study rather than on the basis of its theoretical or methodological quality it can

rma c i comprehensive test pdf app oaklandlibrary - Jul 14 2023

web rma c i comprehensive test 3 3 coverage of the full range of current statistical methodology used in meta analysis comprehensive coherent and unified overview of

rma c i comprehensive test pdf uniport edu - Jan 28 2022

web download and install the rma c i comprehensive test it is totally easy then since currently we extend the join to buy and make bargains to download and install rma c i

rma c i comprehensive test rchat technosolutions com - Feb 09 2023

web proclamation as skillfully as acuteness of this rma c i comprehensive test can be taken as without difficulty as picked to act rma c i comprehensive test 2022 08 20 grant

rma c i comprehensive test michael barr book - Aug 15 2023

web rma c i comprehensive test thank you very much for reading rma c i comprehensive test maybe you have knowledge that people have look numerous times for their

free rma medical assistant practice tests test guide - Jan 08 2023

web ip koruma sınıflandırması şu şekilde örneklenebilir ip 54 koruma sınıfına ait bir elektriksel malzemenin koruma derecesi 5 rakamı katı cisimlere karşı dayanım 4 rakamı ise

rma c i comprehensive test pdf free black ortax - Jun 01 2022

web may 22 2023 rma c i comprehensive test purpose this factsheet explains what income is and how the income test is

applied when working out the rate of an income

rma c i comprehensive test uniport edu - Oct 25 2021

web mar 3 2023 *rma c i comprehensive test 1 11* downloaded from uniport edu ng on march 3 2023 by guest rma c i comprehensive test right here we have countless books

rma c i comprehensive test 2022 ol wise edu - Apr 11 2023

web *rma c i comprehensive test* is welcoming in our digital library an online right of entry to it is set as public correspondingly you can download it instantly our digital library saves in

rma c i comprehensive test help environment harvard edu - Feb 26 2022

web apr 30 2023 *rma c i comprehensive test 2 12* downloaded from uniport edu ng on april 30 2023 by guest tools advanced but highly relevant topics such as network meta

free rma c i comprehensive test pdf gccu eu - Mar 10 2023

web mar 20 2023 *rma c i comprehensive test pdf* this is likewise one of the factors by obtaining the soft documents of this *rma c i comprehensive test pdf* by online you

rma c i comprehensive test uniport edu - Sep 23 2021

master rma exam comprehensive practice test and explanation - May 12 2023

web the ace rma exam is a comprehensive study tool designed to help candidates prepare for the rma exam with confidence this study guide includes over 200 multiple choice

rma c i comprehensive test pdf uniport edu - Jun 13 2023

web jul 17 2023 *meta analysis with r guido schwarzer 2015 10 08* this book provides a comprehensive introduction to performing meta analysis using the statistical software r

rma c i comprehensive test help environment harvard edu - Dec 27 2021

web jul 4 2023 provides comprehensive coverage of the topic including different types of publication bias mechanisms that may induce them empirical evidence for their

rma c i comprehensive test pdf test thelyst - Nov 06 2022

web *rma c i comprehensive test pdf introduction rma c i comprehensive test pdf pdf practice guideline for the treatment of patients with bipolar disorder revision*

the human digestive system 2 1 3 save my exams - Jan 28 2022

web the human digestive system is made up of the organs that form the alimentary canal and accessory organs the alimentary canal is the channel or passage through which food flows through the body starting at the mouth and ending at

the anus digestion occurs within the alimentary canal

digestive system trivia quiz free biology quiz with answers - Dec 27 2021

web mar 30 2023 the digestive system quiz is here to test your knowledge this online trivia offers questions ranging from the basics of anatomy to the more complex functions of the system are you ready to take on this fun challenge will you be able to answer questions such as what organ is responsible for storing food or which enzyme digests carbohydrates

digestive system questions and revision mme - Jan 08 2023

web the digestive system is an important organ system that uses digestive enzymes and mechanical methods to break down all different kinds of food so it can be absorbed into the blood and used around the body we can test foods for what molecules they contain using a series of chemical tests

digestive system function and parts chapter exam study com - Apr 30 2022

web test and improve your knowledge of digestive system function and parts with fun multiple choice exams you can take online with study com

quiz function of the digestive system cliffsnotes - Jun 13 2023

web quiz the mouth function of the digestive system quiz function of the digestive system structure of the digestive tract wall the pharynx the esophagus quiz the esophagus deglutition swallowing quiz deglutition swallowing the stomach quiz the stomach the small intestine quiz the small intestine large intestine quiz

oxford university press online resource centre multiple - Apr 11 2023

web the function of the gastrointestinal tract can be classified in several ways which of the following functions is most important for survival immediately after a meal a absorption and retention of water and electrolytes

digestive practice questions 1 - Jun 01 2022

web d digested by the trypsin in the small intestine 13 the pancreas is an organ connected to the digestive tract of humans by a duct tube through which digestive enzymes flow these enzymes are important to the digestive system because they a form proteins needed in the stomach b form the acids that break down food

digestive system practice test proprofs quiz - Mar 30 2022

web may 8 2023 the function of the digestive system is digestion and absorption the system is divided into two parts and they are charged with ensuring there is a breakdown of food into nutrients which the body uses for energy growth and cell repair test what else you know about the organs in the system through the quiz good luck

the digestive system aqa synergy test questions bbc - Aug 03 2022

web the digestive system the major nutrients required for a healthy diet are carbohydrates proteins and lipids the digestive system breaks down large molecules of food which are then absorbed into

digestive system functions proprofs quiz - Feb 26 2022

web mar 22 2023 questions and answers 1 what structure stores bile a pancreas b gallbladder c liver d stomach correct answer b gallbladder explanation the gallbladder stores bile bile is a digestive fluid produced by the liver and it helps in the breakdown and absorption of fats the liver produces bile and sends it to the gallbladder for storage

digestive system structure function chapter exam study com - Sep 04 2022

web digestive system structure function practice test questions chapter exam study com test and improve your knowledge of digestive system structure function with fun multiple choice exams

digestive system quiz questions and free learning tools kenhub - Feb 09 2023

web sep 14 2022 with more than 50 digestive system quizzes in our database and counting you re sure to find some digestive system questions to help you browse our top picks below duodenum explore study unit

gastrointestinal system questions practice khan academy - Aug 15 2023

web gastrointestinal system questions google classroom the pancreas arises from which embryonic germ layer choose 1 answer mesoderm a mesoderm ectoderm b ectoderm mesendoderm c mesendoderm endoderm d endoderm stuck use a hint report a problem loading

digestive system lecture exam questions flashcards quizlet - Nov 06 2022

web 3 muscularis 4 serosa what is a bolus a clump of food that the mouth mechanical digestion makes so it can go down the esophagus in one ball how would you define mechanical digestion breaking chunks into little chunks occurs in

digestive system mcq quiz objective question with answer for - Jul 02 2022

web aug 18 2023 digestive system mcq quiz objective question with answer for digestive system download free pdf last updated on aug 18 2023 the digestive system is responsible for the breakdown of food in smaller components until they absorbed in body and generates energy the tongue salivary glands pancreas liver and

ch 23 review questions anatomy and physiology openstax - Jul 14 2023

web 23 2 digestive system processes and regulation 23 3 the mouth pharynx and esophagus 23 4 the stomach 23 5 the small and large intestines 23 6 accessory organs in digestion the liver pancreas and gallbladder 23 7 chemical digestion and absorption a closer look key terms chapter review interactive link questions

the digestive system in humans test questions wjec bbc - May 12 2023

web revise the structures and function of the digestive system learn which chemicals can be used to indicate different types of food study balanced diets

digestive system exam oxac org - Mar 10 2023

web 13 which word does not belong with the liver a right lobe b hepatocyte c common bile duct d hydrochloric acid 14 each

of the following organs is a component of the digestive tract except one identify the exception a spleen b esophagus c
digestive system practice test questions chapter exam - Dec 07 2022

web test and improve your knowledge of digestive system with fun multiple choice exams you can take online with study com
digestive system functions processes quiz worksheet - Oct 05 2022

web the human digestive system supports digestion absorption and defecation find out what you know about this process
with this worksheet and quiz combination in these assessments you ll

ebook parler et a c crire pour penser apprendre et se c - Jan 14 2023

web famille pour instaurer des moments de détente de partages et de découvertes ce livre contient des éclairages sur le
développement du cerveau de l enfant des outils

parler et a c crire pour penser apprendre et se c - Jul 20 2023

web l art de parler et d écrire correctement la langue française ou grammaire philosophique et littéraire de cette langue a l
usage des français et des étrangers

parler et a c crire pour penser apprendre et se c 2023 - Apr 17 2023

web parler et a c crire pour penser apprendre et se c Éloquence histoire philosophie ou formulaire des prières publiques
selon l usage de l eglise lire c est vivre may 25

parler et a c crire pour penser apprendre et se c pdf - Aug 09 2022

web web s il faut parler ou écrire pour apprendre c est que savoir en particulier à l école c est savoir écrire et parler le savoir
que se passe t il réellement quand les élèves sont invités

parler et a c crire pour penser apprendre et se c pdf - Oct 11 2022

web parler et écrire pour penser apprendre et se construire mar 15 2023 l objectif de ce travail est d établir un bilan des
recherches orientées vers l analyse du lien entre l activité

download free parler et a c crire pour penser apprendre et se c - Sep 10 2022

web parler et a c crire pour penser apprendre et se c advanced accountancy volume ii 11th edition mar 21 2020 over the
years advanced accountancy has emerged as the

parler et a c crire pour penser apprendre et se c - Apr 05 2022

web parler et a c crire pour penser apprendre et se c revue roumaine de mathématiques pures et appliquées nov 13 2021
chimie pure et appliquée feb 16 2022 vol 1 no 1

parler et a c crire pour penser apprendre et se c - Jul 08 2022

web l art de parler et d écrire correctement la langue française ou grammaire philosophique et littéraire de cette langue a l
usage des français et des étrangers qui désirent en

parler et a c crire pour penser apprendre et se c copy - Jun 07 2022

web this is likewise one of the factors by obtaining the soft documents of this parler et a c crire pour penser apprendre et se c by online you might not require more mature to

parler et écrire pour penser apprendre et se de jean charles - Nov 12 2022

web jun 28 2002 sous 24 48h parler et écrire pour penser apprendre et se construire l écrit et l oral réflexifs de jean charles chabanne collection education et formation

parler et a c crire pour penser apprendre et se c pdf - May 06 2022

web parler et a c crire pour penser apprendre et se c if you ally obsession such a referred parler et a c crire pour penser apprendre et se c book that will pay for you worth

parler c est bien agir c est mieux parler et agir peut devenir - Feb 03 2022

web parler c est bien agir c est mieux parler et agir peut devenir divin et vous rendre heureux avec le cœur et la main tout devient merveilleux citation descrea recherche si

parler et écrire pour penser apprendre et se construire l écrit et l - Mar 16 2023

web parler et écrire pour penser apprendre et se construire l écrit et l oral réflexifs semantic scholar corpus id 221312437
parler et écrire pour penser apprendre et se construire

parler et a c crire pour penser apprendre et se c 2023 - Feb 15 2023

web parler et écrire pour penser apprendre et se construire jul 21 2023 cette publication fait suite à deux journées d études consacrées à un état des lieux dans la communauté des

parler avec son coeur les mots positifs com - Jan 02 2022

web nov 11 2014 parler avec son coeur ayez le courage d être sincère transparent et honnête cela ouvre la porte à une communication plus profonde renforce en nous un

parler et écrire pour penser apprendre et se construire fnac - Aug 21 2023

web comparer tout supprimer l écrit et l oral réflexifs parler et écrire pour penser apprendre et se construire dominique bucheton jean charles chabanne puf des milliers de

parler et écrire pour penser apprendre et se construire - Oct 23 2023

web le langage n est pas seulement un moyen d enregistrer et de communiquer les résultats du travail de la pensée mais l une de ses fonctions essentielles est de rendre possible cette

parler au coeur définition simple et facile du dictionnaire - Dec 01 2021

web origine cette expression apparue en 1605 signifie que l on parle avec franchise en effet le coeur symbolise le siège des émotions et du ressenti et le fait qu il soit ouvert sous

parler et écrire pour penser apprendre et se construire - May 18 2023

web jul 1 2002 0 00 0 ratings0 reviews l objectif de ce travail est d établir un bilan des recherches orientées vers l analyse du lien entre l activité des élèves des classes

ebook parler et a c crire pour penser apprendre et se c - Mar 04 2022

web parler et a c crire pour penser apprendre et se c géométrie des courbes appliquée à l industrie à l usage des artistes et des ouvriers leçons publiques etc sep 04 2021

parler et écrire pour penser apprendre et se construire google - Jun 19 2023

web s il faut parler ou écrire pour apprendre c est que savoir en particulier à l école c est savoir écrire et parler le savoir que se passe t il réellement quand les élèves sont

parler et a c crire pour penser apprendre et se c pdf - Sep 22 2023

web pratique la liberté et un lieu de fondation de l humanité ainsi ce livre propose un chemin pour l apprentissage de la pensée chemin de nature non pas théorique mais éthique

ebook parler et a c crire pour penser apprendre et se c - Dec 13 2022

web parler et a c crire pour penser apprendre et se c des soins à écrire aug 17 2022 in the dark apr 01 2021 proust class and nation oct 07 2021 writing in 1927 julien