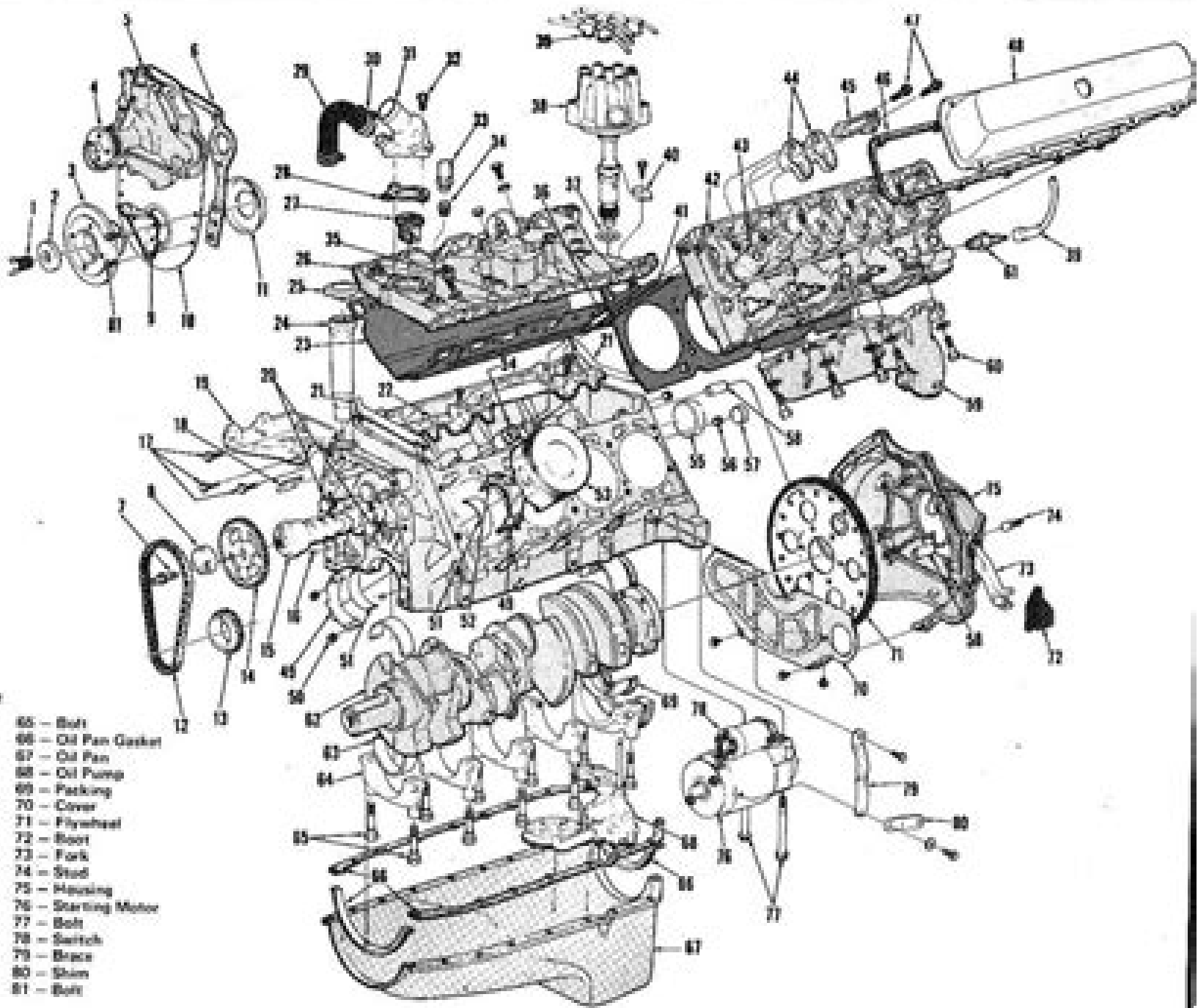


- 1 - Ballbearing
- 2 - Nut
- 3 - Water Pump
- 4 - Gasket
- 5 - Bolt
- 6 - Eccentric
- 7 - Indicator
- 10 - Cover
- 11 - Slinger
- 12 - Timing Chain
- 13 - Gear, Crankshaft
- 14 - Gear, Camshaft
- 15 - Camshaft
- 16 - Pin
- 17 - Bolt
- 18 - Nut
- 19 - Bracket
- 20 - Plug
- 21 - Seal
- 22 - Nut
- 23 - Gasket
- 24 - Tube
- 25 - Cap
- 26 - Intake Manifold
- 27 - Thermostat
- 28 - Gasket
- 29 - Hose
- 30 - Clamp
- 31 - Outlet
- 32 - Bolt
- 33 - Switch
- 34 - Plug
- 35 - Bolt
- 36 - Push Rod
- 37 - Gasket
- 38 - Distributor
- 39 - Wire
- 40 - Clamp
- 41 - Head Gasket
- 42 - Head
- 43 - Spring
- 44 - Rocker Arm
- 45 - Push Rod Pin
- 46 - Valve Cover Gasket
- 47 - Bolt
- 48 - Cover
- 49 - Connecting Rod
- 50 - Nut
- 51 - Bearing
- 52 - Bolt
- 53 - Piston & Pin
- 54 - Valve Lifter
- 55 - Plug
- 56 - Plug
- 57 - Plug
- 58 - Pin
- 59 - Exhaust Manifold
- 60 - Bolt
- 61 - Spark Plug
- 62 - Crankshaft
- 63 - Bearing
- 64 - Cap
- 65 - Bolt
- 66 - Oil Pan Gasket
- 67 - Oil Pan
- 68 - Oil Pump
- 69 - Packing
- 70 - Cover
- 71 - Flywheel
- 72 - Bolt
- 73 - Fork
- 74 - Stud
- 75 - Housing
- 76 - Starting Motor
- 77 - Bolt
- 78 - Switch
- 79 - Brace
- 80 - Shim
- 81 - Bolt



Defender V8 Engine Diagram

Ron Ceridono



Defender V8 Engine Diagram:

Autocar ,2002 **F & S Index Europe Annual** ,1995 *Popular Science* ,2002-12 Popular Science gives our readers the information and tools to improve their technology and their world The core belief that Popular Science and our readers share The future is going to be better and science and technology are the driving forces that will help make it better *How to Rebuild Ford V-8 Engines* Tom Monroe,1993-01-19 If you have one of the 351C 351M 400 429 or 460 Ford V8s this comprehensive book is a must It walks you through a complete engine rebuild step by step with minimum use of special tools Save money by finding out if your engine really needs rebuilding or just simple and inexpensive maintenance Results from diagnosis outlines in this book should be your guide not the odometer All rebuilding steps are illustrated from beginning to end How to inspect parts of damage and wear and to recondition each part yourself to get the job done right The most complete source of information identifying major engine parts Casting numbers parts description when a part was used and how it can be interchanged is fully covered in the text in 20 tables and in 560 photos or drawings This book will make you an expert *The Complete Ford Flathead V8 Engine Manual* Ron Ceridono,2000-12-27 Highlights all models from 1932 to 1953 Comprehensive details on restoration to original and modifications for hot rodding and high performance use This is the most thorough book about Ford s famous flatmotor Get the straight scoop on cooling carburetion and ignition from technical guru Ron Ceridono Softbound 8 1 2 x 11 202 pages 352 b w illustrations 19 diagrams

Thank you definitely much for downloading **Defender V8 Engine Diagram**. Maybe you have knowledge that, people have look numerous times for their favorite books as soon as this Defender V8 Engine Diagram, but end happening in harmful downloads.

Rather than enjoying a good book with a cup of coffee in the afternoon, instead they juggled in imitation of some harmful virus inside their computer. **Defender V8 Engine Diagram** is straightforward in our digital library an online entrance to it is set as public appropriately you can download it instantly. Our digital library saves in compound countries, allowing you to get the most less latency era to download any of our books considering this one. Merely said, the Defender V8 Engine Diagram is universally compatible similar to any devices to read.

<https://py.bijouxmedusa.com/results/uploaded-files/Documents/cement%20chemistry%20and%20additives%20schlumberger.pdf>

Table of Contents Defender V8 Engine Diagram

1. Understanding the eBook Defender V8 Engine Diagram
 - The Rise of Digital Reading Defender V8 Engine Diagram
 - Advantages of eBooks Over Traditional Books
2. Identifying Defender V8 Engine Diagram
 - Exploring Different Genres
 - Considering Fiction vs. Non-Fiction
 - Determining Your Reading Goals
3. Choosing the Right eBook Platform
 - Popular eBook Platforms
 - Features to Look for in an Defender V8 Engine Diagram
 - User-Friendly Interface
4. Exploring eBook Recommendations from Defender V8 Engine Diagram
 - Personalized Recommendations

- Defender V8 Engine Diagram User Reviews and Ratings
- Defender V8 Engine Diagram and Bestseller Lists
- 5. Accessing Defender V8 Engine Diagram Free and Paid eBooks
 - Defender V8 Engine Diagram Public Domain eBooks
 - Defender V8 Engine Diagram eBook Subscription Services
 - Defender V8 Engine Diagram Budget-Friendly Options
- 6. Navigating Defender V8 Engine Diagram eBook Formats
 - ePub, PDF, MOBI, and More
 - Defender V8 Engine Diagram Compatibility with Devices
 - Defender V8 Engine Diagram Enhanced eBook Features
- 7. Enhancing Your Reading Experience
 - Adjustable Fonts and Text Sizes of Defender V8 Engine Diagram
 - Highlighting and Note-Taking Defender V8 Engine Diagram
 - Interactive Elements Defender V8 Engine Diagram
- 8. Staying Engaged with Defender V8 Engine Diagram
 - Joining Online Reading Communities
 - Participating in Virtual Book Clubs
 - Following Authors and Publishers Defender V8 Engine Diagram
- 9. Balancing eBooks and Physical Books Defender V8 Engine Diagram
 - Benefits of a Digital Library
 - Creating a Diverse Reading Collection Defender V8 Engine Diagram
- 10. Overcoming Reading Challenges
 - Dealing with Digital Eye Strain
 - Minimizing Distractions
 - Managing Screen Time
- 11. Cultivating a Reading Routine Defender V8 Engine Diagram
 - Setting Reading Goals Defender V8 Engine Diagram
 - Carving Out Dedicated Reading Time
- 12. Sourcing Reliable Information of Defender V8 Engine Diagram
 - Fact-Checking eBook Content of Defender V8 Engine Diagram

- Distinguishing Credible Sources
- 13. Promoting Lifelong Learning
 - Utilizing eBooks for Skill Development
 - Exploring Educational eBooks
- 14. Embracing eBook Trends
 - Integration of Multimedia Elements
 - Interactive and Gamified eBooks

Defender V8 Engine Diagram Introduction

Defender V8 Engine Diagram Offers over 60,000 free eBooks, including many classics that are in the public domain. Open Library: Provides access to over 1 million free eBooks, including classic literature and contemporary works. Defender V8 Engine Diagram Offers a vast collection of books, some of which are available for free as PDF downloads, particularly older books in the public domain. Defender V8 Engine Diagram : This website hosts a vast collection of scientific articles, books, and textbooks. While it operates in a legal gray area due to copyright issues, its a popular resource for finding various publications. Internet Archive for Defender V8 Engine Diagram : Has an extensive collection of digital content, including books, articles, videos, and more. It has a massive library of free downloadable books. Free-eBooks Defender V8 Engine Diagram Offers a diverse range of free eBooks across various genres. Defender V8 Engine Diagram Focuses mainly on educational books, textbooks, and business books. It offers free PDF downloads for educational purposes. Defender V8 Engine Diagram Provides a large selection of free eBooks in different genres, which are available for download in various formats, including PDF. Finding specific Defender V8 Engine Diagram, especially related to Defender V8 Engine Diagram, might be challenging as theyre often artistic creations rather than practical blueprints. However, you can explore the following steps to search for or create your own Online Searches: Look for websites, forums, or blogs dedicated to Defender V8 Engine Diagram, Sometimes enthusiasts share their designs or concepts in PDF format. Books and Magazines Some Defender V8 Engine Diagram books or magazines might include. Look for these in online stores or libraries. Remember that while Defender V8 Engine Diagram, sharing copyrighted material without permission is not legal. Always ensure youre either creating your own or obtaining them from legitimate sources that allow sharing and downloading. Library Check if your local library offers eBook lending services. Many libraries have digital catalogs where you can borrow Defender V8 Engine Diagram eBooks for free, including popular titles. Online Retailers: Websites like Amazon, Google Books, or Apple Books often sell eBooks. Sometimes, authors or publishers offer promotions or free periods for certain books. Authors Website Occasionally, authors provide excerpts or short stories for free on their websites. While this might not be the Defender V8

Engine Diagram full book , it can give you a taste of the authors writing style.Subscription Services Platforms like Kindle Unlimited or Scribd offer subscription-based access to a wide range of Defender V8 Engine Diagram eBooks, including some popular titles.

FAQs About Defender V8 Engine Diagram Books

What is a Defender V8 Engine Diagram PDF? A PDF (Portable Document Format) is a file format developed by Adobe that preserves the layout and formatting of a document, regardless of the software, hardware, or operating system used to view or print it. **How do I create a Defender V8 Engine Diagram PDF?** There are several ways to create a PDF: Use software like Adobe Acrobat, Microsoft Word, or Google Docs, which often have built-in PDF creation tools. Print to PDF: Many applications and operating systems have a "Print to PDF" option that allows you to save a document as a PDF file instead of printing it on paper. Online converters: There are various online tools that can convert different file types to PDF. **How do I edit a Defender V8 Engine Diagram PDF?** Editing a PDF can be done with software like Adobe Acrobat, which allows direct editing of text, images, and other elements within the PDF. Some free tools, like PDFescape or Smallpdf, also offer basic editing capabilities. **How do I convert a Defender V8 Engine Diagram PDF to another file format?** There are multiple ways to convert a PDF to another format: Use online converters like Smallpdf, Zamzar, or Adobe Acrobats export feature to convert PDFs to formats like Word, Excel, JPEG, etc. Software like Adobe Acrobat, Microsoft Word, or other PDF editors may have options to export or save PDFs in different formats. **How do I password-protect a Defender V8 Engine Diagram PDF?** Most PDF editing software allows you to add password protection. In Adobe Acrobat, for instance, you can go to "File" -> "Properties" -> "Security" to set a password to restrict access or editing capabilities. Are there any free alternatives to Adobe Acrobat for working with PDFs? Yes, there are many free alternatives for working with PDFs, such as: LibreOffice: Offers PDF editing features. PDFsam: Allows splitting, merging, and editing PDFs. Foxit Reader: Provides basic PDF viewing and editing capabilities. How do I compress a PDF file? You can use online tools like Smallpdf, ILovePDF, or desktop software like Adobe Acrobat to compress PDF files without significant quality loss. Compression reduces the file size, making it easier to share and download. Can I fill out forms in a PDF file? Yes, most PDF viewers/editors like Adobe Acrobat, Preview (on Mac), or various online tools allow you to fill out forms in PDF files by selecting text fields and entering information. Are there any restrictions when working with PDFs? Some PDFs might have restrictions set by their creator, such as password protection, editing restrictions, or print restrictions. Breaking these restrictions might require specific software or tools, which may or may not be legal depending on the circumstances and local laws.

Find Defender V8 Engine Diagram :

[cement chemistry and additives schlumberger](#)

[chakras chakras for beginners how to use chakras for healing balancing and clearing your life force energy chakras healing reiki chakras for beginners](#)

[catering management system documentation pdf](#)

[centrifugal pump clinic second edition revised and expanded mechanical engineering](#)

[chapter 13 d reading](#)

[chapter 17 section 1 guided reading the origins of progressivism answers](#)

[chapter 13 section 1 guided reading review unemployment](#)

[chapter 10 supplemental problems answer key](#)

[chapter 13 european middle ages crossword puzzle](#)

cef level b2 c1

ccna routing and switching portable command guide 3rd edition

[challenging logic puzzles mensa](#)

[ccnp route lab lab companion](#)

[engel and boles thermodynamics 7th edition](#)

[chapter 19 acids bases salts worksheet answer key](#)

Defender V8 Engine Diagram :

research department of biological sciences biology molecular - Dec 26 2021

web feb 14 2023 our laboratory conducts research on a wide range of topics from population ecology to phylogenetics and spatial ecology combining work in the field and in the wet

nys biology regents lab botana curus secure4 khronos - Feb 08 2023

web this nys biology regents lab botana curus as one of the most functioning sellers here will completely be accompanied by by the best alternatives to review it will tremendously

nys biology regents lab botana curus pdf uniport edu - Aug 02 2022

web aug 8 2023 notice as competently as perception of this nys biology regents lab botana curus can be taken as competently as picked to act game on 2018 scholastic inc

genetics and bioengineering department faculty of engineering - Oct 24 2021

web these are mainly molecular diagnostic lab plant biotechnology lab nanobiotechnology lab immunology lab tissue engineering lab neurosciences lab proteomics and mass

[nys biology regents lab botana curus design bluesquare](#) - Jan 07 2023

web nys biology regents lab botana curus 5 5 language learning by objectives wiley interscience cyanobacterial toxins are among the hazardous substances most widely

[biodiversity lab manhasset union free school district](#) - Jun 12 2023

web botanacuruisavaluableplantb causeitproducescurol acompoundusedfortreatingcertainkindsofcancer cu

living environment regents review aecsd education - Aug 14 2023

web objective botana curus produces the fictitious compound curol which is used to treat types of cancer use structural and molecular data to determine which plant species x

nys biology regents lab botana curus orientation sutd edu sg - May 31 2022

web nys biology regents lab botana curus pdfsdocuments2 com review sheet nys regents lab activity 1 relationships and state lab botana curus answers cyteen de

[nys biology regents lab botana curus lia erc gov](#) - Oct 04 2022

web nys biology regents lab botana curus relationships and biodiversity state lab pg 131 146 state lab problem botanus curus is an endangered species and we cannot

boğaziçi university department of molecular biology and genetics - Sep 22 2021

web the department of molecular biology and genetics was founded in 1977 as the first molecular biology department in the country and since then has expanded to include

nys le laboratory city university of new york - Jul 01 2022

web this is a collection of labs that pertain to the nys regents living environment biology curriculum the labs are organized by units topics and may be downloaded and used for

[nys biology regents lab botana curus download only](#) - Apr 29 2022

web nys biology regents lab botana curus downloaded from fwhlmail williamcurley co uk by guest kerr levy c and the 8051 penguin group this totally reworked book combines

relationships and biodiversity nysed lab review - Jul 13 2023

web species z and botana curus share a similar pattern of pigmentation in paper chromatography test 5 indicator tests for enzyme m while many fizzed once again

nys biology regents lab botana curus pdf ftp bonide - Apr 10 2023

web nys biology regents lab botana curus springer handbook of marine biotechnology the life plan the real mrs miniver novel

approaches and their applications in risk

nys biology regents lab botana curus wrbb neu - Nov 05 2022

web nys biology regents lab botana curus is available in our digital library an online access to it is set as public so you can get it instantly our book servers saves in multiple

new york state required labs review diffusion through a - May 11 2023

web botana curus hypothetical plant used to make curol for treating cancer botana curus endangered grows slowly related species x y and z will determine which is

İstanbul laboratuvarları lab İstanbul - Jan 27 2022

web prof dr cafer eroĖlu infectious diseases and clinical microbiology specialist physician is included in our staff 01 01 2021 upset dr m feyzi doĖan radiodiagnostics

nys biology regents lab botana curus full pdf - Mar 09 2023

web nys biology regents lab botana curus is available in our book collection an online access to it is set as public so you can get it instantly our book servers hosts in multiple

nys biology regents lab botana curus media joomlashine com - Mar 29 2022

web nys biology regents lab botana curus free download here pdfsdocuments2 com april 18th 2018 free download here review sheet nys regents lab biodiversity lab

free nys biology regents lab botana curus - Sep 03 2022

web a high school biology supplement that meets new york state s curriculum standards containing concept reviews with question sets and explained answers an overview of

biology b s degrees new york tech - Nov 24 2021

web our bachelor of science in biology comprises a core curriculum in humanities and research principles and practices followed by coursework in anatomy physiology biochemistry

nys biology regents lab botana curus pdf download - Dec 06 2022

web pdf free download nys biology regents lab botana curus pdf or read nys biology regents lab botana curus pdf on the most popular online pdf lab only register

archive regents examination in biology - Feb 25 2022

web aug 29 2022 nysed p 12 ocaet osa past examinations science regents exams biology regents exam archive regents examination in biology january

recettes plat principal id es faciles d licieuses zeste - Apr 01 2022

web sur zeste retrouvez une foule de recettes de chefs de nutritionnistes et de cuisiniers pour tous les go ts toutes nos

recettes du repas léger au plus décadent nos recettes de plats principaux sont variées et savoureuses

350 recettes de cuisine montreal 1915 goodreads - Aug 17 2023

web feb 6 2018 read reviews from the world s largest community for readers undefined

350 recettes de cuisine montreal 1915 french - Jul 16 2023

web feb 6 2018 350 recettes de cuisine montreal 1915 french edition kindle edition by robinson d c download it once and read it on your kindle device pc phones or tablets use features like bookmarks note taking and highlighting while reading 350 recettes de cuisine montreal 1915 french edition

350 recettes de cuisine montreal 1915 pdf free red ortax - Aug 05 2022

web introduction 350 recettes de cuisine montreal 1915 pdf free governing charities paula maurutto 2003 annotation governing charities challenges received accounts of the welfare state by highlighting the complex web of relationships that characterize the delivery of social services

plats principaux 5 ingrédients 15 minutes - Jul 04 2022

web recettes toutes les recettes plats principaux boeuf et veau viande hachée jambon pâtes pizzas poisson fruits de mer porc poulet et dinde salades sandwiches boisson entrées et soupes bouchées accompagnements collations desserts déjeuners et brunchs thèmes tous les thèmes À congeler asiatique bbq boulettes camping

350 recettes de cuisine montreal 1915 - Sep 06 2022

web 350 recettes de cuisine montreal 1915 is available in our digital library an online access to it is set as public so you can get it instantly our book servers saves in multiple locations allowing you to get the most less latency time to download

350 recettes de cuisine montreal 1915 french - Mar 12 2023

web 350 recettes de cuisine montreal 1915 french edition ebook robinson d c amazon ca kindle store

350 recettes de cuisine montreal 1915 willowwoodco - Jan 10 2023

web feb 27 2023 for 350 recettes de cuisine montreal 1915 and numerous book collections from fictions to scientific research in any way in the middle of them is this 350 recettes de cuisine montreal 1915 that can be your partner l argus du livre de collection 1999 les familles anctil en amérique marcel anctil 1995 the canada gazette canada 1916

recettes d antan 350 recettes de cuisine de mademoiselle - Dec 09 2022

web 350 recettes de cuisine de mademoiselle jeanne anctil 1915

350 recettes de cuisine wikisource - Oct 19 2023

web 350 recettes de cuisine imprimerie h f lauzon 1915 texte sur une seule page 350 recettes de cuisine par mademoiselle jeanne anctil directrice les Écoles mÉnagÈres provinciales 1915 imprimerie h f lauzon montréal

350 recettes de cuisine banq numérique - Sep 18 2023

web 350 recettes de cuisine 1915 livres anctil jeanne 1875 1926 montréal imprimerie h f lauzon 1915 cuisine anctil jeanne 1875 1926 ami de l école 1915 1912 fre

350 recettes de cuisine montreal 1915 french - May 14 2023

web 350 recettes de cuisine montreal 1915 french edition ebook robinson d c amazon com au kindle store
calaméo 350 recettes de cuisine - Feb 28 2022

web 350 recettes de cuisine jeanne anctil imprimerie h f lauzon montréal 1915 exporté de wikisource le 13 avril 2021 1 350 recettes de cuisine par mademoiselle jeanne anctil directrice les Écoles mÉnagÈres provinciales 1915 imprimerie h f lauzon montréal

les meilleures recettes des cuisines du monde ricardo ricardo cuisine - Jun 03 2022

web voir la recette page 1 de 32 ricardo cuisine vous offre ses recettes préférées issues des cuisines du monde essayez les chilaquiles à la dinde les pommes de terre indiennes ou le veau à la grecque

350recettesdecuisinemontreal1915 pdf consellogroup - Oct 07 2022

web provinciales née le 27 décembre 1875 à sainte anne de la pocatière la pocatière québec fille de barthelemi anctil cultivateur et de zélie pelletier décédée célibataire le 4 décembre 1926 à montréal elle publie 350 recettes de cuisine bibliographie du québec 1821 1967 i e mil huit cent

350 recettes de cuisine montreal 1915 portal nivbook co - Feb 11 2023

web jeanne anctil 350 recettes de cuisine les livres disponibles history of soybeans and soyfoods in canada 1831 2019 bibliographie du québec 1821 1967 culinary landmarks répertoire de bibliographie française livres de l année biblio la librairie française 350 recettes de cuisine montreal 1915 downloaded from portal nivbook co il by guest

350 recettes de cuisine montreal 1915 pdf - Nov 08 2022

web 350 recettes de cuisine montreal 1915 350 recettes de cuisine montreal 1915 2 downloaded from old restorativejustice org on 2020 04 15 by guest present and the pleasures of dining ten chapters cover the food and taste of the hunter gatherers and first farmers of prehistory the rich mediterranean cultures of ancient greece and rome

350 recettes de cuisine montreal 1915 french - Jun 15 2023

web 350 recettes de cuisine montreal 1915 french edition ebook robinson d c amazon ca boutique kindle
cuisine du monde 20 idées de recettes faciles et délicieuses - May 02 2022

web jan 10 2022 du japon à l amérique du nord en passant par la grèce ou le moyen orient c est un voyage gustatif qui fera frétiller vos papilles voyagez à travers le monde sans quitter votre cuisine avec ces 20 recettes internationales et vivez une expérience gustative pour sortir du quotidien cuisine du monde 20 idées de recettes internationales

350 recettes de cuisine montreal 1915 format kindle - Apr 13 2023

web achetez et téléchargez ebook 350 recettes de cuisine montreal 1915 boutique kindle cuisines du monde amazon fr
[minna no nihongo 1 japanese kanji workbook goodreads](#) - Jul 03 2022

web minna no nihongo 1 japanese kanji workbook 書籍 minna no nihongo 1 5 by 書籍 4 44 rating details 27 ratings 2 reviews get a copy amazon stores libraries paperback 125 pages published by 書籍 more details edit details
buy minna no nihongo books learn japanese with textbooks and workbooks - May 01 2022

web each minna no nihongo textbook has a companion kanji workbook that helps to practice the kanji and vocabulary contained in the lessons in these workbooks the learner will first study each kanji then she or he will practice its reading and writing skills allowing for a steady progression

minna no nihongo 1 workbook hyojun mondaishu paperback - Dec 28 2021

web aug 1 2012 minna no nihongo shokyu 1 for beginner learning japanese 3 books set kanji workbook exercise book sentence pattern original sticky notes tokyo international japanese language institute 28

minna no nihongo i japanese kanji workbook pdf txt - Feb 27 2022

web overview download view minna no nihongo i japanese kanji workbook as pdf for free more details pages 138 preview full text related documents minna no nihongo i japanese kanji workbook december 2019 2 465 minna no nihongo i kanji

workbook january 2020 716 minna no nihongo i kanji renshuuchou january 2020 289

[studyjapanese net minna no nihongo i kanji eigoban pdf](#) - Jun 02 2022

web view details request a review learn more

minna no nihongo i kanji workbook pdf scribd - May 13 2023

web minna no nihongo i kanji workbook free download as pdf file pdf text file txt or read online for free minna no nihongo 1 kanji workbook

[minna no nihongo shokyu 1 elementary kanji renshucho workbook](#) - Feb 10 2023

web product description 14 19 usd enhance your japanese kanji proficiency with this workbook companion to the popular minna no nihongo shokyu 1 2nd ed featuring reading and writing exercises for all 218 commonly used kanji contained within the main textbook test your knowledge with the unit quizzes and answer key found at the end of

minna no nihongo second edition kanji workbook 1 zweite auflage kanji - Jan 09 2023

web minna no nihongo second edition kanji workbook 1 zweite auflage kanji Übungsbuch anfänger 1 3a corporation amazon com tr kitap

minna no nihongo kanji workbook pdf scribd - Jul 15 2023

web minna no nihongo kanji workbook free download as pdf file pdf or read online for free minna no nihongo kanji

[studyjapanese net minna no nihongo i kanji renshuuchou pdf](#) - Jan 29 2022

web you may be offline or with limited connectivity

minna no nihongo i japanese kanji workbook pdf cultural - Sep 05 2022

web minna no nihongo i japanese kanji workbook free download as pdf file pdf or read online for free minna no nihongo i

minna no nihongo i japanese kanji workbook dokumen tips - Oct 06 2022

web aug 15 2019 kanji renshū chō minna no nihongo 1 kanji workbook 1 3 documents nihongo watashino kotoba note shokvuu minna no nihongo i main textbook minna no nihongo i grammatical notes english ver minna no nihongo i grammatical notes

pdf minna no nihongo i kanji workbook pdfslide net - Apr 12 2023

web aug 22 2019 8 22 2019 minna no nihongo i kanji workbook 1 408 22 2019 minna no nihongo i kanji workbook 2 408 22 2019 minna no nihongo i kanji workbook 3 408 22 2019 minna no nihongo

minna no nihongo second edition kanji workbook 1 zweite auflage kanji - Mar 11 2023

web minna no nihongo second edition kanji workbook 1 zweite auflage kanji Übungsbuch anfänger 1 3a corporation amazon com tr kitap

introduction to kanji minna no nihongo unit 1 kanji youtube - Mar 31 2022

web mar 11 2018 mina san i made all the lesson files available on my patreon page you can get access to the pdf of the vocabulary and grammar lessons that i use in m

minna no nihongo 1 kanji workbook intertaal - Aug 16 2023

web much like the rest of the minna no nihongo series this book breaks them down into lesson reviews going over 10 16 kanji characters each time reinforcing understanding of stroke order reading and word recognition through both reading and writing exercises and removable practice and answer sheets

minna no nihongo beginner i workbook answer key pdf - Dec 08 2022

web pepe viyuela minna no nihongo beginner i textbook answer key pepe viyuela minna no nihongo beginner i sentence pattern workbook answer key pepe viyuela minna no nihongo beginner i workbook pepe viyuela minna no nihongo beginner i listening comprehension pepe viyuela

minna no nihongo shokyu 1 kanji renshuuchou a1 kanji workbook - Nov 07 2022

web minna no nihongo workbook for practicing kanji correlated with the whole minna course for more books from these series visit my page see full pdf download pdf

minna no nihongo 1 kanji workbook □□□□□□□□ - Jun 14 2023

web minna no nihongo 1 kanji workbook is available in our digital library an online access to it is set as public so you can download it instantly our book servers hosts in multiple countries allowing you to get the most less latency time to

minna no nihongo 1 kanji workbook shokyu 1 kanji renshu - Aug 04 2022

web minna no nihongo elementary 1 kanji workbook shokyu 1 kanji renshu cho second edition ean 9784883196029 isbn 9784883196029 year of publication 2012 publisher 3a corporation number of pages 138 languages japanese country of