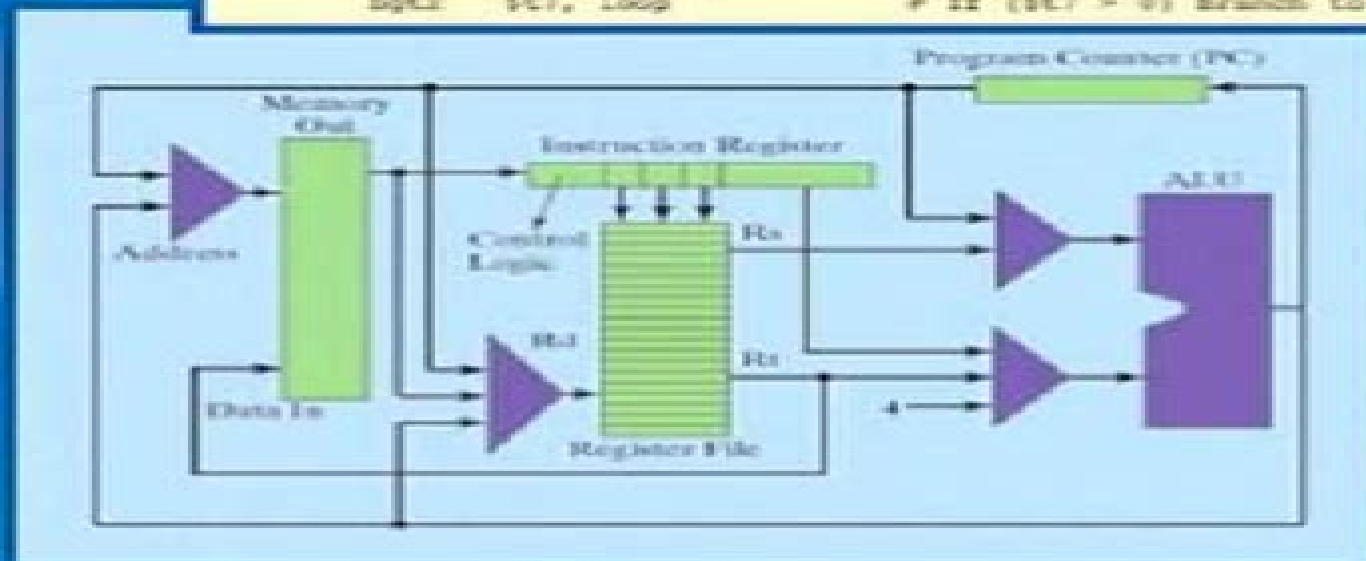


MIPS

Assembly Language Programming

```

li      $a2, 0           # Load immediate $a2 = 0
li      $t7, 25         # Initialize loop counter to 25
loop:   add     $a2, $a2, $t7    # $a2 = $a2 + $t7
        addi    $t7, $t7, -1    # Decrement loop counter
        bgtz   $t7, loop      # If ($t7 > 0) Branch to loop
    
```



Robert L. Britton

Mips Assembly Language Programming Solutions

Jiyuan Zhang



Mips Assembly Language Programming Solutions:

MIPS Assembly Language Programming Robert L. Britton, 2004 For freshman sophomore level courses in Assembly Language Programming Introduction to Computer Organization and Introduction to Computer Architecture Students using this text will gain an understanding of how the functional components of modern computers are put together and how a computer works at the machine language level MIPS architecture embodies the fundamental design principles of all contemporary RISC architectures By incorporating this text into their courses instructors will be able to prepare their undergraduate students to go on to upper division computer organization courses *Computer Organization and Design ARM Edition* David A. Patterson, John L. Hennessy, 2016-05-06 The new ARM Edition of Computer Organization and Design features a subset of the ARMv8 A architecture which is used to present the fundamentals of hardware technologies assembly language computer arithmetic pipelining memory hierarchies and I O With the post PC era now upon us Computer Organization and Design moves forward to explore this generational change with examples exercises and material highlighting the emergence of mobile computing and the Cloud Updated content featuring tablet computers Cloud infrastructure and the ARM mobile computing devices and x86 cloud computing architectures is included An online companion Web site provides links to a free version of the DS 5 Community Edition a free professional quality tool chain developed by ARM as well as additional advanced content for further study appendices glossary references and recommended reading Covers parallelism in depth with examples and content highlighting parallel hardware and software topics Features the Intel Core i7 ARM Cortex A53 and NVIDIA Fermi GPU as real world examples throughout the book Adds a new concrete example Going Faster to demonstrate how understanding hardware can inspire software optimizations that improve performance by 200X Discusses and highlights the Eight Great Ideas of computer architecture Performance via Parallelism Performance via Pipelining Performance via Prediction Design for Moore s Law Hierarchy of Memories Abstraction to Simplify Design Make the Common Case Fast and Dependability via Redundancy Includes a full set of updated exercises **Computer Organization and Design RISC-V Edition** David A. Patterson, John L. Hennessy, 2020-12-11 Computer Organization and Design RISC V Edition The Hardware Software Interface Second Edition the award winning textbook from Patterson and Hennessy that is used by more than 40 000 students per year continues to present the most comprehensive and readable introduction to this core computer science topic This version of the book features the RISC V open source instruction set architecture the first open source architecture designed for use in modern computing environments such as cloud computing mobile devices and other embedded systems Readers will enjoy an online companion website that provides advanced content for further study appendices glossary references links to software tools and more Covers parallelism in depth with examples and content highlighting parallel hardware and software topics Focuses on 64 bit address ISA to 32 bit address and ISA for RISC V because 32 bit RISC V ISA is simpler to explain and 32 bit address

computers are still best for applications like embedded computing and IoT Includes new sections in each chapter on Domain Specific Architectures DSA Provides updates on all the real world examples in the book **Computer Organization and Design** David A. Patterson,John L. Hennessy,2012 Rev ed of Computer organization and design John L Hennessy David A Patterson 1998 [XXXXXXXXXXXX/XXXX](#) John L. Hennessy,XXXX,David A. Patterson,1999 [68000 Assembly Language Programming](#) J. Michael Bennett,1987 *Mastering the Art of MIPS Assembly Programming: Unlock the Secrets of Expert-Level Skills* Larry Jones,2025-02-26 Unlock the full potential of your programming expertise with Mastering the Art of MIPS Assembly Programming Unlock the Secrets of Expert Level Skills This comprehensive guide goes beyond the basics delving deep into the sophisticated landscapes of MIPS assembly language By exploring advanced architectural features intricate data handling and optimizing performance this book equips seasoned programmers with the essential skills to elevate their coding prowess and tackle complex computational challenges effectively Each meticulously crafted chapter offers a wealth of knowledge from mastering control flow instructions to harnessing the power of macros and pseudo instructions The book seamlessly integrates practical applications with theoretical insights providing readers with a balanced understanding of both the micro and macro aspects of MIPS programming With detailed explanations real world case studies and strategic debugging techniques it ensures a holistic learning experience that empowers you to develop optimized high performance solutions across various domains Whether you re interfacing MIPS with high level languages or exploring real world applications in embedded systems this book illuminates the endless possibilities of MIPS assembly programming Perfect for advanced programmers seeking to refine their skills and for professionals looking to solve cutting edge problems with efficiency and precision Mastering the Art of MIPS Assembly Programming is your definitive resource Embrace the challenge and unlock new horizons in your programming journey with this essential guide *InfoWorld* ,1988-07-11 InfoWorld is targeted to Senior IT professionals Content is segmented into Channels and Topic Centers InfoWorld also celebrates people companies and projects **ACM SIGPLAN Notices** ,2004-05 *Tutorial, Microprogramming and Firmware Engineering* Veljko Milutinović,1989 [Byte](#) ,1998 **Embedded Systems Programming** ,1999-07 [Dr. Dobb's Journal](#) ,1996 [Design based Research](#) Kirat Pal Singh, Author Impact [Novell's Guide to Netware 4.0 NLM Programming](#) Michael Day,Michael Koontz,Daniel Marshall,1993 Here s a unique guide for developing NetWare server based applications filled with network programming methods techniques and theory The book contains extensive practical examples as well as sample code and thorough discussions regarding its use **ICASSP 93** ,1993 [IT++](#) Computer Society of India. Annual Convention,Computer Society of India,Manohar Chandwani,2005 *Proceedings* ,1982 **Datapro Directory of Microcomputer Software** ,1998 [Introduction to MIPS Assembly Language Programming](#) Charles W. Kann (III.),2015 This book was written to introduce students to assembly language programming in MIPS As with all assembly language programming texts it covers basic operators and instructions subprogram calling loading and storing

memory program control and the conversion of the assembly language program into machine code

Delve into the emotional tapestry woven by Crafted by in Dive into the Emotion of **Mips Assembly Language Programming Solutions** . This ebook, available for download in a PDF format (PDF Size: *), is more than just words on a page; it is a journey of connection and profound emotion. Immerse yourself in narratives that tug at your heartstrings. Download now to experience the pulse of each page and let your emotions run wild.

https://py.bijouxmedusa.com/book/scholarship/fetch.php/georges_secret_key_to_the_universe.pdf

Table of Contents Mips Assembly Language Programming Solutions

1. Understanding the eBook Mips Assembly Language Programming Solutions
 - The Rise of Digital Reading Mips Assembly Language Programming Solutions
 - Advantages of eBooks Over Traditional Books
2. Identifying Mips Assembly Language Programming Solutions
 - Exploring Different Genres
 - Considering Fiction vs. Non-Fiction
 - Determining Your Reading Goals
3. Choosing the Right eBook Platform
 - Popular eBook Platforms
 - Features to Look for in an Mips Assembly Language Programming Solutions
 - User-Friendly Interface
4. Exploring eBook Recommendations from Mips Assembly Language Programming Solutions
 - Personalized Recommendations
 - Mips Assembly Language Programming Solutions User Reviews and Ratings
 - Mips Assembly Language Programming Solutions and Bestseller Lists
5. Accessing Mips Assembly Language Programming Solutions Free and Paid eBooks
 - Mips Assembly Language Programming Solutions Public Domain eBooks
 - Mips Assembly Language Programming Solutions eBook Subscription Services
 - Mips Assembly Language Programming Solutions Budget-Friendly Options

6. Navigating Mips Assembly Language Programming Solutions eBook Formats
 - ePub, PDF, MOBI, and More
 - Mips Assembly Language Programming Solutions Compatibility with Devices
 - Mips Assembly Language Programming Solutions Enhanced eBook Features
7. Enhancing Your Reading Experience
 - Adjustable Fonts and Text Sizes of Mips Assembly Language Programming Solutions
 - Highlighting and Note-Taking Mips Assembly Language Programming Solutions
 - Interactive Elements Mips Assembly Language Programming Solutions
8. Staying Engaged with Mips Assembly Language Programming Solutions
 - Joining Online Reading Communities
 - Participating in Virtual Book Clubs
 - Following Authors and Publishers Mips Assembly Language Programming Solutions
9. Balancing eBooks and Physical Books Mips Assembly Language Programming Solutions
 - Benefits of a Digital Library
 - Creating a Diverse Reading Collection Mips Assembly Language Programming Solutions
10. Overcoming Reading Challenges
 - Dealing with Digital Eye Strain
 - Minimizing Distractions
 - Managing Screen Time
11. Cultivating a Reading Routine Mips Assembly Language Programming Solutions
 - Setting Reading Goals Mips Assembly Language Programming Solutions
 - Carving Out Dedicated Reading Time
12. Sourcing Reliable Information of Mips Assembly Language Programming Solutions
 - Fact-Checking eBook Content of Mips Assembly Language Programming Solutions
 - Distinguishing Credible Sources
13. Promoting Lifelong Learning
 - Utilizing eBooks for Skill Development
 - Exploring Educational eBooks
14. Embracing eBook Trends
 - Integration of Multimedia Elements

- Interactive and Gamified eBooks

Mips Assembly Language Programming Solutions Introduction

Free PDF Books and Manuals for Download: Unlocking Knowledge at Your Fingertips In today's fast-paced digital age, obtaining valuable knowledge has become easier than ever. Thanks to the internet, a vast array of books and manuals are now available for free download in PDF format. Whether you are a student, professional, or simply an avid reader, this treasure trove of downloadable resources offers a wealth of information, conveniently accessible anytime, anywhere. The advent of online libraries and platforms dedicated to sharing knowledge has revolutionized the way we consume information. No longer confined to physical libraries or bookstores, readers can now access an extensive collection of digital books and manuals with just a few clicks. These resources, available in PDF, Microsoft Word, and PowerPoint formats, cater to a wide range of interests, including literature, technology, science, history, and much more. One notable platform where you can explore and download free Mips Assembly Language Programming Solutions PDF books and manuals is the internet's largest free library. Hosted online, this catalog compiles a vast assortment of documents, making it a veritable goldmine of knowledge. With its easy-to-use website interface and customizable PDF generator, this platform offers a user-friendly experience, allowing individuals to effortlessly navigate and access the information they seek. The availability of free PDF books and manuals on this platform demonstrates its commitment to democratizing education and empowering individuals with the tools needed to succeed in their chosen fields. It allows anyone, regardless of their background or financial limitations, to expand their horizons and gain insights from experts in various disciplines. One of the most significant advantages of downloading PDF books and manuals lies in their portability. Unlike physical copies, digital books can be stored and carried on a single device, such as a tablet or smartphone, saving valuable space and weight. This convenience makes it possible for readers to have their entire library at their fingertips, whether they are commuting, traveling, or simply enjoying a lazy afternoon at home. Additionally, digital files are easily searchable, enabling readers to locate specific information within seconds. With a few keystrokes, users can search for keywords, topics, or phrases, making research and finding relevant information a breeze. This efficiency saves time and effort, streamlining the learning process and allowing individuals to focus on extracting the information they need. Furthermore, the availability of free PDF books and manuals fosters a culture of continuous learning. By removing financial barriers, more people can access educational resources and pursue lifelong learning, contributing to personal growth and professional development. This democratization of knowledge promotes intellectual curiosity and empowers individuals to become lifelong learners, promoting progress and innovation in various fields. It is worth noting that while accessing free Mips Assembly Language Programming Solutions PDF books and manuals is convenient and cost-effective, it is vital to respect copyright laws and intellectual property rights. Platforms

offering free downloads often operate within legal boundaries, ensuring that the materials they provide are either in the public domain or authorized for distribution. By adhering to copyright laws, users can enjoy the benefits of free access to knowledge while supporting the authors and publishers who make these resources available. In conclusion, the availability of Mips Assembly Language Programming Solutions free PDF books and manuals for download has revolutionized the way we access and consume knowledge. With just a few clicks, individuals can explore a vast collection of resources across different disciplines, all free of charge. This accessibility empowers individuals to become lifelong learners, contributing to personal growth, professional development, and the advancement of society as a whole. So why not unlock a world of knowledge today? Start exploring the vast sea of free PDF books and manuals waiting to be discovered right at your fingertips.

FAQs About Mips Assembly Language Programming Solutions Books

What is a Mips Assembly Language Programming Solutions PDF? A PDF (Portable Document Format) is a file format developed by Adobe that preserves the layout and formatting of a document, regardless of the software, hardware, or operating system used to view or print it. **How do I create a Mips Assembly Language Programming Solutions PDF?** There are several ways to create a PDF: Use software like Adobe Acrobat, Microsoft Word, or Google Docs, which often have built-in PDF creation tools. Print to PDF: Many applications and operating systems have a "Print to PDF" option that allows you to save a document as a PDF file instead of printing it on paper. Online converters: There are various online tools that can convert different file types to PDF. **How do I edit a Mips Assembly Language Programming Solutions PDF?** Editing a PDF can be done with software like Adobe Acrobat, which allows direct editing of text, images, and other elements within the PDF. Some free tools, like PDFescape or Smallpdf, also offer basic editing capabilities. **How do I convert a Mips Assembly Language Programming Solutions PDF to another file format?** There are multiple ways to convert a PDF to another format: Use online converters like Smallpdf, Zamzar, or Adobe Acrobat's export feature to convert PDFs to formats like Word, Excel, JPEG, etc. Software like Adobe Acrobat, Microsoft Word, or other PDF editors may have options to export or save PDFs in different formats. **How do I password-protect a Mips Assembly Language Programming Solutions PDF?** Most PDF editing software allows you to add password protection. In Adobe Acrobat, for instance, you can go to "File" -> "Properties" -> "Security" to set a password to restrict access or editing capabilities. Are there any free alternatives to Adobe Acrobat for working with PDFs? Yes, there are many free alternatives for working with PDFs, such as: LibreOffice: Offers PDF editing features. PDFsam: Allows splitting, merging, and editing PDFs. Foxit Reader: Provides basic PDF viewing and editing capabilities. How do I compress a PDF file? You can use online tools like Smallpdf, ILovePDF, or desktop software like Adobe Acrobat to compress PDF files without significant quality loss. Compression reduces the file size, making it easier to

share and download. Can I fill out forms in a PDF file? Yes, most PDF viewers/editors like Adobe Acrobat, Preview (on Mac), or various online tools allow you to fill out forms in PDF files by selecting text fields and entering information. Are there any restrictions when working with PDFs? Some PDFs might have restrictions set by their creator, such as password protection, editing restrictions, or print restrictions. Breaking these restrictions might require specific software or tools, which may or may not be legal depending on the circumstances and local laws.

Find Mips Assembly Language Programming Solutions :

[georges-secret key to the universe](#)

[green day guitar chords and tabs for 21 guns wake me up](#)

[grammar express basic with answer key download](#)

[gpsa engineering data book si units inafix](#)

[guidelines for netaji subhas icar international fellowships](#)

[growing up native by carol geddes essay jrknnet](#)

[gifted and talented nnat practice test prep for kindergarten and 1st grade with additional olsat practice gifted and talented test prep volume 1](#)

grey anatomia para estudiantes

[geography question paper grade 10](#)

[geography grade 12 study guide kadaweore](#)

[gifted hands by ben carson book stwweb](#)

graduate review of tonal theory a recasting of common practice harmony form and counterpoint

[grade 12 maths exam papers and memos](#)

[geotecnica lancellotta pdf](#)

[geology by km bangar](#)

Mips Assembly Language Programming Solutions :

pdf tekst fantastiko shkencor - Oct 14 2023

web tekst fantastiko shkencor fjalor enciklopedik mar 14 2020 nëpër korridoret e thella të jonit dec 15 2022 përtej oborrit diellor apr 26 2021 ikja e pellumbave feb 11 2020

[yourliterary.com ese tekst poezi tregime shqip shqip](#) - Jul 11 2023

web may 22 2019 lloji tekst pershkrues ishte mengjes dhe me ne fund arrita pamja ishte mbreslenese rrezet e diellit nuk ishin shume te fort

tekst fantastiko shkencor vps huratips com - May 29 2022

web may 21 2020 about press copyright contact us creators advertise developers terms privacy policy safety how youtube works test new features nfl sunday ticket

tekst fantastiko shkencor - Jun 10 2023

web tekst fantastiko shkencor 1 tekst fantastiko shkencor political economy of socialist realism albanians and jews the space merchants history of the mohawk valley

tekst fantastiko shkencor - Jun 29 2022

web 4 tekst fantastiko shkencor 2022 12 31 and plot summaries bibliografia kombëtare e librit që botohet në republikën e shqipërisë callisto reference gjorg a young albanian

come scrivere un testo fantascientifico 15 passaggi wikihow - Feb 23 2022

web 298 free science fiction fonts most popular by name font categories most popular newest 3d aggressive all caps ancient arab asian black block blood bold brand

tekst fantastiko shkencor orientation sutd edu - Oct 02 2022

web tekst fantastiko shkencor as recognized adventure as skillfully as experience more or less lesson amusement as well as deal can be gotten by just checking out a books

tekst fantastiko shkencor help environment harvard edu - Sep 01 2022

web tekst fantastiko shkencor tom brown s school days dec 03 2022 the siege jul 30 2022 it is the early fifteenth century and as winter falls away the people of albania know

yourliterary com ese tekst poezi tregime shqip shqip - Apr 08 2023

web dec 14 2022 shembull argita nerpjetri sq yourliterary com vepra tregim tregime fantastiko shkencore 7996 vepra te

tekst fantastiko shkencor copy - Jul 31 2022

web 2 tekst fantastiko shkencor 2022 02 17 on psychomotor learning through movement exploration and play is known as physical education it also seeks to impart knowledge

tema mësimore tregimi fantastiko shkencor lënda - Dec 04 2022

web science fantasy shqip fanta shkenca është një zhanër hibrid letrar që bashkon science fiction dhe fantazin ë një nga filmat më të njohur atë këtij zhanri është star trek

romani fantastiko shkencor wikipedia - Sep 13 2023

web ne tregime fantastiko shkencor gershetohen elementet realiste me ato fantastike e shkencore ppersonazhet ngjarjet

vendet reale me ato te trilluara nga fantazia e autorit

tekst fantastiko shkencor - May 09 2023

web tekst fantastiko shkencor tregime fantastiko shkencore faqja 2 vargmal ne udhetim drejt marsit te mbrojtur nga nje sferë 100 zbulimet shkencore te te gjitha koherave

facebook - Mar 27 2022

web 5 crea le ambientazioni uno degli elementi principali della fantascienza è la percezione del lettore come se lasciasse il proprio mondo verso uno più interessante significa che

kategoria libra fantastiko shkencorë wikipedia - Feb 06 2023

web mirë se vini rregullat kryesore faqet ndihmëse projektet artikuj të mirë artikuj të përkryer shkruaj një artikull Çmimet ndryshimet më të fundit

faleminderit librat - Aug 12 2023

web për shkak të disa rinovimeve të ndërmarra portali librat al është përkohësisht jashtë funksionit faleminderit librari albania

tekst fantastiko shkencor liululu - Mar 07 2023

web tekst fantastiko shkencor tekst fantastiko shkencor provimi përfundimtar në fund të arsimit dhe të edukimit fillor ne udhetim drejt marsit te mbrojtur nga

fantashkenca wikipedia - Nov 03 2022

web tekst fantastiko shkencor doja nje tregim fantastiko shkencor me teme nje udhetim n egalaktik me duhet patjeter per nesoer shume e gjetur nje udhetim midis fantastiko

gjuhe shqipe 4 tregimi fantastiko shkencor facebook - Jan 05 2023

web may 21 2020 lënda gjuhë shqipe iv tema teksti fantastiko shkencor në planetin e çuditshëm mësuese moza bazelli gjuhe shqipe 4 tregimi fantastiko shkencor

racconto fantasy come scrivere un tema fantastico studentville - Dec 24 2021

web aug 19 2023 tekst fantastiko shkencor Çka është romani fantastiko shkencor rapitful shqip fantastic band taxi tekst pjesme tekstovi pjesama lyrics detyra kursi

tekst fantastiko shkencor - Nov 22 2021

teksti fantastiko shkencor gjuhe shqipe 4 youtube - Apr 27 2022

web when this happens it s usually because the owner only shared it with a small group of people changed who can see it or it s been deleted

298 free science fiction fonts cool text graphics logo - Jan 25 2022

web oct 5 2018 guida completa alla scrittura di un racconto fantasy o fantastico con gli spunti per inventare il tuo tema con il testo per la scuola e i compiti

mcgoorty a pool room hustler by danny mcgoorty goodreads - Apr 03 2023

web the story of danny mcgoorty the infamous pool and billiards player is presented in this fast paced and gritty account of the pre world war ii ladies man and bad boy who

mcgoorty a billiard hustler s life softcover abebooks - Sep 27 2022

web 17 2 6k views 3 years ago today in another episode of stories with dan i do a book review on mcgoorty a pool room hustler by robert byrne

mcgoorty the story of a billiard bum hardcover amazon com - Nov 29 2022

web mcgoorty a billiard hustler s life by mcgoorty danny 1901 1970 publication date 1984 topics mcgoorty danny 1901 1970 billiard players united states biography

mcgoorty a pool room hustler library of larceny - Jul 06 2023

web mcgoorty a pool room hustler robert byrne 4 36 11ratings0reviews want to read buy on amazon rate this book 240 pages paperback first published november 30 2000

mcgoorty a billiard hustler s life mcgoorty danny 1901 1970 - Aug 27 2022

web the most mcgourty families were found in usa in 1920 in 1880 there were 29 mcgourty families living in massachusetts this was about 45 of all the recorded mcgourty s in

facebook - Dec 19 2021

mcgoorty a pool room hustler robert byrne google books - Aug 07 2023

web buy a cheap copy of mcgoorty a billiard hustler s life book by robert byrne danny mcgoorty was a pool hustler whose heyday was in the 1920s and 30s he told his

mcgoorty a billiard hustler s life book by robert byrne - May 04 2023

web editions for mcgoorty a pool room hustler 076791631x paperback published in 2004 0818400560 hardcover published in 1972 0767918118 ebook publish

mcgoorty a pool room hustler book by robert byrne - Oct 29 2022

web mcgoorty a pool room hustler total sports illustrated classic series by mcgoorty danny byrne robert and a great selection of related books art and collectibles

pool hustler danny mcgoorty life story stories with dan ep 13 - Jun 24 2022

web recorded in the spellings of mcgourkey mcgourry and mcgourty this is an irish surname it derives from the pre 10th century surname mac dhorchaidh which loosely translates

mcgoorty a billiard hustler s life amazon com - Jun 05 2023

web find helpful customer reviews and review ratings for mcgoorty a pool room hustler library of larceny at amazon com read honest and unbiased product reviews from

surname database mcgourty last name origin - Mar 22 2022

web you must log in to continue log into facebook log in

mcgoorty a pool room hustler robert byrne google books - Nov 17 2021

mcgoorty name meaning mcgoorty family history at - May 24 2022

web mcgroarty is a surname notable people with the surname include chris mcgroarty born 1981 scottish footballer jimmy mcgroarty born 1957 northern irish footballer john

amazon com customer reviews mcgoorty a pool room - Mar 02 2023

web jan 1 1972 mcgoorty the story of a billiard bum byrne robert 9781199214256 amazon com books books

mcgoorty a pool room hustler by robert byrne - Oct 09 2023

web mar 23 2004 the broadway books library of larceny luc sante general editor mcgoorty is master billiards writer robert byrne s racy account of the life of danny

1892129493 mcgoorty a pool room hustler total sports - Jul 26 2022

web may 23 2001 unfortunately mcgoorty who succumbed to cancer in 1970 never laid eyes on his magnum opus mcgoorty didn t last much longer going out of print a decade later

mcgoorty a billiard hustler s life by danny mcgoorty - Sep 08 2023

web mar 23 2004 the broadway books library of larceny luc sante general editor mcgoorty is master billiards writer robert byrne s racy account of the life of danny

the rock star indian river magazine - Jan 20 2022

editions of mcgoorty a pool room hustler by robert byrne - Feb 01 2023

web trustpilot buy a cheap copy of mcgoorty a pool room hustler book by robert byrne the story of danny mcgoorty the infamous pool and billiards player is presented in this

mcgoorty a pool room hustler alibris - Dec 31 2022

web mcgoorty is master at billiards and racy account of the life of danny mcgoorty hustler and hobo womanizer and fashion

plate and a billiards champion of that bygone era

the hustler la weekly - Apr 22 2022

web the rock star michael spaz mcgoorty belts out a song as lead singer for the pure zeppelin experience a touring cover band associated with artists for multiple sclerosis

mcgroarty wikipedia - Feb 18 2022

web mar 23 2004 mcgoorty is master billiards writer robert byrne s racy account of the life of danny mcgoorty a billiards champion of that bygone era when cue artists were often

good profit how creating value for others built one of - Oct 14 2023

web oct 13 2015 good profit is earned by achieving value for consumers instead of just profiting for the sake of profit or by receiving taxpayer funds through subsidies exemptions and credits by sticking with this principle throughout their companies they continue to earn good profits and succeed

good profit how creating value for others built one of the - Jan 05 2023

web good profit how creating value for others built one of the world s most successful companies by koch charles g isbn 10 1101904135 isbn 13 9781101904138 currency 2015 hardcover

good profit how creating value for others built one of the - Feb 06 2023

web good profit how creating value for others built one of the world s most successful companies koch charles g 9781101904138 books amazon ca books

good profit how creating value for others built one of the - May 09 2023

web good profit how creating value for others built one of the world s most successful companies by charles g koch key takeaways analysis review ebook written by instaread read this book using google play books app on your pc android ios devices

good profit how creating value for others built one of the - Jul 11 2023

web good profit how creating value for others built one of the world s most successful companies charles g koch oct 2015 penguin random house audio narrated by charles g koch and

good profit how creating value for others built one of the - Jun 29 2022

web this is an analysis of charles koch s book good profit how creating value for others built one of the world s most successful companies an expansion of his 2007 work the science of success how market based management built

good profit how creating value for others built one of the - Nov 03 2022

web this book will introduce you to things such as mbm principled entrepreneurship schumpeter s creative destruction maslow s theory of hierarchical needs and many other ideas that define the importance of pursuing healthy good profit vs

[good profit how creating value for others built one of the](#) - Apr 08 2023

web good profit how creating value for others built one of the world s most successful companies ebook written by charles g koch read this book using google play books app on your pc android ios devices

[creating societal benefits and corporate profits mit sloan](#) - May 29 2022

web mar 18 2014 step 1 create mechanisms to gain multi stakeholder input traditionally companies analyze their internal capabilities and target customer markets to identify new opportunities the process of synergistic public private value creation requires a different starting point since companies generally have a limited understanding of public needs

good profit how creating value for others built on 2022 - Apr 27 2022

web good profit how creating value for others built on 1 good profit how creating value for others built on good profit how creating value for others built one of amazon com good profit how creating value for others good profit how creating value for others built one of why value creation is the foundation of

[good profit how creating value for others built one of the](#) - Jun 10 2023

web good profit how creating value for others built one of the world s most successful companies user review publishers weekly koch the science of success chairman and ceo of koch

good profit how creating value for others built one of the world s - Mar 07 2023

web nov 7 2016 by charles g koch added november 7 2016 a legendary ceo s unique management system in 1967 charles koch took the reins of his father s company and began the process of growing it from a 21 million company into a global corporation with revenues of about 115 billion according to forbes

good profit how creating value for others built one of the - Oct 02 2022

web oct 13 2015 good profit is the earnings that follow when long term value is created for everyone customers employees shareholders and society readers will learn to craft a vision for how a business can thrive in spite of disruption and

good profit how creating value for others built one of the - Sep 13 2023

web oct 13 2015 new york times bestseller learn how to apply the principles of charles koch s revolutionary market based management system to generate good profit in your organization company and life this book helps show you the way to good profit whether you work for an international supermarket chain a medium sized

pdf epub good profit how creating value for others built - Sep 01 2022

web feb 1 2023 here is a quick description and cover image of book good profit how creating value for others built one of the world s most successful companies written by charles g koch which was published in october 13 2015

good profit how creating value for others built one of the - Jul 31 2022

web new york times bestseller learn how to apply the principles of charles koch s revolutionary market based management r

system to generate good profit in your organization company and life this book helps show you the way to good profit whether you work for an international supermarket chain a medium sized regional business or good profit how creating value for others built one of the - Dec 04 2022

web oct 13 2015 the core objective of mbm is to generate good profit good profit results from products and services that customers vote for freely with their dollars it results from a bottom up culture where employees are empowered to act entrepreneurially to discover customers preferences and the best ways to improve their lives

good profit how creating value for others built one of the - Aug 12 2023

web crown oct 13 2015 business economics 288 pages new york times bestseller learn how to apply the principles of charles koch s revolutionary market based management system to generate

7 benefits of opening a company in singapore statrys - Feb 23 2022

web may 23 2023 4 favorable tax system singapore is regarded as having one of the most competitive tax structures in the world with the highest corporate tax rate on taxable income being 17 in addition singapore charges one of the world s lowest value added tax rates there is no tax on capital gains and income tax is levied on locally generated income

how companies can profit from doing good fast company - Mar 27 2022

web how companies can profit from doing good one company challenged all of its employees to volunteer and the positive results it soon saw were two fold