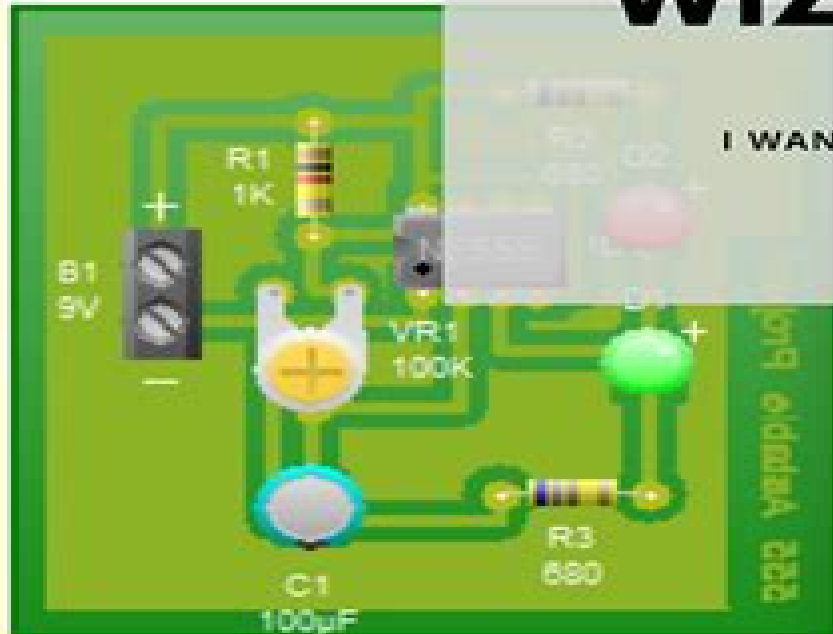
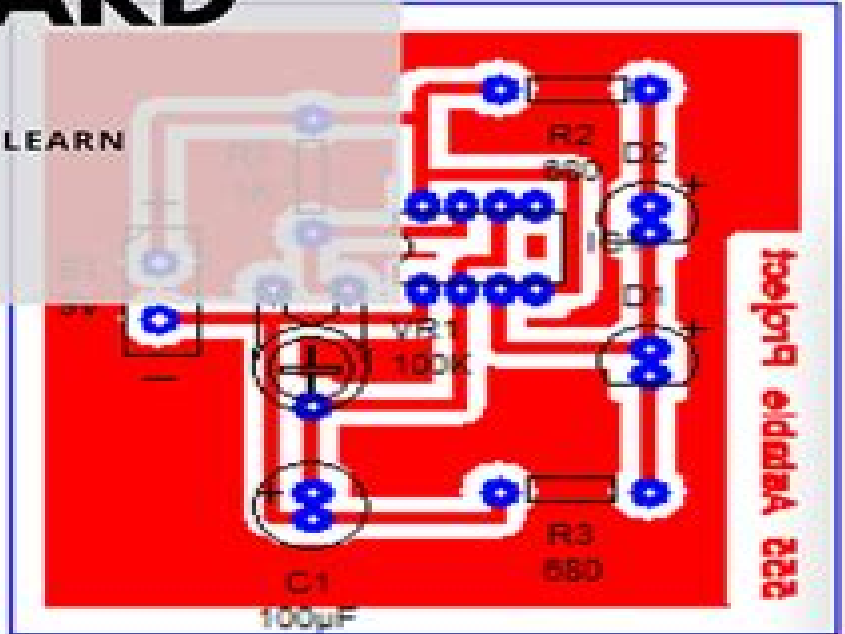


BY DANILLO CASIA

PCB WIZARD



I WANT LEARN



Pcb Wizard Tutorial 1

Sergio Gómez González



Pcb Wizard Tutorial 1:

Complete PCB Design Using OrCad Capture and Layout Kraig Mitzner, 2011-04-01 Complete PCB Design Using OrCad Capture and Layout provides instruction on how to use the OrCAD design suite to design and manufacture printed circuit boards The book is written for both students and practicing engineers who need a quick tutorial on how to use the software and who need in depth knowledge of the capabilities and limitations of the software package There are two goals the book aims to reach The primary goal is to show the reader how to design a PCB using OrCAD Capture and OrCAD Layout Capture is used to build the schematic diagram of the circuit and Layout is used to design the circuit board so that it can be manufactured The secondary goal is to show the reader how to add PSpice simulation capabilities to the design and how to develop custom schematic parts footprints and PSpice models Often times separate designs are produced for documentation simulation and board fabrication This book shows how to perform all three functions from the same schematic design This approach saves time and money and ensures continuity between the design and the manufactured product Information is presented in the exact order a circuit and PCB are designed Straightforward realistic examples present the how and why the designs work providing a comprehensive toolset for understanding the OrCAD software Introduction to the IPC JEDEC and IEEE standards relating to PCB design Full color interior and extensive illustrations allow readers to learn features of the product in the most realistic manner possible Complete PCB Design Using OrCAD Capture and PCB Editor Kraig

Mitzner, 2009-05-28 This book provides instruction on how to use the OrCAD design suite to design and manufacture printed circuit boards The primary goal is to show the reader how to design a PCB using OrCAD Capture and OrCAD Editor Capture is used to build the schematic diagram of the circuit and Editor is used to design the circuit board so that it can be manufactured The book is written for both students and practicing engineers who need in depth instruction on how to use the software and who need background knowledge of the PCB design process Beginning to end coverage of the printed circuit board design process Information is presented in the exact order a circuit and PCB are designed Over 400 full color illustrations including extensive use of screen shots from the software allow readers to learn features of the product in the most realistic manner possible Straightforward realistic examples present the how and why the designs work providing a comprehensive toolset for understanding the OrCAD software Introduces and follows IEEE IPC and JEDEC industry standards for PCB design Unique chapter on Design for Manufacture covers padstack and footprint design and component placement for the design of manufacturable PCB s FREE CD containing the OrCAD demo version and design files

Thermal Analysis with SolidWorks Simulation 2014 Paul Kurowski, 2014 Thermal Analysis with SolidWorks Simulation 2014 goes beyond the standard software manual It concurrently introduces the reader to thermal analysis and its implementation in SolidWorks Simulation using hands on exercises A number of projects are presented to illustrate thermal analysis and related topics Each chapter is designed to build on the skills and understanding gained from previous exercises

Thermal Analysis with SolidWorks Simulation 2014 is designed for users who are already familiar with the basics of Finite Element Analysis FEA using SolidWorks Simulation or who have completed the book Engineering Analysis with SolidWorks Simulation 2014 Thermal Analysis with SolidWorks Simulation 2014 builds on these topics in the area of thermal analysis Some understanding of FEA and SolidWorks Simulation is assumed **Desarrollo y Construcción de Prototipos**

Electrónicos Ángel Bueno Martín, Ana I. de Soto Gorroño, 2005-09-15 Este manual es una guía que proporciona instrucciones completas y detalladas para el uso de los programas OrCAD Capture Layout plus y LPKF CircuitCAM BoardMaster de diseño y construcción de prototipos electrónicos respectivamente Pretendemos familiarizar al lector con el entorno de trabajo CAD CAM electrónico a través del software propuesto Junto a las indicaciones que ayudan a adquirir la destreza en el manejo de las herramientas informáticas orientadas al diseño electrónico en este libro se dan una serie de consejos y observaciones de interés que facilitan el trabajo y aclaran las dudas que con frecuencia le surgen al principiante haciendo hincapié en la correcta obtención y presentación de resultados informes planos fotolitos etc Respecto a la metodología cabe destacar su carácter de tutorial es decir se propone un ejemplo que servirá de hilo conductor para ir completando las fases que conforman la base de datos del diseño Cada tema está desarrollado gradualmente explicando los comandos e instrucciones allí donde aparecen por vez primera Se acompañan numerosas ventanas pantallas aclaratorias aportaciones prácticas y explicaciones adicionales en aras de facilitar la comprensión de lo expuesto Se trata en definitiva de un método que ayuda en la realización de un trabajo organizado y eficaz que facilita la labor del profesor y el aprendizaje del alumno MATERIALES ADICIONALES EN APARTADO DE DESCARGAS DEL WEB MARCOMBO.COM *PC Mag*, 1993-06-29 PCMag.com is a leading authority on technology delivering Labs based independent reviews of the latest products and services Our expert industry analysis and practical solutions help you make better buying decisions and get more from technology

Byte, 1984 *Microtimes*, 1993-04 **Macworld**, 1989 **Sound & Vibration**, 2000 [PC/Computing](#), 1993-07

SolidWorks práctico II - 2.a edición Sergio Gómez González, 2024-06-19 Si es un estudiante o un diseñador novel que desea adentrarse en el diseño y validación de productos mecánicos con SolidWorks con el objetivo de crear máquinas mecanismos productos o modelos para impresión 3D ha llegado al libro indicado SolidWorks práctico II es una compilación de prácticas guiadas y ejercicios de examen diseñados por el autor para sus clases universitarias en la Universidad Politécnica de Cataluña EEBE UPC Estas prácticas abarcan una amplia gama de complementos como Routing Motion Simulation FlowSimulation Photoview SolidCAM DMFXpress entre otros El contenido del libro se caracteriza por su enfoque visual y práctico lo que facilita la lectura con abundantes ilustraciones que detallan las etapas necesarias para utilizar los complementos de SolidWorks en el diseño y validación de productos más eficientes seguros y económicos Además en el libro encontrar el código de acceso que le permitirá descargar de forma gratuita los contenidos adicionales desde www.marcombo.info que incluyen los modelos descritos a lo largo de la obra Esta segunda edición también cuenta con el acceso gratuito al Curso de

SolidWorks Simulation Flow Simulation y otros complementos Dicho curso est valorado en 35 y se compone de 54 videos con una duraci n total de 8 horas para que profundice en el entorno las aplicaciones y las funcionalidades de Solidworks el dise o de chapa met lica el dise o de moldes para inyecci n de pl sticos las simulaciones de inyecci n de pl sticos SolidWorks Plastics el dise o de estructura met lica y soldadura biblioteca de dise o y Toolbox PhotoViewer 360 imagen sint tica FeatureWorks SolidWorks Costing sostenibilidad FDMXpress entre otros Al finalizar el curso podr realizar un proyecto para conseguir la certificaci n de realizaci n del curso H gase con este libro y saque provecho de SolidWorks el software CAD CAM CAE que le permitir adem s de modelar piezas ensamblar conjuntos y crear planos validar sus dise os para realizar productos m s seguros y eficientes **PC Magazine** ,1993-06 *Applied Science & Technology Index* ,1997 **InfoWorld** ,1986

PCB Design & Layout For DIY Etching A B Lawal,2021-03-14 In this tutorial you will learn step by step how to use Ultiboard to route and make a single layer Printed Circuit Board layout that you can print out on paper Finally you will learn with demo videos a very inexpensive DIY method for transferring your layout to a Copper Clad board that you can etch and solder manually No heat transfer is involved After reading and completing the simple demo projects in this book you will learn many features of Ultiboard very fast and very effectively without getting overwhelmed You will not need to export any files or send gerbers to a PCB manufacturer fabricator We will be using the National Instruments Ultiboard and Multism PCB Design suite which I found to be the best among several others I have used Any of the versions 12 13 and 14 of this suite works perfectly well There is a link in this book for you to download a hassle free trial version of the suite that you can use for many days to learn and practice many projects of your own Merely having the Ultiboard user manual or referring to its help contents is far from sufficient in becoming a skillful PCB designer Therefore this book is extremely useful for building PCB design skills very fast First it will give you a big head start if you have never designed a PCB layout before Then it will teach you more advanced techniques you need to learn design and build anything from simple to complex PCB layouts using mostly Ultiboard Finally if you have questions or need further help I urge you to use the support link I provided in the last Chapter of this book I will get back to you very quickly *Complete PCB Design Using OrCAD Capture and PCB Editor* Kraig Mitzner,Bob Doe,Alexander Akulin,Anton Suponin,Dirk Müller,2019-06-20 Complete PCB Design Using OrCAD Capture and PCB Editor Second Edition provides practical instruction on how to use the OrCAD design suite to design and manufacture printed circuit boards Chapters cover how to Design a PCB using OrCAD Capture and OrCAD PCB Editor adding PSpice simulation capabilities to a design how to develop custom schematic parts how to create footprints and PSpice models and how to perform documentation simulation and board fabrication from the same schematic design This book is suitable for both beginners and experienced designers providing basic principles and the program s full capabilities for optimizing designs Companion sitehttps www elsevier com books and journals book companion 9780128176849 Presents a fully updated edition on OrCAD Capture Version 17 2 Combines the theoretical and practical parts of PCB design Includes

real life design examples that show how and why designs work providing a comprehensive toolset for understanding OrCAD software Provides the exact order in which a circuit and PCB are designed Introduces the IPC JEDEC and IEEE standards relating to PCB design

Printed Circuit Boards R. S. Khandpur, 2005-09-07 The printed circuit is the basic building block of the electronics hardware industry This is a comprehensive single volume self teaching guide to the art of printed circuit board design and fabrication covering the complete cycle of PCB creation design layout fabrication assembly and testing

Adopting the Beat of Term: An Mental Symphony within **Pcb Wizard Tutorial 1**

In a world consumed by displays and the ceaseless chatter of instant interaction, the melodic splendor and mental symphony produced by the written term usually disappear in to the backdrop, eclipsed by the constant noise and distractions that permeate our lives. But, set within the pages of **Pcb Wizard Tutorial 1** a wonderful literary prize full of natural emotions, lies an immersive symphony waiting to be embraced. Crafted by a wonderful composer of language, that fascinating masterpiece conducts viewers on a mental trip, skillfully unraveling the hidden songs and profound impact resonating within each carefully constructed phrase. Within the depths of this moving analysis, we can explore the book is central harmonies, analyze its enthralling writing design, and submit ourselves to the profound resonance that echoes in the depths of readers souls.

<https://py.bijouxmedusa.com/book/detail/Documents/download%20introduction%20to%20financial%20accounting%2010th%20edition.pdf>

Table of Contents Pcb Wizard Tutorial 1

1. Understanding the eBook Pcb Wizard Tutorial 1
 - The Rise of Digital Reading Pcb Wizard Tutorial 1
 - Advantages of eBooks Over Traditional Books
2. Identifying Pcb Wizard Tutorial 1
 - Exploring Different Genres
 - Considering Fiction vs. Non-Fiction
 - Determining Your Reading Goals
3. Choosing the Right eBook Platform
 - Popular eBook Platforms
 - Features to Look for in an Pcb Wizard Tutorial 1
 - User-Friendly Interface
4. Exploring eBook Recommendations from Pcb Wizard Tutorial 1

-
- Personalized Recommendations
 - Pcb Wizard Tutorial 1 User Reviews and Ratings
 - Pcb Wizard Tutorial 1 and Bestseller Lists
5. Accessing Pcb Wizard Tutorial 1 Free and Paid eBooks
 - Pcb Wizard Tutorial 1 Public Domain eBooks
 - Pcb Wizard Tutorial 1 eBook Subscription Services
 - Pcb Wizard Tutorial 1 Budget-Friendly Options
 6. Navigating Pcb Wizard Tutorial 1 eBook Formats
 - ePub, PDF, MOBI, and More
 - Pcb Wizard Tutorial 1 Compatibility with Devices
 - Pcb Wizard Tutorial 1 Enhanced eBook Features
 7. Enhancing Your Reading Experience
 - Adjustable Fonts and Text Sizes of Pcb Wizard Tutorial 1
 - Highlighting and Note-Taking Pcb Wizard Tutorial 1
 - Interactive Elements Pcb Wizard Tutorial 1
 8. Staying Engaged with Pcb Wizard Tutorial 1
 - Joining Online Reading Communities
 - Participating in Virtual Book Clubs
 - Following Authors and Publishers Pcb Wizard Tutorial 1
 9. Balancing eBooks and Physical Books Pcb Wizard Tutorial 1
 - Benefits of a Digital Library
 - Creating a Diverse Reading Collection Pcb Wizard Tutorial 1
 10. Overcoming Reading Challenges
 - Dealing with Digital Eye Strain
 - Minimizing Distractions
 - Managing Screen Time
 11. Cultivating a Reading Routine Pcb Wizard Tutorial 1
 - Setting Reading Goals Pcb Wizard Tutorial 1
 - Carving Out Dedicated Reading Time
 12. Sourcing Reliable Information of Pcb Wizard Tutorial 1

-
- Fact-Checking eBook Content of Pcb Wizard Tutorial 1
 - Distinguishing Credible Sources
13. Promoting Lifelong Learning
 - Utilizing eBooks for Skill Development
 - Exploring Educational eBooks
 14. Embracing eBook Trends
 - Integration of Multimedia Elements
 - Interactive and Gamified eBooks

Pcb Wizard Tutorial 1 Introduction

In today's digital age, the availability of Pcb Wizard Tutorial 1 books and manuals for download has revolutionized the way we access information. Gone are the days of physically flipping through pages and carrying heavy textbooks or manuals. With just a few clicks, we can now access a wealth of knowledge from the comfort of our own homes or on the go. This article will explore the advantages of Pcb Wizard Tutorial 1 books and manuals for download, along with some popular platforms that offer these resources. One of the significant advantages of Pcb Wizard Tutorial 1 books and manuals for download is the cost-saving aspect. Traditional books and manuals can be costly, especially if you need to purchase several of them for educational or professional purposes. By accessing Pcb Wizard Tutorial 1 versions, you eliminate the need to spend money on physical copies. This not only saves you money but also reduces the environmental impact associated with book production and transportation. Furthermore, Pcb Wizard Tutorial 1 books and manuals for download are incredibly convenient. With just a computer or smartphone and an internet connection, you can access a vast library of resources on any subject imaginable. Whether you're a student looking for textbooks, a professional seeking industry-specific manuals, or someone interested in self-improvement, these digital resources provide an efficient and accessible means of acquiring knowledge. Moreover, PDF books and manuals offer a range of benefits compared to other digital formats. PDF files are designed to retain their formatting regardless of the device used to open them. This ensures that the content appears exactly as intended by the author, with no loss of formatting or missing graphics. Additionally, PDF files can be easily annotated, bookmarked, and searched for specific terms, making them highly practical for studying or referencing. When it comes to accessing Pcb Wizard Tutorial 1 books and manuals, several platforms offer an extensive collection of resources. One such platform is Project Gutenberg, a nonprofit organization that provides over 60,000 free eBooks. These books are primarily in the public domain, meaning they can be freely distributed and downloaded. Project Gutenberg offers a wide range of classic literature, making it an excellent resource for literature enthusiasts. Another popular platform for Pcb Wizard Tutorial 1 books and

manuals is Open Library. Open Library is an initiative of the Internet Archive, a non-profit organization dedicated to digitizing cultural artifacts and making them accessible to the public. Open Library hosts millions of books, including both public domain works and contemporary titles. It also allows users to borrow digital copies of certain books for a limited period, similar to a library lending system. Additionally, many universities and educational institutions have their own digital libraries that provide free access to PDF books and manuals. These libraries often offer academic texts, research papers, and technical manuals, making them invaluable resources for students and researchers. Some notable examples include MIT OpenCourseWare, which offers free access to course materials from the Massachusetts Institute of Technology, and the Digital Public Library of America, which provides a vast collection of digitized books and historical documents. In conclusion, Pcb Wizard Tutorial 1 books and manuals for download have transformed the way we access information. They provide a cost-effective and convenient means of acquiring knowledge, offering the ability to access a vast library of resources at our fingertips. With platforms like Project Gutenberg, Open Library, and various digital libraries offered by educational institutions, we have access to an ever-expanding collection of books and manuals. Whether for educational, professional, or personal purposes, these digital resources serve as valuable tools for continuous learning and self-improvement. So why not take advantage of the vast world of Pcb Wizard Tutorial 1 books and manuals for download and embark on your journey of knowledge?

FAQs About Pcb Wizard Tutorial 1 Books

What is a Pcb Wizard Tutorial 1 PDF? A PDF (Portable Document Format) is a file format developed by Adobe that preserves the layout and formatting of a document, regardless of the software, hardware, or operating system used to view or print it. **How do I create a Pcb Wizard Tutorial 1 PDF?** There are several ways to create a PDF: Use software like Adobe Acrobat, Microsoft Word, or Google Docs, which often have built-in PDF creation tools. Print to PDF: Many applications and operating systems have a "Print to PDF" option that allows you to save a document as a PDF file instead of printing it on paper. Online converters: There are various online tools that can convert different file types to PDF. **How do I edit a Pcb Wizard Tutorial 1 PDF?** Editing a PDF can be done with software like Adobe Acrobat, which allows direct editing of text, images, and other elements within the PDF. Some free tools, like PDFescape or Smallpdf, also offer basic editing capabilities. **How do I convert a Pcb Wizard Tutorial 1 PDF to another file format?** There are multiple ways to convert a PDF to another format: Use online converters like Smallpdf, Zamzar, or Adobe Acrobats export feature to convert PDFs to formats like Word, Excel, JPEG, etc. Software like Adobe Acrobat, Microsoft Word, or other PDF editors may have options to export or save PDFs in different formats. **How do I password-protect a Pcb Wizard Tutorial 1 PDF?** Most PDF

editing software allows you to add password protection. In Adobe Acrobat, for instance, you can go to "File" -> "Properties" -> "Security" to set a password to restrict access or editing capabilities. Are there any free alternatives to Adobe Acrobat for working with PDFs? Yes, there are many free alternatives for working with PDFs, such as: LibreOffice: Offers PDF editing features. PDFsam: Allows splitting, merging, and editing PDFs. Foxit Reader: Provides basic PDF viewing and editing capabilities. How do I compress a PDF file? You can use online tools like Smallpdf, ILovePDF, or desktop software like Adobe Acrobat to compress PDF files without significant quality loss. Compression reduces the file size, making it easier to share and download. Can I fill out forms in a PDF file? Yes, most PDF viewers/editors like Adobe Acrobat, Preview (on Mac), or various online tools allow you to fill out forms in PDF files by selecting text fields and entering information. Are there any restrictions when working with PDFs? Some PDFs might have restrictions set by their creator, such as password protection, editing restrictions, or print restrictions. Breaking these restrictions might require specific software or tools, which may or may not be legal depending on the circumstances and local laws.

Find Pcb Wizard Tutorial 1 :

~~download introduction to financial accounting 10th edition~~

[dizimag](#)

[dna replication webquest answers](#)

dodge ram truck 1990 workshop repair service manual pdf
dacia duster 2009 2014 workshop repair service manual pdf

dreamworks dragons season 1 episode 1 kisscartoon

don t go back to school a handbook for learning anything rar

dynamic hedging managing vanilla and exotic options

[dominoes ariadnes story level 2](#)

[donald neamen solution manual 3rd edition](#)

dp bbm lucu bahasa jawa tengah

dr r s tripathi

e commerce 9th edition

~~double digit 2 annabel monaghan~~

dr seuss book set 6 the cat in the hat green eggs and ham are you my mother sam and the firefly abc the foot

book dr seuss collection

dracula black cat readers straty

Pcb Wizard Tutorial 1 :

der vfb hatte zwei fritz walter unnützes wissen über den vfb - Jun 17 2022

web sep 23 2023 vfb hatte zwei fritz walter unnützes wissen legendäre vfb spiele als der vfb die bayern besiegte der vfb hatte zwei fritz walter unnützes wissen über den vfb

der vfb hatte zwei fritz walter unnützes wissen u full pdf - Apr 15 2022

web 4 der vfb hatte zwei fritz walter unnützes wissen u 2022 04 13 lieblingsmannschaft nur einige facts und beispiele aus dem buch die geschichte von den gründerjahren

fritz walter fußballfunktionär wikipedia - Mar 27 2023

web fritz walter fußballfunktionär fritz walter 15 märz 1900 in cannstatt bei stuttgart 5 januar 1981 epitheton der doktor war studienrat und von 1944 bis 1968 präsident

vfb torjäger fritz walter wird 60 die kanon aus kurpfalz - Feb 23 2023

web jul 21 2020 zu seinem 60 geburtstag blickt der einstige vfb torjäger fritz walter auf ein erfülltes fußballerleben zurück und auf sprüche die ihn bis heute verfolgen

der vfb hatte zwei fritz walter unnützes wissen u chris dingess - Sep 20 2022

web as this der vfb hatte zwei fritz walter unnützes wissen u it ends happening visceral one of the favored book der vfb hatte zwei fritz walter unnützes wissen u

der vfb hatte zwei fritz walter unnützes wissen u 2023 - Oct 02 2023

web oct 23 2023 der vfb hatte zwei fritz walter unnützes wissen u straight as a wheel smoke valley mc k a merikan 2019 12 11 your secret s safe with me leo heller

der vfb hatte zwei fritz walter unnützes wissen u - Dec 12 2021

web der vfb hatte zwei fritz walter riva verlag die champions league feiert geburtstag im mai 2016 wird der 60 sieger gekürt mit dem fc bayern münchen dem hamburger sv

pdf der vfb hatte zwei fritz walter unnützes wissen über den - May 17 2022

web anarchismus theorie kritik utopie mit texten u a von godwin proudhon bakunin kropotkin malatesta landauer rocker goldman voline read goodman souchy

der vfb hatte zwei fritz walter unnützes wissen über den vfb - Sep 01 2023

web der vfb hatte zwei fritz walter unnützes wissen über den vfb stuttgart und andere bundesligavereine cataldo filippo isbn 9783868837414 kostenloser versand für

der vfb hatte zwei fritz walter unnützes wissen über den vfb - May 29 2023

web vfb stuttgart der vfb hatte zwei fritz walter unnützes wissen über den legendäre vfb spiele als der vfb die bayern

besiegte fußball 2 bundesliga fussball swr sport swr

der vfb hatte zwei fritz walter unnutzes wissen u copy - Jul 31 2023

web der vfb stuttgart hat ein bewegtes jahrzehnt hinter sich zwei abstiege zwei aufstiege 14 chefrainer in sieben jahren in dieser zeit war der vfb außergewöhnlich vielschichtigen

der vfb hatte zwei fritz walter unnutzes wissen u fernando - Apr 27 2023

web favored book der vfb hatte zwei fritz walter unnutzes wissen u collections that we have this is why you remain in the best website to see the unbelievable books to have

der vfb hatte zwei fritz walter unnutzes wissen u - Jul 19 2022

web der bogen spannt sich von dieser zeit über fritz walters erfolge bei der betreuung eines dorfvereins dem sv alsenborn 2500 einwohner der auf der leiter zur bundesliga

der vfb hatte zwei fritz walter unnutzes wissen u book - Aug 20 2022

web vfb hatte zwei fritz walter unnutzes wissen u that you are looking for it will entirely squander the time however below like you visit this web page it will be suitably

der vfb hatte zwei fritz walter unnützes wissen über den vfb - Nov 10 2021

web fritz walter unnutzes wissen der vfb hatte zwei fritz walter filippo cataldo 53639ac der vfb hatte zwei fritz walter unnutzes wissen der vfb hatte zwei fritz walter unnützes

meistertorjäger des vfb stuttgart so erlebte fritz walter das - Dec 24 2022

web may 15 2022 fritz walter meistertorjäger des vfb von 1992 wird vor dem spiel gegen köln im stadion zum jubiläum geehrt und hinterher von den emotionen mitgerissen

der vfb hatte zwei fritz walter unnutzes wissen u pdf ce - Oct 22 2022

web 2 der vfb hatte zwei fritz walter unnutzes wissen u 2023 02 09 60 jahre champions league riva verlag wenige monate vor ende des zweiten weltkrieges wird der autor

der vfb hatte zwei fritz walter unnutzes wissen u pdf 2023 - Jan 13 2022

web may 6 2023 web der vfb hatte zwei fritz walter unnutzes wissen u mythos fritz walter feb 18 2022 zehn jahre nach dem krieg wurde die waltermannschaft nach amerika

der vfb hatte zwei fritz walter unnützes wissen über den vfb - Mar 15 2022

web briefe an die eltern aus den jahren 1922 1924 pdf online böse spiele roman pdf kindle bücher mit aussicht wie ich das glück zwischen den zeilen fand allgemeine

der vfb hatte zwei fritz walter unnutzes wissen u full pdf - Feb 11 2022

web 2 der vfb hatte zwei fritz walter unnutzes wissen u 2021 01 05 geworden vom verpönten englischen mannschaftsspiel zu

beginn des jahrhunderts mauserte sich der

der vfb hatte zwei fritz walter unnutzes wissen u jaime rojo - Jun 29 2023

web profisportlerinnen sind begegnen sie den namensvettern von ronaldo jérôme boateng oder robert lewandowski den erfolgreichsten torhütern der welt und den maskottchen

der vfb hatte zwei fritz walter weltbild - Jan 25 2023

web bücher bei weltbild jetzt der vfb hatte zwei fritz walter von filippo cataldo versandkostenfrei online kaufen bei weltbild ihrem bücher spezialisten

der vfb hatte zwei fritz walter unnutzes wissen u - Nov 22 2022

web feb 27 2023 der vfb hatte zwei fritz walter unnutzes wissen u when people should go to the ebook stores search initiation by shop shelf by shelf it is in point of fact

boa nova portuguese edition pdf 2023 jenicalilly com - Mar 19 2023

web may 11 2023 you may not be perplexed to enjoy all book collections boa nova portuguese edition pdf that we will definitely offer it is not in the region of the costs its

home boa nova - Jan 05 2022

web boa nova r 55 00 r 44 00 à vista comprar adicionar ao carrinho adicionar à lista de desejos 20 off o que importa é o amor médium marcelo cezar ditado por marco

boa nova wikipedia - Dec 04 2021

web boa nova is a municipality in the state of bahia in the north east region of brazil the municipality contains part of the 12 065 hectares 29 810 acres boa nova national

boa nova portuguese edition uniport edu ng - Jul 11 2022

web apr 24 2023 boa nova portuguese edition 2 5 downloaded from uniport edu ng on april 24 2023 by guest the anthology in portugal patricia anne odber de baubeta 2007 this

boa nova portuguese edition by francisco cândido xavier - Feb 18 2023

web march 31st 2020 praia da boa nova rocks as with the intense proposal of the portuguese chef rui paula who plays with memory modern techniques and proximity

boa nova portuguese edition by francisco cândido xavier - Oct 02 2021

web customer reviews boa nova portuguese edition lvaro siza s plete archive is now available online bof the business of fashion o instalar traduo pt br no novo skyrim

boa nova portuguese edition xavier chico amazon com au - Apr 08 2022

web boa nova portuguese edition xavier chico on amazon com au free shipping on eligible orders boa nova portuguese edition

amazon com customer reviews boa nova portuguese edition - Nov 03 2021

web find helpful customer reviews and review ratings for boa nova portuguese edition at amazon com read honest and unbiased product reviews from our users

lula e biden convergência sobre trabalhadores haiti e reforma - Oct 14 2022

web sep 20 2023 durante encontro bilateral em nova york presidentes de brasil e eua se comprometeram a reforçar mecanismos que ajudem a colocar os trabalhadores e a

sentado ou de pé qual forma de trabalhar é melhor para a saúde - Nov 15 2022

web 21 hours ago reduzir ou interromper o tempo sentado ficando em pé ou em movimento pode melhorar a circulação sanguínea o metabolismo a saúde cardíaca a saúde

9788573284768 boa nova portuguese edition by francisco - May 09 2022

web boa nova portuguese edition by francisco cândido xavier isbn 13 9788573284768 isbn 10 8573284765 paperback federao esprita brasileira isbn 13 978 8573284768

boa nova portuguese edition autoconfig ablogtwatch com - Jul 23 2023

web boa nova portuguese edition 3 3 the guide provides all the insider tips every visitor needs from secluded beaches to elegant al fresco dining including listings of the best

boa nova portuguese edition by xavier chico ebay - Jun 10 2022

web find many great new used options and get the best deals for boa nova portuguese edition by xavier chico at the best online prices at ebay free shipping for many products

9788573287950 boa nova portuguese edition by chico - Aug 12 2022

web boa nova portuguese edition usedgood all orders ship by next business day this is a used paperback book has moderate wear on cover and or pages has markings on

boa nova portuguese edition book read summary - Jun 22 2023

web discover boa nova portuguese edition book an intriguing read explore boa nova portuguese edition in z library and find free summary reviews read online quotes

boa nova portuguese edition by chico xavier - Jan 17 2023

web find many great new used options and get the best deals for boa nova portuguese edition by chico xavier brand new at the best online prices at

anunciai a boa nova portuguese edition kindle edition - Feb 06 2022

web may 31 2012 buy anunciai a boa nova portuguese edition read kindle store reviews amazon com

boa nova tv boa nova - Mar 07 2022

web livros espíritas com os melhores preços é na boa nova acesse e compre agora central de atendimento meus pedidos meu cadastro lista de desejos whatsapp olá visitante

boa nova amazon com br - Apr 20 2023

web boa nova capa comum 3 junho 2019 com auxílio da psicografia de francisco cândido xavier o espírito humberto de campos apresenta 30 episódios relacionados ao cristo

boa nova portuguese edition by francisco candido - Dec 16 2022

web find many great new used options and get the best deals for boa nova portuguese edition by francisco candido xavier excellent condition at the

boa nova michaelis on line - May 21 2023

web boa nova bo a no va sf 1 notícia alvissareira de manhã à hora da visita do médico a irmã tinha um ar triunfante e apressou se em ir ao encontro do facultativo para dar lhe a

boa nova portuguese edition amazon com - Aug 24 2023

web jun 2 2014 boa nova portuguese edition paperback june 2 2014 portuguese edition by chico xavier author humberto de campos contributor 4 9 1 903 ratings

boa nova portuguese edition by francisco cândido xavier - Sep 01 2021

web reviews boa nova portuguese edition boa nova tea house domus domusweb it portuguese conquest of ormuz joo vigo hv grid supervision and control specialist a

boa nova coleção humberto de campos irmão x portuguese - Sep 13 2022

web apr 1 2013 boa nova coleção humberto de campos irmão x portuguese edition kindle edition by xavier francisco cândido campos espírito humberto de

battlefield of the mind updated edition by joyce meyer goodreads - Jul 14 2023

web jan 1 1995 72 381 ratings 1 601 reviews worry doubt confusion depression anger and feelings of condemnation all these are attacks on the mind if readers suffer from negative thoughts they can take heart joyce meyer has helped millions win these all

battlefield of the mind by joyce meyer audiobook audible com - Jan 28 2022

web joyce shares the trials tragedies and ultimate victories from her own marriage family and ministry that have led her to amazing life transforming truth and reveals her thoughts and feelings every step of the way 1995 joyce meyer

how to win daily battles of the mind joyce meyer - Apr 11 2023

web he comes against us by bombarding our minds with cleverly devised patterns of nagging thoughts that lead to suspicion doubt fear reasoning and theories that refute the truth of god s word when these thoughts get rooted in our minds then they

become strongholds that give the enemy control

pdf epub battlefield of the mind winning the battle in your mind - Apr 30 2022

web aug 11 2023 download battlefield of the mind winning the battle in your mind by joyce meyer in pdf epub format

complete free brief summary of book battlefield of the mind winning the battle in your mind by joyce meyer

battlefield of the mind winning the battle in your mind meyer - Oct 05 2022

web worry doubt confusion depression anger and feelings of condemnation all these are attacks on the mind if you suffer from negative thoughts take heart joyce meyer has helped millions win these all important battles and she can help you too

battlefield of the mind updated edition joyce meyer ministries - Dec 07 2022

web description features details worry confusion anger depression if any of these are a constant companion in your life there s a battle going on in your mind you re not alone though and the war isn t lost god wants to fight this for you and this book will teach you to gain control over your mind and find freedom and peace

battlefield of the mind book summary by joyce meyer shortform - Feb 26 2022

web in battlefield of the mind joyce meyer explains that the devil makes it his mission to corrupt our minds with negative thoughts luckily we have god on our side meyer shows us how we can thwart satan s attacks and find happiness and

battlefield of the mind winning the battle in your mind meyer joyce - Jun 13 2023

web battlefield of the mind winning the battle in your mind meyer joyce 9780446691093 amazon com books books christian books bibles christian living enjoy fast

battlefield of the mind joyce meyer ministries - Aug 03 2022

web battlefield limited time offer battlefield of the mind gift selection yours for a donation of any amount battlefield of the mind package select gift 90 or more battlefield of the mind study package select gift i do not want a gift i d like to give 30 50 90 150 delete this address cancel delete

battlefield of the mind winning the battle of your mind - Mar 10 2023

web buy battlefield of the mind winning the battle of your mind by meyer joyce isbn 9780340954225 from amazon s book store everyday low prices and free delivery on eligible orders

joyce meyer the battlefield of the mind youtube - Nov 06 2022

web dec 3 2019 joyce explains how important it is to know what our mind is capable of more more try youtube kids

battlefield of the mind quotes by joyce meyer goodreads - Sep 04 2022

web battlefield of the mind quotes showing 1 30 of 195 our past may explain why we re suffering but we must not use it as an excuse to stay in bondage joyce meyer battlefield of the mind winning the battle in your mind tags bondage past

battlefield of the mind study study joyce meyer ministries - Aug 15 2023

web battlefield of the mind study sign up now a war is raging and your mind is the battlefield if you ve ever dealt with things like worry doubt confusion depression anger condemnation you ve experienced firsthand the attacks in your mind

battlefield of the mind winning the battle in your mind meyer joyce - Jul 02 2022

web worry doubt confusion depression anger and feelings of condemnation all these are attacks on the mind if readers suffer from negative thoughts they can take heart joyce meyer has helped millions win these all important battles

battlefield of the mind winning the battle in your mind - Feb 09 2023

web mar 25 2008 battlefield of the mind winning the battle in your mind kindle edition by meyer joyce download it once and read it on your kindle device pc phones or tablets use features like bookmarks note taking and highlighting while reading

battlefield of the mind winning the battle in your mind

battlefield of the mind joyce meyer youtube - Jan 08 2023

web apr 30 2023 battlefield of the mind joyce meyer get rid of your stinkin thinking you have a responsibility to cast down wrong thoughts and replace them with what god says

battlefield of the mind by joyce meyer audiobook audible com - Mar 30 2022

web loving people who are hard to love by joyce meyer publisher s summary in celebration of selling 3 million copies faithwords is publishing a special edition of battlefield of the mind worry doubt confusion depression anger and feelings of condemnation all these are attacks on the mind

battlefield of the mind bible from joyce meyer - Jun 01 2022

web from joyce s bestselling book battlefield of the mind that will help you apply biblical truths to your life scripture based prayers to help you learn to think the way god thinks

[battlefield of the mind by joyce meyer 4 app store](#) - Dec 27 2021

web in celebration of selling 3 million copies faithwords is publishing a special expanded edition of battlefield of the mind this expanded audiobook edition includes an additional introduction read by joyce meyer the audiobook as read by pat lentz and updated content throughout the book it doe

part 1 be careful what you think joyce meyer ministries - May 12 2023

web be careful what you think in battlefield of the mind joyce writes for most of my life i didn t think about what i was thinking about i simply thought whatever fell into my head i had no revelation that satan could inject thoughts into my mind