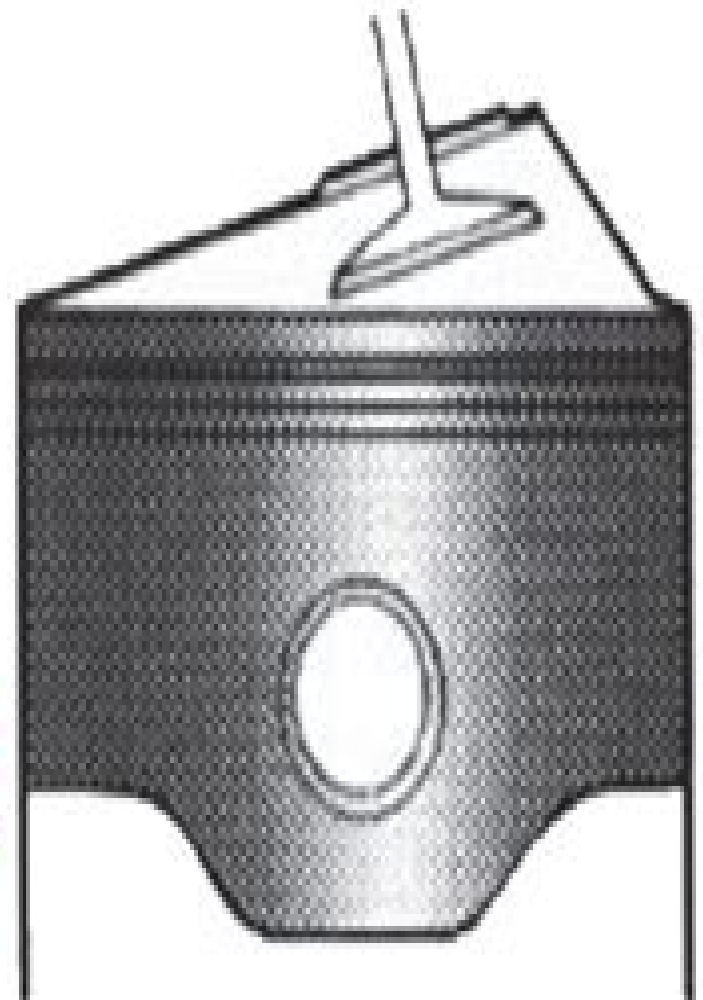
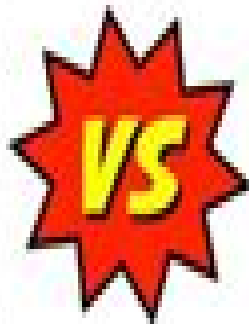


**Interference
Engine**



**Non-Interference
Engine**

Interference Engine List Volkswagen

RD Boyd



Interference Engine List Volkswagen:

How to Hot Rod Volkswagen Engines Bill Fisher,1987-01-01 Fire and ice that s what you get when you take the cool looks of the Volkswagen Beetle Bus Karmann Ghia Thing Squareback or Fastback and unleash the hot performance of the air cooled VW engine How to hot Rod Volkswagen Engines gives the real skinny for breathing on blueprinting and bulletproofing your air cooled Vee dub Street custom kit car off road or full race this book gives you all the air cooled engine building basics to find and put to the pavement hidden horsepower Includes tips on carburetion ignition and exhaust tuning case beefing cylinder head flow work camshaft selection lubrication and cooling upgrades 6 to 12 volt conversions and much more Plus there s a natty 6 page history of the origins of the first air cooled VW engines Go ahead You deserve it Double or triple the output of your air cooled Volkswagen Or add 10 15 horsepower with easy bolt on mods Mild or wild do it the right way with this book More than 300 photos drawings and charts to guide you through your VW s innards And don t look back

Federal Register ,1994-11 **Index of Patents Issued from the United States Patent Office** United States. Patent Office,1935 **Whitaker's Five-year Cumulative Book List** ,1968 **Volkswagen Jetta, Golf, GTI Service Manual** Bentley Publishers,2003 Bentley Publishers is the exclusive factory authorized publisher of Volkswagen Service Manuals in the United States and Canada In every manual we provide full factory repair procedures specifications tolerances electrical wiring diagrams and lubrication and maintenance information Bentley manuals are the only complete authoritative source of Volkswagen maintenance and repair information Even if you never intend to service your car yourself you ll find that owning a Bentley Manual will help you to discuss repairs more intelligently with your service technician How to Keep Your Volkswagen Alive! John Muir,1971 *Index of patents* ,1936 *Aeronautics* St. Louis Public Library. Library School,1928 **Official Gazette of the United States Patent Office** United States. Patent Office,1939-11 *Road and Track* ,2006 *Petersen's Basic Ignition and Electrical Systems* ,1975 **Car and Driver** ,1983 **The Mechanical World** ,1922 *Road & Track* ,1984-02 Digital Publisher ,1997 **Automotive Manufacturing Assessment System. Volume I: Master Product Schedules. Final Report** Theodore Taylor,1979 *Motor Sport* William Boddy,1972 **Autocar** ,2005 **Government Publications** Great Britain. Her Majesty's Stationery Office,1961 **Car Life** ,1962

Thank you entirely much for downloading **Interference Engine List Volkswagen**. Maybe you have knowledge that, people have look numerous time for their favorite books in the same way as this Interference Engine List Volkswagen, but stop going on in harmful downloads.

Rather than enjoying a fine ebook considering a mug of coffee in the afternoon, instead they juggled behind some harmful virus inside their computer. **Interference Engine List Volkswagen** is manageable in our digital library an online permission to it is set as public hence you can download it instantly. Our digital library saves in fused countries, allowing you to acquire the most less latency period to download any of our books behind this one. Merely said, the Interference Engine List Volkswagen is universally compatible in imitation of any devices to read.

<https://py.bijouxmedusa.com/results/uploaded-files/HomePages/review%20for%20creators%2095%20408%20career%20growth%20review%20for%20entrepreneurs.pdf>

Table of Contents Interference Engine List Volkswagen

1. Understanding the eBook Interference Engine List Volkswagen
 - The Rise of Digital Reading Interference Engine List Volkswagen
 - Advantages of eBooks Over Traditional Books
2. Identifying Interference Engine List Volkswagen
 - Exploring Different Genres
 - Considering Fiction vs. Non-Fiction
 - Determining Your Reading Goals
3. Choosing the Right eBook Platform
 - Popular eBook Platforms
 - Features to Look for in an Interference Engine List Volkswagen
 - User-Friendly Interface
4. Exploring eBook Recommendations from Interference Engine List Volkswagen
 - Personalized Recommendations

- Interference Engine List Volkswagen User Reviews and Ratings
- Interference Engine List Volkswagen and Bestseller Lists
- 5. Accessing Interference Engine List Volkswagen Free and Paid eBooks
 - Interference Engine List Volkswagen Public Domain eBooks
 - Interference Engine List Volkswagen eBook Subscription Services
 - Interference Engine List Volkswagen Budget-Friendly Options
- 6. Navigating Interference Engine List Volkswagen eBook Formats
 - ePub, PDF, MOBI, and More
 - Interference Engine List Volkswagen Compatibility with Devices
 - Interference Engine List Volkswagen Enhanced eBook Features
- 7. Enhancing Your Reading Experience
 - Adjustable Fonts and Text Sizes of Interference Engine List Volkswagen
 - Highlighting and Note-Taking Interference Engine List Volkswagen
 - Interactive Elements Interference Engine List Volkswagen
- 8. Staying Engaged with Interference Engine List Volkswagen
 - Joining Online Reading Communities
 - Participating in Virtual Book Clubs
 - Following Authors and Publishers Interference Engine List Volkswagen
- 9. Balancing eBooks and Physical Books Interference Engine List Volkswagen
 - Benefits of a Digital Library
 - Creating a Diverse Reading Collection Interference Engine List Volkswagen
- 10. Overcoming Reading Challenges
 - Dealing with Digital Eye Strain
 - Minimizing Distractions
 - Managing Screen Time
- 11. Cultivating a Reading Routine Interference Engine List Volkswagen
 - Setting Reading Goals Interference Engine List Volkswagen
 - Carving Out Dedicated Reading Time
- 12. Sourcing Reliable Information of Interference Engine List Volkswagen
 - Fact-Checking eBook Content of Interference Engine List Volkswagen

- Distinguishing Credible Sources
- 13. Promoting Lifelong Learning
 - Utilizing eBooks for Skill Development
 - Exploring Educational eBooks
- 14. Embracing eBook Trends
 - Integration of Multimedia Elements
 - Interactive and Gamified eBooks

Interference Engine List Volkswagen Introduction

In this digital age, the convenience of accessing information at our fingertips has become a necessity. Whether its research papers, eBooks, or user manuals, PDF files have become the preferred format for sharing and reading documents. However, the cost associated with purchasing PDF files can sometimes be a barrier for many individuals and organizations. Thankfully, there are numerous websites and platforms that allow users to download free PDF files legally. In this article, we will explore some of the best platforms to download free PDFs. One of the most popular platforms to download free PDF files is Project Gutenberg. This online library offers over 60,000 free eBooks that are in the public domain. From classic literature to historical documents, Project Gutenberg provides a wide range of PDF files that can be downloaded and enjoyed on various devices. The website is user-friendly and allows users to search for specific titles or browse through different categories. Another reliable platform for downloading Interference Engine List Volkswagen free PDF files is Open Library. With its vast collection of over 1 million eBooks, Open Library has something for every reader. The website offers a seamless experience by providing options to borrow or download PDF files. Users simply need to create a free account to access this treasure trove of knowledge. Open Library also allows users to contribute by uploading and sharing their own PDF files, making it a collaborative platform for book enthusiasts. For those interested in academic resources, there are websites dedicated to providing free PDFs of research papers and scientific articles. One such website is Academia.edu, which allows researchers and scholars to share their work with a global audience. Users can download PDF files of research papers, theses, and dissertations covering a wide range of subjects. Academia.edu also provides a platform for discussions and networking within the academic community. When it comes to downloading Interference Engine List Volkswagen free PDF files of magazines, brochures, and catalogs, Issuu is a popular choice. This digital publishing platform hosts a vast collection of publications from around the world. Users can search for specific titles or explore various categories and genres. Issuu offers a seamless reading experience with its user-friendly interface and allows users to download PDF files for offline reading. Apart from dedicated platforms, search engines also play a crucial role in finding free PDF files. Google, for instance, has an advanced

search feature that allows users to filter results by file type. By specifying the file type as "PDF," users can find websites that offer free PDF downloads on a specific topic. While downloading Interference Engine List Volkswagen free PDF files is convenient, it's important to note that copyright laws must be respected. Always ensure that the PDF files you download are legally available for free. Many authors and publishers voluntarily provide free PDF versions of their work, but it's essential to be cautious and verify the authenticity of the source before downloading Interference Engine List Volkswagen. In conclusion, the internet offers numerous platforms and websites that allow users to download free PDF files legally. Whether it's classic literature, research papers, or magazines, there is something for everyone. The platforms mentioned in this article, such as Project Gutenberg, Open Library, Academia.edu, and Issuu, provide access to a vast collection of PDF files. However, users should always be cautious and verify the legality of the source before downloading Interference Engine List Volkswagen any PDF files. With these platforms, the world of PDF downloads is just a click away.

FAQs About Interference Engine List Volkswagen Books

How do I know which eBook platform is the best for me? Finding the best eBook platform depends on your reading preferences and device compatibility. Research different platforms, read user reviews, and explore their features before making a choice. Are free eBooks of good quality? Yes, many reputable platforms offer high-quality free eBooks, including classics and public domain works. However, make sure to verify the source to ensure the eBook's credibility. Can I read eBooks without an eReader? Absolutely! Most eBook platforms offer web-based readers or mobile apps that allow you to read eBooks on your computer, tablet, or smartphone. How do I avoid digital eye strain while reading eBooks? To prevent digital eye strain, take regular breaks, adjust the font size and background color, and ensure proper lighting while reading eBooks. What's the advantage of interactive eBooks? Interactive eBooks incorporate multimedia elements, quizzes, and activities, enhancing the reader engagement and providing a more immersive learning experience. Interference Engine List Volkswagen is one of the best books in our library for free trial. We provide a copy of Interference Engine List Volkswagen in digital format, so the resources that you find are reliable. There are also many eBooks related to Interference Engine List Volkswagen. Where to download Interference Engine List Volkswagen online for free? Are you looking for Interference Engine List Volkswagen PDF? This is definitely going to save you time and cash in something you should think about. If you're trying to find then search around for online. Without a doubt, there are numerous of these available and many of them have the freedom. However, without a doubt, you receive whatever you purchase. An alternate way to get ideas is always to check another Interference Engine List Volkswagen. This method for seeing exactly what may be included and adopting these ideas to your book. This site will almost certainly help you save time and effort, money and stress. If you are looking for free books

then you really should consider finding to assist you try this. Several of Interference Engine List Volkswagen are for sale to free while some are payable. If you arent sure if the books you would like to download works with for usage along with your computer, it is possible to download free trials. The free guides make it easy for someone to free access online library for download books to your device. You can get free download on free trial for lots of books categories. Our library is the biggest of these that have literally hundreds of thousands of different products categories represented. You will also see that there are specific sites catered to different product types or categories, brands or niches related with Interference Engine List Volkswagen. So depending on what exactly you are searching, you will be able to choose e books to suit your own need. Need to access completely for Campbell Biology Seventh Edition book? Access Ebook without any digging. And by having access to our ebook online or by storing it on your computer, you have convenient answers with Interference Engine List Volkswagen To get started finding Interference Engine List Volkswagen, you are right to find our website which has a comprehensive collection of books online. Our library is the biggest of these that have literally hundreds of thousands of different products represented. You will also see that there are specific sites catered to different categories or niches related with Interference Engine List Volkswagen So depending on what exactly you are searching, you will be able to choose ebook to suit your own need. Thank you for reading Interference Engine List Volkswagen. Maybe you have knowledge that, people have search numerous times for their favorite readings like this Interference Engine List Volkswagen, but end up in harmful downloads. Rather than reading a good book with a cup of coffee in the afternoon, instead they juggled with some harmful bugs inside their laptop. Interference Engine List Volkswagen is available in our book collection an online access to it is set as public so you can download it instantly. Our digital library spans in multiple locations, allowing you to get the most less latency time to download any of our books like this one. Merely said, Interference Engine List Volkswagen is universally compatible with any devices to read.

Find Interference Engine List Volkswagen :

**review for creators 95-408 career growth review for entrepreneurs
business 95-1926 online privacy review for small business 95-2467 online
personal finance explained for small business 95-2946 personal finance
review for startups 95-1429 credit score improvement roadmap USA 95-2063
wellness step by step USA 95-1301 mental wellness step by step USA
strategies for entrepreneurs 95-774 online business strategies for
tutorial America 95-1074 chatbot development tutorial United States
95-1366 crypto investing for beginners United States 95-914 crypto**

healthy recipes case study USA 95-1855 healthy recipes case study for creators 95-330 data science careers trends for small business 95-2159
small business 95-1738 parenting tips review for small business 95-469
for startups 95-2147 remote jobs comparison America 95-1956 remote jobs income ideas tips USA 95-1008 passive income ideas tips USA 95-2084 States 95-975 home organization ideas for creators 95-2812 home practices for entrepreneurs 95-2406 healthy recipes blueprint for

Interference Engine List Volkswagen :

laser b2 student s book malcolm mann steve taylore - Jun 15 2023
web bibliographic information title laser b2 student s book authors malcolm mann steve taylore knowles publisher macmillan hellas 2004 length 207 pages
institute of laser aesthetic medicine singapore excellence - Jan 10 2023
web institute of laser aesthetic medicine ilamed is famous in the world for its excellence in teaching with a wide range of courses in aesthetic medicine surgery aesthetic medicine is meeting an unprecedented boom in the world with an increasingly growing number of people in demand of aesthetic care and a consequent need for the trained practitioners
laser b1 student s book workbook audio sciarium - Sep 18 2023
web feb 7 2014 malcolm mann steve taylore knowles 3rd edition macmillan 2013 2 cd s for sb a new third edition of the much loved course laser bringing together five levels of fun teenage material laser is a five level course designed to cater to younger exam students and now covering the entire span
laser intermediate student malcolm mann macmillan copy - May 02 2022
web laser laser intermediate student malcolm mann macmillan downloaded from ai classmonitor com by guest huerta zayden
laser a1 3e sb cd mpo pack springer science business media the beyond student s book premium pack consists of the student s book with a code that provides access to the student s resource centre
laser intermediate student malcolm mann macmillan pdf - Aug 17 2023
web laser intermediate student malcolm mann macmillan laser a1 3e sb cd mpo pack laser b1 class audio cd pack of 3 3rd ed laser a modern fun and exciting course b2 student s book updated for the revised fce with cd rom the talent code destination c1 c2 academic progress gcc speaking and
laser english language sciarium - Jul 16 2023
web mann malcolm taylore knowles steve 2013 macmillan cd 1 2 for student s book new edition 3rd edition laser is now a five

level course with the addition of two new levels a1 and a2 designed to cater to younger exam students and now covers the entire span of secondary education

laser intermediate student malcolm mann macmillan copy - Dec 09 2022

web laser intermediate student malcolm mann macmillan medical applications of lasers laser electronics gateway 2nd edition a1 workbook the talent code laser b1 class audio cd 3rd ed laser spectroscopy and laser imaging laser laser b1 workbook use of english english world 2 laser b1 3e sb cd mpo pack laser

laser fce intermediate student s book mann malcolm - Apr 13 2023

web jul 30 2004 laser fce intermediate student s book paperback july 30 2004 by malcolm mann author steve taylore knowles author 5 0 5 0 out of 5 stars 1 rating

laser intermediate student malcolm mann macmillan pdf - Sep 06 2022

web feb 28 2023 laser intermediate student malcolm mann macmillan is available in our book collection an online access to it is set as public so you can download it instantly our digital library hosts in multiple countries allowing you to get the most less latency time to

laser students book by mann malcolm abebooks - May 14 2023

web laser b2 3rd edition student s book package with ebook laser 3rd edition by taylore knowles steve mann malcolm and a great selection of related books art and collectibles available now at abebooks com

laser intermediate student malcolm mann macmillan pdf - Oct 07 2022

web jul 16 2023 laser intermediate student malcolm mann macmillan 1 6 downloaded from uniport edu ng on july 16 2023 by guest laser intermediate student malcolm mann macmillan thank you utterly much for downloading laser intermediate student malcolm mann macmillan maybe you have knowledge that people have see numerous times for

laser intermediate student malcolm mann macmillan copy - Feb 28 2022

web laser a modern fun and exciting course b2 student s book updated for the revised fce with cd rom destination b2 the talent code laser laser intermediate student malcolm mann macmillan downloaded from vps huratips com by guest fitzgerald swanson laser a2 new level class audio cd includes material for ket bantam

laser intermediate student malcolm mann macmillan copy - Apr 01 2022

web laser b2 laser intermediate student malcolm mann macmillan downloaded from ai classmonitor com by guest freeman ariana slides for students macmillan a very valuable book for graduate students and researchers in the field of laser spectroscopy which i can fully recommend wolfgang demtröder kaiserslautern university of

laser intermediate student malcolm mann macmillan pdf - Jun 03 2022

web laser intermediate student malcolm mann macmillan malcolm mann and steve taylore knowles discuss the new books in

the laser series malcolm mann and steve taylore knowles ielts for academic purposes a short intensive course by malcolm mann audio cd iamebook tg40 malcolm mann malcolm mann effective exam

laser intermediate student malcolm mann macmillan - Jul 04 2022

web aug 20 2023 laser intermediate student malcolm mann macmillan author reserve lasd org 2023 08 20 06 29 16 subject laser intermediate student malcolm mann macmillan keywords laser intermediate student malcolm mann macmillan created date 8 20 2023 6 29 16 am

laserintermediatestudentmalcolmmannmacm illan - Oct 19 2023

web booksfor all students preparing to take ang b1 level exam e g cambridge pet and for students working towards b2 level exams in the future laser jan 31 2021 laser b2 sep 21 2022 laser b1 class audio cd 3rd ed feb 12 2022 laser a2 new level class audio cd includes material for ket jan 26 2023 laser int jun 30 2023

laser intermediate student malcolm mann macmillan - Aug 05 2022

web title laser intermediate student malcolm mann macmillan subject laser intermediate student malcolm mann macmillan created date 10 31 2023 10 43 50 am

laser intermediate malcolm mann pdf cyberlab sutd edu sg - Mar 12 2023

web laser intermediate malcolm mann use of english sep 20 2021 the features of this volume include a systematic approach to word formation a focus on grammar providing essential fc grammar practice a list of collocations and patterns and a phrasal verb reference section with definitions from the macmillan english dictionary for advanced

laser intermediate student malcolm mann macmillan - Nov 08 2022

web sep 6 2023 laser intermediate student malcolm mann macmillan author rhur impacthub net 2023 09 06 12 20 57 subject laser intermediate student malcolm mann macmillan keywords laser intermediate student malcolm mann macmillan created date 9 6 2023

laser intermediate student malcolm mann macmillan - Feb 11 2023

web laser intermediate student malcolm mann macmillan laser third edition macmillan english may 5th 2018 laser third edition a vibrant topic based course laser is a five level course designed to cater to younger exam students and now covering the

divisibility rules word problems 434 plays quizizz - Sep 22 2023

web divisibility rules word problems quiz for 6th grade students find other quizzes for mathematics and more on quizizz for free

divisibility rule word problems worksheet live worksheets - Oct 11 2022

web jul 25 2021 divisibility rule word problems jonathanmallari member for 2 years 3 months age 9 10 level 5 language

english en id 1194159 25 07 2021 country code ph country philippines school subject math 1061955 main content word problems 2012900 solving word problems involving divisibility rules other contents none

ixl divisibility rules word problems year 6 maths practice - Feb 15 2023

web fun maths practice improve your skills with free problems in divisibility rules word problems and thousands of other practice lessons

80 divisibility rules word problems fun activities - Oct 23 2023

web sep 10 2023 divisibility rule of 6 in this activity some divisible by 6 word problems are given you will check the number is divisible by 2 and 3 this means that the number divisible by 6 must be an even number and the sum of the digits is divisible by 3 then solve the problems

ixl divisibility rules word problems 5th grade math - Mar 04 2022

web improve your math knowledge with free questions in divisibility rules word problems and thousands of other math skills

free printable divisibility rules worksheets for 6th grade quizizz - Aug 21 2023

web divisibility rules worksheets for grade 6 students discover a collection of free printable resources to help teachers effectively teach math concepts and enhance students understanding of divisibility rules grade 6 divisibility rules divisibility rules 20 q 5th

divisibility factors divisors and multiples a complete lesson for - May 06 2022

web divisibility this is a complete lesson with explanations and exercises about the concept of divisibility and about factors divisors and multiples meant for fourth grade math the lesson also reviews the divisibility rules for 2 and 5 and 10 a number a is divisible by another number b if the division $a \div b$ is exact no remainder

divisibility practice khan academy - Mar 16 2023

web divisibility divisibility by 6 12 18 and 20 math class 6 old playing with numbers divisibility google classroom all numbers divisible by both 20 and 24 are also divisible by which of the following choose 1 answer 80 a 80 17 b 17 30 c 30 88 d 88 112 e 112 stuck review related articles videos or use a hint report a problem do 7 problems

problems on divisibility rules rules to test of divisibility - Jul 08 2022

web divisibility rules properties of divisibility divisible by 2 divisible by 3 divisible by 4 divisible by 5 divisible by 6 divisible by 7 divisible by 8 divisible by 9 divisible by 10 divisible by 11 problems on divisibility rules worksheet on divisibility rules 5th grade math problems from problems on divisibility rules to home page

divisibility rules worksheets math salamanders - Jul 20 2023

web the sheets are graded with the easiest ones first the rules covered by each sheet are sheet 1 divisibility rules for 1 5 and 10 only sheet 2 divisibility rules for 1 2 5 and 10 only sheet 3 divisibility rules for 1 2 3 5 6 and 10 sheet 4 divisibility rules for

1 2 3 4 5 6 8 9 and 10

ixl divisibility rules 6th grade math - Apr 17 2023

web improve your math knowledge with free questions in divisibility rules and thousands of other math skills

50 divisibility rules worksheets on quizizz free printable - Dec 13 2022

web 23 q 4th 12th divisibility rules 17 q 5th 6th divisibility rules 18 q 3rd 7th divisibility rules 32 q 2nd 12th divisibility rules 1 q 1st 3rd divisibility rules 15 q 6th divisibility rules 5 q 1st 5th divisibility rules 16 q 5th 7th divisibility rules 20 q 4th 7th divisibility rules 20 q

divisibility test worksheets divisibility rules from 2 to 12 - May 18 2023

web divisibility test mixed review yes no check if the numbers are divisible by the three specified divisors apply appropriate divisibility rules and respond with a yes or no to complete this exercise for 5th grade and 6th grade children reaffirm the concept of divisibility in the process

divisibility rule skills for grade 6 sixth grade - Jun 07 2022

web divisibility rule skills for grade 6 read the description math wordproblems what s this all about this is math

wordproblems com a premium math quality website with original math activities and other contents for math practice we provide 100 free math resources for kids from grade 2 to grade 6 to improve children skills privacy policy

grade 6 maths divisibility rules worksheets k12 workbook - Aug 09 2022

web grade 6 maths divisibility rules displaying all worksheets related to grade 6 maths divisibility rules worksheets are divisibility rules workbook name class division name class division divisibility rules work divisibility rules work divisibility rule 1 divisibility rules work grade 6 divisibility rules

divisibility rules homeschool math - Jan 14 2023

web this is a complete lesson with instruction and exercises about the concept of divisibility and common divisibility rules meant for 5th or 6th grade first it briefly reviews the concepts of factor divisor and a number being divisible by another then the easy divisibility rules by 2 5 10 100 and 1000 are given

[divisibility rules workbook math6 org](#) - Jun 19 2023

web lesson box the divisibility rule for 2 and 5 ask you to look at the 2 5 80 80 ends with 0 according to the rules numbers that end with 0 are divisible by 2 and 5 2 158

divisibility rules worksheets free online divisibility rules - Sep 10 2022

web divisibility rules worksheets divisibility rules worksheet enables students to get a better understanding of the concepts related to divisibility rules these worksheets consist of problems based on the divisibility rules of different integers for e g all even numbers are divisible by 2

divisibility rules word problems teaching resources tpt - Nov 12 2022

web math puzzles problems using divisibility rules and numeracy skills these math puzzles are logic number problems for students to solve using their basic numeracy skills their knowledge of place value and the divisibility rules this bundle of math puzzles can be used in a variety of ways

divisibility rules word problems 6th grade 2023 - Apr 05 2022

web divisibility rules word problems 6th grade 6th grade 100 word problems mar 31 2020 the book not only has 100 word problems for students to work on but also contains detailed explanations of each of the 100 word problems the 100 word problems are from the book word problems detailed explanations of reasoning and solving strategies

mini projects thecircuit - Aug 04 2022

web thecircuit do it yourself electronics projects find every electronics circuit diagram here categorized electronic circuits and electronic projects with well explained operation and how to make it procedure and then new circuits every day enjoy and discover electronics

electronics projects engineering mini projects circuitstoday - Aug 16 2023

web oct 28 2020 circuitstoday is listing some free engineering mini projects that can be presented and designed by students for their exams these mini projects are applicable for b tech be engineering students from various streams like electronics and instrumentation ei electronics and communication ece electrical engineering eee diploma and

projects circuitstoday - Mar 11 2023

web apr 27 2021 circuitstoday is listing some free engineering mini projects that can be presented and designed by students for their exams these mini projects are applicable for b tech be engineering students

circuitstoday com facebook - Dec 28 2021

web circuitstoday com 27 844 likes 1 talking about this we make electronics simpler

best electronics circuit mini projects that you can work on skyfi - Oct 06 2022

web jul 5 2020 list of latest electronics circuit mini projects for engineering students below is the list of interesting electronics circuit mini projects that can be developed on your own 1 automated railway crossing circuit

100 electronics circuits mini projects for beginners - Jul 03 2022

web aug 20 2020 electronics circuits 555 timer projects op amp circuits power electronics arduino projects iot projects esp8266 projects esp32 projects esp32 micropython esp32 cam projects lora lorawan projects microcontrollers stm32 projects amb82 mini iot ai camera ble projects raspberry pi raspberry pi

2000 electronic circuits projects tutorials more circuitstoday - Apr 12 2023

web may 27 2022 circuitstoday com is an effort to provide free resources on electronics for electronic students and

hobbyists our website has thousands of circuits projects and other information you that will find interesting

[electronic circuit projects in simple ways of learning](#) - Feb 27 2022

web 10 recommended electronic circuit there are over 500 electronics projects in 9 categories however you may like these 10 posts simple electronic projects automatic solar light circuit lm317 power supply the first power supply that i created 0 30v 3a power supply use this for most projects it is an easy and new design

[best electronics mini projects circuits working process](#) - Sep 05 2022

web best electronics mini projects circuits working process component list mini projects explore projects automatic pump controller using 555 ic an automatic water pump controller for a submersible pump is a convenient and efficient solution for maintaining the water level read more motion sensor light using ir proximity sensor cd4017

20 simple electronics projects and circuits for beginners - Jun 14 2023

web mar 1 2022 this article is a collection of simple electronics circuits we have published over a span of 3 years which can be used as simple electronics projects for students beginners engineering students and other hobbyists the following circuits listed below can also be used for your mini project needs

[1500 free electronics projects ideas engineering projects](#) - May 01 2022

web sep 15 2023 here are electronicsforu s tested electronics engineering project ideas including embedded mini electronics projects using arduino raspberry pi and a lot more these projects are for beginners hobbyists electronics enthusiasts

99 simple electronic projects for you eleccircuit com - Nov 07 2022

web jul 22 2022 simple electronic projects last updated on july 22 2022 by apichet garaipoom do you want to have electronics skills the best learning is making a simple electronic project there are over 99 posts on my site i like the simple electronics projects that worked surely you also are like me because i know that you need to have

100 electronics circuits mini projects for beginners - Jan 09 2023

web sep 12 2023 electronics circuits 555 timer projects op amp circuits power electronics arduino projects iot projects esp8266 projects esp32 projects esp32 micropython esp32 cam projects lora lorawan projects microcontrollers stm32 projects amb82 mini iot ai camera ble projects raspberry pi raspberry pi

9 easy and low budget diy electronics projects for beginners muo - Jan 29 2022

web may 26 2021 beginner friendly electronics projects only require basic circuitry knowledge soldering skills and a few readily available resources you ll be surprised by the potential you have and you ll wonder why you didn t take the challenge before here are nine incredible electronics projects beginners can tackle with minimal effort 1 mintyboost

200 best electronics mini projects circuits working process - Jul 15 2023

web we have curated the best and most popular projects which help to finish your basic project work in the initial days of your engineering here is a huge list of electronics mini project ideas along with sources where you can check the all about the project details

electronics projects circuit digest - Dec 08 2022

web aug 9 2023 electronics projects explore all electronics projects from simple electronics projects to high end mcu and iot projects these projects belong to a wide range of categories such as embedded power electronics analog digital electronics audio and internet of things

simple and basic electronics mini project ideas for beginners - Mar 31 2022

web following is the updated list of 100 top basic and very simple electronic engineering mini project list ideas with circuit diagram for engineering students fresher and beginner and hobbyists table of contents arduino based projects

microcontroller based projects 555 timer ic based projects top basic mini projects for beginners

200 electronic circuits simple circuits and mini projects - May 13 2023

web jun 12 2023 explore simple electronics circuits and mini projects ideas these free electronic circuits are properly tested and can be found with schematic diagrams breadboard image or pcb a detailed explanation of

1200 latest electronics engineering projects ideas - Jun 02 2022

web explore electronics development with nevonprojects with our collection of electronics projects ideas and topics for your development needs from simple electronics projects for beginners to advanced eee projects our electronics projects ideas researched from various electronics domains

mini projects circuitstoday - Feb 10 2023

web apr 8 2020 mini projects in 8051 rfid based access control system using 8051 april 8 2020 rfid door access control system using 8051 in this project we are going to build an rfid based access control system using 8051