

# Activity - Practice with Complex Circuits

$$V = IR$$

## Part I

In the circuits below, the voltage of the battery is 12 V and each resistor is 2 Ω. For each circuit:

- Describe the circuit and any assumptions you make. Which resistors are in series? Which are in parallel?
- Calculate the current through each resistor and the voltage across each resistor.

$$\text{Total: } 8 + 2 = 10$$

$$\text{Series} = 2 + 2 + 2 + 2 = 8 \Omega$$

$$\text{Parallel} = \frac{1}{2} = 2 \Omega$$

$$V = IR \rightarrow I = \frac{V}{R} = \frac{12}{10} = 1.2 \text{ A}$$

$$A = \frac{2 \Omega}{4.67} (12)$$

5.13

$$2 + 2 = 4 \Omega \text{ (series)} \quad \frac{1}{2} + \frac{1}{2} + \frac{1}{2} = \frac{3}{2} = \frac{2}{3} \text{ (parallel)}$$

$$4 + \frac{2}{3} = 4.67 \Omega = \text{total}$$

$$V = IR$$

$$I = \frac{V}{R} = \frac{12}{4.67}$$

$$I = 2.57$$

$$\frac{2.57 \text{ A}}{3} = 0.86 \text{ A}$$

$$V = IR$$

$$V = (0.86) \left(\frac{2}{3}\right)$$

$$V = 0.57 \text{ V}$$

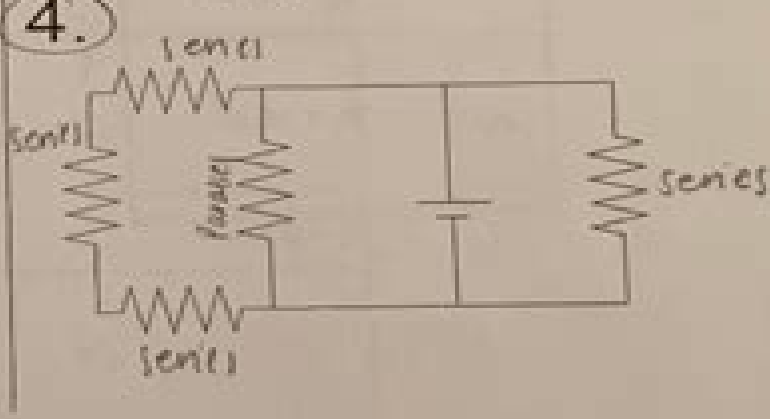
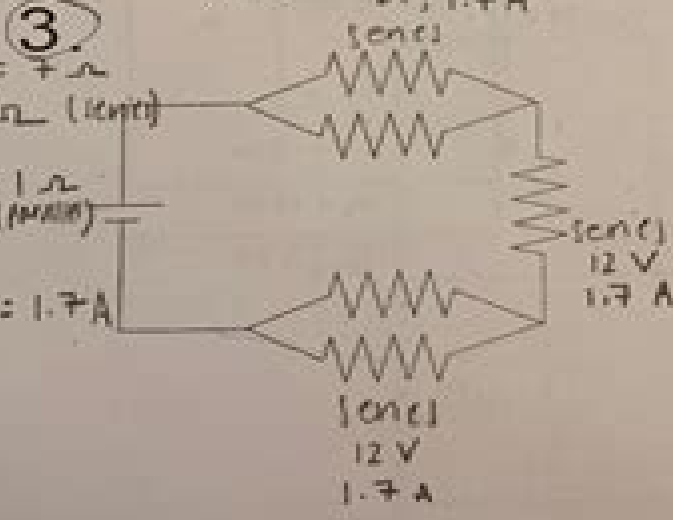
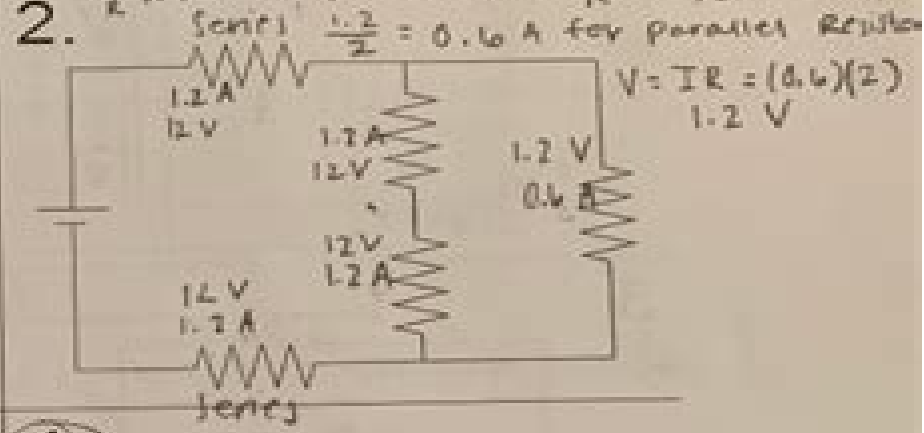
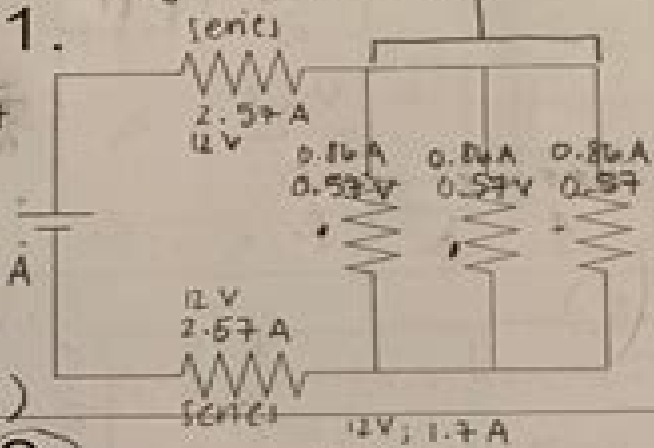
$$\text{Total } R = 6 + 1 = 7 \Omega$$

$$2 + 2 + 2 = 6 \Omega \text{ (series)}$$

$$\frac{1}{2} + \frac{1}{2} = \frac{2}{2} = 1 \Omega \text{ (parallel)}$$

$$V = IR$$

$$I = \frac{V}{R} = \frac{12}{7} = 1.7 \text{ A}$$



# Complex Circuit Problems And Solutions

**Anthony S. Fauci**



## **Complex Circuit Problems And Solutions:**

**Electric Circuit Problems with Solutions** F. A. Benson, 2012-12-06 Electrical engineering and electronic engineering students have frequently to resolve and simplify quite complex circuits in order to understand them or to obtain numerical results and a sound knowledge of basic circuit theory is therefore essential The author is very much in favour of tutorials and the solving of problems as a method of education Experience shows that many engineering students encounter difficulties when they first apply their theoretical knowledge to practical problems Over a period of about twenty years the author has collected a large number of problems on electric circuits while giving lectures to students attending the first two post intermediate years of University engineering courses The purpose of this book is to present these problems a total of 365 together with many solutions some problems with answers given at the end of each Chapter are left as student exercises in the hope that they will prove of value to other teachers and students Solutions are separated from the problems so that they will not be seen by accident The answer is given at the end of each problem however for convenience Parts of the book are based on the author's previous work *Electrical Engineering Problems with Solutions* which was published in 1954

**Electric Circuit Problems with Solutions** F. A. Benson, 1975-04-24 Electrical engineering and electronic engineering students have frequently to resolve and simplify quite complex circuits in order to understand them or to obtain numerical results and a sound knowledge of basic circuit theory is therefore essential The author is very much in favour of tutorials and the solving of problems as a method of education Experience shows that many engineering students encounter difficulties when they first apply their theoretical knowledge to practical problems Over a period of about twenty years the author has collected a large number of problems on electric circuits while giving lectures to students attending the first two post intermediate years of University engineering courses The purpose of this book is to present these problems a total of 365 together with many solutions some problems with answers given at the end of each Chapter are left as student exercises in the hope that they will prove of value to other teachers and students Solutions are separated from the problems so that they will not be seen by accident The answer is given at the end of each problem however for convenience Parts of the book are based on the author's previous work *Electrical Engineering Problems with Solutions*, which was published in 1954

**Practical Synthesis of High-Performance Analog Circuits** Emil S. Ochotta, Tamal Mukherjee, Rob A. Rutenbar, L. Richard Carley, 2012-12-06 *Practical Synthesis of High Performance Analog Circuits* presents a technique for automating the design of analog circuits Market competition and the astounding pace of technological innovation exert tremendous pressure on circuit design engineers to turn ideas into products quickly and get them to market In digital Application Specific Integrated Circuit ASIC design computer aided design CAD tools have substantially eased this pressure by automating many of the laborious steps in the design process thereby allowing the designer to maximise his design expertise But the world is not solely digital Cellular telephones magnetic disk drives neural networks and speech recognition systems are a few of the

recent technological innovations that rely on a core of analog circuitry and exploit the density and performance of mixed analog digital ASICs To maximize profit these mixed signal ASICs must also make it to market as quickly as possible However although the engineer working on the digital portion of the ASIC can rely on sophisticated CAD tools to automate much of the design process there is little help for the engineer working on the analog portion of the chip With the exception of simulators to verify the circuit design when it is complete there are almost no general purpose CAD tools that an analog design engineer can take advantage of to automate the analog design flow and reduce his time to market Practical Synthesis of High Performance Analog Circuits presents a new variation tolerant analog synthesis strategy that is a significant step towards ending the wait for a practical analog synthesis tool A new synthesis strategy is presented that can fully automate the path from a circuit topology and performance specifications to a sized variation tolerant circuit schematic This strategy relies on asymptotic waveform evaluation to predict circuit performance and simulated annealing to solve a novel non linear infinite programming optimization formulation of the circuit synthesis problem via a sequence of smaller optimization problems Practical Synthesis of High Performance Analog Circuits will be of interest to analog circuit designers CAD EDA industry professionals academics and students **University of Colorado Catalogue** University of Colorado,1929 Bulletin University of Colorado Boulder,1928 *Electric Circuit Problems* Frank Atkinson Benson,1967 *Numerical Methods for Nonlinear Engineering Models* John R. Hauser,2009-03-24 There are many books on the use of numerical methods for solving engineering problems and for modeling of engineering artifacts In addition there are many styles of such presentations ranging from books with a major emphasis on theory to books with an emphasis on applications The purpose of this book is hopefully to present a somewhat different approach to the use of numerical methods for engineering applications Engineering models are in general nonlinear models where the response of some appropriate engineering variable depends in a nonlinear manner on the plication of some independent parameter It is certainly true that for many types of engineering models it is sufficient to approximate the real physical world by some linear model However when engineering environments are pushed to treme conditions nonlinear effects are always encountered It is also such treme conditions that are of major importance in determining the reliability or failure limits of engineering systems Hence it is essential than engineers have a toolbox of modeling techniques that can be used to model nonlinear engineering systems Such a set of basic numerical methods is the topic of this book For each subject area treated nonlinear models are incorporated into the discussion from the very beginning and linear models are simply treated as special cases of more general nonlinear models This is a basic and fundamental difference in this book from most books on numerical methods *Proceedings of the Twenty-Third Annual Conference of the Cognitive Science Society* Johanna D. Moore,Keith Stenning,2001 Vol includes all papers and posters presented at 2001 Cog Sci Mtg summaries of symposia invited addresses Deals w issues of repres model g cog processes Appeals to scholars in subdisciplines that comprise Cog Sci Psych Computr Sci Neuro Lin *Catalogue Number* University

of Colorado,1930 A Top-down Design Solution for Improved Testability in High Performance Circuits and Systems  
Huoy-Yu Liou,1995 **New Technical Books** ,1926 Electronic Circuits David Paul Casasent,1973 **Electrical World**  
,1928 **Fundamentals of Circuits, Electronics, and Signal Analysis** Kendall Ling-chiao Su,1978 Evolvable  
Systems: From Biology to Hardware Gregory S. Hornby,Lukas Sekanina,Pauline C. Haddow,2008-09-28 This book constitutes  
the refereed proceedings of the 8th International Conference on Evolvable Systems ICES 2008 held in Prague Czech  
Republic in September 2008 The 28 revised full papers and 14 revised poster papers presented were carefully reviewed and  
selected from 52 submissions The papers are organized in topical sections on evolution of analog circuits evolution of digital  
circuits hardware software codesign and platforms for adaptive systems evolutionary robotics development real world  
applications evolutionary networking evolvable artificial neural networks and transistor level circuit evolution

**Fundamental Principles of Electric and Magnetic Circuits** Fred Alan Fish,1928 **Special Report** Great Britain.  
Radio Research Board,1929 **Free Night School of Engineering** Cooper Union for the Advancement of Science and Art.  
School of Engineering,1928 *The Analysis and Design of Linear Circuits* Roland E. Thomas,Albert J. Rosa,Gregory J.  
Toussaint,2020-07-15 While most texts focus on how and why electric circuits work *The Analysis and Design of Linear*  
*Circuits* taps into engineering students desire to explore create and put their learning into practice Students from across  
disciplines will gain a practical in depth understanding of the fundamental principles underlying so much of modern everyday  
technology Early focus on the analysis design and evaluation of electric circuits promotes the development of design intuition  
by allowing students to test their designs in the context of real world constraints and practical situations This updated Ninth  
Edition features an emphasis on the use of computer software including Excel MATLAB and Multisim building a real world  
problem solving style that reflects that of practicing engineers Software skills are integrated with examples and exercises  
throughout the text and coverage of circuit design and evaluation frequency response mutual inductance ac power circuits  
and other central topics has been revised for clarity and ease of understanding With an overarching goal of instilling smart  
judgement surrounding design problems and innovative solutions this unique text provides inspiration and motivation  
alongside an essential knowledge base **On Growth, Form and Computers** Sanjeev Kumar,Peter J. Bentley,2003-10-03  
Conceived for both computer scientists and biologists alike this collection of 22 essays highlights the important new role that  
computers play in developmental biology research Essays show how through computer modeling researchers gain further  
insight into developmental processes Featured essays also cover their use in designing computer algorithms to tackle  
computer science problems in areas like neural network design robot control evolvable hardware and more Peter Bentley  
noted for his prolific research on evolutionary computation and Sanjeev Kumar head up a respected team to guide readers  
through these very complex and fascinating disciplines Covers both developmental biology and computational development  
the only book of its kind Provides introductory material and more detailed information on BOTH disciplines Includes

contributions from Richard Dawkins Lewis Wolpert Ian Stewart and many other experts

Immerse yourself in heartwarming tales of love and emotion with Crafted by is touching creation, Experience Loveis Journey in **Complex Circuit Problems And Solutions** . This emotionally charged ebook, available for download in a PDF format ( PDF Size: \*), is a celebration of love in all its forms. Download now and let the warmth of these stories envelop your heart.

<https://py.bijouxmedusa.com/About/book-search/index.jsp/lotus%20exige%20engine%20manual.pdf>

## **Table of Contents Complex Circuit Problems And Solutions**

1. Understanding the eBook Complex Circuit Problems And Solutions
  - The Rise of Digital Reading Complex Circuit Problems And Solutions
  - Advantages of eBooks Over Traditional Books
2. Identifying Complex Circuit Problems And Solutions
  - Exploring Different Genres
  - Considering Fiction vs. Non-Fiction
  - Determining Your Reading Goals
3. Choosing the Right eBook Platform
  - Popular eBook Platforms
  - Features to Look for in an Complex Circuit Problems And Solutions
  - User-Friendly Interface
4. Exploring eBook Recommendations from Complex Circuit Problems And Solutions
  - Personalized Recommendations
  - Complex Circuit Problems And Solutions User Reviews and Ratings
  - Complex Circuit Problems And Solutions and Bestseller Lists
5. Accessing Complex Circuit Problems And Solutions Free and Paid eBooks
  - Complex Circuit Problems And Solutions Public Domain eBooks
  - Complex Circuit Problems And Solutions eBook Subscription Services
  - Complex Circuit Problems And Solutions Budget-Friendly Options
6. Navigating Complex Circuit Problems And Solutions eBook Formats

- ePub, PDF, MOBI, and More
  - Complex Circuit Problems And Solutions Compatibility with Devices
  - Complex Circuit Problems And Solutions Enhanced eBook Features
7. Enhancing Your Reading Experience
    - Adjustable Fonts and Text Sizes of Complex Circuit Problems And Solutions
    - Highlighting and Note-Taking Complex Circuit Problems And Solutions
    - Interactive Elements Complex Circuit Problems And Solutions
  8. Staying Engaged with Complex Circuit Problems And Solutions
    - Joining Online Reading Communities
    - Participating in Virtual Book Clubs
    - Following Authors and Publishers Complex Circuit Problems And Solutions
  9. Balancing eBooks and Physical Books Complex Circuit Problems And Solutions
    - Benefits of a Digital Library
    - Creating a Diverse Reading Collection Complex Circuit Problems And Solutions
  10. Overcoming Reading Challenges
    - Dealing with Digital Eye Strain
    - Minimizing Distractions
    - Managing Screen Time
  11. Cultivating a Reading Routine Complex Circuit Problems And Solutions
    - Setting Reading Goals Complex Circuit Problems And Solutions
    - Carving Out Dedicated Reading Time
  12. Sourcing Reliable Information of Complex Circuit Problems And Solutions
    - Fact-Checking eBook Content of Complex Circuit Problems And Solutions
    - Distinguishing Credible Sources
  13. Promoting Lifelong Learning
    - Utilizing eBooks for Skill Development
    - Exploring Educational eBooks
  14. Embracing eBook Trends
    - Integration of Multimedia Elements
    - Interactive and Gamified eBooks

### Complex Circuit Problems And Solutions Introduction

In today's digital age, the availability of Complex Circuit Problems And Solutions books and manuals for download has revolutionized the way we access information. Gone are the days of physically flipping through pages and carrying heavy textbooks or manuals. With just a few clicks, we can now access a wealth of knowledge from the comfort of our own homes or on the go. This article will explore the advantages of Complex Circuit Problems And Solutions books and manuals for download, along with some popular platforms that offer these resources. One of the significant advantages of Complex Circuit Problems And Solutions books and manuals for download is the cost-saving aspect. Traditional books and manuals can be costly, especially if you need to purchase several of them for educational or professional purposes. By accessing Complex Circuit Problems And Solutions versions, you eliminate the need to spend money on physical copies. This not only saves you money but also reduces the environmental impact associated with book production and transportation. Furthermore, Complex Circuit Problems And Solutions books and manuals for download are incredibly convenient. With just a computer or smartphone and an internet connection, you can access a vast library of resources on any subject imaginable. Whether you're a student looking for textbooks, a professional seeking industry-specific manuals, or someone interested in self-improvement, these digital resources provide an efficient and accessible means of acquiring knowledge. Moreover, PDF books and manuals offer a range of benefits compared to other digital formats. PDF files are designed to retain their formatting regardless of the device used to open them. This ensures that the content appears exactly as intended by the author, with no loss of formatting or missing graphics. Additionally, PDF files can be easily annotated, bookmarked, and searched for specific terms, making them highly practical for studying or referencing. When it comes to accessing Complex Circuit Problems And Solutions books and manuals, several platforms offer an extensive collection of resources. One such platform is Project Gutenberg, a nonprofit organization that provides over 60,000 free eBooks. These books are primarily in the public domain, meaning they can be freely distributed and downloaded. Project Gutenberg offers a wide range of classic literature, making it an excellent resource for literature enthusiasts. Another popular platform for Complex Circuit Problems And Solutions books and manuals is Open Library. Open Library is an initiative of the Internet Archive, a non-profit organization dedicated to digitizing cultural artifacts and making them accessible to the public. Open Library hosts millions of books, including both public domain works and contemporary titles. It also allows users to borrow digital copies of certain books for a limited period, similar to a library lending system. Additionally, many universities and educational institutions have their own digital libraries that provide free access to PDF books and manuals. These libraries often offer academic texts, research papers, and technical manuals, making them invaluable resources for students and researchers. Some notable examples include MIT OpenCourseWare, which offers free access to course materials from the Massachusetts Institute of Technology, and the Digital Public Library of America, which provides a vast collection of digitized books and historical documents. In conclusion, Complex Circuit

Problems And Solutions books and manuals for download have transformed the way we access information. They provide a cost-effective and convenient means of acquiring knowledge, offering the ability to access a vast library of resources at our fingertips. With platforms like Project Gutenberg, Open Library, and various digital libraries offered by educational institutions, we have access to an ever-expanding collection of books and manuals. Whether for educational, professional, or personal purposes, these digital resources serve as valuable tools for continuous learning and self-improvement. So why not take advantage of the vast world of Complex Circuit Problems And Solutions books and manuals for download and embark on your journey of knowledge?

### **FAQs About Complex Circuit Problems And Solutions Books**

How do I know which eBook platform is the best for me? Finding the best eBook platform depends on your reading preferences and device compatibility. Research different platforms, read user reviews, and explore their features before making a choice. Are free eBooks of good quality? Yes, many reputable platforms offer high-quality free eBooks, including classics and public domain works. However, make sure to verify the source to ensure the eBook credibility. Can I read eBooks without an eReader? Absolutely! Most eBook platforms offer web-based readers or mobile apps that allow you to read eBooks on your computer, tablet, or smartphone. How do I avoid digital eye strain while reading eBooks? To prevent digital eye strain, take regular breaks, adjust the font size and background color, and ensure proper lighting while reading eBooks. What the advantage of interactive eBooks? Interactive eBooks incorporate multimedia elements, quizzes, and activities, enhancing the reader engagement and providing a more immersive learning experience. Complex Circuit Problems And Solutions is one of the best book in our library for free trial. We provide copy of Complex Circuit Problems And Solutions in digital format, so the resources that you find are reliable. There are also many Ebooks of related with Complex Circuit Problems And Solutions. Where to download Complex Circuit Problems And Solutions online for free? Are you looking for Complex Circuit Problems And Solutions PDF? This is definitely going to save you time and cash in something you should think about.

### **Find Complex Circuit Problems And Solutions :**

[lotus exige engine manual](#)

**making team edition leigh thompson**

*magnetic resonance imaging manual solution*

[maharashtra police recruitment 2017 exam details physical](#)

[makalah kajian materi asam lemak scribd com](#)

[logic gates questions and answers](#)

[locomotive engineer training program](#)

[loveliest of sad songs the grenadier and the lady free](#)

[machine shop practice karl hans moltrecht google books](#)

**management accounting 5th edition**

[lost in shangri la a true story of survival adventure and the most incredible rescue mission of world war ii](#)

[management of common musculoskeletal disorders physical therapy principles and methods 3rd edition by hertling darlene](#)

[kessler randolph hardcover](#)

[machine learning with matlab mathworks](#)

**livre technique peinture aquarelle**

**managing to learn 1 1 using th a3 management process to solve problems gain agreement mentor and lead**

### **Complex Circuit Problems And Solutions :**

**sign in apex learning** - Oct 05 2022

web welcome to apex learning use this sign in portal for student and educator accounts

[apex english 9 semester 2 1 2 4 answers macbeth by](#) - Jun 01 2022

web study with quizlet and memorize flashcards containing terms like who is angry at the three witches for predicting the future for macbeth why does macbeth claim he killed king duncan s guards what does macbeth see that supports the idea that he feels guilty about killing banquo and more

**core english iv apex learning** - Feb 09 2023

web this course is built to fulfill the 2017 english language arts and reading english iv teks length two semesters unit 1 monsters and heroes lesson 1 the monstrous cyclops lesson 2 a hero s story lesson 3 the dimensions of the monster lesson 4 wrap up monsters and heroes unit 2 sins and crimes lesson 1 chaucer lesson

[apex english 11 semester 1 answer key pdf pdffiller](#) - Dec 07 2022

web to fill out apex english 11 semester follow these steps 1 log in to your apex learning account using your username and password 2 select the english 11 course from the list of available courses 3 click on start or launch to begin the course 4

[apex learning english 11 sem 1 quiz by quiz study packet tpt](#) - Feb 26 2022

web description updated september 2023 to accompany the apexvs com apex learning english 11 semester 1 course i found

that my students were struggling going back and forth between the readings and the quizzes tests so i created a packet that condenses and summarizes readings provides key terms and information that students can use as open

*apex learning answers reddit* - Sep 16 2023

web apex ap stats sem 1 hi guys i have all of ap statistics sem 1 answers all of the test quizzes and practice dm on insta here [instagram.com/avr10734](#) igshid [ogq5zdc2odk2za](#) it will cost but not a lot 0 comments 1 posted by u [alienchavtios](#) 4891 4 months ago math 2 apex anyone got

**english 4 apex learning** - Mar 10 2023

web core the english 4 course asks students to closely analyze world literature and consider how we humans define and interact with the unknown the monstrous and the heroic

*english 1 apex learning* - Nov 06 2022

web english 1 core the english 1 course is an overview of exemplar selections of literature in fiction and nonfiction genres students read short stories poems a full length novel and a full length shakespeare play analyzing the use of elements of literature in developing character plot and theme

*get apex english 4 semester 1 answer key us legal forms* - Sep 04 2022

web the following tips will allow you to fill in apex english 4 semester 1 answer key quickly and easily open the template in the full fledged online editor by clicking get form fill out the necessary boxes that are colored in yellow hit the arrow with the inscription next to jump from box to box use the e autograph tool to e sign the template

*apex learning flashcards and study sets quizlet* - May 12 2023

web learn apex learning with free interactive flashcards choose from 453 different sets of apex learning flashcards on [quizlet](#) [apex learning courses](#) - Jan 08 2023

web apex learning courses

**english 4 semester 1 exam flashcards quizlet** - Apr 11 2023

web the arrival of the anglo saxons in the seafarer the phrase summer s sentinel is used to mean a cuckoo summer s sentinel is an example of which of the following types of structural elements typical of anglo saxon lyrics kenning these lines from the seafarer illustrate what characteristic of anglo saxon poetry the song of the swan

**apex 4 english flashcards and study sets quizlet** - Aug 15 2023

web set preview learn apex 4 english with free interactive flashcards choose from 5 000 different sets of apex 4 english flashcards on [quizlet](#)

**english 11 semester 1 apex high course hero** - Mar 30 2022

web access study documents get answers to your study questions and connect with real tutors for english 11 semester 1 at

apex high ai homework help expert help

**sem 1 apex learning english 1 1 4 flashcards and study sets** - Jul 14 2023

web questions users classes filters school all number of terms all created by all users content type all study sets 11 studiers today apex english 11 sem 1 1 1 8 quiz 5 terms 1 6 12 yazlynfuture2018 preview 8 studiers in 3 days english 4 sem 1 40 terms 1 9 7 mhouse2 preview 11 studiers recently apex english 12 sem 1 terms 148 terms 4 1

**english 2 sem 2 2 4 3 test cst flashcards quizlet** - Jul 02 2022

web study with quizlet and memorize flashcards containing terms like read this passage powerful dreams feel important to the dreamer and full of meaning but many scientists are confident that dreams are random and empty still even the most unimaginative researcher must concede that a dream is a mystery within a mystery after all science has failed to

**apex english 10 semester 1 exam flashcards quizlet** - Aug 03 2022

web ex well known study with quizlet and memorize flashcards containing terms like moral theme subject and more

[how to get any answer for apex learning r apexlearningschool reddit](#) - Jun 13 2023

web 1 yr ago 419 subscribers in the apexlearningschool community apex the online school let s share answers and tricks

**apex english 11 semester 1 final exam example answers 1** - Apr 30 2022

web 3 the great gatsby is a story of the love between a man and a woman the main theme of the novel encompasses a much larger less romantic scope though all of its action takes place over a mere few months during the summer of 1922 and is set in a circumscribed geographical area in the vicinity of long island new york the great gatsby is a highly

**apex learning english 1 answer key answers for 2023 exams** - Oct 17 2023

web learn more apex answer key for english 4 free ebooks in the my mind and uslegalforms com form library 392236 apex english 4 semester 1 answer key apex test 1 review english quiz quizizz play this game to review english what is the first course in apex about

**cambridge igcse physics 0625 specimen papers gce** - Jun 30 2022

web aug 13 2023 caie past papers for cambridge o level cambridge int l as and a level and cambridge igcse subjects past papers cambridge igcse physics 0625 specimen papers gce guide may 2023 papers for caie qualifications available now [igcse mathematics syllabus specimen papers cie notes](#) - Feb 07 2023

web aug 20 2018 415728 2020 specimen paper 1 mark scheme 415732 2020 specimen paper 1 415736 2020 specimen paper 2 mark scheme 415739 2020 specimen paper 2 415742 2020 specimen paper 3 mark scheme 415744 2020 specimen paper 3 415746 2020 specimen paper 4 mark scheme 415748 2020 specimen paper 4

**cambridge international as a level** - Jan 06 2023

web specimen paper 1 hour 15 minutes you must answer on the question paper no additional materials are needed

instructions answer all questions use a black or dark blue pen you may use an hb pencil for any diagrams or graphs write your name centre number and candidate number in the boxes at the top of the page

*cambridge international as a level* - Aug 01 2022

web paper 1 multiple choice for examination from 2022 specimen paper 1 hour 15 minutes you must answer on the multiple choice answer sheet you will need multiple choice answer sheet soft clean eraser soft pencil type b or hb is recommended instructions there are forty questions on this paper answer all questions

additional mathematics 4049 02 singapore - Mar 28 2022

web ministry of education singapore in collaboration with cambridge assessment international education general certificate of education ordinary level additional mathematics paper 2 4049 02 for examination from 2021 specimen paper candidates answer on the question paper no additional materials

**cambridge igcse history 0470 specimen papers gce guide** - Apr 28 2022

web aug 13 2023 past papers cambridge igcse history 0470 specimen papers gce guide accept read more past papers of cambridge igcse history 0470 specimen papers cambridge o levels cambridge igcse cambridge int l as a levels caie october november 2023 session starts 0

**cambridge pre u specimen papers and mark schemes** - Mar 08 2023

web cambridge pre u specimen papers and mark schemes support cie provides comprehensive support for all its qualifications specimen paper 1 hour 30 minutes read these instructions first write your centre number candidate number and name on all the work you hand in

**home cie notes** - Apr 09 2023

web welcome to cienotes we provide revision resources including past papers igcse as and a level notes all our revision resources are obtainable through one click downloads we are constantly updating our content so keep checking back services past papers

**specimen paper answers gce guide** - Sep 02 2022

web introduction the aim of this booklet is to exemplify standards for those teaching cambridge igcse first language english 0500 and to show examples of good answers for specimen paper 1 each answer is followed by a commentary written by a cambridge examiner explaining the strengths and weaknesses of the answers

**cie igcse past papers cie notes** - Jun 11 2023

web complete igcse past papers cienotes provides the latest past papers and resources including syllabus specimen and question papers marking schemes notes and a lot more past papers for all subjects are available from 2002 up to the latest session all the available contents offered here are completely free and provided in the most convenient

**cie as and a level past papers cie notes** - Dec 05 2022

web complete as and a level past papers cienotes provides the latest past papers and resources including syllabus specimen and question papers marking schemes notes and a lot more past papers for all subjects are available from 2002 up to the latest session

cambridge international as a level - May 30 2022

web paper 1 reading for examination from 2021 specimen paper 2 hours 15 minutes you must answer on the enclosed answer booklet you will need answer booklet enclosed instructions answer all questions follow the instructions on the front cover of the answer booklet if you need additional answer paper

**past papers cambridge igcse gce guide** - Aug 13 2023

web aug 13 2023 past papers of cambridge igcse cambridge o levels cambridge igcse cambridge int l as a levels caie october november 2023 session starts 0 days 0 hours 0 minutes 0 seconds update s 13 08 2023 new as a level latest papers added if any paper is still missing please report using the contact us tab accounting 0452

**past papers cambridge igcse mathematics 0580 specimen papers** - Jul 12 2023

web aug 13 2023 past papers cambridge igcse mathematics 0580 specimen papers gce guide past papers of cambridge igcse mathematics 0580 specimen papers cambridge o levels cambridge igcse cambridge int l as a levels caie october november 2023 session starts 0

igcse past papers caie papacambridge - Feb 24 2022

web mar 24 2023 caie a levels have new 2022 updated topical past papers with answers exclusively available on papacambridge 12 01 2023 october and november 2023 past papers of caie are updated 2022 and 2023 updates 17 10 2022 past papers section is upgraded 12 08 2022 may june 2022 and feb march 2022 past papers are updated

first language english 0500 01 cambridge assessment - May 10 2023

web paper 1 reading for examination from 2020 specimen paper 2 hours you must answer on the question paper you will need insert enclosed instructions answer all questions use a black or dark blue pen write your name centre number and candidate number in the boxes at the top of the page

*igcse chemistry syllabus specimen papers cie notes* - Nov 04 2022

web jul 10 2018 166849 2016 specimen paper 5 mark scheme 166851 2016 specimen paper 5 instructions 166853 2016 specimen paper 6 mark scheme 166869 2016 specimen paper 1 166871 2016 specimen paper 2 166873 2016 specimen paper 3 166875 2016 specimen paper 4 166877 2016 specimen paper 5 166879 2016

**cie past papers cie notes** - Sep 14 2023

web complete cie past papers cienotes offers a range of cambridge international examinations teaching support and resource

materials for each subject select the examination below for the available past papers syllabus and

**past papers cambridge assessment international education** - Oct 15 2023

web select your subject and find past papers and specimen papers in the left hand side bar other resources you may find useful test maker create customised test papers using past papers to check your learners understanding and measure their progress in specific areas or the whole syllabus read more syllabus quizzes

[cie lower secondary checkpoint past papers cie notes](#) - Oct 03 2022

web complete lower secondary checkpoint past papers cienotes provides the latest past papers and resources including syllabus specimen and question papers marking schemes notes and a lot more all the available contents offered here are completely free and provided in the most convenient way

[wer stirbt schon gerne unter palmen band 1 der vater kobo com](#) - Apr 21 2022

web feb 6 2023 wer stirbt schon gerne unter palmen ist ein deutscher abenteuer und actionfilm dg1frwzkuwjizji3mdg promis unter palmen wer ist in der 2 staffel

[wer stirbt schon gerne unter palmen roman wikipedia](#) - May 03 2023

web 18ergebnisse sortiert nach deutsche verkäufer zuerst autor künstler etc a zautor künstler etc z aerscheinungsjahr fallenderscheinungsjahr steigendgesamtpreis

**wer stirbt schon gerne unter palmen band 1 der vater thalia** - Jul 25 2022

web may 26 2017 wer stirbt schon gerne unter palmen band 1 der vater roman german edition kindle edition by konsalik heinz g download it once and read it on

**wer stirbt schon gerne unter palmen film trailer kritik kino zeit** - Feb 17 2022

web jul 3 2022 abenteuer krimi deutschland regie alfred vohrer cast thomas hunter hannes messemer glauco onorato maria gudy sieghardt rupp monika

**wer stirbt schon gerne unter palmen 1974 trailer youtube** - Jan 19 2022

web heinz g konsalik wer stirbt schon gerne unter palmen band 1 2 im set taschenbuch 1 januar 1978 von heinz g konsalik autor 4 7 22 sternbewertungen

[stirbt schon gerne palmen sohn band von konsalik heinz zvab](#) - Jan 31 2023

web nach zwanzig jahren hat der sohn paul das mannesalter erreicht und sein weg scheint der weg seines vaters zu sein aufgrund des frevels den die familie bäcker seit

[wer stirbt schon gerne unter palmen softcover abebooks](#) - Aug 26 2022

web Über 2 000 000 ebooks bei thalia wer stirbt schon gerne unter palmen band 1 der vater von heinz g konsalik weitere ebooks online kaufen direkt downloaden

*wer stirbt schon gerne unter palmen band 2 der sohn roman* - Aug 06 2023

web band 2 ist die fortsetzung des südseeabenteuers von werner bäcker und seiner familie auf der toteninsel in diesem spannenden roman können konsalik fans mitverfolgen

**wer stirbt schon gerne unter palmen band 2 der sohn thalia** - Jul 05 2023

web produktinformationen zu wer stirbt schon gerne unter palmen band 2 der sohn epub das leben könnte für werner bäcker und seine kleine familie nicht idyllischer

*wer stirbt schon gerne unter palmen band 1 2 im set* - Dec 18 2021

web wer stirbt schon gerne unter palmen ist ein zweibändiger abenteuer und liebesroman von heinz g konsalik aus dem jahr 1972 der sich mit dem dramatischen schicksal von

**wer stirbt schon gerne unter palmen movie 1977 dailymotion** - Mar 21 2022

web wer stirbt schon gerne unter palmen das label filmjuwelen landet gerne treffer mit obskuren filmen die oftmals mehrere jahrzehnte regalknast hinter sich haben und

[wer stirbt schon gerne unter palmen band 1 der vater roman](#) - Jun 23 2022

web regie führte alfred vohrer inhaltsverzeichnis 1 handlung 2 produktionsnotizen 3 kritik 4 weblinks 5 einzelnachweise handlung auf ceylon dem heutigen sri lanka wird der

**wer stirbt schon gerne unter palmen band 2 der** - Oct 08 2023

web wer stirbt schon gerne unter palmen ii der sohn isbn 9783404110896 kostenloser versand für alle bücher mit versand und verkauf duch amazon

**stirbt schon gerne palmen sohn band zvb** - Apr 02 2023

web wer stirbt schon gerne unter palmen band ii der sohn bücher gebraucht antiquarisch neu kaufen preisvergleich käuferschutz wir bücher

**wer stirbt schon gerne unter palmen band 2 der sohn ebay** - Nov 28 2022

web may 26 2017 wer stirbt schon gerne unter palmen band 1 der vater roman heinz g konsalik konsalik verlag may 26 2017 fiction 300 pages werner bäcker ist der

**wer stirbt schon gerne unter palmen ii der sohn broschiert** - Sep 07 2023

web wer stirbt schon gerne unter palmen band 2 der sohn roman konsalik heinz g 1921 1999 free download borrow and streaming internet archive wer stirbt schon

**wer stirbt schon gerne unter palmen band 2 der sohn epub** - Jun 04 2023

web wer stirbt schon gerne unter palmen ist ein zweibändiger abenteuer und liebesroman von heinz g konsalik aus dem jahr 1972 der sich mit dem dramatischen schicksal von

**wer stirbt schon gerne unter palmen band ii der sohn booklooker** - Mar 01 2023

web wer stirbt schon gerne unter palmen band 2 der sohn von konsalik heinz g und eine große auswahl ähnlicher bücher kunst und sammlerstücke erhältlich auf zvab com

*wer stirbt schon gerne unter palmen allgemeine reihe* - Dec 30 2022

web entdecke wer stirbt schon gerne unter palmen band 2 der sohn in großer auswahl vergleichen angebote und preise online kaufen bei ebay kostenlose lieferung für viele

wer stirbt schon gerne unter palmen band 1 der vater roman - Sep 26 2022

web wer stirbt schon gerne unter palmen von g konsalik heinz bei abebooks de isbn 10 340400261x isbn 13 9783404002610 bastei lübbe 1982 softcover

**wer stirbt schon gerne unter palmen band 1 der vater** - Oct 28 2022

web band 1 der vater roman kindle ausgabe werner bäcker ist der einzig Überlebende eines schiffbruchs in der südsee schwer verletzt wird er an eine insel angeschwemmt

wer stirbt schon gerne unter palmen roman wikiwand - Nov 16 2021

**wer stirbt schon gerne unter palmen wikipedia** - May 23 2022

web von heinz g konsalik kurzbeschreibung werner bäcker ist der einzig Überlebende eines schiffbruchs in der südsee schwer verletzt wird er an eine insel angeschwemmt und