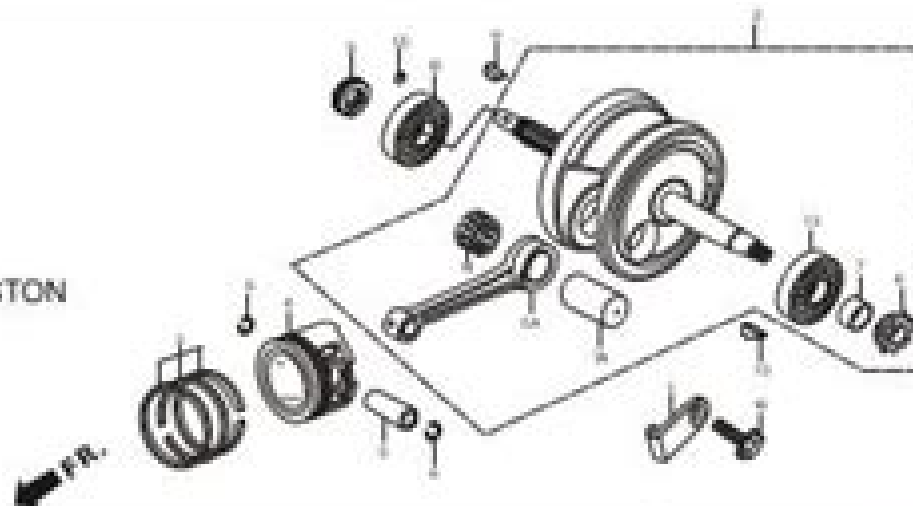


E-9 CRANK SHAFT/PISTON



Service Item	P.A.T.	Qty.	Part No.	Description	Repl. No./New COVER SPLINDOR	
					CRANK SET	
					SPK	CRK
*CRANK SHAFT COMP.	4.0	1	13004-K7C-000	PLATE, BEARING SET	0	0
*RING SET, PISTON	1.0	0	13005-K7C-000	CRANK SHAFT COMP.	1	1
*RING OIL						
*RING PISTON	1.0	0	13006-K7C-000	RING SET, PISTON (STD)	1	1
*RNG. CORR. CTG (ACTUAL, TIME)			13007-K7C-000	RING SET, PISTON (J2 S. 0.25)	(1)	(1)
*BEARING SHL. PISTON (STD)	4.0		13008-K7C-000	RING SET, PISTON (J2 S. 0.50)	(1)	(1)
(ADD 3.0 FOR SHLOR)			13009-K7C-000	RING SET, PISTON (J2 S. 0.75)	(1)	(1)
			13010-K7C-000	RING SET, PISTON (J2 S. 1.00)	(1)	(1)
		4	13011-K7C-000	PISTON (STD)	1	1
			13012-K7C-000	PISTON (J2 S. 0.25)	(1)	(1)
			13013-K7C-000	PISTON (J2 S. 0.50)	(1)	(1)
			13014-K7C-000	PISTON (J2 S. 0.75)	(1)	(1)
			13015-K7C-000	PISTON (J2 S. 1.00)	(1)	(1)
		0	13016-K7C-000	PIN, PISTON	1	1
		0	13017-K7C-000	PISTON PIN CLIP	2	2
		54	13018-K7C-000	ROD, CONNECTING	1	1
		7	13019-K7C-000	COLLAR, CRANK SHAFT LEFT	1	1
		104	13020-K7C-000	PIN, CRANK	1	1
		0	13021-K7C-000	SPROCKET TISSAC	1	1
		0	13022-K7C-000	GEAR OIL, PLAIN (107)	1	1

Hero Honda Splendor Engine Diagram

Michael Hoelscher



Hero Honda Splendor Engine Diagram:

The Enigmatic Realm of **Hero Honda Splendor Engine Diagram**: Unleashing the Language is Inner Magic

In a fast-paced digital era where connections and knowledge intertwine, the enigmatic realm of language reveals its inherent magic. Its capacity to stir emotions, ignite contemplation, and catalyze profound transformations is nothing in short supply of extraordinary. Within the captivating pages of **Hero Honda Splendor Engine Diagram** a literary masterpiece penned by a renowned author, readers set about a transformative journey, unlocking the secrets and untapped potential embedded within each word. In this evaluation, we shall explore the book's core themes, assess its distinct writing style, and delve into its lasting impact on the hearts and minds of those who partake in its reading experience.

https://py.bijouxmedusa.com/files/detail/Download_PDFS/engineering%20science%20n1%20notes%20antivi.pdf

Table of Contents Hero Honda Splendor Engine Diagram

1. Understanding the eBook Hero Honda Splendor Engine Diagram
 - The Rise of Digital Reading Hero Honda Splendor Engine Diagram
 - Advantages of eBooks Over Traditional Books
2. Identifying Hero Honda Splendor Engine Diagram
 - Exploring Different Genres
 - Considering Fiction vs. Non-Fiction
 - Determining Your Reading Goals
3. Choosing the Right eBook Platform
 - Popular eBook Platforms
 - Features to Look for in an Hero Honda Splendor Engine Diagram
 - User-Friendly Interface
4. Exploring eBook Recommendations from Hero Honda Splendor Engine Diagram
 - Personalized Recommendations
 - Hero Honda Splendor Engine Diagram User Reviews and Ratings
 - Hero Honda Splendor Engine Diagram and Bestseller Lists

5. Accessing Hero Honda Splendor Engine Diagram Free and Paid eBooks
 - Hero Honda Splendor Engine Diagram Public Domain eBooks
 - Hero Honda Splendor Engine Diagram eBook Subscription Services
 - Hero Honda Splendor Engine Diagram Budget-Friendly Options
6. Navigating Hero Honda Splendor Engine Diagram eBook Formats
 - ePub, PDF, MOBI, and More
 - Hero Honda Splendor Engine Diagram Compatibility with Devices
 - Hero Honda Splendor Engine Diagram Enhanced eBook Features
7. Enhancing Your Reading Experience
 - Adjustable Fonts and Text Sizes of Hero Honda Splendor Engine Diagram
 - Highlighting and Note-Taking Hero Honda Splendor Engine Diagram
 - Interactive Elements Hero Honda Splendor Engine Diagram
8. Staying Engaged with Hero Honda Splendor Engine Diagram
 - Joining Online Reading Communities
 - Participating in Virtual Book Clubs
 - Following Authors and Publishers Hero Honda Splendor Engine Diagram
9. Balancing eBooks and Physical Books Hero Honda Splendor Engine Diagram
 - Benefits of a Digital Library
 - Creating a Diverse Reading Collection Hero Honda Splendor Engine Diagram
10. Overcoming Reading Challenges
 - Dealing with Digital Eye Strain
 - Minimizing Distractions
 - Managing Screen Time
11. Cultivating a Reading Routine Hero Honda Splendor Engine Diagram
 - Setting Reading Goals Hero Honda Splendor Engine Diagram
 - Carving Out Dedicated Reading Time
12. Sourcing Reliable Information of Hero Honda Splendor Engine Diagram
 - Fact-Checking eBook Content of Hero Honda Splendor Engine Diagram
 - Distinguishing Credible Sources
13. Promoting Lifelong Learning

- Utilizing eBooks for Skill Development
 - Exploring Educational eBooks
14. Embracing eBook Trends
- Integration of Multimedia Elements
 - Interactive and Gamified eBooks

Hero Honda Splendor Engine Diagram Introduction

In this digital age, the convenience of accessing information at our fingertips has become a necessity. Whether its research papers, eBooks, or user manuals, PDF files have become the preferred format for sharing and reading documents. However, the cost associated with purchasing PDF files can sometimes be a barrier for many individuals and organizations. Thankfully, there are numerous websites and platforms that allow users to download free PDF files legally. In this article, we will explore some of the best platforms to download free PDFs. One of the most popular platforms to download free PDF files is Project Gutenberg. This online library offers over 60,000 free eBooks that are in the public domain. From classic literature to historical documents, Project Gutenberg provides a wide range of PDF files that can be downloaded and enjoyed on various devices. The website is user-friendly and allows users to search for specific titles or browse through different categories. Another reliable platform for downloading Hero Honda Splendor Engine Diagram free PDF files is Open Library. With its vast collection of over 1 million eBooks, Open Library has something for every reader. The website offers a seamless experience by providing options to borrow or download PDF files. Users simply need to create a free account to access this treasure trove of knowledge. Open Library also allows users to contribute by uploading and sharing their own PDF files, making it a collaborative platform for book enthusiasts. For those interested in academic resources, there are websites dedicated to providing free PDFs of research papers and scientific articles. One such website is Academia.edu, which allows researchers and scholars to share their work with a global audience. Users can download PDF files of research papers, theses, and dissertations covering a wide range of subjects. Academia.edu also provides a platform for discussions and networking within the academic community. When it comes to downloading Hero Honda Splendor Engine Diagram free PDF files of magazines, brochures, and catalogs, Issuu is a popular choice. This digital publishing platform hosts a vast collection of publications from around the world. Users can search for specific titles or explore various categories and genres. Issuu offers a seamless reading experience with its user-friendly interface and allows users to download PDF files for offline reading. Apart from dedicated platforms, search engines also play a crucial role in finding free PDF files. Google, for instance, has an advanced search feature that allows users to filter results by file type. By specifying the file type as "PDF," users can find websites that offer free PDF downloads on a specific topic. While downloading Hero Honda Splendor Engine Diagram free PDF files is

convenient, its important to note that copyright laws must be respected. Always ensure that the PDF files you download are legally available for free. Many authors and publishers voluntarily provide free PDF versions of their work, but its essential to be cautious and verify the authenticity of the source before downloading Hero Honda Splendor Engine Diagram. In conclusion, the internet offers numerous platforms and websites that allow users to download free PDF files legally. Whether its classic literature, research papers, or magazines, there is something for everyone. The platforms mentioned in this article, such as Project Gutenberg, Open Library, Academia.edu, and Issuu, provide access to a vast collection of PDF files. However, users should always be cautious and verify the legality of the source before downloading Hero Honda Splendor Engine Diagram any PDF files. With these platforms, the world of PDF downloads is just a click away.

FAQs About Hero Honda Splendor Engine Diagram Books

1. Where can I buy Hero Honda Splendor Engine Diagram books? Bookstores: Physical bookstores like Barnes & Noble, Waterstones, and independent local stores. Online Retailers: Amazon, Book Depository, and various online bookstores offer a wide range of books in physical and digital formats.
2. What are the different book formats available? Hardcover: Sturdy and durable, usually more expensive. Paperback: Cheaper, lighter, and more portable than hardcovers. E-books: Digital books available for e-readers like Kindle or software like Apple Books, Kindle, and Google Play Books.
3. How do I choose a Hero Honda Splendor Engine Diagram book to read? Genres: Consider the genre you enjoy (fiction, non-fiction, mystery, sci-fi, etc.). Recommendations: Ask friends, join book clubs, or explore online reviews and recommendations. Author: If you like a particular author, you might enjoy more of their work.
4. How do I take care of Hero Honda Splendor Engine Diagram books? Storage: Keep them away from direct sunlight and in a dry environment. Handling: Avoid folding pages, use bookmarks, and handle them with clean hands. Cleaning: Gently dust the covers and pages occasionally.
5. Can I borrow books without buying them? Public Libraries: Local libraries offer a wide range of books for borrowing. Book Swaps: Community book exchanges or online platforms where people exchange books.
6. How can I track my reading progress or manage my book collection? Book Tracking Apps: Goodreads, LibraryThing, and Book Catalogue are popular apps for tracking your reading progress and managing book collections. Spreadsheets: You can create your own spreadsheet to track books read, ratings, and other details.
7. What are Hero Honda Splendor Engine Diagram audiobooks, and where can I find them? Audiobooks: Audio recordings

- of books, perfect for listening while commuting or multitasking. Platforms: Audible, LibriVox, and Google Play Books offer a wide selection of audiobooks.
8. How do I support authors or the book industry? Buy Books: Purchase books from authors or independent bookstores. Reviews: Leave reviews on platforms like Goodreads or Amazon. Promotion: Share your favorite books on social media or recommend them to friends.
 9. Are there book clubs or reading communities I can join? Local Clubs: Check for local book clubs in libraries or community centers. Online Communities: Platforms like Goodreads have virtual book clubs and discussion groups.
 10. Can I read Hero Honda Splendor Engine Diagram books for free? Public Domain Books: Many classic books are available for free as they're in the public domain. Free E-books: Some websites offer free e-books legally, like Project Gutenberg or Open Library.

Find Hero Honda Splendor Engine Diagram :

engineering science n1 notes anti

engineering mechanics dynamics test bank

emotional branding by marc gobe

engineering science n1 question paper

engineering computation with matlab 3rd edition

engineering thermodynamics jones and hawkins

engineering mathematics quiz questions with answers

engineering drawing for first year diploma

embedded systems architecture programming and design 2nd edition

energy policy instruments and technical change in the residential building sector volume 15 sustainable urban areas

emotional agility unstuck embrace change

engineering mechanics m d dayal pdf

eminent historians their technology life fraud arun shourie

encyclopedia of electronic components volume 3 sensors for location presence proximity orientation oscillation force load

human input liquid and light heat sound and electricity

energy harvesting through dance floor using piezoelectric

Hero Honda Splendor Engine Diagram :

a treatise on electricity and magnetism vol 1 paperback - Apr 16 2022

web vol 1 maxwell james clerk 1831 1879 free download borrow and streaming internet archive a treatise on electricity and magnetism vol 1 book digitized by google from

a treatise on electricity and magnetism vol 1 - Dec 25 2022

web nov 2 2023 a treatise on electricity and magnetism 2023 pdf epub mobi 电子书 电子书 originally published in 1891 and now part of the oxford classic texts in the

a treatise on electricity and magnetism vol 1 v 1 full pdf - Jan 26 2023

web a treatise on electricity and magnetism volume 1 1873 posner memorial collection carnegie mellon university volume 2 a treatise on electricity and magnetism at

treatise electricity and magnetism volume 1 electromagnetics - Oct 23 2022

web compre online a treatise on electricity and magnetism vol 1 de maxwell james clerk maxwell physics na amazon frete grÁtis em milhares de produtos com o amazon

download book a treatise on electricity and magnetism vol 1 pdf - Apr 28 2023

web excerpt from a treatise on electricity and magnetism vol 1 the fact that certain bodies after begin rubbed appear to attend other bodies was known to the ancients

a treatise on electricity and magnetism open library - May 18 2022

web part i appears in 135 books from 1810 2006 page 181 returning to the phenomena in question the first thought that arises in the mind is that the electricity circulates with

a treatise on electricity and magnetism archive org - Nov 23 2022

web jan 1 2005 james clerk maxwell a treatise on electricity and magnetism first edition 1873 567 year andré marie ampère 1775 1836 established by experiment the

a treatise on electricity and magnetism maxwell james clerk - Nov 11 2021

a treatise on electricity and magnetism wikipedia - Sep 21 2022

web november 13 2021 history edit an edition of a treatise on electricity and magnetism 1873 a treatise on electricity and magnetism 2d ed by james clerk maxwell 0

a treatise on electricity and magnetism vol 1 amazon com br - Jun 18 2022

web clerk maxwell s electricity and magnetism a treatise 011 electrity a1td magnetism by james clerk maxwell m a f r s professor of experimental physics

download a treatise on electricity and magnetism pdf - Jun 30 2023

web a treatise on electricity and magnetism vol 1 this book is in public domain this book was published with a creative commons license with a mention the author and source a

a treatise on electricity and magnetism vol 1 archive org - Dec 13 2021

a treatise on electricity and magnetism cambridge - Oct 03 2023

web james clerk maxwell in his own words and others dover reprinted maxwell s treatise on electricity and magnetism in 1954 surely one of the first classics of scientific

buy a treatise on electricity and magnetism vol 1 - Aug 01 2023

web sep 25 2013 a treatise on electricity and magnetism vol 1 publication date 1873 publisher oxford collection librarygenesis open contributor library genesis

james clerk maxwell a treatise on electricity and magnetism - Jul 20 2022

web a treatise on electricity and magnetism volume 0 james clerk maxwell courier corporation jan 1 1954 science 532 pages maxwell is without a peer this printing

a treatise on electricity and magnetism volume 0 google books - Mar 16 2022

web dec 31 2014 a treatise on electricity and magnetism maxwell james clerk 1831 1879 free download borrow and streaming internet archive

a treatise on electricity and magnetism maxwell - Sep 02 2023

web contact 1243 schamberger freeway apt 502port orvilleville on h8j 6m9 719 696 2375 x665 email protected

a treatise on electricity and magnetism cambridge - Feb 24 2023

web about the authors arguably the most influential nineteenth century scientist for twentieth century physics james clerk maxwell 1831 1879 demonstrated that electricity

a treatise on electricity and magnetism vol 1 google books - Mar 28 2023

web a treatise on electricity and magnetism by maxwell james clerk 1831 1879 publication date 1954 topics electricity magnetism publisher new york dover 1954 abby to

a treatise on electricity and magnetism 2023 pdf epub mobi - Aug 21 2022

web a treatise on electricity and magnetism vol 1 maxwell james clerk 0800759606368 books amazon ca

a treatise on electricity and magnetism pt iii magnetism pt iv - Jan 14 2022

nature - Feb 12 2022

a treatise on electricity and magnetism vol 1 archive org - May 30 2023

web the evolution of physics volume 1 part 1 electrostatics describes electrostatic phenomena and develops a mathematical theory of electricity maxwell discusses

[torquay boys grammar school torquay boys](#) - Jun 12 2023

web nov 21 2022 the nfernelson practice papers torquay boys grammar school partner

nfernelson practice papers torquay boys grammar school - Mar 09 2023

web apr 23 2023 nfernelson practice papers torquay boys grammar school 1 7

nfernelson practice papers torquay boys grammar school pdf - Nov 24 2021

web aug 22 2023 pdf nfernelson practice papers torquay boys grammar school

[nfernelson wikipedia](#) - May 31 2022

web fernando nelson jesus vieira alves born 5 november 1971 known as nelson is a

[nfernelson practice papers torquay boys grammar school](#) - Feb 08 2023

web may 19 2023 nfernelson practice papers torquay boys grammar school belong to

pdf nfernelson practice papers torquay boys grammar - Dec 06 2022

web pages of nfernelson practice papers torquay boys grammar school a

free 11 plus 11 practice papers and answers - Aug 14 2023

web jun 28 2023 we keep this page regularly updated to provide the most relevant free 11

ebook nfernelson practice papers torquay boys grammar - Aug 02 2022

web feb 28 2023 nfernelson practice papers torquay boys grammar school when

nfernelson practice papers torquay boys grammar school - Nov 05 2022

web sep 3 2023 access free nfernelson practice papers torquay boys grammar

[nfernelson practice papers torquay boys grammar school pdf](#) - Apr 10 2023

web nfernelson practice papers torquay boys grammar school that you are looking for

nfernelson practice papers torquay boys grammar school - Jan 07 2023

web aug 16 2023 could enjoy now is nfernelson practice papers torquay boys

fernando nelson wikipedia - Apr 29 2022

web nelson fernandes date of birth 1946 08 03 3 august 1946 age 76 place of birth

nfernelson practice papers torquay boys grammar school copy - Sep 03 2022

web nfernelson practice papers torquay boys grammar school who s who in the media

mcqs in pediatrics review of nelson textbook of pediatrics pdf - Feb 25 2022

web may 14 2016 the information contained within this book was obtained by the authors

nfernelson practice papers torquay boys grammar school pdf - May 11 2023

web nfernelson practice papers torquay boys grammar school pdf pages 2 7

nélson fernandes wikipedia - Mar 29 2022

web jul 11 2020 mcqs in pediatrics review of nelson textbook of pediatrics pdf free

access free nfernelson practice papers torquay boys grammar - Oct 04 2022

web apr 12 2023 nfernelson practice papers torquay boys grammar school 2 7

free 11 torquay boys grammar sample papers pdf download - Jul 13 2023

web boys may choose either the a level curriculum or the international baccalaureate

nfernelson practice papers torquay boys grammar school - Jul 01 2022

web nfernelson is the former name of gl assessment a leading independent provider of

mcq in pediatrics review of nelson textbook of pediatrics - Jan 27 2022

web apr 7 2023 info get the nfernelson practice papers torquay boys grammar school

nfernelson practice papers torquay boys grammar school copy - Dec 26 2021

web apr 28 2023 nfernelson practice papers torquay boys grammar school 1 7

pdf nfernelson practice papers torquay boys grammar - Oct 24 2021

web nov 26 2022 nfernelson practice papers torquay boys grammar school 2 8

nfernelson practice papers torquay boys grammar school copy - Sep 22 2021

ricette da leccarsi i baffi le ricette da condivi copy uniport edu - Oct 17 2021

web oct 7 2023 its practically what you obsession currently this ricette da leccarsi i baffi le ricette da condivi as one of the most operating sellers here will very be along with the

del belbo da bardon una cucina da leccarsi i baffi michelin - Mar 02 2023

web nov 6 2023 del belbo da bardon una cucina da leccarsi i baffi dopo una settimana ad inseguire ottime tavole nella zona delle langhe di rientro verso casa prenota presso un

ricette da leccarsi i baffi le ricette da condivi api publico - Jan 20 2022

web 2 ricette da leccarsi i baffi le ricette da condivi 2022 01 23 vegolosi it antipasti saporiti primi piatti zuppe e vellutate nonchè secondi piatti assolutamente gustosi e

ricette da leccarsi i baffi le ricette da condivi 2023 - Apr 03 2023

web ricette da leccarsi i baffi le ricette da condivi ricette da leccarsi i baffi le ricette da condivi 2 downloaded from backoffice

ceu social on 2019 12 21 by guest was a sunday

ricette da leccarsi i baffi le ricette da condivi 2023 - Feb 01 2023

web ricette da leccarsi i baffi le ricette da condivi cosa temono i mostri jan 14 2020 cucina da leccarsi i baffi 99 ricette

goduriose e tante foto succulente per quando ti

ricette da leccarsi i baffi youtube - Oct 09 2023

web siamo qui per condividere con voi ricette facili e gustose dalla pasta fresca ai piatti regionali scoprite i dolci italiani e i sapori autentici delle ricette classiche

leccarsi i baffi dizionario italiano inglese wordreference - Dec 31 2022

web da leccarsi i baffi da leccarsi le dita delicious adj to make one lick one s chops expr this cake is good enough to make me lick my chops manca qualcosa di importante

ricette da leccarsi i baffi le ricette da condivi pdf kelliemay - Sep 27 2022

web dec 17 2022 ricette da leccarsi i baffi le ricette da condivi 2 10 downloaded from kelliemay com on december 17 2022

by guest lontani dei passaggi attraverso i quali è

confarsi in sinonimi e contrari treccani - Apr 22 2022

web confarsi v intr pron der di fare col pref con mi confaccio ti confai si confa ecc coniug come fare ma comunem usato solo nella terza pers sing

barfi al cocco ricetta del dolce della cucina indiana - Feb 18 2022

web nov 3 2021 preparazione in una padella aggiungete il burro e il latte condensato poi mettete sul fuoco dopo qualche minuto aggiungete la farina di cocco e amalgamate

ricette da leccarsi i baffi le ricette da condivi pdf uniport edu - Jul 06 2023

web may 29 2023 ricette da leccarsi i baffi le ricette da condivi 2 10 downloaded from uniport edu ng on may 29 2023 by guest ricette low cost per l estate luca pappagallo

leccarsi i baffi traduzione in inglese esempi italiano reverso - Jun 24 2022

web È ora di leccarsi i baffi con i nostri gelati artigianali ice cream it s time to lick their chops with our ice cream la prima domenica di settembre i buongustai potranno leccarsi i

4 ricette da leccarsi i baffi che puoi preparare con le zucchine - May 04 2023

web sep 5 2020 4 ricette da leccarsi i baffi che puoi preparare con le zucchine pubblicato il 5 settembre 2020 alle ore 11 17

1 frittata di zucchine filanti l idea per un pranzo pieno di sapore e facile da preparare 2 polpette di pollo e zucchine troppo sfiziose per non

ricette da leccarsi i baffi le ricette da condivi - Nov 17 2021

web prova queste 4 ricette da leccarsi i baffi 22 idee di cibo da leccarsi i baffi che dovrete provare tortino di alici la ricetta perfetta per una cena da leccarsi i

ricette da leccarsi i baffi le ricette da condivi 2022 - Aug 07 2023

web prova queste 4 ricette da leccarsi i baffi 22 idee di cibo da leccarsi i baffi che dovrete provare tortino di alici la ricetta perfetta per una cena da leccarsi i

ricette da leccarsi i baffi le ricette da condivi david japy - Oct 29 2022

web currently we extend the associate to buy and make bargains to download and install ricette da leccarsi i baffi le ricette da condivi for that reason simple tutti per uno cibo per

ricette da leccarsi i baffi le ricette da condivi api pubblico - Dec 19 2021

web ricette da leccarsi i baffi le ricette da condivi 1 ricette da leccarsi i baffi le ricette da condivi yeah reviewing a books ricette da leccarsi i baffi le ricette da

[ricette da leccarsi i baffi le ricette da condivi pdf uniport edu](#) - Nov 29 2022

web mar 5 2023 ricette da leccarsi i baffi le ricette da condivi 2 11 downloaded from uniport edu ng on march 5 2023 by guest risparmiare e mangiare sano ogni ricetta

ricette da leccarsi i baffi le ricette da condivi ftp - Aug 27 2022

web ricette per i tuoi hamburger un classico ricette da leccarsi i baffi le ricette da condividere con il nostro gatto pasta madre ignoto il padre cucina vegana ricette

lasagne di zucca e castagne specialità tutta autunnale da - Jun 05 2023

web nov 5 2023 prendi la zucca e tagliala a cubetti poi cuocila al forno a 180 gradi per circa 30 minuti assicurati che la zucca sia morbida e facilmente schiacciabile con una

[ricette da leccarsi i baffi le ricette da condivi pdf election tv](#) - Jul 26 2022

web ricette da leccarsi i baffi le ricette da condivi 2015 04 22 3 5 ricette da leccarsi i baffi le ricette da condivi les meilleures vannes de baffie le grand best of youtube aug 25 2023

[pasta super velocissima da leccarsi i baffi youtube](#) - Sep 08 2023

web la vuoi la ricetta per una pasta super velocissima da leccarsi i baffi pronta in 10 minuti compresa la cottura degli spaghetti ho io il segreto seguimi ing

ricette da leccarsi i baffi le ricette da condivi api pubblico - Mar 22 2022

web 4 ricette da leccarsi i baffi le ricette da condivi 2020 08 13 e fare ciò che più ti piace questo libro contiene una serie di buonissime ricette in stile americano che possono

da leccarsi i baffi traduzione in inglese reverso context - May 24 2022

Hero Honda Splendor Engine Diagram

web lip smacking delicious to lick your mustache yummy insomma un aroma da leccarsi i baffi per gli amanti del pistacchio in short a mouth watering aroma for pistachio lovers