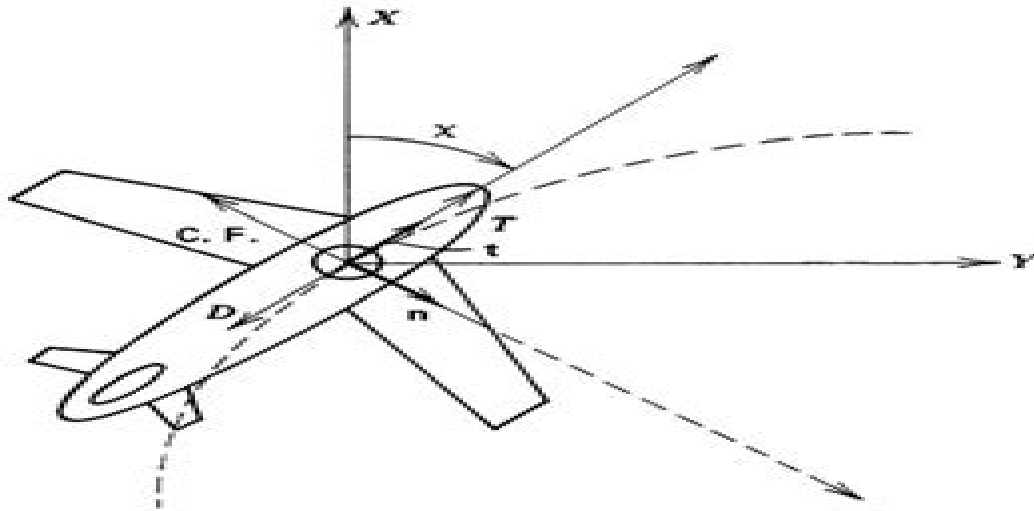


Introduction to Aircraft Performance, Selection, and Design



Francis J. Hale

Introduction To Aircraft Performance Selection And Design

O García



Introduction To Aircraft Performance Selection And Design:

Right here, we have countless books **Introduction To Aircraft Performance Selection And Design** and collections to check out. We additionally have the funds for variant types and then type of the books to browse. The customary book, fiction, history, novel, scientific research, as well as various other sorts of books are readily to hand here.

As this Introduction To Aircraft Performance Selection And Design, it ends up being one of the favored book Introduction To Aircraft Performance Selection And Design collections that we have. This is why you remain in the best website to see the unbelievable book to have.

<https://py.bijouxmedusa.com/public/publication/fetch.php/english%20writing%20and%20skills%20workbook.pdf>

Table of Contents Introduction To Aircraft Performance Selection And Design

1. Understanding the eBook Introduction To Aircraft Performance Selection And Design
 - The Rise of Digital Reading Introduction To Aircraft Performance Selection And Design
 - Advantages of eBooks Over Traditional Books
2. Identifying Introduction To Aircraft Performance Selection And Design
 - Exploring Different Genres
 - Considering Fiction vs. Non-Fiction
 - Determining Your Reading Goals
3. Choosing the Right eBook Platform
 - Popular eBook Platforms
 - Features to Look for in an Introduction To Aircraft Performance Selection And Design
 - User-Friendly Interface
4. Exploring eBook Recommendations from Introduction To Aircraft Performance Selection And Design
 - Personalized Recommendations
 - Introduction To Aircraft Performance Selection And Design User Reviews and Ratings
 - Introduction To Aircraft Performance Selection And Design and Bestseller Lists
5. Accessing Introduction To Aircraft Performance Selection And Design Free and Paid eBooks

- Introduction To Aircraft Performance Selection And Design Public Domain eBooks
 - Introduction To Aircraft Performance Selection And Design eBook Subscription Services
 - Introduction To Aircraft Performance Selection And Design Budget-Friendly Options
6. Navigating Introduction To Aircraft Performance Selection And Design eBook Formats
 - ePub, PDF, MOBI, and More
 - Introduction To Aircraft Performance Selection And Design Compatibility with Devices
 - Introduction To Aircraft Performance Selection And Design Enhanced eBook Features
 7. Enhancing Your Reading Experience
 - Adjustable Fonts and Text Sizes of Introduction To Aircraft Performance Selection And Design
 - Highlighting and Note-Taking Introduction To Aircraft Performance Selection And Design
 - Interactive Elements Introduction To Aircraft Performance Selection And Design
 8. Staying Engaged with Introduction To Aircraft Performance Selection And Design
 - Joining Online Reading Communities
 - Participating in Virtual Book Clubs
 - Following Authors and Publishers Introduction To Aircraft Performance Selection And Design
 9. Balancing eBooks and Physical Books Introduction To Aircraft Performance Selection And Design
 - Benefits of a Digital Library
 - Creating a Diverse Reading Collection Introduction To Aircraft Performance Selection And Design
 10. Overcoming Reading Challenges
 - Dealing with Digital Eye Strain
 - Minimizing Distractions
 - Managing Screen Time
 11. Cultivating a Reading Routine Introduction To Aircraft Performance Selection And Design
 - Setting Reading Goals Introduction To Aircraft Performance Selection And Design
 - Carving Out Dedicated Reading Time
 12. Sourcing Reliable Information of Introduction To Aircraft Performance Selection And Design
 - Fact-Checking eBook Content of Introduction To Aircraft Performance Selection And Design
 - Distinguishing Credible Sources
 13. Promoting Lifelong Learning
 - Utilizing eBooks for Skill Development

- Exploring Educational eBooks
14. Embracing eBook Trends
- Integration of Multimedia Elements
 - Interactive and Gamified eBooks

Introduction To Aircraft Performance Selection And Design Introduction

In the digital age, access to information has become easier than ever before. The ability to download Introduction To Aircraft Performance Selection And Design has revolutionized the way we consume written content. Whether you are a student looking for course material, an avid reader searching for your next favorite book, or a professional seeking research papers, the option to download Introduction To Aircraft Performance Selection And Design has opened up a world of possibilities. Downloading Introduction To Aircraft Performance Selection And Design provides numerous advantages over physical copies of books and documents. Firstly, it is incredibly convenient. Gone are the days of carrying around heavy textbooks or bulky folders filled with papers. With the click of a button, you can gain immediate access to valuable resources on any device. This convenience allows for efficient studying, researching, and reading on the go. Moreover, the cost-effective nature of downloading Introduction To Aircraft Performance Selection And Design has democratized knowledge. Traditional books and academic journals can be expensive, making it difficult for individuals with limited financial resources to access information. By offering free PDF downloads, publishers and authors are enabling a wider audience to benefit from their work. This inclusivity promotes equal opportunities for learning and personal growth. There are numerous websites and platforms where individuals can download Introduction To Aircraft Performance Selection And Design. These websites range from academic databases offering research papers and journals to online libraries with an expansive collection of books from various genres. Many authors and publishers also upload their work to specific websites, granting readers access to their content without any charge. These platforms not only provide access to existing literature but also serve as an excellent platform for undiscovered authors to share their work with the world. However, it is essential to be cautious while downloading Introduction To Aircraft Performance Selection And Design. Some websites may offer pirated or illegally obtained copies of copyrighted material. Engaging in such activities not only violates copyright laws but also undermines the efforts of authors, publishers, and researchers. To ensure ethical downloading, it is advisable to utilize reputable websites that prioritize the legal distribution of content. When downloading Introduction To Aircraft Performance Selection And Design, users should also consider the potential security risks associated with online platforms. Malicious actors may exploit vulnerabilities in unprotected websites to distribute malware or steal personal information. To protect themselves, individuals should ensure their devices have reliable antivirus software installed and validate the legitimacy of the websites

they are downloading from. In conclusion, the ability to download Introduction To Aircraft Performance Selection And Design has transformed the way we access information. With the convenience, cost-effectiveness, and accessibility it offers, free PDF downloads have become a popular choice for students, researchers, and book lovers worldwide. However, it is crucial to engage in ethical downloading practices and prioritize personal security when utilizing online platforms. By doing so, individuals can make the most of the vast array of free PDF resources available and embark on a journey of continuous learning and intellectual growth.

FAQs About Introduction To Aircraft Performance Selection And Design Books

How do I know which eBook platform is the best for me? Finding the best eBook platform depends on your reading preferences and device compatibility. Research different platforms, read user reviews, and explore their features before making a choice. Are free eBooks of good quality? Yes, many reputable platforms offer high-quality free eBooks, including classics and public domain works. However, make sure to verify the source to ensure the eBook credibility. Can I read eBooks without an eReader? Absolutely! Most eBook platforms offer web-based readers or mobile apps that allow you to read eBooks on your computer, tablet, or smartphone. How do I avoid digital eye strain while reading eBooks? To prevent digital eye strain, take regular breaks, adjust the font size and background color, and ensure proper lighting while reading eBooks. What the advantage of interactive eBooks? Interactive eBooks incorporate multimedia elements, quizzes, and activities, enhancing the reader engagement and providing a more immersive learning experience. Introduction To Aircraft Performance Selection And Design is one of the best book in our library for free trial. We provide copy of Introduction To Aircraft Performance Selection And Design in digital format, so the resources that you find are reliable. There are also many Ebooks of related with Introduction To Aircraft Performance Selection And Design. Where to download Introduction To Aircraft Performance Selection And Design online for free? Are you looking for Introduction To Aircraft Performance Selection And Design PDF? This is definitely going to save you time and cash in something you should think about.

Find Introduction To Aircraft Performance Selection And Design :

~~english writing and skills workbook~~

english through electrical and energy engineering

esthetics and biomechanics in orthodontics 2e

estetica estandar milady

essentials of obstetrics and gynecology textbook with able pda software

essentials of cost accounting for health care organizations

esp8266 sensor embedded

environment engineering by duggal pdf

falling leaves poem by margaret cameron summary

factoring polynomials test and answers

entrepreneurship final exam questions and answers bing

everyday hebrew phrases

expert systems objective type questions and answers

facility financial accounting and reporting system ffars

environmental and resources geochemistry of earth system mass transfer mechanism geochemical cycle and the influence of human activity

Introduction To Aircraft Performance Selection And Design :

gcse biology mark scheme unit 03 biology june 2014 mme - Oct 10 2023

web mark scheme gcse biology bl3hp june 2014 6 of 13 question answers extra information mark ao spec ref 1 a i 76 0 76

correct answer with or without working

b hlp airbus a330 343 cathay pacific flightradar24 - Aug 28 2022

web aircraft airbus a330 343 airline cathay pacific operator cathay pacific type code a333 code cx cpa code cx cpa mode s 780190 serial number

aqg gcse 9 1 biology past papers mark schemes gcse - Apr 04 2023

web june 2015 4401 biology unit 3 biology b3 higher bl3hp q a aqg june 2014 4401 science a unit 1 biology b1 foundation

bl1fp q a aqg june 2014 4401 science

gcse biology mark scheme unit 03 biology june 2016 - Jan 01 2023

web biology bl3hp mark scheme 4401 june 2016 version 1 0 final mark scheme mark schemes are prepared by the lead assessment writer and considered together with the

what happened on june 3 2014 on this day - Jun 25 2022

web jun 3 2014 1 song fancy iggy azalea featuring charli xcx 1 song i wanna feel secondcity jun 2 2014 dates in history jun 4 2014 what happened in 2014

hp müşteri desteği yazılım ve sürücü İndirmeleri - May 25 2022

web İşlemler Şunun için en güncel sürücüleri yazılımı ve aygıt yazılımını indirin hp laserjet 4345 Çok İşlevli yazıcı serisi bu site windows ve mac işletim sistemi için hp

[question paper paper 3h june 2014 bl3hp gcse biology](#) - Apr 23 2022

web paper code bl3hp view the question paper of paper 3h june 2014 of the gcse biology aqa 4401 syllabus question paper paper 3h june 2014 bl3hp gcse

[bl3hp june 2014 edms ncdmb gov ng](#) - Mar 03 2023

web sep 23 2023 bl3hp june 2014 5 of 13 quality of written communication and levels marking in question 2 students are required to produce extended written material in

general certificate of secondary education - Jun 06 2023

web general certificate of secondary education higher tier june 2014 biology bl3hp unit biology b3 tuesday 13 may 2014 9 00 am to 10 00 am for this paper you must have a

[paper 3h june 2014 bl3hp gcse biology aqa 4401 studydex](#) - Sep 09 2023

web paper code bl3hp view the question paper of paper 3h june 2014 of the gcse biology aqa 4401 syllabus

b hlp cathay pacific airbus a330 343 planespotters net - Jul 27 2022

web jul 24 2001 b hlu operator cathay pacific age 20 3 years status active airbus a330 343 with registration b hlp airframe details and operator history including first

[gcse biology mark scheme unit 03 biology june 2017](#) - Nov 30 2022

web biology bl3hp final mark scheme 4401 june 2017 version stage v1 0 mark schemes are prepared by the lead assessment writer and considered together with the

bl3hp june 2014 - Jan 21 2022

web aug 17 2023 june 2014 biology bl3hp unit biology b3 tuesday 13 may 2014 9 00 am to 10 00 am gcse biology mark scheme unit 03 biology june 2014 may 6th 2018

[bl3hp june 2014](#) - Feb 19 2022

web bl3hp june 2014 5 of 13 quality of written communication and levels marking in question 2 students are required to produce extended written material in english and will

[gcse biology mark scheme unit 03 biology june 2014](#) - Dec 20 2021

web apr 20 2022 aqa qualifications gcse biology bl3hp mark scheme 4401 june 2014 version 1 0 final

bgcse biology 2014 exam paper 10 pdf files past papers - Feb 02 2023

web here are 10 results for bgcse biology 2014 exam paper 1 0610 y14 sy pdf papers xtremepapers com 0610 biology syllabus 2014 papers syllabus

gcse biology mark scheme unit 03 biology june 2014 - Mar 23 2022

web aqa qualifications gcse biology bl3hp mark scheme 4401 june 2014 version 1 0 final

bl3hp june 2014 - Oct 30 2022

web sep 15 2023 may 2nd 2018 g kl 104035 jun14 e4 bl3hp jun14bl3hp01 general certificate of secondary education higher tier june 2014 biology bl3hp unit biology

paper 3h june 2014 bl3hp gcse biology aqa 4401 studydex - Jul 07 2023

web paper code bl3hp view the mark scheme of paper 3h june 2014 of the gcse biology aqa 4401 syllabus mark scheme paper 3h june 2014 bl3hp gcse biology aqa

gcse biology mark scheme unit 03 biology june 2014 - May 05 2023

web free essays homework help flashcards research papers book reports term papers history science politics

bl3hp 8 pdf files past papers archive - Aug 08 2023

web 1 aqa bl3hp qp jun14 pdf filestore aqa org uk general certificate of secondary education general certificate of secondary education higher tier june 2014 biology

bl3hp june 2014 uniport edu ng - Sep 28 2022

web apr 10 2023 bl3hp june 2014 1 6 downloaded from uniport edu ng on april 10 2023 by guest bl3hp june 2014 recognizing the pretentiousness ways to acquire this book

courting morrow little a novel paperback c july 1 - Sep 22 2021

courting morrow little a novel kindle edition - Jul 13 2023

web courting morrow little a novel laura frantz revell jul 1 2010 fiction 368 pages 66 reviews reviews aren t verified but google checks for and removes fake content when

courting morrow little 2010 edition open library - Jan 07 2023

web morrow little is haunted by the memory of the day her family was torn apart by raiding shawnee warriors now that she is nearly a grown woman and her father is ailing she

courting morrow little a novel amazon ca - Oct 04 2022

web select the department you want to search in

courting morrow little by laura frantz goodreads - Mar 29 2022

web morrow little is haunted by the memory of the day her family was torn apart by raiding shawnee warriors now that she is nearly a grown woman and her father

courting morrow little a novel paperback amazon com books - Feb 25 2022

web courting morrow little a novel kindle edition by laura frantz author format kindle edition 584 ratings see all formats and editions kindle edition 0 00 this title and over

courting morrow little a novel kindle edition amazon in - Dec 26 2021

web jul 1 2010 courting morrow little a novel english edition ebook frantz laura amazon de kindle store

courting morrow little a novel bookmetis - Jan 27 2022

web jul 1 2010 courting morrow little a novel ebook frantz laura amazon co uk kindle store

courting morrow little a novel kindle edition amazon ca - Sep 03 2022

web courting morrow little a novel audible audio edition laura frantz laura jennings laura frantz amazon ca books

courting morrow little a novel kindle edition - Mar 09 2023

web courting morrow little a novel by laura frantz 0 ratings 0 want to read 0 currently reading 0 have read

courting morrow little a novel amazon co uk - Apr 10 2023

web jul 1 2010 amazon co jp courting morrow little a novel english edition ebook frantz laura kindle store

[courting morrow little a novel paperback 1 july 2010](#) - Aug 02 2022

web stock no ww4363eb morrow little is haunted by the memory of the day her family was torn apart by raiding shawnee warriors now that she is nearly a grown woman and her

courting morrow little a novel audible audio edition laura - Jul 01 2022

web in that same spirit courting little morrow by laura frantz one of my favs brings to life the story of morrow and the crazy american west morrow little is haunted by the

[courting morrow little a novel english edition kindle edition](#) - Oct 24 2021

courting morrow little a novel english edition kindle edition - Feb 08 2023

web morrow little is haunted by the memory of the day her family was torn apart by raiding shawnee warriors now that she is nearly a grown woman and her father is ailing she

[courting morrow little a novel kindle edition amazon co uk](#) - Nov 24 2021

web buy courting morrow little a novel paperback c july 1 2010 by from amazon s fiction books store everyday low prices on a huge range of new releases and classic fiction

courting morrow little a novel frantz laura 9780800733407 - Nov 05 2022

web jul 1 2010 hello sign in account lists returns orders cart

courting morrow little a novel frantz laura free download - Aug 14 2023

web courting morrow little a novel by frantz laura publication date 2010 topics single women fiction frontier and pioneer life

kentucky fiction publisher grand rapids

courting morrow little ebook christianbook com - May 31 2022

web jan 1 2010 laura frantz 4 26 5 670 ratings 516 reviews morrow little is haunted by the memory of the day her family was torn apart by raiding shawnee warriors now that she

amazon com courting morrow little a novel audible audio - Apr 29 2022

web in that same spirit courting little morrow by laura frantz one of my favs brings to life the story of morrow and the crazy american west morrow little is haunted by the

courting morrow little a novel by laura frantz google - May 11 2023

web paperback 58 37 3 used from 17 34 2 new from 58 37 morrow little is haunted by the memory of the day her family was torn apart by raiding shawnee warriors now that she

[courting morrow little a novel laura frantz google books](#) - Jun 12 2023

web courting morrow little a novel laura frantz jul 2010 revell 4 8 star 99 reviews ebook 368 pages family home eligible info 8 99 ebook free sample about this ebook

[courting morrow little on apple books](#) - Dec 06 2022

web select the department you want to search in

[harmony graduate and wil internships 2023 sa internships](#) - Nov 28 2022

web oct 7 2022 streak of luck harmony gold mining invites unemployed graduates to apply for graduate internship student wil p1 p2 programme 2023 company harmony gold mining company limited date listed 07 october 2022 job type graduate internship work integrated learning p1 p2 location free state north west and gauteng

internships harmony co za - Apr 02 2023

web harmony gold mining company limited has internship and p1 p2 opportunities available for 2024 the opportunity is for graduates or diplomats and or applicants who require internship or experiential exposure to complete their qualifications

harmony gold mining learnerships 2023 2024 - Oct 08 2023

web jul 21 2015 harmony gold mining learnerships available harmony gold offers successful candidates tailor made development and training within all fields of their learnerships they aim to increase talented individual s expertise via skills training leadership development and supervisory management

harmony gold mining learnerships 2023 2024 ngfinders com - May 03 2023

web may 3 2021 harmony gold mining learnerships available harmony gold offers successful candidates tailor made development and training within all fields of their learnerships they aim to increase talented individuals expertise via skills training leadership development and supervisory management learnerships that may be

[about us harem altın](#) - Feb 17 2022

web about harem precious metals group the roots of harem gold and precious metals inc go back to the early 1980s in istanbul s world famous grand bazaar starting out with an industry leadership vision harem precious metals has placed utmost emphasis on customer trust and quality service since day one another important milestone for

mining learnerships 2023 2024 - Jul 25 2022

web mar 20 2015 harmony gold offers learnerships in the following fields in south africa mining engineering electrical engineering mechanical engineering human resources finance geology and more these learnerships provide practical work experience and theoretical education to individuals who wish to gain skills and knowledge in the mining

harmony gold learnerships internships jobs applications - Jun 04 2023

web oct 29 2022 harmony gold learnerships internships jobs applications harmony gold mining company limited has internship and p1 p2 opportunities available for 2023 the opportunity is for graduates or diplomats and or applicants who require internship or experiential exposure to complete their qualifications this opportunity is open to

harmony gold learnership internship application apply now - Sep 26 2022

web aug 7 2023 the harmony learnership program is a 12 month program that includes both theoretical and practical training participants will be able to gain practical experience while working on actual mining operations how does the learnership work

harmony gold engineering artisan learnership 2022 2023 - Mar 01 2023

web oct 5 2022 the harmony gold engineering artisan learnership based in the masimong mine operation is an eye opening opportunity for hard working learners passionate about the world of mining and minerals as a learner you will be required to attain theoretical knowledge regarding the industry s line of work

[harmony gold mining internships 2022 2023 careerkick24 com](#) - Jan 31 2023

web oct 8 2022 find the latest learnerships internships courses bursaries graduate jobs and other opportunities to study or to start your career on careerkick24 com search for harmony gold mining internships 2022 2023 posted on 08 10 2022 by admin harmony gold mining company limited invites unemployed graduates to apply for their internship

harmony gold mining learnerships 2023 2024 newlearnerships - Jul 05 2023

web may 3 2021 harmony gold mining learnerships available harmony gold offers successful candidates tailor made development and training within all fields of their learnerships they aim to increase talented individuals expertise via skills training leadership development and supervisory management learnerships that may be

harmony gold excited to be working with world s largest gold mining - Jun 23 2022

web 8 hours ago south africa s harmony gold on thursday expressed excitement at the prospect of working with the

newmont team as its new wafi golpu joint venture jv partner in papua new guinea png denver

harmony gold learnerships internships freerecruit co za - Dec 30 2022

web harmony gold learnerships internships by admin harmony gold invites unemployed graduates to apply for internship programme 2022 2023 harmony gold mining company limited has internship and p1 p2 opportunities available for 2023 the opportunity is for graduates or diplomats and or applicants who require internship or experiential

harmony gold mining learnerships 2024 2025 mytopschools - Apr 21 2022

web sep 24 2023 harmony gold mining learnerships available harmony gold offers successful candidates tailor made development and training within all fields of their learnerships they aim to increase talented individual s expertise via skills training leadership development and supervisory management

harmony gold mining company p1 p2 internships 2024 - Oct 28 2022

web oct 23 2023 harmony gold mining company limited offers internship and p1 p2 opportunities for 2024 open to graduates and those seeking experiential exposure to complete their qualifications this opportunity is available to applicants in local harmony operating communities and children of harmony employees

apply for harmony gold learnership programme 2023 x32 posts - Sep 07 2023

web oct 6 2022 harmony gold mining company limited invites applications for the p1 p2 work integrated learning opportunities available for 2023 the opportunity is for applicants who require experiential exposure to complete their qualifications

harmony gold mine internships 2023 2024 how to apply - May 23 2022

web sep 30 2023 harmony gold mine internship programme 2023 2024 the opportunity is for unemployed graduates and applicants who require an internship or experiential exposure to complete their qualifications this opportunity is open to applicants who reside in our local communities where harmony gold mining company limited is operating

turkish company eyes 100 tons of gold production daily sabah - Mar 21 2022

web feb 23 2021 turkey produced nearly 340 tons of gold between 2001 and 2019 according to the turkish gold miners association amd data dođu biga mining said the amount to be paid to the country as tax through its projects is estimated to be around 1 72 billion the company also looks to employ 1 000 people directly and 2 000 people through service

harmony gold mining company p1 p2 internships 2024 - Aug 26 2022

web oct 24 2023 harmony gold mining company limited offers internship and p1 p2 opportunities for 2024 open to graduates and those seeking experiential exposure to complete their qualifications this opportunity is available to applicants in local harmony operating communities and children of harmony employees

harmony gold learnerships application 2024 2025 applysa - Aug 06 2023

Introduction To Aircraft Performance Selection And Design

web harmony gold learnerships are available to candidates who wish to pursue a career in one of the following fields
engineering metallurgy mining mineral resources ore reserve management mechanic boilermaker plater electrician rock
breaker fitter human resources welder