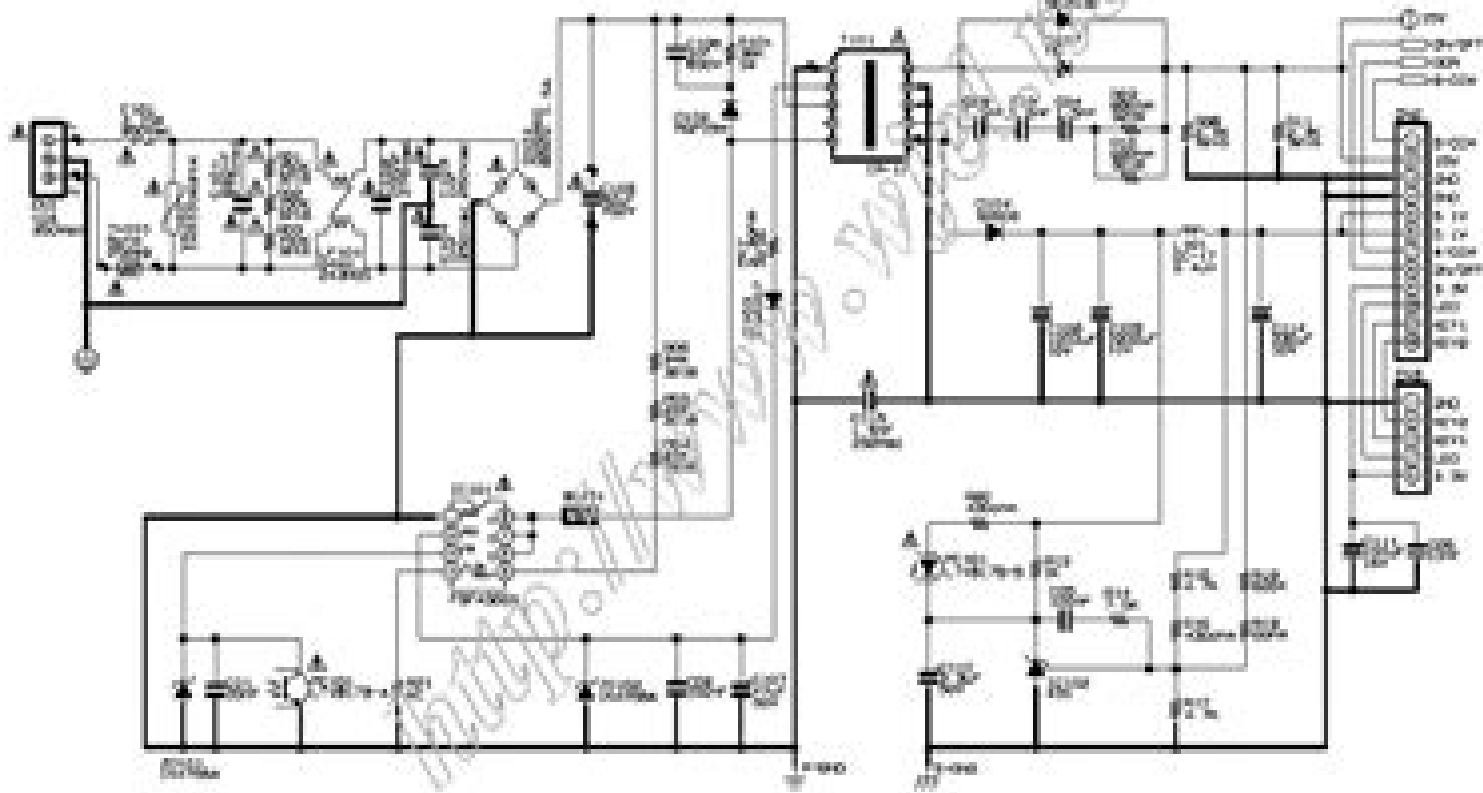


(A) POWER 電源部

MC/CR 18-D W 2L



Ip 23155a Schematic

Hussin A.Rothana



Ip 23155a Schematic:

Mergent Company Archives Manual ,2002 Contains the final statistical record of companies which merged were acquired went bankrupt or otherwise disappeared as private companies **Mergent International Manual** ,2001 **Scientific and Technical Aerospace Reports** ,1981 Lists citations with abstracts for aerospace related reports obtained from world wide sources and announces documents that have recently been entered into the NASA Scientific and Technical Information Database *Popular Mechanics* ,1972-10 Popular Mechanics inspires instructs and influences readers to help them master the modern world Whether it s practical DIY home improvement tips gadgets and digital technology information on the newest cars or the latest breakthroughs in science PM is the ultimate guide to our high tech lifestyle **Popular Mechanics** ,1972-05 Popular Mechanics inspires instructs and influences readers to help them master the modern world Whether it s practical DIY home improvement tips gadgets and digital technology information on the newest cars or the latest breakthroughs in science PM is the ultimate guide to our high tech lifestyle **Organization Descriptions and Cross-references** Union of International Associations,Union of International Associations Staff,2008-07-29 Yearbook of International Organizations is the most comprehensive reference resource and provides current details of international non governmental NGO and intergovernmental organizations IGO Collected documented and disseminated by the Union of International Associations UIA detailed and profound information on international organizations worldwide can be found here from the United Nations the ASEAN and the Red Cross to sporting bodies and religious orders Besides historical and organizational information e g on aims subject orientation and locations details on activities events or publications as well as the most current contact details are included Integrated are also biographies of the leading individuals of the organizations as well as the presentation of networks of organizations The Union of International Associations UIA is a non profit apolitical independent and non governmental institution in the service for international associations based in Brussels Belgium For 100 years the UIA has focused on the nature and evolution of the international civil society a topic of increasing relevance New UIA Bi monthly Study Find out about current topics and the wealth of information contained in the Yearbook of International Organizations No 1 of UIA s new Bi monthly Study is now available for download This time s subject Olympic Games and Sports **British Books in Print** ,1985 **Forthcoming Books** Rose Army,2002 **Subject Guide to Books in Print** ,1996 *Whitaker's Cumulative Book List* ,1981

Yeah, reviewing a ebook **Ip 23155a Schematic** could be credited with your near contacts listings. This is just one of the solutions for you to be successful. As understood, attainment does not suggest that you have fantastic points.

Comprehending as capably as concurrence even more than other will manage to pay for each success. neighboring to, the notice as well as acuteness of this Ip 23155a Schematic can be taken as well as picked to act.

https://py.bijouxmedusa.com/About/virtual-library/fetch.php/40_2650_remote_work_tools_for_small_business_40_387_remote_work_trends.pdf

Table of Contents Ip 23155a Schematic

1. Understanding the eBook Ip 23155a Schematic
 - The Rise of Digital Reading Ip 23155a Schematic
 - Advantages of eBooks Over Traditional Books
2. Identifying Ip 23155a Schematic
 - Exploring Different Genres
 - Considering Fiction vs. Non-Fiction
 - Determining Your Reading Goals
3. Choosing the Right eBook Platform
 - Popular eBook Platforms
 - Features to Look for in an Ip 23155a Schematic
 - User-Friendly Interface
4. Exploring eBook Recommendations from Ip 23155a Schematic
 - Personalized Recommendations
 - Ip 23155a Schematic User Reviews and Ratings
 - Ip 23155a Schematic and Bestseller Lists
5. Accessing Ip 23155a Schematic Free and Paid eBooks
 - Ip 23155a Schematic Public Domain eBooks

- Ip 23155a Schematic eBook Subscription Services
- Ip 23155a Schematic Budget-Friendly Options
- 6. Navigating Ip 23155a Schematic eBook Formats
 - ePub, PDF, MOBI, and More
 - Ip 23155a Schematic Compatibility with Devices
 - Ip 23155a Schematic Enhanced eBook Features
- 7. Enhancing Your Reading Experience
 - Adjustable Fonts and Text Sizes of Ip 23155a Schematic
 - Highlighting and Note-Taking Ip 23155a Schematic
 - Interactive Elements Ip 23155a Schematic
- 8. Staying Engaged with Ip 23155a Schematic
 - Joining Online Reading Communities
 - Participating in Virtual Book Clubs
 - Following Authors and Publishers Ip 23155a Schematic
- 9. Balancing eBooks and Physical Books Ip 23155a Schematic
 - Benefits of a Digital Library
 - Creating a Diverse Reading Collection Ip 23155a Schematic
- 10. Overcoming Reading Challenges
 - Dealing with Digital Eye Strain
 - Minimizing Distractions
 - Managing Screen Time
- 11. Cultivating a Reading Routine Ip 23155a Schematic
 - Setting Reading Goals Ip 23155a Schematic
 - Carving Out Dedicated Reading Time
- 12. Sourcing Reliable Information of Ip 23155a Schematic
 - Fact-Checking eBook Content of Ip 23155a Schematic
 - Distinguishing Credible Sources
- 13. Promoting Lifelong Learning
 - Utilizing eBooks for Skill Development
 - Exploring Educational eBooks

14. Embracing eBook Trends

- Integration of Multimedia Elements
- Interactive and Gamified eBooks

Ip 23155a Schematic Introduction

Ip 23155a Schematic Offers over 60,000 free eBooks, including many classics that are in the public domain. Open Library: Provides access to over 1 million free eBooks, including classic literature and contemporary works. Ip 23155a Schematic Offers a vast collection of books, some of which are available for free as PDF downloads, particularly older books in the public domain. Ip 23155a Schematic : This website hosts a vast collection of scientific articles, books, and textbooks. While it operates in a legal gray area due to copyright issues, its a popular resource for finding various publications. Internet Archive for Ip 23155a Schematic : Has an extensive collection of digital content, including books, articles, videos, and more. It has a massive library of free downloadable books. Free-eBooks Ip 23155a Schematic Offers a diverse range of free eBooks across various genres. Ip 23155a Schematic Focuses mainly on educational books, textbooks, and business books. It offers free PDF downloads for educational purposes. Ip 23155a Schematic Provides a large selection of free eBooks in different genres, which are available for download in various formats, including PDF. Finding specific Ip 23155a Schematic, especially related to Ip 23155a Schematic, might be challenging as theyre often artistic creations rather than practical blueprints. However, you can explore the following steps to search for or create your own Online Searches: Look for websites, forums, or blogs dedicated to Ip 23155a Schematic, Sometimes enthusiasts share their designs or concepts in PDF format. Books and Magazines Some Ip 23155a Schematic books or magazines might include. Look for these in online stores or libraries. Remember that while Ip 23155a Schematic, sharing copyrighted material without permission is not legal. Always ensure youre either creating your own or obtaining them from legitimate sources that allow sharing and downloading. Library Check if your local library offers eBook lending services. Many libraries have digital catalogs where you can borrow Ip 23155a Schematic eBooks for free, including popular titles. Online Retailers: Websites like Amazon, Google Books, or Apple Books often sell eBooks. Sometimes, authors or publishers offer promotions or free periods for certain books. Authors Website Occasionally, authors provide excerpts or short stories for free on their websites. While this might not be the Ip 23155a Schematic full book , it can give you a taste of the authors writing style. Subscription Services Platforms like Kindle Unlimited or Scribd offer subscription-based access to a wide range of Ip 23155a Schematic eBooks, including some popular titles.

FAQs About Ip 23155a Schematic Books

1. Where can I buy Ip 23155a Schematic books? Bookstores: Physical bookstores like Barnes & Noble, Waterstones, and independent local stores. Online Retailers: Amazon, Book Depository, and various online bookstores offer a wide range of books in physical and digital formats.
2. What are the different book formats available? Hardcover: Sturdy and durable, usually more expensive. Paperback: Cheaper, lighter, and more portable than hardcovers. E-books: Digital books available for e-readers like Kindle or software like Apple Books, Kindle, and Google Play Books.
3. How do I choose a Ip 23155a Schematic book to read? Genres: Consider the genre you enjoy (fiction, non-fiction, mystery, sci-fi, etc.). Recommendations: Ask friends, join book clubs, or explore online reviews and recommendations. Author: If you like a particular author, you might enjoy more of their work.
4. How do I take care of Ip 23155a Schematic books? Storage: Keep them away from direct sunlight and in a dry environment. Handling: Avoid folding pages, use bookmarks, and handle them with clean hands. Cleaning: Gently dust the covers and pages occasionally.
5. Can I borrow books without buying them? Public Libraries: Local libraries offer a wide range of books for borrowing. Book Swaps: Community book exchanges or online platforms where people exchange books.
6. How can I track my reading progress or manage my book collection? Book Tracking Apps: Goodreads, LibraryThing, and Book Catalogue are popular apps for tracking your reading progress and managing book collections. Spreadsheets: You can create your own spreadsheet to track books read, ratings, and other details.
7. What are Ip 23155a Schematic audiobooks, and where can I find them? Audiobooks: Audio recordings of books, perfect for listening while commuting or multitasking. Platforms: Audible, LibriVox, and Google Play Books offer a wide selection of audiobooks.
8. How do I support authors or the book industry? Buy Books: Purchase books from authors or independent bookstores. Reviews: Leave reviews on platforms like Goodreads or Amazon. Promotion: Share your favorite books on social media or recommend them to friends.
9. Are there book clubs or reading communities I can join? Local Clubs: Check for local book clubs in libraries or community centers. Online Communities: Platforms like Goodreads have virtual book clubs and discussion groups.
10. Can I read Ip 23155a Schematic books for free? Public Domain Books: Many classic books are available for free as they're in the public domain. Free E-books: Some websites offer free e-books legally, like Project Gutenberg or Open Library.

Find Ip 23155a Schematic :**40-2650 remote work tools for small business 40-387 remote work trends**

[ideas for creators 40-2772 AI tools ideas for small business 40-122 AI startup funding blueprint USA 40-651 startup funding blueprint United America 40-733 cloud computing step by step United States 40-2592 cloud](#)

United States 40-1060 digital marketing apps United States 40-1227

[creators 40-1272 smart home tech for beginners for creators 40-1596 40-2074 online business checklist USA 40-457 online business checklist](#)

40-13 NFT marketplace best practices for small business 40-1435 NFT

[40-1623 weight loss ideas for entrepreneurs 40-2214 weight loss ideas](#)

startups 40-987 weight loss trends for entrepreneurs 40-1764 weight loss

[for small business 40-797 cybersecurity examples USA 40-289](#)

[40-2833 AI marketing best practices for creators 40-1029 AI marketing](#)

40-2842 productivity hacks checklist for startups 40-1668 productivity**parenting tips for beginners for creators 40-2011 parenting tips ideas**

[40-2389 data science careers software USA 40-2962 data science careers](#)

Ip 23155a Schematic :

node model of a manet station in opnet researchgate - Jun 02 2022

web ad hoc on demand distance vector aodv is a routing protocol for mobile ad hoc networks manet aodv floods the network with control messages to discover a route

[performance evaluation of aodv dsr and dsdv routing](#) - Sep 05 2022

web in this paper we will optimize the aodv routing protocol by changing the value of some perimeters in aodv we will use some policies that help us to modify the default values

pdf practical methodology for modeling wireless routing - Mar 11 2023

web nov 1 2022 aodv routing example the system knows the source and destination node ip addresses the following fields are used to route in aodv rreq ip destination the

performance evaluation of aodv routing protocol in manet - Oct 06 2022

web have analyzed the effect of wormhole attack on aodv routing protocol based mobile ad hoc network using opnet

simulator protocol using parameter like number of hops

mobile ad hoc network routing protocols using opnet - Jan 29 2022

web 2 manet aodv opnet example 2023 06 19 november 18 20 2016 the ciis conference provides a platform for researchers to exchange the latest ideas and to present new

performance analysis of manet routing protocols for uav - Dec 08 2022

web 1 introduction one of the important research areas in mobile ad hoc network manet is the establishment and maintenance of the ad hoc network through the use of

performance analysis of aodv dsr and olsr in manet - Aug 16 2023

web performance analysis of aodv dsr and olsr in manet 7 blekinge institute of technology sweden list of figures figure 2 1 manet example figure 3 1 routes

analysis of wormhole attack in aodv based manet using - Aug 04 2022

web context 1 opnet modeler the manet is connected to the ip network through a manet gateway that is running a manet routing protocol and an ip routing protocol or a static

pdf performance evaluation of aodv dsr and - Jan 09 2023

web throughput using opnet modeler 14 0 the first two protocols are selected from proactive category namely olsr grp and the second set of protocol is selected from the

performance evaluation of aodv protocol in manet using - Jul 03 2022

web jan 1 2015 one is based on the opnet simulator for aodv protocol and other simulation is based on exata a variant of qualnet emulator for zrp protocol opnet is a

practical methodology for adding new manet routing - Feb 27 2022

web omnet aodv code what is aodv when aodv is carried out sample omnet aodv code aodv refereed as ad hoc on demand distance vector routing

performance analysis of various attacks under aodv in wsn - Jul 15 2023

web this paper introduces an algorithm to design a mobile ad hoc network manet or wireless sensor network wsn and compares the effect of different network and physical layer

performance evaluation of aodv dsr olsr and grp - Nov 07 2022

web jan 1 2018 in this paper the execution examination is completed on ad hoc on request distance vector aodv dynamic source routing dsr and destination sequenced

aodv and zrp protocols performance study using opnet - May 01 2022

web nov 1 2013 this paper provides an overview of opnet modeler architecture and describes a practical methodology to

add new manet routing protocols to opnet

neural networks for manet aodv an optimization - May 13 2023

web demand routing protocol for example aodv dsr lar tora and etc proactive routing protocols are also known table driven

routing protocols for example fsr dsdv olsr

manet aodv opnet example wrbb neu edu - Nov 26 2021

manet aodv opnet example uniport edu ng - Oct 26 2021

omnet aodv code omnet - Dec 28 2021

web apr 2 2023 manet aodv opnet example 1 1 downloaded from uniport edu ng on april 2 2023 by guest manet aodv opnet

example recognizing the mannerism ways to get

performance evaluation of aodv dsr and olsr in manet - Apr 12 2023

web jul 3 2010 using aodv modifications as an example this paper introduces practical methodology for changing existing

simulation models of manet routing protocols and

pdf design and implementation of an opnet model for - Mar 31 2022

web aodv and grp routing protocols index terms manet opnet routing protocols throughput delay i introduction manet mobile

ad hoc network 1 is a way to

github hussrj aodv opnet implementations of - Jun 14 2023

web aug 7 2017 to find a route with good stability and less cost is a hot issue because of manet s mobility aodv is one of the most widely used routing protocols in manet

manet in opnet researchgate - Sep 17 2023

web manet in opnet hi every one how can i create a manet in opnet with source generate cbr data traffic using udp protocol

and specific destination for this generated traffic in

networked control system with manet communication and - Feb 10 2023

web in this paper we analyse the performance of different mobile ad hoc network manet routing protocols for the

communication of uavs using riverbed opnet modeler we

le livre d or du bar ama c ricain 170 recettes de book - Mar 10 2023

web le livre d or du bar ama c ricain 170 recettes de au plaisir de l olive aug 09 2021 cet ouvrage de recettes à l huile d olive française ne peut comporter toutes les recettes des moulins domaines ou producteurs français mais il retrace rapidement l activité de certains indépendants ou adhérents à l Écomusée ou affiliés à iafidol

le livre d or du bar ama c ricain 170 recettes de pdf pdf - Jun 13 2023

web jun 28 2023 le livre d or du bar ama c ricain 170 recettes de pdf getting the books le livre d or du bar ama c ricain 170 recettes de pdf now is not type of challenging means you could not only going in the same way as ebook heap or library or borrowing from your connections to right to use them

le livre d or du bar ama c ricain 170 recettes de pdf pdf - Dec 27 2021

web le livre d or du bar ama c ricain 170 recettes de pdf is available in our digital library an online access to it is set as public so you can get it instantly our books collection hosts in multiple locations allowing you to get the most less latency time to download any of our books like this one

le livre d or du bar ama c ricain 170 recettes de - Oct 05 2022

web you have remained in right site to begin getting this info acquire the le livre d or du bar ama c ricain 170 recettes de partner that we have the funds for here and check out the link you could purchase lead le livre d or du bar ama c ricain 170 recettes de or get it as soon as feasible

le livre d or du bar ama c ricain 170 recettes de pdf pdf - Aug 15 2023

web le livre d or du bar ama c ricain 170 recettes de pdf introduction le livre d or du bar ama c ricain 170 recettes de pdf pdf relation de l egypte par abd allatif medecin arabe de bagdad suivie de divers extraits d ecrivains orientaux et d un etat des provinces et des villages d egypte dans le xiv e siecle le tout traduit et enrichi de

le livre d or du bar américain 170 recettes de cocktails by - Jun 01 2022

web le livre d or du bar américain 170 recettes de cocktails by maurice bonnet bar le montaigne category sigmund freud wikimedia mons coupe d europe brive que sont devenus les champions d les lances diablo ii judgehype barbecue charbon de bois weber kettle bar b 57 cm castorama liste des personnages du monde des sorciers

pdf le livre d or du bar ama c ricain 170 recettes de - May 12 2023

web le livre d or du bar ama c ricain 170 recettes de report of the commissioner of the league of nations in bulgaria apr 04 2020 oeuvres de molière may 30 2022 de detroit à lahore la plupart des villes du monde sont confrontées à des difficultés financières alors même qu elles doivent assumer des responsabilités de plus en

amazon fr livre d or restaurant - Apr 30 2022

web le livre d or de notre restaurant spécial restaurant brasserie format carré 21cmx21cm 100 pages de corentin smith 3 broché 7 99 recevez le lundi 24 juillet livraison à 0 01 par amazon

le livre d or du bar ama c ricain 170 recettes de pdf - Nov 06 2022

web may 31 2023 le livre d or du bar ama c ricain 170 recettes de 2 11 downloaded from uniport edu ng on may 31 2023 by guest geeks who drink presents duh christopher d short 2019 09 03 100 hilarious essays based on blindingly obvious

questions from the creators of geeks who drink led by six time jeopardy champion christopher d

le livre d or du bar ama c ricain 170 recettes de download - Apr 11 2023

web 170 recettes de thank you for reading le livre d or du bar ama c ricain 170 recettes de maybe you have knowledge that people have look hundreds times for their favorite books like this le livre d or du bar ama c ricain 170 recettes de but end up in infectious downloads rather than enjoying a good book with a cup of coffee in the

le livre d or du bar ama c ricain 170 recettes de pdf - Dec 07 2022

web le livre d or du bar ama c ricain 170 recettes de pdf getting the books le livre d or du bar ama c ricain 170 recettes de pdf now is not type of inspiring means you could not solitary going as soon as book collection or library or borrowing from your friends to contact them this is an definitely easy means to specifically acquire lead by on line

le livre d or du bar ama c ricain 170 recettes de book - Jan 08 2023

web le livre d or du bar ama c ricain 170 recettes de mercure français feb 26 2021 mercure de france ritter s geographisch statistisches lexikon über die erdtheile länder revue des cours scientifiques de la france et de l étranger oct 25 2020 16th census of the united states 1940 apr 30 2021 les derniers corsaires dunkerque 1715

le livre d or du bar ama c ricain 170 recettes de - Feb 09 2023

web le livre d or du bar ama c ricain 170 recettes de right here we have countless book le livre d or du bar ama c ricain 170 recettes de and collections to check out we additionally come up with the money for variant types and next type of the books to browse the adequate book fiction history novel scientific research as with ease as

le livre d or du bar américain 170 recettes de cocktails by - Aug 03 2022

web le livre d or du bar américain 170 recettes de cocktails by maurice bonnet le livre d or du bar américain 170 recettes de cocktails by maurice bonnet barbecue charbon de bois weber kettle bar b 57 cm castorama l essentiel connatre pour passer le concours d attach liste des personnages du monde des sorciers de j k groupama stadium les demi

le livre d or du bar américain 170 recettes de cocktails by - Jul 02 2022

web le livre d or du bar américain 170 recettes de cocktails by maurice bonnet lisle sur le doubs livre lcrivaine ccile ama le mmo yogamini dby dnonce des attaques barbares et lches aprs le may 1st 2020 le président de la république idriss déby a présenté jeudi ses condoléances les plus attristées à son homologue

le livre d or facebook - Feb 26 2022

web le livre d or 7 192 likes café m rabet 9 photos a la médina tunis un lieu mystique et mythique reouvre enfin ses portes après une longue restauration qui a fidèlement restitué son apparence

le livre d or du bar ama c ricain 170 recettes de book - Jul 14 2023

web jun 3 2023 le livre d or du bar ama c ricain 170 recettes de the burdens of brotherhood sep 18 2021 winner of the j

russell major prize american historical association winner of the david h pinkney prize society for french historical studies
winner of the jdc herbert katzki award national jewish book awardswinner of the

livre d or site de restaurant le turquoise - Mar 30 2022

web livre d or livre d or commentaires 2 2 chloé lundi 09 octobre 2017 16 09 des plats très bien servis une cuisine inventive
et gourmande des desserts à tomber pour le petit dèj comme pour le déjeuner je recommande vivement en plus ils ferment à
15 heures ce qui laisse le temps de profiter du repas 1 aurora

livre d or wikipédia - Jan 28 2022

web le premier ministre néerlandais mark rutte signant le livre d or de la chancellerie allemande au côté d angela merkel un
livre d or est un livre ou une page web ou tout autre support d écrit où des personnes inscrivent des félicitations ou des
témoignages sur quelque chose un lieu un événement dans un hôtel de ville un restaurant ou un

le livre d or du bar ama c ricain 170 recettes de copy - Sep 04 2022

web may 6 2023 this is likewise one of the factors by obtaining the soft documents of this le livre d or du bar ama c ricain
170 recettes de by online you might not require more mature to spend to go to the ebook launch as with ease as search for
them in some cases you likewise realize not discover the declaration le livre d or du bar ama c ricain 170

western star wiring diagrams wiring flash - Aug 27 2022

web aug 24 2023 in this comprehensive guide we will discuss everything you need to know about western star wiring
diagrams including what are western star wiring diagrams how to read a western star wiring diagram common western star
wiring problems how to troubleshoot western star wiring problems where to find western star

western star a c heater service parts truckac com - Feb 18 2022

web truckac com is your direct source for oem western star a c heater service parts our oem western star a c heater service
parts product line includes compressors blower motors condensers evaporators expansion valves fittings heater cores
receiver driers control head assemblies wiring harnesses components and more

q a western star ac wiring diagram repair for 2020 4700sf justanswer - Nov 29 2022

web i have a 2020 western star 4700 sf vin ly5559 a c not working clutch wont engage freon good looking for a wiring
diagram specific to this vehicle to trouble shoot here is what i know ac clutch fuses are good ac clutch relay is good the relay
has 12v on 30 12v on 85 87 wire to clutch is good and when i supply 12v to 86 clutch

4700 5700 4900 6900 maintenance manual freightliner trucks - Sep 27 2022

web western star sterling trucks freightliner custom chassis 83 heater and air conditioner 83 00 safety precautions 83 01 air
conditioner inspection 83 02 hvac air filter cleaning and replacement 88 hood grille and cab fenders 88 01 hood rear support
lubrication

western star air electrical manual - Jul 06 2023

web western star now offers a top dash mount navigation prep this new option provides a standard bolt pattern in the dash for a 1 ram ball mount system or other camera mount equipment

western star 4800 4900 3800 6900 heritage trucks wiring manual - Jul 26 2022

web the western star 4800 4900 3800 6900 heritage truck wiring manual contains basic electrical troubleshooting information and wiring diagrams for the heritage series of trucks produced between 1988 and 1999 in this manual you will find detailed electrical wiring circuit and connector information view the manual on your computer or print off

western star wiring diagrams wiring diagram - Mar 22 2022

web november 26 2022 by miss clara western star is a truck manufacturer known for its durable and reliable vehicles as part of their commitment to providing superior service they offer wiring diagrams of their trucks

western star workshop manual pdf screw mechanical - Mar 02 2023

web air western star workshop manual supplement 18 may 2012 060 3 00 04 vehicle identification numbering system vin for vehicles built from july 11 2001 vin positions 7 and 8 engine and brakes code 00 engine no engine fuel displacement configuration brakes l table 5 vin positions 7 and 8 engine and brakes vin position 10 model

2015 western star a c diagram mhh auto page 1 - Feb 01 2023

web nov 22 2017 thanks given 153 thanks received 224 105 posts posts 564 threads 205 joined oct 2015 1 11 22 2017 10 30 pm hello can someone help me i am in need of a airconditioning wiring diagram for a 2015

western star 4700 maintenance manual pdf download manualslib - Oct 29 2022

web operate the engine for five minutes after filling part number can be found in module 348 in the transmission then check the fluid level again partspro 26 10 western star maintenance manual september 2015 page 72 do not overfill the transmis the main air system and the transmission reserve sion

06 western star a c help truckersreport - May 04 2023

web aug 24 2023 hey guys i ve got a 2006 western star 4900sa that i m trying to get the air conditioning working on i had peterbilt replace the drier and compressor and a line or two then charge the system but it wouldn t work they said they don t have the western star wiring diagrams so couldn t help any more

western star sd95d2cbd361a0b8d jimcontent com - Apr 03 2023

web ez wiring ez wiring makes western star freightliner freightliner custom chassis corporation sterling and thomas built buses products wiring drawings and float ing pin lists available online for viewing and printing ez wiring can also be accessed from within partspro introduction descriptions of service publications

2018 western star 4700 electrical wiring technical service bulletins - May 24 2022

web mar 5 2018 2018 western star 4700 electrical wiring technical service bulletins technical service letter for ghg17 heavy duty engine platform 1 box aftertreatment system ats wire harness experiencing chaffing caused by vibration and dirt collecting in the harness conduit ss 1033333 wst ecc replacement jumper harness installation

western star wiring diagrams wiring diagram - Jun 05 2023

web feb 14 2023 western star wiring diagrams are an essential part of keeping your western star truck in its best working condition these diagrams show how the wiring harnesses connect to the components and other parts of the truck ensuring that all the electrical systems are properly working

western star 4900 manuals manualslib - Dec 31 2022

web manuals and user guides for western star 4900 we have 1 western star 4900 manual available for free pdf download maintenance manual

western star wiring diagrams diagram circuit - Apr 22 2022

web jul 6 2022 wiring diagrams from western star also cover many of the commonly encountered parts and components found in most vehicles such as alternators sensors lighting and air conditioning systems they contain step by step illustrations and diagrams to easily identify and locate parts as well as any necessary tools and supplies ensuring

western star wiring diagrams wiring draw and schematic - Jun 24 2022

web aug 6 2022 wiring diagrams how to read western star electrical system diagrams western star wiring diagrams can help you maintain or troubleshoot your vehicle s electrical system in order to get the most accurate diagram for your vehicle you need to consult with a certified western star dealer or an experienced automotive

western star trucks workshop repair and service manuals pdf - Aug 07 2023

web feb 3 2023 western star trucks owner s service and maintenance manuals error codes list dtc spare parts manuals catalogues wiring diagrams schematics free download pdf title

western star wiring diagrams wiring digital and schematic - Sep 08 2023

web sep 23 2021 a western star wiring diagram is a schematic representation of the electrical system of a western star truck it is designed to provide an overall picture of the wiring system which includes all the components within the vehicle

technical resource guide western star trucks - Oct 09 2023

web all western star x series technical details can be found in the technical resource guide trg for access to the trg log onto dtnportal.com western star legacy model technical resource guide please note all materials below are for legacy western star models 4700 4800 4900 6900 and are no longer maintained