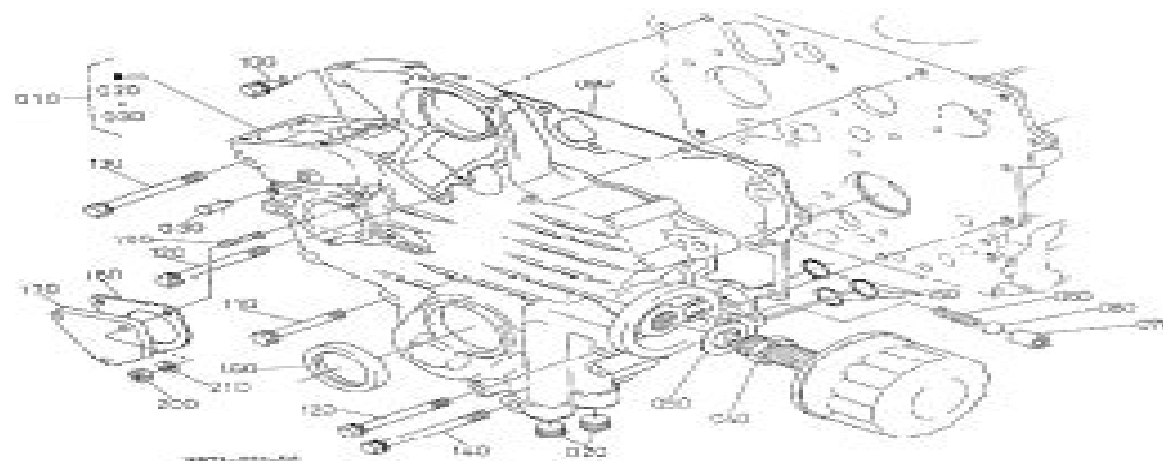


0004

**GEAR CASE
CARTER DE DISTRIBUTION
GETRIEBEGEHAUSE**


16873-000-10

A:DT22-ERR-EC-STD-2

ILL. NO. FIG. N°	PART NO. REFERENCE BEZEL- Nr.	PART NAME	DESIGNATION	BEZEICHNUNG	STUDOLC No.		I. C.	SPARTEIL REPARATUR- BEZEICHNUNG
					A	B		
010	16889-0402-0	CRWP. CASE, GEAR	CARTER DISTR. COMP.	KMP. GETRIEBEGEHAUSE	1	-		
020	16851-9601-0	FLIE	BOUCHON	STÖPFEN	2	-		
030	15841-5628-0	PIN, START SPRING	GOURILLE DU RESSORT	STARTFEDERSTIFT	1	-		
040	15241-3229-0	JOINT, PIPE	RACCORD DE TIRAG	VERBINDUNGSSTUECK	1	-		
050	15841-9401-0	WASHER, PLAIN	RONDELLE FREIN	SCHREIBE	1	-		
060	16851-3695-0	SPRING	RESSORT	FEDER	1	-		
070	15841-3693-0	SEAT, VALVE	SIEGE DE SOUPEPE	SITZ, VENTIL	1	-		
080	07715-03211	BALL	BIJULE	KUGEL	1	-		
090	15862-0413-2	GASKET, GEAR CASE NR	JOINT DE CARTER-015.	DICHTUNG, GETR. GET	1	-		
100	01023-60618	BELT	VIT	BOLZEN	1	-		
110	01023-60650	BELT	VIT	BOLZEN	8	-		
120	15841-0101-0	BELT	VIT	BOLZEN	5	-		
130	01023-60670	BELT	VIT	BOLZEN	1	-		
140	01023-60675	BELT	VIT	RAIFEN	1	-		
150	04814-08130	O RING	JOINT TORIQUE	O RING	3	-		
160	15877-0414-0	SEAL, OIL	BASE JOINT	ÖLDICHTENSRING	1	-		
170	19461-8334-0	COVER	COUVERCLE	DECKEL	1	-		
180	10461-8813-2	GASKET, H/W GEAR CASE	JOINT	DICHTUNG	1	-		
190	15271-8821-0	STD	GOIJON	STEBBOLZEN	3	-		
200	02056-50060	NUT	ECROU	MUTTER	3	-		
210	04512-60060	WASHER, SPRING	RONDELLE GRWER	FEDERRING	3	-		

↔ Interchangeable; ↗ not interchangeable; 0 - new for old; → old for new

6d22 Engine Part Catalog

Ying Liu



6d22 Engine Part Catalog:

Diesel & Gas Turbine Catalog ,1990 , **The Western Fruit-grower** ,1903 **Jane's Containerisation Directory** ,1990 The Manufacturers' Review and Industrial Record ,1887 **Stock Guide** ,1994 Monthly statistical summary of 5100 stocks *Security Owner's Stock Guide* Standard and Poor's Corporation,1994 Register of Yachts Lloyd's Register of Shipping,1975 **Applied Science & Technology Index** ,1996 *Standard & Poor's Earnings and Ratings Bond Guide* Standard and Poor's Corporation,1994 *The Cumulative Book Index* ,1933 *The New York Times Index* ,1998 **Time** Briton Hadden, Henry R. Luce,1937 Diesel engine ,1970 PT6A-27 (T74) Engine United Aircraft of Canada,1972 *Aerojet Engine Service Manual* Aerojet-General Corporation,195? **Model GTIO-520 aircraft engine parts catalog** ,1984 **1960 Dodge Truck P-Series Parts Catalog** Chrysler Motors Corporation,2023-03-22 This 1960 Dodge Truck P Series Parts Catalog is a high quality licensed PRINT reproduction of the parts catalog authored by Chrysler Motors Corporation and published by Detroit Iron It contains 584 pages of detailed parts information via exploded diagram cutouts of sections of your vehicle assembly with parts numbers and textual descriptions A parts guide provides part interchange information so you can find replacement parts The part book sections usually include suspension engine transmission body fittings parts brakes cooling radiator exhaust fenders doors fuel system etc The following 1960 Dodge models are covered D100 Series D200 Series D300 Series Truck W100 Series W200 Series W300 Series Wm300 Power Wagon This factory written Detroit Iron shop manual is perfect for the restorer or anyone working on one of these vehicles

D333 Engine Parts Catalog Serial Numbers 58B1-UP. Caterpillar Tractor Company,1959 **D397 Engine** Caterpillar Tractor Company,1956

This Engaging World of E-book Books: A Comprehensive Guide Revealing the Advantages of Kindle Books: A Realm of Convenience and Flexibility Kindle books, with their inherent portability and simplicity of access, have liberated readers from the constraints of hardcopy books. Gone are the days of lugging bulky novels or carefully searching for specific titles in bookstores. Kindle devices, stylish and lightweight, effortlessly store an wide library of books, allowing readers to indulge in their preferred reads whenever, anywhere. Whether traveling on a busy train, relaxing on a sunny beach, or just cozying up in bed, Kindle books provide an exceptional level of ease. A Literary Universe Unfolded: Discovering the Vast Array of Kindle 6d22 Engine Part Catalog 6d22 Engine Part Catalog The Kindle Shop, a digital treasure trove of literary gems, boasts an wide collection of books spanning diverse genres, catering to every readers taste and choice. From gripping fiction and thought-provoking non-fiction to timeless classics and modern bestsellers, the Kindle Store offers an exceptional abundance of titles to explore. Whether seeking escape through immersive tales of imagination and adventure, delving into the depths of past narratives, or expanding ones understanding with insightful works of scientific and philosophy, the E-book Shop provides a doorway to a bookish universe brimming with endless possibilities. A Game-changing Factor in the Bookish Scene: The Persistent Influence of Kindle Books 6d22 Engine Part Catalog The advent of Kindle books has unquestionably reshaped the bookish scene, introducing a paradigm shift in the way books are published, distributed, and read. Traditional publishing houses have embraced the digital revolution, adapting their approaches to accommodate the growing demand for e-books. This has led to a surge in the availability of Kindle titles, ensuring that readers have access to a vast array of bookish works at their fingers. Moreover, Kindle books have democratized entry to books, breaking down geographical limits and offering readers worldwide with equal opportunities to engage with the written word. Regardless of their location or socioeconomic background, individuals can now immerse themselves in the intriguing world of literature, fostering a global community of readers. Conclusion: Embracing the E-book Experience 6d22 Engine Part Catalog Kindle books 6d22 Engine Part Catalog, with their inherent convenience, versatility, and vast array of titles, have undoubtedly transformed the way we experience literature. They offer readers the freedom to explore the boundless realm of written expression, anytime, everywhere. As we continue to travel the ever-evolving online landscape, E-book books stand as testament to the persistent power of storytelling, ensuring that the joy of reading remains reachable to all.

https://py.bijouxmedusa.com/About/scholarship/Download_PDFS/ap_world_history_document_based_question_essay_example.pdf

Table of Contents 6d22 Engine Part Catalog

1. Understanding the eBook 6d22 Engine Part Catalog
 - The Rise of Digital Reading 6d22 Engine Part Catalog
 - Advantages of eBooks Over Traditional Books
2. Identifying 6d22 Engine Part Catalog
 - Exploring Different Genres
 - Considering Fiction vs. Non-Fiction
 - Determining Your Reading Goals
3. Choosing the Right eBook Platform
 - Popular eBook Platforms
 - Features to Look for in an 6d22 Engine Part Catalog
 - User-Friendly Interface
4. Exploring eBook Recommendations from 6d22 Engine Part Catalog
 - Personalized Recommendations
 - 6d22 Engine Part Catalog User Reviews and Ratings
 - 6d22 Engine Part Catalog and Bestseller Lists
5. Accessing 6d22 Engine Part Catalog Free and Paid eBooks
 - 6d22 Engine Part Catalog Public Domain eBooks
 - 6d22 Engine Part Catalog eBook Subscription Services
 - 6d22 Engine Part Catalog Budget-Friendly Options
6. Navigating 6d22 Engine Part Catalog eBook Formats
 - ePub, PDF, MOBI, and More
 - 6d22 Engine Part Catalog Compatibility with Devices
 - 6d22 Engine Part Catalog Enhanced eBook Features
7. Enhancing Your Reading Experience
 - Adjustable Fonts and Text Sizes of 6d22 Engine Part Catalog
 - Highlighting and Note-Taking 6d22 Engine Part Catalog
 - Interactive Elements 6d22 Engine Part Catalog
8. Staying Engaged with 6d22 Engine Part Catalog

- Joining Online Reading Communities
 - Participating in Virtual Book Clubs
 - Following Authors and Publishers 6d22 Engine Part Catalog
9. Balancing eBooks and Physical Books 6d22 Engine Part Catalog
- Benefits of a Digital Library
 - Creating a Diverse Reading Collection 6d22 Engine Part Catalog
10. Overcoming Reading Challenges
- Dealing with Digital Eye Strain
 - Minimizing Distractions
 - Managing Screen Time
11. Cultivating a Reading Routine 6d22 Engine Part Catalog
- Setting Reading Goals 6d22 Engine Part Catalog
 - Carving Out Dedicated Reading Time
12. Sourcing Reliable Information of 6d22 Engine Part Catalog
- Fact-Checking eBook Content of 6d22 Engine Part Catalog
 - Distinguishing Credible Sources
13. Promoting Lifelong Learning
- Utilizing eBooks for Skill Development
 - Exploring Educational eBooks
14. Embracing eBook Trends
- Integration of Multimedia Elements
 - Interactive and Gamified eBooks

6d22 Engine Part Catalog Introduction

6d22 Engine Part Catalog Offers over 60,000 free eBooks, including many classics that are in the public domain. Open Library: Provides access to over 1 million free eBooks, including classic literature and contemporary works. 6d22 Engine Part Catalog Offers a vast collection of books, some of which are available for free as PDF downloads, particularly older books in the public domain. 6d22 Engine Part Catalog : This website hosts a vast collection of scientific articles, books, and textbooks. While it operates in a legal gray area due to copyright issues, its a popular resource for finding various publications. Internet Archive for 6d22 Engine Part Catalog : Has an extensive collection of digital content, including books, articles, videos, and

more. It has a massive library of free downloadable books. Free-eBooks 6d22 Engine Part Catalog Offers a diverse range of free eBooks across various genres. 6d22 Engine Part Catalog Focuses mainly on educational books, textbooks, and business books. It offers free PDF downloads for educational purposes. 6d22 Engine Part Catalog Provides a large selection of free eBooks in different genres, which are available for download in various formats, including PDF. Finding specific 6d22 Engine Part Catalog, especially related to 6d22 Engine Part Catalog, might be challenging as theyre often artistic creations rather than practical blueprints. However, you can explore the following steps to search for or create your own Online Searches: Look for websites, forums, or blogs dedicated to 6d22 Engine Part Catalog, Sometimes enthusiasts share their designs or concepts in PDF format. Books and Magazines Some 6d22 Engine Part Catalog books or magazines might include. Look for these in online stores or libraries. Remember that while 6d22 Engine Part Catalog, sharing copyrighted material without permission is not legal. Always ensure youre either creating your own or obtaining them from legitimate sources that allow sharing and downloading. Library Check if your local library offers eBook lending services. Many libraries have digital catalogs where you can borrow 6d22 Engine Part Catalog eBooks for free, including popular titles. Online Retailers: Websites like Amazon, Google Books, or Apple Books often sell eBooks. Sometimes, authors or publishers offer promotions or free periods for certain books. Authors Website Occasionally, authors provide excerpts or short stories for free on their websites. While this might not be the 6d22 Engine Part Catalog full book , it can give you a taste of the authors writing style. Subscription Services Platforms like Kindle Unlimited or Scribd offer subscription-based access to a wide range of 6d22 Engine Part Catalog eBooks, including some popular titles.

FAQs About 6d22 Engine Part Catalog Books

How do I know which eBook platform is the best for me? Finding the best eBook platform depends on your reading preferences and device compatibility. Research different platforms, read user reviews, and explore their features before making a choice. Are free eBooks of good quality? Yes, many reputable platforms offer high-quality free eBooks, including classics and public domain works. However, make sure to verify the source to ensure the eBook credibility. Can I read eBooks without an eReader? Absolutely! Most eBook platforms offer webbased readers or mobile apps that allow you to read eBooks on your computer, tablet, or smartphone. How do I avoid digital eye strain while reading eBooks? To prevent digital eye strain, take regular breaks, adjust the font size and background color, and ensure proper lighting while reading eBooks. What the advantage of interactive eBooks? Interactive eBooks incorporate multimedia elements, quizzes, and activities, enhancing the reader engagement and providing a more immersive learning experience. 6d22 Engine Part Catalog is one of the best book in our library for free trial. We provide copy of 6d22 Engine Part Catalog in digital format, so the resources

that you find are reliable. There are also many Ebooks of related with 6d22 Engine Part Catalog. Where to download 6d22 Engine Part Catalog online for free? Are you looking for 6d22 Engine Part Catalog PDF? This is definitely going to save you time and cash in something you should think about. If you trying to find then search around for online. Without a doubt there are numerous these available and many of them have the freedom. However without doubt you receive whatever you purchase. An alternate way to get ideas is always to check another 6d22 Engine Part Catalog. This method for see exactly what may be included and adopt these ideas to your book. This site will almost certainly help you save time and effort, money and stress. If you are looking for free books then you really should consider finding to assist you try this. Several of 6d22 Engine Part Catalog are for sale to free while some are payable. If you arent sure if the books you would like to download works with for usage along with your computer, it is possible to download free trials. The free guides make it easy for someone to free access online library for download books to your device. You can get free download on free trial for lots of books categories. Our library is the biggest of these that have literally hundreds of thousands of different products categories represented. You will also see that there are specific sites catered to different product types or categories, brands or niches related with 6d22 Engine Part Catalog. So depending on what exactly you are searching, you will be able to choose e books to suit your own need. Need to access completely for Campbell Biology Seventh Edition book? Access Ebook without any digging. And by having access to our ebook online or by storing it on your computer, you have convenient answers with 6d22 Engine Part Catalog To get started finding 6d22 Engine Part Catalog, you are right to find our website which has a comprehensive collection of books online. Our library is the biggest of these that have literally hundreds of thousands of different products represented. You will also see that there are specific sites catered to different categories or niches related with 6d22 Engine Part Catalog So depending on what exactly you are searching, you will be able to choose ebook to suit your own need. Thank you for reading 6d22 Engine Part Catalog. Maybe you have knowledge that, people have search numerous times for their favorite readings like this 6d22 Engine Part Catalog, but end up in harmful downloads. Rather than reading a good book with a cup of coffee in the afternoon, instead they juggled with some harmful bugs inside their laptop. 6d22 Engine Part Catalog is available in our book collection an online access to it is set as public so you can download it instantly. Our digital library spans in multiple locations, allowing you to get the most less latency time to download any of our books like this one. Merely said, 6d22 Engine Part Catalog is universally compatible with any devices to read.

Find 6d22 Engine Part Catalog :

[ap world history document based question essay example](#)

[aquarium world by amano pdf](#)

apportionment of income for corporations and partnerships

[apa 6th edition format](#)

[api 936 inspector](#)

[applied mathematics for safety professionals tips tools](#)

ap statistics chapter 10 ciyuanore

[arithmetic questions and answers for competitive exams](#)

[applied statistics and sas programming language pdf](#)

apache tomcat manual

[apuntes de finanzas operativas overdrive com](#)

arctic cat 650 v twin atv service manual repair 2004

[archaeology of the land of the bible 10-000-586-b-c-e-v-1 anchor bible reference the anchor yale bible reference library](#)

[api rp 571 second edition](#)

[arctic cat snowmobile owners manual](#)

6d22 Engine Part Catalog :

Troy-Bilt 190-cc 21-in Self-propelled Gas Lawn ... Troy-Bilt 190-cc 21-in Self-propelled Gas Lawn Mower with Briggs & Stratton Engine. Item #317775 |. Model #12AVB26M011. Troy-Bilt 6.75 Torque 21" Cut Self-Propelled Mower Troy-Bilt 6.75 Torque 21" Cut Self-Propelled Mower · Briggs & Stratton 675 Series no-choke, no-prime engine for very easy starting · Single-speed front-wheel ... TROY BILT 21" BRIGGS QUANTUM 190CC 6.75 ... - YouTube Troy-Bilt 6.75 Torque Push Lawn Mower Reviews It starts right away 90% of the time and almost never conks out. It does not get bogged down in thick grass either. The engine size is 190 cc and has a torque ... TB230B XP High-Wheel Self-Propelled Mower 9-position height adjustment makes it easy to change cutting heights from .75" - 2.5". Side Discharging. side-discharge-mower. Side discharge ... Troy-Bilt Self Propelled Lawn Mower - Model 12AV556O711 Find parts and product manuals for your Troy-Bilt Self Propelled Lawn Mower Model 12AV556O711. Free shipping on parts orders over \$45. TB210B Self-Propelled Lawn Mower Drive System. Drive System FWD. Cutting Deck. Deck Cutting Width 21 in; Deck Wash Yes; Deck Material Steel; Cutting Height Range 1.25" - 3.75"; Deck Positions 6 ... Troy-Bilt Self Propelled Lawn Mower - Model 12AV566M011 Find parts and product manuals for your 21" Troy-Bilt Self-Propelled Lawn Mower. Free shipping on parts orders over \$45. Troy-Bilt - Self Propelled Lawn Mowers Get free shipping on qualified Troy-Bilt Self Propelled Lawn Mowers products or Buy Online Pick Up in Store today in the Outdoors Department. Self-Propelled Mowers | Troy-Bilt US Single-speed front-wheel drive maneuvers easily around the yard and when turning at the end of a row. Dual-lever, 6-position height adjustment makes it easy ... SOLAS Current Version (1st January 2014) Page 1. FOR GL INTERNAL USE ONLY. SOLAS. Consolidated Edition,

2014. Consolidated ... consolidated text. (incorporating all amendments in effect from 1st January ... consolidated text of the International Convention for the Safety ... SOLAS, consolidated edition 2014 : consolidated text of the International Convention for the Safety of Life at Sea, 1974, and its Protocol of 1988 : articles, ... SOLAS, consolidated edition 2014 : ... SOLAS, consolidated edition 2014 : consolidated text of the International Convention for the Safety of Life at Sea, 1974, and its Protocol of 1988 : articles, ... SOLAS, Consolidated Edition 2014 The SOLAS Consolidated Edition 2014 is an essential reference for maritime administrations, ship manufacturers, owners and operators, shipping companies, ... SOLAS consolidated 2014 released from IMO Nov 17, 2014 — The recent release of SOLAS Consolidated, 2014 edition from the International Maritime Organization (IMO) marks a new chapter in the ... SOLAS Consolidated Edition, 2014 The SOLAS Consolidated Edition 2014 is an essential reference for maritime administrations, ship manufacturers, owners and operators, shipping companies, ... SOLAS Consolidated Edition 2014 : AC Apr 4, 2019 — The present version was adopted in 1974 and entered into force in 1980. ... In order to provide an easy reference to all SOLAS requirements ... SOLAS 2014:... by International Maritime Organization SOLAS 2014: Consolidated Text of the International Convention for the Safety of Life at Sea, 1974, as Amended Hardcover September 18, 2014. IMO SOLAS Consolidated Edition 2014 Requirements SOLAS are accepted as an international guide to the transport of dangerous goods by sea and is recommended to governments for adoption or for use as the basis ... consolidated text of the International Convention for the ... SOLAS : consolidated edition 2014 : consolidated text of the International Convention for the Safety of Life at Sea, 1974, and its Protocol of 1988 ... Eisner/Miller TPB :: Profile May 4, 2005 — Eisner/Miller TPB · Creators · Featured Titles · Services · Sites · Company · Contact & News. Buy · Contact Us · Submissions · RSS; Subscribe. Eisner/Miller by Eisner, Will Eisner/Miller is profusely illustrated and features rare, behind-the-scenes photos of Eisner, Miller, and other notable creators. ... About the Author. Will ... Eisner/Miller Eisner/Miller is profusely illustrated and features rare, behind-the-scenes photos of Eisner, Miller, and other notable creators. GenresComicsNonfictionGraphic ... Eisner Miller TP Eisner Miller TP. \$19.95 \$17.96 \$1.99. Quantity. 1. add to cart. add to list add to registry. Description; Reviews. (W/A/CA) Will Eisner, Frank Miller. Book review: Eisner/Miller (2005) | Neil McAllister May 16, 2020 — "Eisner/Miller" offers a dialogue between two respected cartoonists in the mold of François Truffaut's conversations with Alfred Hitchcock. Eisner Miller Graphic Novel Eisner/Miller is widely illustrated and features rare, behind-the-scenes photos of Eisner, Miller, and other notable creators. . Eisner Miller Graphic Novel. Eisner, Will; Miller, Frank: 9781569717554 Eisner/Miller by Eisner, Will; Miller, Frank - ISBN 10: 1569717559 - ISBN 13: 9781569717554 - Dark Horse - 2005 - Softcover. Eisner/Miller book by Frank Miller Aug 19, 2009 — An outstanding, interesting, insightful and complete conversation between two of the comic mediums biggest creators. Don't pass this one up! 0.