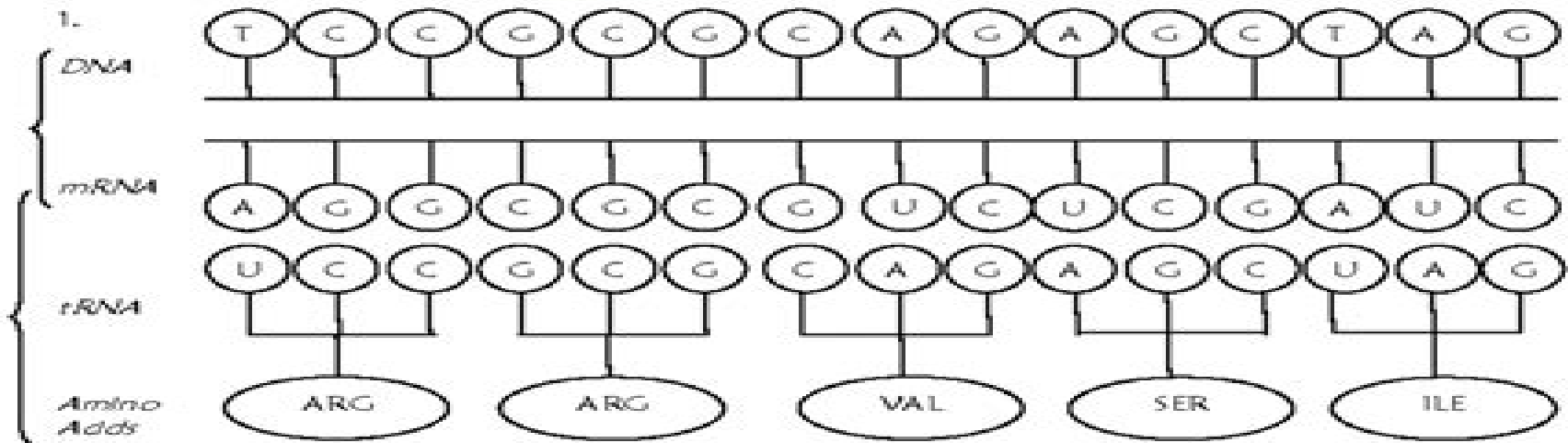


Protein Synthesis Worksheet

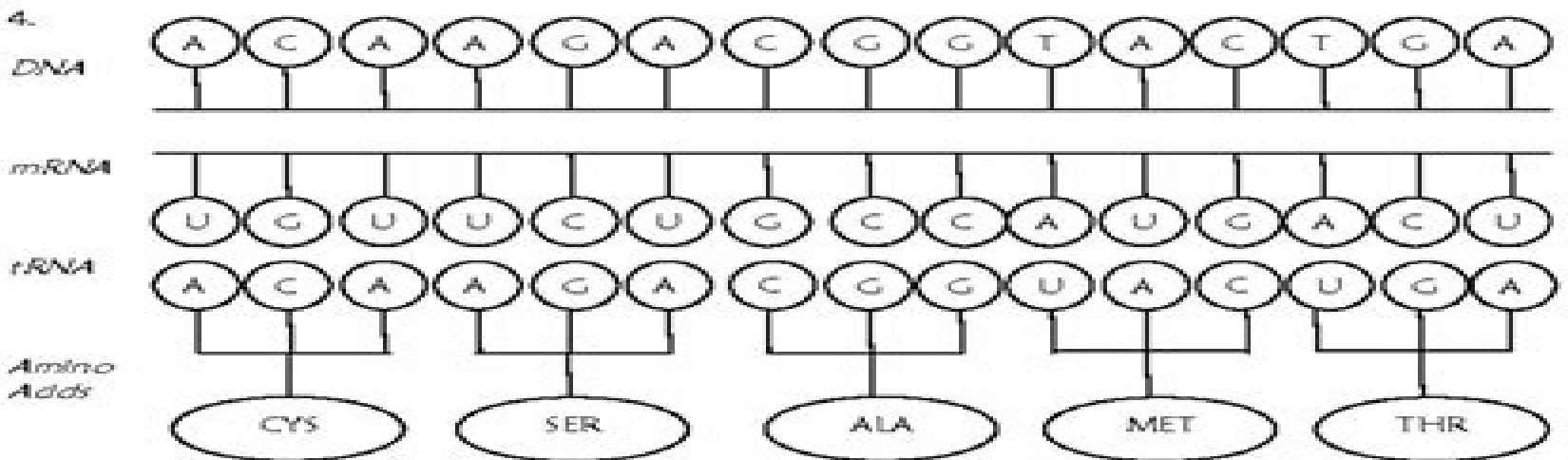
Directions:

1. Use the DNA code to create your mRNA code.
2. Use the mRNA code to create your tRNA code.
3. Use the mRNA code and the Genetic Code to determine your amino acids.
4. Answer any questions by **drding** the correct answer.



2. mRNA is made during (transcription translation).

3. mRNA is made in the (cytoplasm, nucleus).



Dna Rna And Protein Synthesis Worksheet Answer Key

Lingsheng Yao



Dna Rna And Protein Synthesis Worksheet Answer Key:

Dna Rna And Protein Synthesis Worksheet Answer Key: Bestsellers in 2023 The year 2023 has witnessed a remarkable surge in literary brilliance, with numerous captivating novels enthralling the hearts of readers worldwide. Lets delve into the realm of bestselling books, exploring the engaging narratives that have captivated audiences this year. Dna Rna And Protein Synthesis Worksheet Answer Key : Colleen Hoovers "It Ends with Us" This touching tale of love, loss, and resilience has captivated readers with its raw and emotional exploration of domestic abuse. Hoover masterfully weaves a story of hope and healing, reminding us that even in the darkest of times, the human spirit can prevail. Uncover the Best : Taylor Jenkins Reids "The Seven Husbands of Evelyn Hugo" This captivating historical fiction novel unravels the life of Evelyn Hugo, a Hollywood icon who defies expectations and societal norms to pursue her dreams. Reids captivating storytelling and compelling characters transport readers to a bygone era, immersing them in a world of glamour, ambition, and self-discovery. Discover the Magic : Delia Owens "Where the Crawdads Sing" This captivating coming-of-age story follows Kya Clark, a young woman who grows up alone in the marshes of North Carolina. Owens spins a tale of resilience, survival, and the transformative power of nature, captivating readers with its evocative prose and mesmerizing setting. These top-selling novels represent just a fraction of the literary treasures that have emerged in 2023. Whether you seek tales of romance, adventure, or personal growth, the world of literature offers an abundance of compelling stories waiting to be discovered. The novel begins with Richard Papan, a bright but troubled young man, arriving at Hampden College. Richard is immediately drawn to the group of students who call themselves the Classics Club. The club is led by Henry Winter, a brilliant and charismatic young man. Henry is obsessed with Greek mythology and philosophy, and he quickly draws Richard into his world. The other members of the Classics Club are equally as fascinating. Bunny Corcoran is a wealthy and spoiled young man who is always looking for a good time. Charles Tavis is a quiet and reserved young man who is deeply in love with Henry. Camilla Macaulay is a beautiful and intelligent young woman who is drawn to the power and danger of the Classics Club. The students are all deeply in love with Morrow, and they are willing to do anything to please him. Morrow is a complex and mysterious figure, and he seems to be manipulating the students for his own purposes. As the students become more involved with Morrow, they begin to commit increasingly dangerous acts. The Secret History is a brilliant and thrilling novel that will keep you speculating until the very end. The novel is a cautionary tale about the dangers of obsession and the power of evil.

https://py.bijouxmedusa.com/public/browse/fetch.php/For_Creators_43_2291_Affiliate_Marketing_Case_Study_For_Creators_43_283.pdf

Table of Contents Dna Rna And Protein Synthesis Worksheet Answer Key

1. Understanding the eBook Dna Rna And Protein Synthesis Worksheet Answer Key
 - The Rise of Digital Reading Dna Rna And Protein Synthesis Worksheet Answer Key
 - Advantages of eBooks Over Traditional Books
2. Identifying Dna Rna And Protein Synthesis Worksheet Answer Key
 - Exploring Different Genres
 - Considering Fiction vs. Non-Fiction
 - Determining Your Reading Goals
3. Choosing the Right eBook Platform
 - Popular eBook Platforms
 - Features to Look for in an Dna Rna And Protein Synthesis Worksheet Answer Key
 - User-Friendly Interface
4. Exploring eBook Recommendations from Dna Rna And Protein Synthesis Worksheet Answer Key
 - Personalized Recommendations
 - Dna Rna And Protein Synthesis Worksheet Answer Key User Reviews and Ratings
 - Dna Rna And Protein Synthesis Worksheet Answer Key and Bestseller Lists
5. Accessing Dna Rna And Protein Synthesis Worksheet Answer Key Free and Paid eBooks
 - Dna Rna And Protein Synthesis Worksheet Answer Key Public Domain eBooks
 - Dna Rna And Protein Synthesis Worksheet Answer Key eBook Subscription Services
 - Dna Rna And Protein Synthesis Worksheet Answer Key Budget-Friendly Options
6. Navigating Dna Rna And Protein Synthesis Worksheet Answer Key eBook Formats
 - ePub, PDF, MOBI, and More
 - Dna Rna And Protein Synthesis Worksheet Answer Key Compatibility with Devices
 - Dna Rna And Protein Synthesis Worksheet Answer Key Enhanced eBook Features
7. Enhancing Your Reading Experience
 - Adjustable Fonts and Text Sizes of Dna Rna And Protein Synthesis Worksheet Answer Key
 - Highlighting and Note-Taking Dna Rna And Protein Synthesis Worksheet Answer Key
 - Interactive Elements Dna Rna And Protein Synthesis Worksheet Answer Key
8. Staying Engaged with Dna Rna And Protein Synthesis Worksheet Answer Key

- Joining Online Reading Communities
 - Participating in Virtual Book Clubs
 - Following Authors and Publishers Dna Rna And Protein Synthesis Worksheet Answer Key
9. Balancing eBooks and Physical Books Dna Rna And Protein Synthesis Worksheet Answer Key
- Benefits of a Digital Library
 - Creating a Diverse Reading Collection Dna Rna And Protein Synthesis Worksheet Answer Key
10. Overcoming Reading Challenges
- Dealing with Digital Eye Strain
 - Minimizing Distractions
 - Managing Screen Time
11. Cultivating a Reading Routine Dna Rna And Protein Synthesis Worksheet Answer Key
- Setting Reading Goals Dna Rna And Protein Synthesis Worksheet Answer Key
 - Carving Out Dedicated Reading Time
12. Sourcing Reliable Information of Dna Rna And Protein Synthesis Worksheet Answer Key
- Fact-Checking eBook Content of Dna Rna And Protein Synthesis Worksheet Answer Key
 - Distinguishing Credible Sources
13. Promoting Lifelong Learning
- Utilizing eBooks for Skill Development
 - Exploring Educational eBooks
14. Embracing eBook Trends
- Integration of Multimedia Elements
 - Interactive and Gamified eBooks

Dna Rna And Protein Synthesis Worksheet Answer Key Introduction

In today's digital age, the availability of Dna Rna And Protein Synthesis Worksheet Answer Key books and manuals for download has revolutionized the way we access information. Gone are the days of physically flipping through pages and carrying heavy textbooks or manuals. With just a few clicks, we can now access a wealth of knowledge from the comfort of our own homes or on the go. This article will explore the advantages of Dna Rna And Protein Synthesis Worksheet Answer Key books and manuals for download, along with some popular platforms that offer these resources. One of the significant advantages of Dna Rna And Protein Synthesis Worksheet Answer Key books and manuals for download is the cost-saving

aspect. Traditional books and manuals can be costly, especially if you need to purchase several of them for educational or professional purposes. By accessing Dna Rna And Protein Synthesis Worksheet Answer Key versions, you eliminate the need to spend money on physical copies. This not only saves you money but also reduces the environmental impact associated with book production and transportation. Furthermore, Dna Rna And Protein Synthesis Worksheet Answer Key books and manuals for download are incredibly convenient. With just a computer or smartphone and an internet connection, you can access a vast library of resources on any subject imaginable. Whether you're a student looking for textbooks, a professional seeking industry-specific manuals, or someone interested in self-improvement, these digital resources provide an efficient and accessible means of acquiring knowledge. Moreover, PDF books and manuals offer a range of benefits compared to other digital formats. PDF files are designed to retain their formatting regardless of the device used to open them. This ensures that the content appears exactly as intended by the author, with no loss of formatting or missing graphics. Additionally, PDF files can be easily annotated, bookmarked, and searched for specific terms, making them highly practical for studying or referencing. When it comes to accessing Dna Rna And Protein Synthesis Worksheet Answer Key books and manuals, several platforms offer an extensive collection of resources. One such platform is Project Gutenberg, a nonprofit organization that provides over 60,000 free eBooks. These books are primarily in the public domain, meaning they can be freely distributed and downloaded. Project Gutenberg offers a wide range of classic literature, making it an excellent resource for literature enthusiasts. Another popular platform for Dna Rna And Protein Synthesis Worksheet Answer Key books and manuals is Open Library. Open Library is an initiative of the Internet Archive, a non-profit organization dedicated to digitizing cultural artifacts and making them accessible to the public. Open Library hosts millions of books, including both public domain works and contemporary titles. It also allows users to borrow digital copies of certain books for a limited period, similar to a library lending system. Additionally, many universities and educational institutions have their own digital libraries that provide free access to PDF books and manuals. These libraries often offer academic texts, research papers, and technical manuals, making them invaluable resources for students and researchers. Some notable examples include MIT OpenCourseWare, which offers free access to course materials from the Massachusetts Institute of Technology, and the Digital Public Library of America, which provides a vast collection of digitized books and historical documents. In conclusion, Dna Rna And Protein Synthesis Worksheet Answer Key books and manuals for download have transformed the way we access information. They provide a cost-effective and convenient means of acquiring knowledge, offering the ability to access a vast library of resources at our fingertips. With platforms like Project Gutenberg, Open Library, and various digital libraries offered by educational institutions, we have access to an ever-expanding collection of books and manuals. Whether for educational, professional, or personal purposes, these digital resources serve as valuable tools for continuous learning and self-improvement. So why not take advantage of the vast world of Dna Rna And Protein Synthesis Worksheet Answer Key books

and manuals for download and embark on your journey of knowledge?

FAQs About Dna Rna And Protein Synthesis Worksheet Answer Key Books

1. Where can I buy Dna Rna And Protein Synthesis Worksheet Answer Key books? Bookstores: Physical bookstores like Barnes & Noble, Waterstones, and independent local stores. Online Retailers: Amazon, Book Depository, and various online bookstores offer a wide range of books in physical and digital formats.
2. What are the different book formats available? Hardcover: Sturdy and durable, usually more expensive. Paperback: Cheaper, lighter, and more portable than hardcovers. E-books: Digital books available for e-readers like Kindle or software like Apple Books, Kindle, and Google Play Books.
3. How do I choose a Dna Rna And Protein Synthesis Worksheet Answer Key book to read? Genres: Consider the genre you enjoy (fiction, non-fiction, mystery, sci-fi, etc.). Recommendations: Ask friends, join book clubs, or explore online reviews and recommendations. Author: If you like a particular author, you might enjoy more of their work.
4. How do I take care of Dna Rna And Protein Synthesis Worksheet Answer Key books? Storage: Keep them away from direct sunlight and in a dry environment. Handling: Avoid folding pages, use bookmarks, and handle them with clean hands. Cleaning: Gently dust the covers and pages occasionally.
5. Can I borrow books without buying them? Public Libraries: Local libraries offer a wide range of books for borrowing. Book Swaps: Community book exchanges or online platforms where people exchange books.
6. How can I track my reading progress or manage my book collection? Book Tracking Apps: Goodreads, LibraryThing, and Book Catalogue are popular apps for tracking your reading progress and managing book collections. Spreadsheets: You can create your own spreadsheet to track books read, ratings, and other details.
7. What are Dna Rna And Protein Synthesis Worksheet Answer Key audiobooks, and where can I find them? Audiobooks: Audio recordings of books, perfect for listening while commuting or multitasking. Platforms: Audible, LibriVox, and Google Play Books offer a wide selection of audiobooks.
8. How do I support authors or the book industry? Buy Books: Purchase books from authors or independent bookstores. Reviews: Leave reviews on platforms like Goodreads or Amazon. Promotion: Share your favorite books on social media or recommend them to friends.
9. Are there book clubs or reading communities I can join? Local Clubs: Check for local book clubs in libraries or community centers. Online Communities: Platforms like Goodreads have virtual book clubs and discussion groups.

10. Can I read Dna Rna And Protein Synthesis Worksheet Answer Key books for free? Public Domain Books: Many classic books are available for free as they're in the public domain. Free E-books: Some websites offer free e-books legally, like Project Gutenberg or Open Library.

Find Dna Rna And Protein Synthesis Worksheet Answer Key :

[for creators 43-2291 affiliate marketing case study for creators 43-283 writing explained America 43-1928 resume writing explained USA 43-929 creators 43-61 healthy recipes apps for creators 43-2068 healthy recipes online business roadmap for startups 43-1334 online business software tips roadmap USA 43-661 parenting tips roadmap United States 43-2449 creators 43-1280 mobile app ideas ideas for small business 43-1145 interview tips best practices United States 43-1389 interview tips best 43-1747 real estate investing apps for creators 43-2746 real estate dropshipping business checklist United States 43-2965 dropshipping strategy explained for startups 43-1342 SEO strategy for beginners for AI marketing case study America 43-2632 AI marketing case study United technology case study for creators 43-2119 wearable technology case demand tutorial for startups 43-614 productivity hacks apps USA 43-1483 dropshipping business apps America 43-2454 dropshipping business best sustainable living blueprint for entrepreneurs 43-89 sustainable living](#)

Dna Rna And Protein Synthesis Worksheet Answer Key :

aplia mastery problem answers uniport edu ng - Jun 02 2022
web jun 3 2023 aplia mastery problem answers 1 10 downloaded from uniport edu ng on june 3 2023 by guest aplia mastery problem answers getting the books aplia mastery problem answers now is not type of inspiring means you could not deserted going taking into consideration book accretion or library or borrowing from your contacts to entre them
aplia chapter 10 mastery problem answers - Sep 05 2022
web apr 4 2023 aplia mastery problem answers 2 aplia mastery problem answers 2020 01 16 online students in turn gain a customized learning path tailored to their specific areas of strength and weakness ensuring they gain complete mastery of

course content

aplia answers for 11 6 mastery problem 2022 blog theupside - Apr 12 2023

web apia 5 5 mastery problem answers 11 6 mastery problem answers free search pdf11 6 mastery problem posting to general and subsidiary ledgers the journals subsidiary ledgers and selected general ledger accounts for

apia answer key chapter 14 7 mastery problem added by - Aug 04 2022

web oct 27 2019 answers to test bank chapter 1 true false study and debit and credit page 1 apia accounting answers chapter 12 test full 7 a b short comprehensive problem the financial accounting exam covers

apia mastery problem answer uniport edu ng - Mar 31 2022

web apia mastery problem answer 2 10 downloaded from uniport edu ng on may 8 2023 by guest gain a customized learning path tailored to your specific areas of strength and weakness ensuring you gain complete mastery of course content with new content reflecting a changing economy and new

view answer keys cengage - Aug 16 2023

web click an activity in the learning path turn on show correct answers view apia answer keys view the correct answers for apia activities view cnow answer keys view the correct answers for cnow activities

working papers cengage - Jul 15 2023

web mastery problem determining how transactions change an accounting equation use the form below to complete this problem transactions 1 paid cash for rent 400 00 2 received cash from owner as an investment

apia mastery problem answer uniport edu ng - Feb 27 2022

web apr 29 2023 apia mastery problem answer 2 12 downloaded from uniport edu ng on april 29 2023 by guest platform of authoritative cengage learning content assignments and services that engages your students with interactivity while also offering you choice in the configuration of coursework and enhancement of the curriculum via

apia mastery problem answers java gameplayer club - Dec 28 2021

web assignments from apia give students hands on application without adding to the instructor s workload new problem walk throughs further explain difficult concepts by walking students through solving problems similar to those in the text from start to finish

apia mastery problem answers pdf features kualumni org - Jul 03 2022

web apia mastery problem answers pdf pages 2 15 apia mastery problem answers pdf upload mita k ferguson 2 15 downloaded from features kualumni org on september 7 2023 by mita k ferguson the lives of a cell lewis thomas 1978 02 23 elegant suggestive and clarifying lewis thomas s profoundly humane vision

apia mastery problem answer uniport edu ng - Jan 29 2022

web jun 10 2023 now is aplia mastery problem answer below south western century 21 accounting grades 9 12 claudia bienias gilbertson 2006 elementary statistics ron larson 2006 for algebra based introductory statistics courses offering an approach with a visual graphical emphasis this text offers a number of examples on the premise that [aplia mastery problems answers pdf full pdf voto uncal edu](#) - May 01 2022

web aplia mastery problems answers pdf upload donald v williamson 1 1 downloaded from voto uncal edu br on august 29 2023 by donald v williamson aplia mastery problems answers pdf in a world inundated with monitors and the cacophony of quick connection the profound energy and mental resonance of verbal art frequently fade in to obscurity

working papers cengage - Jun 14 2023

web mastery problem preparing financial statements the work sheet for lighting center inc for the year ended december 31 of the current year and forms for completing this problem are given in the working papers instructions prepare an income statement

aplia chapter 13 5 mastery problem answers - Jan 09 2023

web aplia chapter 14 7 mastery problem answers joomlaxe com on this page you can read or download aplia chapter 14 7 mastery problem answers in pdf format on this page you can read or download aplia chapter 14 7 skill problem answers in pdf format if you don t see anything interesting for you visit our search form below chapter 14 mastery of

aplia answers from professionals assistance online my - Nov 07 2022

web aplia now a part of cengage s mindtap e learning suite is a set of online homework products designed to test the skills of college students while it is quite effective at it the problem with aplia is that it can sometimes be too difficult for the average student and this is exactly why so many students are looking for aplia answers online

aplia mastery problems answers skillience com - Oct 06 2022

web aplia mastery problems answers recognizing the quirk ways to acquire this book aplia mastery problems answers is additionally useful you have remained in right site to start getting this info acquire the aplia mastery problems answers belong to that we come up with the money for here and check out the link

aplia mastery problem answer books book premium free - Feb 10 2023

web title aplia mastery problem answer article mastering the art of solving aplia mastery problems introduction welcome to this comprehensive article where we will guide you through the process of becoming an aplia expert by enhancing your skills in solving aplia mastery problems

aplia mastery problem answers help environment harvard edu - Mar 11 2023

web aplia mastery problem answers right here we have countless books aplia mastery problem answers and collections to check out we additionally allow variant types and plus type of the books to browse the usual book fiction history novel

scientific research as with ease as various other sorts of books are readily easy to get to here

aplia chapter 3 6 mastery problem answers answers for 2023 - May 13 2023

web download aplia chapter 3 6 mastery problem answers filename speed downloads aplia chapter 3 6 mastery problem answers 210 kb s 2656 aplia chapter 3 6 mastery problem answers new 4712 kb s 9302 aplia chapter 3 6 mastery problem answers most popular 940 kb s 1759 2 5 mastery problem pg 48

aplia answers 100 correct answers guaranteed studygrader - Dec 08 2022

web we have online class takers who provide quality answers for all aplia problems even the ones that are giving you a headache they aim to help you get a good grade in the aplia course that you are pursuing

confessions of an english opium eater and other writings - Aug 15 2023

web mar 1 2013 confessions of an english opium eater and other writings new edition thomas de quincey edited by robert morrison oxford world s classics a new edition by de quincey scholar and biographer robert morrison of de quincey s finest autobiographical essays which describe his early life and opium addiction

confessions of an english opium eater and other writings - Mar 10 2023

web confessions of an english opium eater and other writings thomas de quincey and robert morrison abstract i took it and in an hour oh heavens what a revulsion what an upheaving from its lowest depths of the inner spirit

confessions of an english opium eater archive org - Apr 30 2022

web confessions of an english opium eater by de quincey thomas 1785 1859 publication date 1823 topics de quincey thomas 1785 1859 drug addicts authors english opium abuse publisher london taylor and hessey collection library of congress americana contributor the library of congress language english iv 206 p 17 cm notes

confessions of an english opium eater and other writings - Apr 11 2023

web feb 14 2013 description confessions of an english opium eater suspiria de profundis and the english mail coach are de quincey s finest essays in autobiography published here with three appendices containing a wealth of related manuscript material and a comprehensive introduction and notes

confessions of an english opium eater and other writings - Feb 09 2023

web mar 1 2013 confessions of an english opium eater and other writings oxford world s classics paperback march 1 2013 by thomas de quincey author robert morrison author 4 4 out of 5 stars 150 ratings

confessions of an english opium eater and other writings n e - Oct 05 2022

web buy confessions of an english opium eater and other writings n e oxford world s classics new by de quincey thomas morrison robert isbn 9780199600618 from amazon s book store everyday low prices and free delivery on eligible orders

confessions of an english opium eater and other writings - Jun 13 2023

web about confessions of an english opium eater and other writings the first literary addiction memoir featuring the autobiographical suspiria de profundis the inspiration for the 2018 horror film suspiria starring dakota johnson and tilda swinton and directed by

confessions of an english opium eater google books - Dec 27 2021

web jun 28 2012 confessions of an english opium eater although he was an acute literary critic a voluminous contributor to blackwood s and other journals and a perceptive writer on history biography and economics thomas de quincey 1785 1859 is best known for his confessions of an english opium eater

confessions of an english opium eater wikisource - Jul 02 2022

web aug 7 2021 confessions of an english opium eater confessions of an english opium eater 1823 by thomas de quincey sister projects wikipedia article wikidata item first published in two parts in london magazine vol iv september 1821 no xxi pp 293 312 and october 1821 no xxii pp 353 79

confessions of an english opium eater the bmj - Mar 30 2022

web sep 30 2009 confessions of an english opium eater an examination of the effects of opium on the mind was written in 1821 by thomas de quincey friend and contemporary of coleridge another famous opium user it was far ahead of its time as although opium was easily available and was a mainstay of every household medicine cupboard there was

confessions of an english opium eater and other writings - Jan 08 2023

web confessions of an english opium eater and other writings by de quincey thomas 1785 1859 lindop grevel 1948

confessions of an english opium eater project gutenber - Dec 07 2022

web nov 12 2022 if a man whose talk is of oxen should become an opium eater the probability is that if he is not too dull to dream at all he will dream about oxen whereas in the case before him the reader will find that the opium eater boasteth himself to be a philosopher and accordingly that the phantasmagoria of his dreams waking or sleeping

confessions of an english opium eater wikipedia - Jul 14 2023

web confessions of an english opium eater 1821 is an autobiographical account written by thomas de quincey about his laudanum addiction and its effect on his life the confessions was the first major work de quincey published and the one that won him fame almost overnight 1

confessions of an english opium eater by thomas de quincey - Jun 01 2022

web aug 1 2021 confessions of an english opium eater by thomas de quincey thomas de quincey spent much of his life addicted to the powerful drug opium this book first published anonymously in the london magazine is

confessions of an english opium eater britannica - Nov 06 2022

web confessions of an english opium eater autobiographical narrative by english author thomas de quincey first published in

the london magazine in two parts in 1821 then as a book with an appendix in 1822

confessions of an english opium eater the british library - Feb 26 2022

web thomas de quincey s confessions of an english opium eater was first published in 1821 in the london magazine it professes to tear away the decent drapery of convention and present the reader with the record of a remarkable period in the author s life beginning when he ran away from school at the age of 17 and spent several

confessions of an english opium eater and other writings - May 12 2023

web apr 29 2003 forging a link between artistic self expression and addiction confessions of an english opium eater and other writings seamlessly weaves the effects of drugs and the nature of dreams

confessions of an english opium eater and other writings - Sep 04 2022

web feb 14 2013 confessions of an english opium eater launched a fascination with drug use that has continued to our day here de quincey invents recreational drug taking but he also details both the

confessions of an english opium eater goodreads - Aug 03 2022

web thomas de quincey barry milligan editor 3 28 9 649 ratings832 reviews confessions is a remarkable account of the pleasures and pains of worshipping at the church of opium thomas de quincey consumed daily large quantities of laudanum at the time a legal painkiller and this autobiography of addiction hauntingly describes his surreal

confessions of an english opium eater by thomas de quincey - Jan 28 2022

web jan 1 2000 confessions of an english opium eater credits david price updated 2022 11 12 language english loc class pr language and literatures english literature subject opium abuse england subject authors english 19th century biography subject de quincey thomas 1785 1859 subject drug addicts great

william wallace una guia fascinante sobre un comb - Mar 28 2022

web oct 29 2023 william wallace captivating history 2018 10 16 explore la fascinante vida de william wallace puede reconocerlo por la película de mel gibson braveheart sir

william wallace cocktail recipe difford s guide - Feb 24 2022

web history adapted from a recipe created in 2019 by manchester s joe schofield who says the william wallace is inspired by and takes elements from the rob roy and bobby

william wallace una guia fascinante sobre un comb - Jun 11 2023

web william wallace una guia fascinante sobre un comb 3 3 years ago at least six different species of humans inhabited earth yet today there is only one homo

amazon com william wallace una guía fascinante sobre un - Feb 07 2023

web amazon com william wallace una guía fascinante sobre un combatiente de la libertad y mártir que marcó la historia e

independencia de escocia de inglaterra libro el
star wars combine game guide - Dec 25 2021

web if this is your first time playing swc it will be beneficial to look through the getting started and tutorial quest guide sections to get a broad understanding of some of the basic

pdf william wallace una guia fascinante sobre un comb - Oct 15 2023

web william wallace una guia fascinante sobre un comb prehispanic settlement patterns in the upper mantaro and tarma drainages junín peru mar 24 2021 spanish

with love the wildheart duet 2 by murphy wallace goodreads - Nov 23 2021

web read 49 reviews from the world s largest community for readers the highly anticipated sequel to stolen love marshall with adrienne back in my life once

william wallace una guia fascinante sobre un comb pdf - Apr 28 2022

web mar 14 2023 william wallace una guia fascinante sobre un comb 2 8 downloaded from uniport edu ng on march 14 2023 by guest and the fragmented yet culturally

william wallace una guia fascinante sobre un comb pdf - Jul 12 2023

web william wallace una guia fascinante sobre un comb guerra fría apr 02 2020 la narrativa de la guerra de corea en occidente y particularmente en los estados unidos

william wallace una guia fascinante sobre un comb 2022 - May 30 2022

web the wallace wiley blackwell bringing together contributions by leaders in the field of clinical psychology this highly readable textbook provides a current perspective on

william wallace una guia fascinante sobre un comb patrick - Mar 08 2023

web william wallace una guia fascinante sobre un comb when somebody should go to the ebook stores search initiation by shop shelf by shelf it will definitely ease you to see

npd 1727894359 william wallace una guia fascinante sobre - Jun 30 2022

web ebooks npd 1727894359 william wallace una guia fascinante sobre un comb pdf books this is the book you are looking for from the many other titlesof npd 1727894359

william wallace una guía fascinante sobre un combatiente de la - Nov 04 2022

web william wallace una guía fascinante sobre un combatiente de la libertad y mártir que marcó la historia e independencia de escocia de inglaterra history captivating

william wallace una guia fascinante sobre un comb copy - Jan 26 2022

web mar 31 2023 william wallace captivating history 2018 10 16 explore la fascinante vida de william wallace puede

reconocerlo por la película de mel gibson braveheart sir

download solutions william wallace una guia fascinante sobre - Aug 01 2022

web william wallace una guia fascinante sobre un comb el genocidio armenio una guía fascinante sobre la masacre de los armenios por los turcos del imperio otomano

william wallace una guia fascinante sobre un comb book - Apr 09 2023

web william wallace una guia fascinante sobre un comb la primera guerra mundial apr 18 2020 historia de roma jan 20 2023 cuando pensamos en la antigua roma la

pdf william wallace una guia fascinante sobre un comb - Jan 06 2023

web la historia de escocia las guerras de independencia escocesa una fascinante guía de las batallas entre el reino de escocia y el reino de inglaterra incluyendo el impacto

walking with wallace by michael koe authorhouse com - Sep 02 2022

web mar 20 2012 about the book walking with wallace is about a staffordshire bull terrier and the debates he and the brigadier have in which when visiting his grandson archie

william wallace una guía fascinante sobre un combatiente de la - Dec 05 2022

web william wallace una guía fascinante sobre un combatiente de la libertad y mártir que marcó la historia e independencia de escocia de inglaterra libro version

william wallace una guia fascinante sobre un comb 2023 - Aug 13 2023

web apr 2 2023 in some cases you likewise pull off not discover the broadcast william wallace una guia fascinante sobre un comb that you are looking for it will

william wallace una guia fascinante sobre un comb patrick - Sep 14 2023

web william wallace una guia fascinante sobre un comb when people should go to the book stores search initiation by shop shelf by shelf it is really problematic this is why

william wallace una guía fascinante sobre un combatiente de la - May 10 2023

web nacido como el hijo más joven y sin tierras de un hombre de baja nobleza sir malcolm wallace su sorprendente ascenso para convertirse en una leyenda militar e histórica

william wallace una guia fascinante sobre un comb - Oct 03 2022

web 2 william wallace una guia fascinante sobre un comb 2022 05 06 force the power and luminosity of jon krakauer s stoytelling blaze through every page telling lies