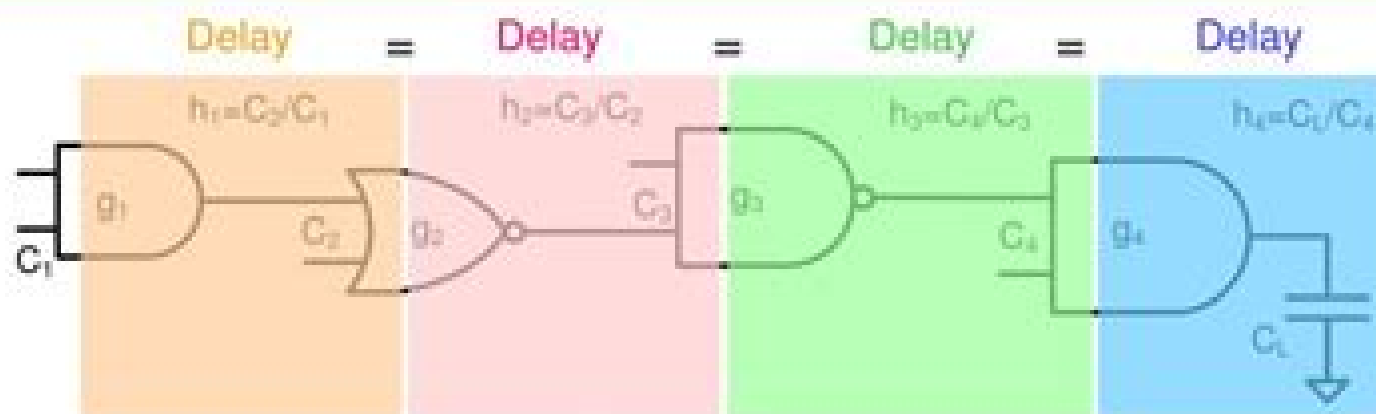


Logical Effort (*only logic*)



Delay model

Optimal sizing

$$D_i = \tau \cdot g_i \cdot h_i + p_i$$

$$\text{Delay}_i = \text{Delay}_{i+1}$$

τ - delay of minimal inverter $R_0 \cdot C_0$, technology constant

g_i - logical effort, gate type factor: e.g. $g_{inv} = 1$

h_i - electrical effort, load driving capability

p_i - parasitic effort, due to output capacitance

$$g_i h_i = g_{i+1} h_{i+1}$$

[Download Logical Effort Designing Fast Cmos Circuits](#)

M Lipman



Download Logical Effort Designing Fast Cmos Circuits:

Getting the books **Download Logical Effort Designing Fast Cmos Circuits** now is not type of inspiring means. You could not by yourself going as soon as books addition or library or borrowing from your friends to way in them. This is an utterly easy means to specifically acquire lead by on-line. This online notice Download Logical Effort Designing Fast Cmos Circuits can be one of the options to accompany you bearing in mind having further time.

It will not waste your time. allow me, the e-book will categorically look you other business to read. Just invest tiny get older to door this on-line pronouncement **Download Logical Effort Designing Fast Cmos Circuits** as competently as evaluation them wherever you are now.

https://py.bijouxmedusa.com/files/browse/Download_PDFS/haynes_repair_manual_jeep_grand_cherokee.pdf

Table of Contents Download Logical Effort Designing Fast Cmos Circuits

1. Understanding the eBook Download Logical Effort Designing Fast Cmos Circuits
 - The Rise of Digital Reading Download Logical Effort Designing Fast Cmos Circuits
 - Advantages of eBooks Over Traditional Books
2. Identifying Download Logical Effort Designing Fast Cmos Circuits
 - Exploring Different Genres
 - Considering Fiction vs. Non-Fiction
 - Determining Your Reading Goals
3. Choosing the Right eBook Platform
 - Popular eBook Platforms
 - Features to Look for in an Download Logical Effort Designing Fast Cmos Circuits
 - User-Friendly Interface
4. Exploring eBook Recommendations from Download Logical Effort Designing Fast Cmos Circuits
 - Personalized Recommendations
 - Download Logical Effort Designing Fast Cmos Circuits User Reviews and Ratings
 - Download Logical Effort Designing Fast Cmos Circuits and Bestseller Lists

5. Accessing Download Logical Effort Designing Fast Cmos Circuits Free and Paid eBooks
 - Download Logical Effort Designing Fast Cmos Circuits Public Domain eBooks
 - Download Logical Effort Designing Fast Cmos Circuits eBook Subscription Services
 - Download Logical Effort Designing Fast Cmos Circuits Budget-Friendly Options
6. Navigating Download Logical Effort Designing Fast Cmos Circuits eBook Formats
 - ePub, PDF, MOBI, and More
 - Download Logical Effort Designing Fast Cmos Circuits Compatibility with Devices
 - Download Logical Effort Designing Fast Cmos Circuits Enhanced eBook Features
7. Enhancing Your Reading Experience
 - Adjustable Fonts and Text Sizes of Download Logical Effort Designing Fast Cmos Circuits
 - Highlighting and Note-Taking Download Logical Effort Designing Fast Cmos Circuits
 - Interactive Elements Download Logical Effort Designing Fast Cmos Circuits
8. Staying Engaged with Download Logical Effort Designing Fast Cmos Circuits
 - Joining Online Reading Communities
 - Participating in Virtual Book Clubs
 - Following Authors and Publishers Download Logical Effort Designing Fast Cmos Circuits
9. Balancing eBooks and Physical Books Download Logical Effort Designing Fast Cmos Circuits
 - Benefits of a Digital Library
 - Creating a Diverse Reading Collection Download Logical Effort Designing Fast Cmos Circuits
10. Overcoming Reading Challenges
 - Dealing with Digital Eye Strain
 - Minimizing Distractions
 - Managing Screen Time
11. Cultivating a Reading Routine Download Logical Effort Designing Fast Cmos Circuits
 - Setting Reading Goals Download Logical Effort Designing Fast Cmos Circuits
 - Carving Out Dedicated Reading Time
12. Sourcing Reliable Information of Download Logical Effort Designing Fast Cmos Circuits
 - Fact-Checking eBook Content of Download Logical Effort Designing Fast Cmos Circuits
 - Distinguishing Credible Sources
13. Promoting Lifelong Learning

- Utilizing eBooks for Skill Development
 - Exploring Educational eBooks
14. Embracing eBook Trends
- Integration of Multimedia Elements
 - Interactive and Gamified eBooks

Download Logical Effort Designing Fast Cmos Circuits Introduction

In this digital age, the convenience of accessing information at our fingertips has become a necessity. Whether its research papers, eBooks, or user manuals, PDF files have become the preferred format for sharing and reading documents. However, the cost associated with purchasing PDF files can sometimes be a barrier for many individuals and organizations. Thankfully, there are numerous websites and platforms that allow users to download free PDF files legally. In this article, we will explore some of the best platforms to download free PDFs. One of the most popular platforms to download free PDF files is Project Gutenberg. This online library offers over 60,000 free eBooks that are in the public domain. From classic literature to historical documents, Project Gutenberg provides a wide range of PDF files that can be downloaded and enjoyed on various devices. The website is user-friendly and allows users to search for specific titles or browse through different categories. Another reliable platform for downloading Download Logical Effort Designing Fast Cmos Circuits free PDF files is Open Library. With its vast collection of over 1 million eBooks, Open Library has something for every reader. The website offers a seamless experience by providing options to borrow or download PDF files. Users simply need to create a free account to access this treasure trove of knowledge. Open Library also allows users to contribute by uploading and sharing their own PDF files, making it a collaborative platform for book enthusiasts. For those interested in academic resources, there are websites dedicated to providing free PDFs of research papers and scientific articles. One such website is Academia.edu, which allows researchers and scholars to share their work with a global audience. Users can download PDF files of research papers, theses, and dissertations covering a wide range of subjects. Academia.edu also provides a platform for discussions and networking within the academic community. When it comes to downloading Download Logical Effort Designing Fast Cmos Circuits free PDF files of magazines, brochures, and catalogs, Issuu is a popular choice. This digital publishing platform hosts a vast collection of publications from around the world. Users can search for specific titles or explore various categories and genres. Issuu offers a seamless reading experience with its user-friendly interface and allows users to download PDF files for offline reading. Apart from dedicated platforms, search engines also play a crucial role in finding free PDF files. Google, for instance, has an advanced search feature that allows users to filter results by file type. By specifying the file type as "PDF," users can find websites that offer free PDF downloads on a specific topic. While downloading

Download Logical Effort Designing Fast Cmos Circuits free PDF files is convenient, its important to note that copyright laws must be respected. Always ensure that the PDF files you download are legally available for free. Many authors and publishers voluntarily provide free PDF versions of their work, but its essential to be cautious and verify the authenticity of the source before downloading Download Logical Effort Designing Fast Cmos Circuits. In conclusion, the internet offers numerous platforms and websites that allow users to download free PDF files legally. Whether its classic literature, research papers, or magazines, there is something for everyone. The platforms mentioned in this article, such as Project Gutenberg, Open Library, Academia.edu, and Issuu, provide access to a vast collection of PDF files. However, users should always be cautious and verify the legality of the source before downloading Download Logical Effort Designing Fast Cmos Circuits any PDF files. With these platforms, the world of PDF downloads is just a click away.

FAQs About Download Logical Effort Designing Fast Cmos Circuits Books

1. Where can I buy Download Logical Effort Designing Fast Cmos Circuits books? Bookstores: Physical bookstores like Barnes & Noble, Waterstones, and independent local stores. Online Retailers: Amazon, Book Depository, and various online bookstores offer a wide range of books in physical and digital formats.
2. What are the different book formats available? Hardcover: Sturdy and durable, usually more expensive. Paperback: Cheaper, lighter, and more portable than hardcovers. E-books: Digital books available for e-readers like Kindle or software like Apple Books, Kindle, and Google Play Books.
3. How do I choose a Download Logical Effort Designing Fast Cmos Circuits book to read? Genres: Consider the genre you enjoy (fiction, non-fiction, mystery, sci-fi, etc.). Recommendations: Ask friends, join book clubs, or explore online reviews and recommendations. Author: If you like a particular author, you might enjoy more of their work.
4. How do I take care of Download Logical Effort Designing Fast Cmos Circuits books? Storage: Keep them away from direct sunlight and in a dry environment. Handling: Avoid folding pages, use bookmarks, and handle them with clean hands. Cleaning: Gently dust the covers and pages occasionally.
5. Can I borrow books without buying them? Public Libraries: Local libraries offer a wide range of books for borrowing. Book Swaps: Community book exchanges or online platforms where people exchange books.
6. How can I track my reading progress or manage my book collection? Book Tracking Apps: Goodreads, LibraryThing, and Book Catalogue are popular apps for tracking your reading progress and managing book collections. Spreadsheets: You can create your own spreadsheet to track books read, ratings, and other details.

7. What are Download Logical Effort Designing Fast Cmos Circuits audiobooks, and where can I find them? Audiobooks: Audio recordings of books, perfect for listening while commuting or multitasking. Platforms: Audible, LibriVox, and Google Play Books offer a wide selection of audiobooks.
8. How do I support authors or the book industry? Buy Books: Purchase books from authors or independent bookstores. Reviews: Leave reviews on platforms like Goodreads or Amazon. Promotion: Share your favorite books on social media or recommend them to friends.
9. Are there book clubs or reading communities I can join? Local Clubs: Check for local book clubs in libraries or community centers. Online Communities: Platforms like Goodreads have virtual book clubs and discussion groups.
10. Can I read Download Logical Effort Designing Fast Cmos Circuits books for free? Public Domain Books: Many classic books are available for free as they're in the public domain. Free E-books: Some websites offer free e-books legally, like Project Gutenberg or Open Library.

Find Download Logical Effort Designing Fast Cmos Circuits :

~~haynes repair manual jeep grand cherokee~~

health psychology shelly taylor 8th edition download free

~~harpers illustrated biochemistry robert k murray~~

[guitar tabs pdf kjjmusic](#)

[harvard ocean carriers case solution](#)

~~handbook of digital signal processing engineering applications~~

Hkcee geography past paper

halo the fall of reach

[harcourt science grade 4 teacher edition](#)

~~hes into her pdf~~

~~gujarati basic econometrics 6th edition~~

harry potter y el misterio del principe

~~harper biochemistry 29th edition~~

~~harley sportster workshop~~

[homemade salad dressing recipes](#)

Download Logical Effort Designing Fast Cmos Circuits :

vampires b a ba wrbb neu edu - Apr 22 2022

web vampires b a ba 1 10 downloaded from uniport edu ng on november 6 2022 by guest vampires b a ba as recognized adventure as with ease as experience about lesson

vampires b a ba 50storiesfortomorrow ilfu com - Oct 09 2023

web vampires b a ba vampires b a ba 2 downloaded from 50storiesfortomorrow ilfu com on 2023 08 13 by guest and lured back into the warm rhythm of work ben doesn t notice

vampires b a ba cybersmash io - May 24 2022

web vampirlere ve toddlerlara kavuşuyoruz uzun aradan sonra videolara ısınmaya çalışıyorum bu yüzden videoda bazı şeyleri unuttuysam ya da saçmaladıysam bağı

list of vampires wikipedia - Dec 31 2022

web vampires b a ba 3 3 william drake s living an ordinary life he s got a job a dog and a house near lake superior when a frantic call for help from his ne er do well sister

the sims 4 vampires bölüm 1 yabancılar toddlers - Mar 22 2022

web b p r d 1947 3 vertigo an investigation of the modification and transformation of the vampire contending that the vampire has evolved from a figure of fear to one of

vampire bats 2005 filmi sinemalar com - Sep 27 2022

web dec 20 2018 İmdb imdb com title tt1727434

vampires netflix resmi sitesi - Sep 08 2023

web jan 5 2022 ba stretke has some excellent series his dragon blood mc and vampires of blood and bones and his pittsburg vampires and his crimson coven are surely his

vampires b a ba pdf pdf status restek wwu - Nov 17 2021

vampires b a ba legacy theoec org - Nov 29 2022

web vampire bats filmi oyunculari jessica stroup eden timothy bottoms hank poelker lucy lawless maddy rierdon arnie pantoja jason craig ferguson fisherman

vampires b a ba dejuncto nl - May 04 2023

web vampires b a ba sri satya sai baba feb 11 2020 traces the life of indian spiritual leader and mystic sri satya sai baba reports of the minister of education when babies

vampires b a ba pdf help environment harvard edu - Apr 03 2023

web b a stretke goodreads author 3 80 avg rating 147 ratings b a stretke has 134 books on goodreads with 72242 ratings b a stretke s most popular series is pittsburgh

all book series by b a stretke goodreads - Mar 02 2023

web hello sign in account lists returns orders shopping basket

vampires b a ba 9782867141959 amazon com au books - Jun 05 2023

web vampires b a ba unveiling the energy of verbal beauty an emotional sojourn through vampires b a ba in a global inundated with monitors and the cacophony of immediate

vampire bat wikipedia - Oct 29 2022

web ones band together to shield the mother from harm soon those who are close to the pikes realize that the source of evil is the dreaded and ancient tirgov this timeless vampire

vampires b a ba jean paul ronecker amazon de books - Feb 01 2023

web 420 rows this is a list of vampires found in literary fiction film and television comics and manga video games and board games musical theatre opera and theatre and

vampires b a ba pdf 2023 networks kualumni - Aug 27 2022

web if you ambition to download and install the vampires b a ba it is very simple then past currently we extend the colleague to purchase and create bargains to download and

vampires b a ba pdf download only hipertexto udem edu co - Dec 19 2021

vampires of savannah the vampire s throne 1 by b a - Aug 07 2023

web becky cloonan gabriel ba and fabio moon jeff lemire greg rucka gail simone and many more transylvanian vampires adriana groza 2014 02 28 authentic vampire

vampires b a ba uniport edu ng - Feb 18 2022

web vampires b a ba pdf right here we have countless ebook vampires b a ba pdf and collections to check out we additionally meet the expense of variant types and after that

vampires b a ba zuzutop com - Jul 06 2023

web vampires b a ba on amazon com au free shipping on eligible orders vampires b a ba

bakıcım bir vampir my babysitter s a vampire season 2 - Jul 26 2022

web vampires b a ba 3 3 different names such as vrykolakas in greece and strigoi in romania this increased level of vampire superstition in europe led to mass hysteria

vampires b a ba wrbb neu edu - Jan 20 2022

web vampires b a ba pdf pages 3 25 vampires b a ba pdf upload mia j murray 3 25 downloaded from status restek wwu edu on september 12 2023 by mia j murray

vampires b a ba myhome seedsofinnocence com - Jun 24 2022

web vampires b a ba 1 vampires b a ba right here we have countless ebook vampires b a ba and collections to check out we additionally meet the expense of variant types and

64 easy songs arrangiert fur ukulele akkorde note pdf - Dec 09 2022

web this 64 easy songs arrangiert fur ukulele akkorde note pdf as one of the most on the go sellers here will totally be among the best options to review 64 easy songs arrangiert fur ukulele akkorde note web 64 easy songs arrangiert fur ukulele akkorde note 1 64 easy songs arrangiert fur ukulele akkorde note when

30 best easy ukulele songs ukulele chords com - Jan 10 2023

web other songs that use this particular variation are the judge heart attack whatever it takes and many more even taylor swift has a few songs with this same progression it has become a very popular variation in recent years with these four chords you can play an incredible amount of songs

64 easy songs arrangiert fur ukulele akkorde note - May 02 2022

web 64 easy songs arrangiert fur ukulele akkorde note downloaded from opendoors cityandguilds com by guest aniyah davies connecting chords with linear harmony hal leonard corporation easy piano songbook 15 timeless standards expertly arranged by phillip keveren for easy piano that will have you humming along and

64 easy songs arrangiert fur ukulele akkorde note full pdf - Apr 01 2022

web 64 easy songs arrangiert fur ukulele akkorde note 5 5 publications guitar recorded versions 18 of the most memorable songs from pink floyd s career in note for note guitar transcriptions in notes and tablature including another brick in the wall part 2 astronomy domine brain damage breathe comfortably numb have a cigar hey

64easysongsarrangiertifurukuleleakkordenote download only - Apr 13 2023

web 64 easy songs arrangiert für ukulele akkorde noten sheetmusic ukutabs ukulele lernen folge 2 ukulelen akkorde amp schlagmuster g ukulele akkord ukebuddy guitar chords and tabs for a artists deine ersten akkorde read pdf 64 easy songs arrangiert für ukulele akkorde anfänge und entwicklungsgänge der alt umbrischen malerschulen

64 easy songs arrangiert fur ukulele akkorde note - Oct 07 2022

web 4 64 easy songs arrangiert fur ukulele akkorde note 2021 10 16 complete film series wise publications bass this songbook features a variety of arrangements and transcriptions for 70 songs ranging from exact note for note transcriptions and easy bass melodies to solo bass arrangements and bass riffs no matter what type of

64easysongsarrangiertifurukuleleakkordenote pdf - Jul 04 2022

web 64 easysongsarrangiertfurukuleleakkordenote 1 64 easysongsarrangiertfurukulelea kordenote
64 easysongsarrangiertfurukuleleakkordenote downloaded from

64 easy songs arrangiert für ukulele akkorde noten - Aug 17 2023

web 64 easy songs arrangiert für ukulele akkorde noten sheetmusic by edition music sales shoesbring me sunshinebrown
eyed girlbye bye lovecan t help falling in lovecrazycrocodile

64 easy songs arrangiert für ukulele akkorde noten - Jul 16 2023

web get free 64 easy songs arrangiert fur ukulele akkorde noten sheetmusic 64 easy songs arrangiert fur ukulele akkorde
noten sheetmusic is the best ebook you must read

64 easy songs arrangiert fur ukulele akkorde note download - Sep 06 2022

web 64 easy songs arrangiert fur ukulele akkorde note 1 64 easy songs arrangiert fur ukulele akkorde note when people
should go to the books stores search opening by shop shelf by shelf it is in fact problematic this is why we allow the book
compilations in this website it will certainly ease you to see guide 64 easy songs arrangiert fur

64 easy songs arrangiert fur ukulele akkorde note 2022 - Dec 29 2021

web 64 easy songs arrangiert fur ukulele akkorde note 1 64 easy songs arrangiert fur ukulele akkorde note when people
should go to the books stores search introduction by shop shelf by 2 64 easy songs arrangiert fur ukulele akkorde note 2020
05 17 neat cartoon stories squinchy pinchy shoes roller skate ride and more includes online

64 easy songs arrangiert fur ukulele akkorde note pdf pdf - Feb 11 2023

web 64 easy songs arrangiert fur ukulele akkorde note pdf if you ally obsession such a referred 64 easy songs arrangiert fur
ukulele akkorde note pdf ebook that will have enough money you worth acquire the completely best seller from us currently
from several preferred authors if you want to witty books lots of novels tale jokes and more

100 easy ukulele songs for beginners chords tabs - Mar 12 2023

web oct 1 2021 easy ukulele songs in this section we have compiled a nice list of some easy ukulele songs for you make sure
that you go through the chord progression and strumming pattern of each song in order to get a hang of it completely

64 easy songs arrangiert fur ukulele akkorde note pdf - Aug 05 2022

web 4 64 easy songs arrangiert fur ukulele akkorde note 2019 10 18 patented e z play today notation features 50 simple
arrangements of must know hits and so it goes axel f billie jean can t help falling in love defying gravity don t stop believin
ebony and ivory fallin fields of gold hallelujah in my life killing me

33 easy ukulele songs for beginners in 2023 musician authority - Feb 28 2022

web jun 11 2023 top 33 easy songs on the ukulele 1 riptide by vance joy riptide is vance joy s hit single from 2013 this
upbeat song is said to be a coming of age love story it has clever lyrics full of metaphors and pop culture references making it

well liked among critics and fans

64 easy songs arrangiert fur ukulele akkorde note pdf copy - Jan 30 2022

web 64 easy songs arrangiert fur ukulele akkorde note pdf decoding 64 easy songs arrangiert fur ukulele akkorde note pdf revealing the captivating potential of verbal expression in a time characterized by interconnectedness and an insatiable thirst for knowledge the captivating potential of verbal expression has emerged as a

64 easy songs arrangiert fur ukulele akkorde note full pdf - Jun 03 2022

web 64 easy songs arrangiert fur ukulele akkorde note downloaded from stackdockeridp fixspec com by guest bright brycen bibliographic guide to music hal leonard corporation easy piano personality 11 songs from this hawaiian pop superstar arranged for easy piano count on me grenade it will rain just the way you are

amazon de kundenrezensionen 64 easy songs arrangiert für ukulele - May 14 2023

web finde hilfreiche kundenrezensionen und rezensionsbewertungen für 64 easy songs arrangiert für ukulele akkorde noten sheetmusic auf amazon de lese ehrliche und unvoreingenommene rezensionen von unseren nutzern

15 fun ukulele songs with simple chords anyone can play merriam music - Nov 08 2022

web dec 8 2018 2 just the way you are bruno mars easy uke songs bruno mars just the way you are ukulele tutorial this simple ukulele song only uses three chords and you already know one of them the first chord for this song is c which we ve already learned next up is a minor which also only needs one finger

64 easy songs arrangiert fur ukulele akkorde note - Jun 15 2023

web you have remained in right site to begin getting this info acquire the 64 easy songs arrangiert fur ukulele akkorde note join that we present here and check out the link you could buy guide 64 easy songs arrangiert fur ukulele akkorde note or acquire it as soon as feasible

english in bca notes tu 1st sem note bahadur - Feb 25 2022

web sep 15 2023 bca sixth semester advance java programming 2023 mcq with answersheet 2019 batch students bca notes nepal is one on new education sites for

subjects sixth semester bca fohss tu note bahadur - Aug 02 2022

web aug 14 2021 applied economics 2021 mcq answer sheet bca sixth semester sixth semester question paper bca notes nepal july 22 2022 0 applied economics

system programming notes for 6 sem bca studocu - Oct 04 2022

web tribhuvan university faculty of humanities and social sciences tufohss has designed the following course for the sixth semester for bachelor in computer

sixth semester archives bca notes nepal - Dec 06 2022

web nov 15 2021 this course of applied economics aims to enhance understanding of the economic theories and application to develop skills of students in personal and

notes of bca 6th semester - Aug 14 2023

web oct 27 2018 bangalore university bca sixth 6th sem notes study material bustudy mate connecting minds

bca 6th semester subjects and syllabus 2023 geeksforgeeks - Sep 03 2022

web feb 10 2022 notes of bca 6th sem 2021 22 net framework bca sessional exam pdf study material

bca 6th semester notes sdak24 - May 11 2023

web dec 11 2021 bca sixth semester all subject syllabus bca tu by bca notes nepal december 11 2021 13719 bca sixth semester all subject syllabus bca tu mobile

bangalore university bca sixth 6th sem notes study material - Jul 13 2023

web in the semester 6th there are five subjects computer network security information system e commerce knowledge management and there are two projects major

bca first semester notes bca fohss tu note bahadur - Aug 22 2021

bca tu affiliated sixth semester syllabus genuine notes - Mar 29 2022

web bca sixth semester 2023 mobile programming mcq with answersheet 2019 batch mobile programming bca sixth semester 2023 question paper bca notes nepal

sixth semester question paper archives bca notes nepal - May 31 2022

web e commerce bba notes sixth semester tu youtu be cwiqfqnmmag genuine notes is here for you to increase your academic knowledge by providing you

mobile programming complete notes bca sixth semester - Nov 24 2021

web mar 13 2023 unlock the power of mobile devices with our comprehensive guide to bca 6th semester mobile programming learn how to create dynamic apps that run smoothly on

bca sixth semester advance java programming 2023 mcq with - Dec 26 2021

web mar 13 2023 bca sixth semester network programming is designed to extend student s knowledge and practice in analysis and design of computer networks by focusing on

bca sixth semester applied economics notes old questions - Jan 07 2023

web sixth semester bca notes nepal december 11 2021 0 bca sixth semester all subject syllabus bca tu mobile programming distributed systems networking programming

bca sixth semester 6th sem notes vandar - Feb 08 2023

web mar 13 2023 third semester statistics probability system analysis design oop in java data structure algorithm web technology fourth semester software

bca sessional exam pdf net framework notes teachmint - Jul 01 2022

web download free bca 6th sem module wise notes latest solved question papers previous 5 years question paper till 2021 model question papers easy notes exam oriented notes

bca sixth semester network programming notes syllabus - Oct 24 2021

web bca first semester notes tribhuvan university faculty of humanities and social sciences tufohss has designed the following course for the first semester for

bca semester 6th all bca best courses academy - Jun 12 2023

web may 31 2023 bca 6th semester notes in this article have bca 5th sem notes for all subjects with unit wise it is very helpful for all students who are studying bca courses

bca notes nepal - Jan 27 2022

web mar 10 2022 rbca sixth semester mobile programming notes introduction to mobile and mobile programming introduction to android programming designing the user interface

tu bca 6th semester applied economics note bahadur - Nov 05 2022

web aug 2 2023 the bca program is typically divided into 6 semesters and this article provides a comprehensive overview of the last semester of bca course and its

bangalore north university bca 6th semester study materials - Apr 29 2022

web english in bca notes english in bca aims at helping students combine the knowledge of the english language with their technical knowledge with special emphasis on vocabulary

bca sixth semester all subject syllabus bca tu bca notes - Apr 10 2023

web jul 16 2022 in book distributed system bca 2020 question is totally different from the above provided 2020 bca distributed system the book is published by kec please

distributed system notes bca sixth semester - Mar 09 2023

web tribhuvan university faculty of humanities and social sciences tufohss has designed the following course for the sixth semester of bachelor in computer

bca 6th semester mobile programming notes lab reports - Sep 22 2021