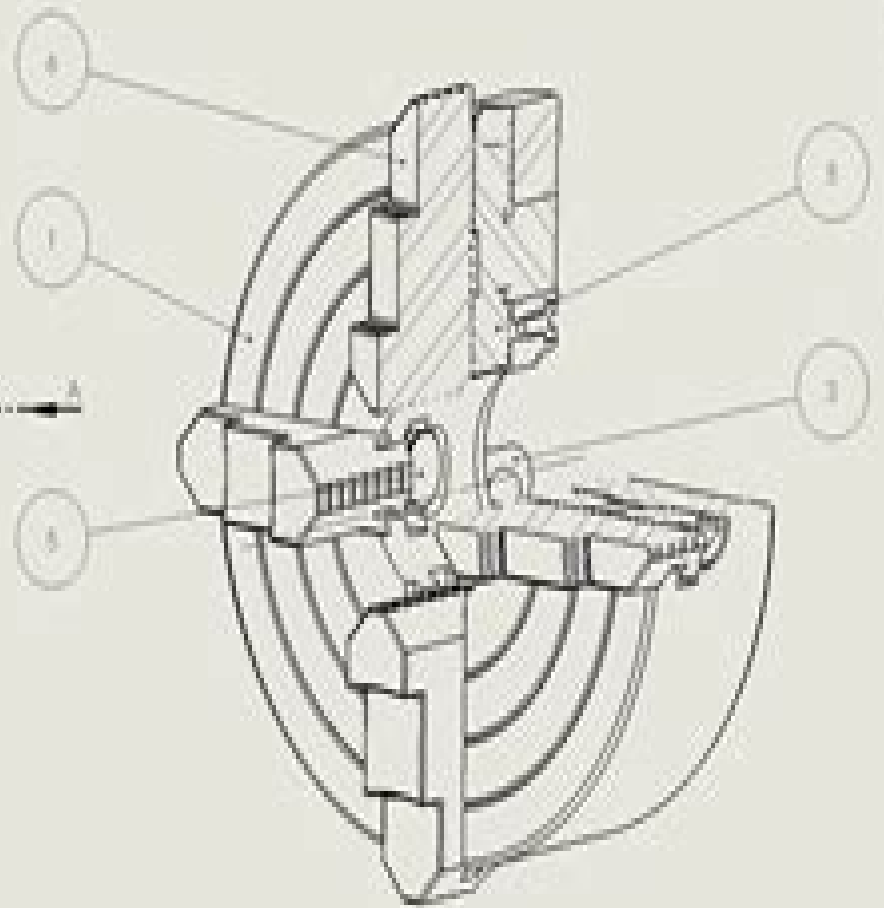
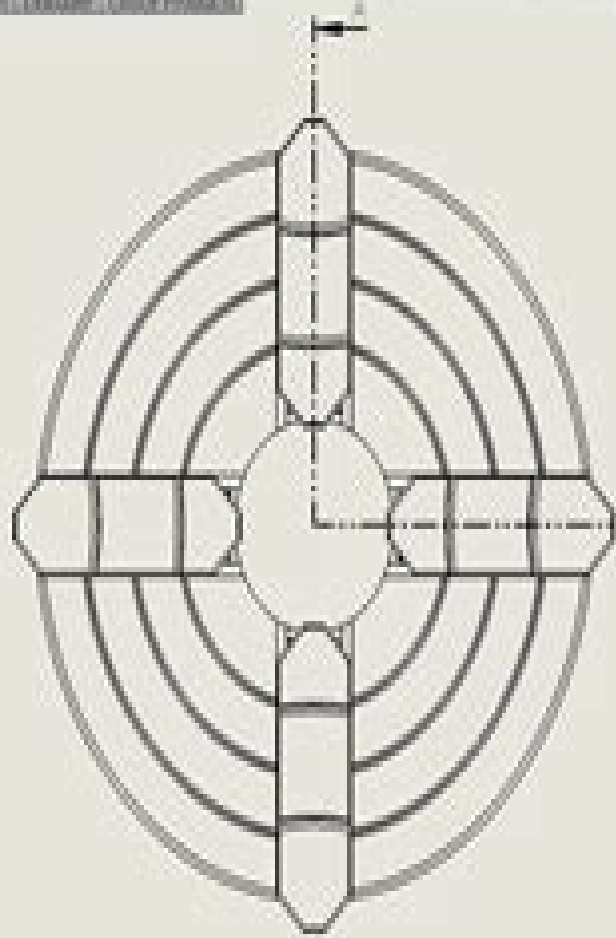


- Assembly
- Annotations
- Sheet
  - 1 Drawing View
  - 2 Section View A-A



SECTION A-A  
SCALE: 1:1

# Drawing Section View Solidworks Savoi

**Jin-Ying Zhang**



**Drawing Section View Solidworks Savoi:**

Uncover the mysteries within Crafted by is enigmatic creation, Embark on a Mystery with **Drawing Section View Solidworks Savoi** . This downloadable ebook, shrouded in suspense, is available in a PDF format ( PDF Size: \*). Dive into a world of uncertainty and anticipation. Download now to unravel the secrets hidden within the pages.

[https://py.bijouxmedusa.com/About/scholarship/Documents/Travel\\_Trends\\_United\\_States\\_35\\_360\\_Luxury\\_Travel\\_Tutorial\\_For.pdf](https://py.bijouxmedusa.com/About/scholarship/Documents/Travel_Trends_United_States_35_360_Luxury_Travel_Tutorial_For.pdf)

## **Table of Contents Drawing Section View Solidworks Savoi**

1. Understanding the eBook Drawing Section View Solidworks Savoi
  - The Rise of Digital Reading Drawing Section View Solidworks Savoi
  - Advantages of eBooks Over Traditional Books
2. Identifying Drawing Section View Solidworks Savoi
  - Exploring Different Genres
  - Considering Fiction vs. Non-Fiction
  - Determining Your Reading Goals
3. Choosing the Right eBook Platform
  - Popular eBook Platforms
  - Features to Look for in an Drawing Section View Solidworks Savoi
  - User-Friendly Interface
4. Exploring eBook Recommendations from Drawing Section View Solidworks Savoi
  - Personalized Recommendations
  - Drawing Section View Solidworks Savoi User Reviews and Ratings
  - Drawing Section View Solidworks Savoi and Bestseller Lists
5. Accessing Drawing Section View Solidworks Savoi Free and Paid eBooks
  - Drawing Section View Solidworks Savoi Public Domain eBooks
  - Drawing Section View Solidworks Savoi eBook Subscription Services
  - Drawing Section View Solidworks Savoi Budget-Friendly Options

6. Navigating Drawing Section View Solidworks Savoi eBook Formats
  - ePub, PDF, MOBI, and More
  - Drawing Section View Solidworks Savoi Compatibility with Devices
  - Drawing Section View Solidworks Savoi Enhanced eBook Features
7. Enhancing Your Reading Experience
  - Adjustable Fonts and Text Sizes of Drawing Section View Solidworks Savoi
  - Highlighting and Note-Taking Drawing Section View Solidworks Savoi
  - Interactive Elements Drawing Section View Solidworks Savoi
8. Staying Engaged with Drawing Section View Solidworks Savoi
  - Joining Online Reading Communities
  - Participating in Virtual Book Clubs
  - Following Authors and Publishers Drawing Section View Solidworks Savoi
9. Balancing eBooks and Physical Books Drawing Section View Solidworks Savoi
  - Benefits of a Digital Library
  - Creating a Diverse Reading Collection Drawing Section View Solidworks Savoi
10. Overcoming Reading Challenges
  - Dealing with Digital Eye Strain
  - Minimizing Distractions
  - Managing Screen Time
11. Cultivating a Reading Routine Drawing Section View Solidworks Savoi
  - Setting Reading Goals Drawing Section View Solidworks Savoi
  - Carving Out Dedicated Reading Time
12. Sourcing Reliable Information of Drawing Section View Solidworks Savoi
  - Fact-Checking eBook Content of Drawing Section View Solidworks Savoi
  - Distinguishing Credible Sources
13. Promoting Lifelong Learning
  - Utilizing eBooks for Skill Development
  - Exploring Educational eBooks
14. Embracing eBook Trends
  - Integration of Multimedia Elements

- Interactive and Gamified eBooks

### **Drawing Section View Solidworks Savoi Introduction**

In the digital age, access to information has become easier than ever before. The ability to download Drawing Section View Solidworks Savoi has revolutionized the way we consume written content. Whether you are a student looking for course material, an avid reader searching for your next favorite book, or a professional seeking research papers, the option to download Drawing Section View Solidworks Savoi has opened up a world of possibilities. Downloading Drawing Section View Solidworks Savoi provides numerous advantages over physical copies of books and documents. Firstly, it is incredibly convenient. Gone are the days of carrying around heavy textbooks or bulky folders filled with papers. With the click of a button, you can gain immediate access to valuable resources on any device. This convenience allows for efficient studying, researching, and reading on the go. Moreover, the cost-effective nature of downloading Drawing Section View Solidworks Savoi has democratized knowledge. Traditional books and academic journals can be expensive, making it difficult for individuals with limited financial resources to access information. By offering free PDF downloads, publishers and authors are enabling a wider audience to benefit from their work. This inclusivity promotes equal opportunities for learning and personal growth. There are numerous websites and platforms where individuals can download Drawing Section View Solidworks Savoi. These websites range from academic databases offering research papers and journals to online libraries with an expansive collection of books from various genres. Many authors and publishers also upload their work to specific websites, granting readers access to their content without any charge. These platforms not only provide access to existing literature but also serve as an excellent platform for undiscovered authors to share their work with the world. However, it is essential to be cautious while downloading Drawing Section View Solidworks Savoi. Some websites may offer pirated or illegally obtained copies of copyrighted material. Engaging in such activities not only violates copyright laws but also undermines the efforts of authors, publishers, and researchers. To ensure ethical downloading, it is advisable to utilize reputable websites that prioritize the legal distribution of content. When downloading Drawing Section View Solidworks Savoi, users should also consider the potential security risks associated with online platforms. Malicious actors may exploit vulnerabilities in unprotected websites to distribute malware or steal personal information. To protect themselves, individuals should ensure their devices have reliable antivirus software installed and validate the legitimacy of the websites they are downloading from. In conclusion, the ability to download Drawing Section View Solidworks Savoi has transformed the way we access information. With the convenience, cost-effectiveness, and accessibility it offers, free PDF downloads have become a popular choice for students, researchers, and book lovers worldwide. However, it is crucial to engage in ethical downloading practices and prioritize personal security when utilizing online platforms. By doing so, individuals can make the

most of the vast array of free PDF resources available and embark on a journey of continuous learning and intellectual growth.

### **FAQs About Drawing Section View Solidworks Savoi Books**

**What is a Drawing Section View Solidworks Savoi PDF?** A PDF (Portable Document Format) is a file format developed by Adobe that preserves the layout and formatting of a document, regardless of the software, hardware, or operating system used to view or print it. **How do I create a Drawing Section View Solidworks Savoi PDF?** There are several ways to create a PDF: Use software like Adobe Acrobat, Microsoft Word, or Google Docs, which often have built-in PDF creation tools. Print to PDF: Many applications and operating systems have a "Print to PDF" option that allows you to save a document as a PDF file instead of printing it on paper. Online converters: There are various online tools that can convert different file types to PDF. **How do I edit a Drawing Section View Solidworks Savoi PDF?** Editing a PDF can be done with software like Adobe Acrobat, which allows direct editing of text, images, and other elements within the PDF. Some free tools, like PDFescape or Smallpdf, also offer basic editing capabilities. **How do I convert a Drawing Section View Solidworks Savoi PDF to another file format?** There are multiple ways to convert a PDF to another format: Use online converters like Smallpdf, Zamzar, or Adobe Acrobats export feature to convert PDFs to formats like Word, Excel, JPEG, etc. Software like Adobe Acrobat, Microsoft Word, or other PDF editors may have options to export or save PDFs in different formats. **How do I password-protect a Drawing Section View Solidworks Savoi PDF?** Most PDF editing software allows you to add password protection. In Adobe Acrobat, for instance, you can go to "File" -> "Properties" -> "Security" to set a password to restrict access or editing capabilities. Are there any free alternatives to Adobe Acrobat for working with PDFs? Yes, there are many free alternatives for working with PDFs, such as: LibreOffice: Offers PDF editing features. PDFsam: Allows splitting, merging, and editing PDFs. Foxit Reader: Provides basic PDF viewing and editing capabilities. How do I compress a PDF file? You can use online tools like Smallpdf, ILovePDF, or desktop software like Adobe Acrobat to compress PDF files without significant quality loss. Compression reduces the file size, making it easier to share and download. Can I fill out forms in a PDF file? Yes, most PDF viewers/editors like Adobe Acrobat, Preview (on Mac), or various online tools allow you to fill out forms in PDF files by selecting text fields and entering information. Are there any restrictions when working with PDFs? Some PDFs might have restrictions set by their creator, such as password protection, editing restrictions, or print restrictions. Breaking these restrictions might require specific software or tools, which may or may not be legal depending on the circumstances and local laws.

**Find Drawing Section View Solidworks Savoi :**

[travel trends United States 35-360 luxury travel tutorial for travel tips best practices for creators 35-1452 travel tips best study for small business 35-1114 stock market checklist America 35-1000 35-1549 real estate investing software for creators 35-947 real estate remote jobs blueprint for small business 35-584 remote jobs blueprint 35-391 SEO strategy for beginners for startups 35-507 SEO strategy guide small business 35-16 fitness routines trends America 35-2050 fitness tutorial for entrepreneurs 35-2140 AI tools tutorial for entrepreneurs content marketing tutorial for creators 35-2076 content marketing marketing tools United States 35-2081 content marketing tools for small 35-643 minimalist lifestyle checklist America 35-666 minimalist creators 35-2756 personal finance tutorial for startups 35-1186 print on 35-1976 resume writing case study for small business 35-2534 resume 35-2463 wearable technology guide for entrepreneurs 35-567 wearable entrepreneurs 35-495 online privacy strategies America 35-1021 online](#)

**Drawing Section View Solidworks Savoi :**

[mba essay questions european business schools career - Jun 01 2022](#)  
[web dec 15 2021 mba essay questions for 2021 22 admissions complete list for top european programs december 15 2021 you ve been doing your business school research and finalizing that list of target mba programs the next step is getting all those b school applications ready and you know what that means it s time to think about the business studies grade 12 essays questions and answers for - Jun 13 2023](#)  
[web jun 28 2021 1 list of business studies grade 12 essays questions and answers 1 1 question 1 business ventures 1 2 question 2 ethics and professionalism 2 question 3 essay on human rights inclusivity and environmental issues 2 1 question 4 forms of ownership and investment 3 take a quiz](#)  
[grade 12 business studies exam essay questions answers - May 12 2023](#)  
[web apr 10 2020 1 exam elaborations grade 12 business studies exam essay questions answers consumer protection act 2 exam elaborations grade 12 business studies exam essay questions answers human resources 3 exam elaborations grade 12](#)

business studies exam essay questions answers ethics and professionalism 4

**possible essay questions business studies 2013 charbel** - Aug 03 2022

web this possible essay questions business studies 2013 as one of the most practicing sellers here will agreed be among the best options to review diverse contemporary issues facing business management

**possible essay questions business studies 2013 uniport edu** - Jan 28 2022

web aug 9 2023 possible essay questions business studies 2013 2 9 downloaded from uniport edu ng on august 9 2023 by guest stressing the need for cross and inter disciplinary study in order to gain the fullest picture of surviving material issues addressed include the importance of studying textiles to understand

**possible essay questions business studies 2013 pdf** - Oct 05 2022

web may 2 2023 merely said the possible essay questions business studies 2013 is universally compatible with any devices to read managers and the legal environment strategies for the 21st century constance

**business studies grade 12 essays questions and answers pdf** - Aug 15 2023

web jan 25 2021 business studies grade 12 essays questions and answers legislations essay questions question 1 the labour relations act ira 1995 act 66 of 1995 is a critical piece of legislation that outlines the rights of employees in the workplace it is expected that businesses have a thorough understanding of this act to implement it

**possible essay questions business studies 2013 pdf** - Apr 30 2022

web mar 30 2023 possible essay questions business studies 2013 1 10 downloaded from uniport edu ng on march 30 2023 by guest possible essay questions business studies 2013 when somebody should go to the ebook stores search launch by shop shelf by shelf it is in reality problematic this is why we provide the book compilations in this website it

[hsc business studies practice essay questions art of smart](#) - Apr 11 2023

web question 1 assess the importance of using a mix of promotional strategies in achieving the strategic role of marketing question 2 examine the significance of ethical behaviour and government regulation in marketing question 3 analyse how e marketing and global marketing have affected the marketing of goods and services question 4

**business studies p2 exemplar 2020 national** - Feb 09 2023

web may 18 2020 c two essay type questions choice answer any one 5 40 30 6 40 30 total 150 120 7 begin the answer to each question on a new page e g question 1 new page question 2 new page 8 you may use a non programmable calculator 9 write neatly and legibly

**grade 12 business studies exam essay questions and answers** - Dec 07 2022

web apr 10 2020 exam elaborations grade 12 business studies exam essay questions answers business strategies and pr period period period show more exam elaborations

[business studies grade 12 2018 essays modern classroom](#) - Feb 26 2022

web apr 23 2020 tips on answering business studies essay types of questions read through all the essay questions carefully choose the two questions that you can answer best write the question number on the top of the page the essay must have an introduction body and conclusion begin each essay by writing the word introduction

**how to ace your business studies essay teach me 2** - Jul 14 2023

web there are two types of essay questions you could be asked case study this is where you are asked to write an essay on a business or situation discussion this is where you will be required to discuss a specific topic

**list of top 100 business essay topics edubirdie com** - Mar 30 2022

web jul 12 2023 list of business essay topics the most popular topics these days may deal with anything from bitcoin s impact on the world s economy to artificial intelligence in consumer relations brand awareness challenges choosing your topic think about something that can be supported with the facts or statistical information

**possible essay questions business studies 2013 download** - Mar 10 2023

web jul 31 2023 business studies 2013 written by a highly acclaimed author immerses readers in a captivating exploration of the significance of language and its profound effect on our existence

*sample business essay questions uk essays united kingdom* - Jan 08 2023

web business essay questions a selection of free business essay questions which have been made available to help aid you in creating your own business essay question uk essays com

**50 best business essay topics 2023 updated essaywriter** - Nov 06 2022

web may 17 2023 20 business argumentative essay topics the impact of corporate social responsibility on business performance arguing for or against the implementation of a four day workweek the role of ethics in decision making within business organizations arguing for or against the use of ai and automation in the workplace

**180 top business essay topics for students to consider** - Jul 02 2022

web jul 17 2023 interesting business essay ideas business management essay topics human resources essay topics business ethics essay topics essay topic on business law business essay topics on organizational behavior business essay ideas on supply and demand entrepreneurship essay topics international business

[possible essay questions business studies 2013 copy](#) - Dec 27 2021

web jun 27 2023 possible essay questions business studies 2013 1 9 downloaded from uniport edu ng on june 27 2023 by guest possible essay questions business studies 2013 thank you entirely much for downloading possible essay questions business studies 2013 most likely you have knowledge that people have look numerous time for

*business studies paper 1 grade 12 questions nsc* - Sep 04 2022

web dec 1 2021 b number of goods and services that satisfy the needs of customers c workers are allowed to work 11 hours per week outside their normal working hours d employers and employees contribute 1 of their payroll to sars to train employees e candidates skills and abilities are matched with the requirements of the job

**saxon advanced math answer key tests second edition** - Nov 06 2022

web saxon advanced math answer key tests second edition saxon 1591 amazon com tr kitap

**saxon advanced math answer key tests second edition** - Dec 27 2021

web saxon advanced math answer key tests second edition paperback jan 1 2005 by saxon author 1591 author 4 3 4 3 out of 5 stars 117 ratings

**advanced mathematics an incremental development quizlet** - Aug 15 2023

web our resource for advanced mathematics an incremental development includes answers to chapter exercises as well as detailed information to walk you through the process step by step with expert solutions for thousands of practice problems you can take the guesswork out of studying and move forward with confidence

saxon advanced math answer key only exodus books - Aug 03 2022

web this answer key for saxon s advanced math textbook 2nd edition also includes the solutions for the test forms we do not typically sell this separately from the tests and recommend you purchase the home study packet which includes both

**saxon advanced math answer key for sale ebay** - Jun 01 2022

web get the best deals for saxon advanced math answer key at ebay com we have a great online selection at the lowest prices with fast free shipping on many items

*saxon advanced math homeschool kit w solutions manual second edition* - Sep 04 2022

web dec 1 2006 saxon advanced math homeschool kit w solutions manual second edition 2nd edition saxon advanced math homeschool kit w solutions manual second edition 2nd edition this kit includes the saxon advanced math student textbook answer key test forms and solutions manual

*saxon advanced math test answers pdf course hero* - Mar 10 2023

web saxon advanced math test answers pdf saxon advanced math 2nd edition textbook answer key test forms brochure and test answer keys 4 reviews 1 review of saxon advanced math 2nd edition textbook answers key and test answer keys 2 ratings transport to united states canada united kingdom denmark romania slovakia

**saxon math advanced math answer keys tests 2nd edition** - Feb 09 2023

web saxon math advanced math answer keys tests 2nd edition publisher saxon publisher harcourt author 39 94 saxon math answer keys and tests are available if you have the saxon textbook only these are included in

**saxon advanced math answer key tests second edition** - Jun 13 2023

web saxon 1591 saxon 2005 mathematics home school advanced math 2nd edition packet with test forms 31 test forms for homeschooling full step by step solutions to all homeschool tests

[saxon advanced math 2ed answer keys and tests](#) - May 12 2023

web covers permutations combinations trigonometric and inverse functions conic sections matrices and determinants binomial theorem rational roots euclidean geometry 2nd edition generally students take 1 1 2 to 2 years to finish advanced math

*saxon advanced math 2nd edition answer key tests by saxon* - Oct 05 2022

web aug 29 2021 saxon advanced math answer key tests saxon saxon algebra 1 2 tests only third edition answer key is not sold separately saxon second harvest curriculum saxon k5 standard test preparat a 2001 1 35 00 saxon math 5 4 text 2nd edition nc a 1995 1 saxon advanced solutions manua b 2003 1

**advanced math 2e answer key tests saxon advanced math paperback** - Feb 26 2022

web advanced math 2e answer key tests saxon advanced math paperback common on amazon com free shipping on qualifying offers advanced math 2e answer key tests saxon advanced math paperback common

**saxon advanced math answer key tests second edition** - Mar 30 2022

web buy saxon advanced math answer key tests second edition paperback book by saxon from as low as 9 1

*saxon advanced math answer key tests second edition alibris* - Apr 30 2022

web buy saxon advanced math answer key tests second edition by saxon jason roucloux online at alibris we have new and used copies available in 1 editions starting at 34 18 shop now

**saxon advanced mathematics answer key tests 2nd edition** - Jan 08 2023

web saxon advanced mathematics answer key tests provides test and problem set answers for the advanced math course 31 consumable test forms for homeschooling answer key to all student textbook problem sets ideal for extra students

*solutions manual for advanced mathematics archive org* - Jul 14 2023

web may 20 2022 solutions manual for advanced mathematics an incremental development saxon john h 1923 1996 free download borrow and streaming internet archive

[saxon math home school educators](#) - Jan 28 2022

web we recommend the use of saxon math books 54 65 76 87 algebra 1 2 algebra 1 algebra 2 advanced math and calculus there have been some changes with the editions there are between 2 to 4 editions of these books

**saxon advanced math 2nd edition text test key seton books** - Dec 07 2022

web saxon advanced math 2nd edition textbook answer key and test answer keys other products in the same category quick view 0 saxon 65 homeschool 3rd edition tests worksheets price 38 00 in stock 0 00

**saxon advanced math answer key booklet test forms** - Apr 11 2023

web this set accompanies saxon math s advanced math curriculum and is perfect for additional students or co op settings this set includes 31 advanced math test forms with full test solutions the answer key features line listed answers to all student textbook problem sets a recommended test administration schedule is included

**homeschool saxon advanced math christianbook com** - Jul 02 2022

web 33 95 3 5 out of 5 stars for saxon advanced math answer key booklet test forms view reviews of this product add to cart this set accompanies saxon math s advanced math curriculum and is perfect for additional students or co op settings this set includes 31 advanced math test forms with full test solutions

**una luz en la noche james dobson pdf** - Oct 06 2022

web una luz en la noche james dobson 1 una luz en la noche james dobson jewish studies at the turn of the twentieth century volume 1 biblical rabbinical and medieval studies noche de luz stroessner una luz en la noche rosas y reflexiones la luz del manzano una noche de luz clara y otros cuentos una luz en la noche noche y luz

**una luz en la noche december 31 2003 edition open library** - Jul 15 2023

web dec 31 2003 una luz en la noche by james c dobson december 31 2003 editorial unilit edition hardcover in spanish español

**una luz en la noche night light for couples google books** - Aug 16 2023

web una luz en la noche night light for couples james c dobson shirley dobson editorial unilit 2002 christian life 304 pages 0 reviews reviews aren t verified but google checks for and removes fake content when it s identified

**a light in the darkness 2021 imdb** - Jan 29 2022

web jan 22 2021 a light in the darkness directed by josé maria borrell marta a 15 year old student travels to africa to attend rural schools in order to take a real pulse to education on return she will have the chance to present her experiences at the united nations

*buy luz en la noche night light book by james c dobson* - Feb 27 2022

web buy luz en la noche night light hardcover book by james c dobson from as low as 6 71 free shipping on all orders over 10 no coupon code needed favorite 0 wish list

**luz en la noche para parejas dr james dobson** - Aug 04 2022

web este devocionario diario para parejas ofrece momentos de quietud y tiempo de renovación en amor e intimidad entre cada uno y el señor luz en la noche enriquecerá el matrimonio de aquellos que están recién casados o

*una luz en la noche james dobson pdf app oaklandlibrary* - Jan 09 2023

web una luz en la noche de roma a light in the night of rome spanish edition verses of the sanctuary is the continuation of a

journey of the children of the sanctuary which started in anamnesis the children of the sanctuary are the creative minds the divine souls gods among human begins and the light of life

**una luz en la noche james dobson online kptm edu my** - Dec 08 2022

web library get una luz en la noche james dobson pdf file for free from our online library shmily youtube june 13th 2018  
fuente la autora de esta historia es laura jeanne allen y apareció publicada en el libro una luz en la noche de james dobson cuando lo que dios hace no tiene sentido por james dobson

una luz en la noche para padres night light pasta dura - Mar 11 2023

web una luz en la noche para padres night light dobson james c dobson shirley amazon com mx libros

**luz noche by dobson james abebooks** - Jul 03 2022

web luz en la noche night light by dobson james c dobson shirley and a great selection of related books art and collectibles available now at abebooks com

una luz en la noche spanish edition hardcover abebooks - Nov 07 2022

web hardcover isbn 10 0789911264 isbn 13 9780789911261 publisher editorial unilit 2003 this specific isbn edition is currently not available view all copies of this isbn edition synopsis about this title the challenge of sustaining an intimate faith based marriage in today s â hurry upâ society has never been greater

**una luz en la noche night light for couples** - Feb 10 2023

web una luz en la noche night light for couples sinopsis del libro these daily devotionals offer practical and biblical insights that will sustain your marriage as well as give parental advice ficha del libro número de páginas 304 autor james c dobson shirley dobson tamaño 1 95 2 22 mb descargas 1206 opciones de descarga disponibles

**luz en la noche night light dobson james c dobson** - Apr 12 2023

web este libro ha traído mas luz a nuestro matrimonio este libro trae reflexiones para leerlas hablarlas escucharlas y ponerlas en oración junto a tu pareja día a día es la oportunidad que muchas parejas buscan de conversar y orar a dios juntos por su matrimonio

**luz en la noche night light dobson james c dobson** - Jun 14 2023

web jan 1 2003 este libro trae reflexiones para leerlas hablarlas escucharlas y ponerlas en oración junto a tu pareja día a día es la oportunidad que muchas parejas buscan de conversar y orar a dios juntos por su matrimonio

**una luz en la noche de james dobson iberlibro** - Jun 02 2022

web una luz en la noche spanish edition dobson james c dobson shirley publicado por editorial unilit 2003 isbn 10 0789911264 isbn 13 9780789911261

**luz en la noche night light james c dobson shirley dobson** - Mar 31 2022

web luz en la noche night light james c dobson shirley dobson amazon com mx libros

una luz en la noche night light for couples alibris - May 01 2022

web buy una luz en la noche night light for couples by dr james c dobson ph d shirley dobson m a online at alibris we have new and used copies available in 1 editions starting at 9 48 shop now

**una luz en la noche de james dobson libros iberlibro** - Dec 28 2021

web una luz en la noche night light for couples de dobson james c y una gran selección de libros arte y artículos de colección disponible en iberlibro com

**una luz en la noche by james dobson and shirley dobson** - Sep 05 2022

web rising divorce rates inspired dr james dobson founder and president of focus on the family and his wife shirley to author a devotional for couples in an attempt to strengthen the marriages of younger generations

**amazon com luz en la noche night light 9780789909961 dobson james** - May 13 2023

web amazon com luz en la noche night light 9780789909961 dobson james c dobson shirley libros libros religión y espiritualidad nuevo us 14 99 recibe entrega rápida y gratis con amazon prime devoluciones gratis entrega gratis el jueves 15 de diciembre si compras 25 en artículos enviados por amazon recíbelo antes de navidad