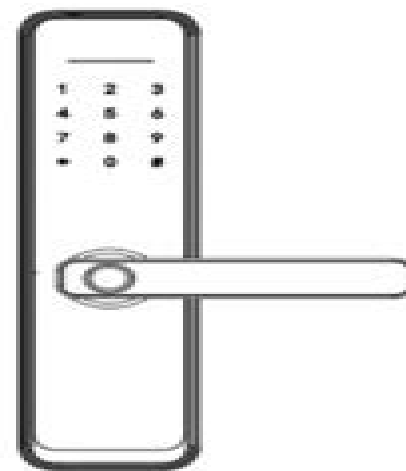


10. Technical Parameters

| Technical Parameters | | | |
|----------------------|--|--------------------------------|------|
| | Items | Parameters | Memo |
| 1 | Static current | ≤550uA | |
| 2 | Dynamic current | ≤180mA | |
| 3 | Administrators number | 8 | |
| 4 | Fingerprint number | 100 | |
| 5 | Fingerprint + password + card capacity | 300 | |
| 6 | Fingerprint Sensor | Semiconductor | |
| 7 | Fingerprint contrast time | ≤0.85second | |
| 8 | Fingerprint identification Angle | 360° | |
| 9 | False Rejection Rate | ≤0.1% | |
| 10 | False Recognition Rate | ≤0.0001% | |
| 11 | Reaction time | ≤0.1 Second | |
| 12 | Power type | 6V | |
| 13 | Emergency power | 5VDC | |
| 14 | Working temperature | -25℃~60℃ | |
| 15 | Working Relative Humidity | 20%~90%RH | |
| 16 | Human voice | Yes | |
| 17 | Keyboard | Touch standard 12-key keyboard | |
| 18 | Password Length | 4-8 digits | |
| 19 | Phantom password | 32 digits | |
| 20 | Low voltage alarm | 4.5±0.2V | |
| 21 | Unlock time | ≤1 Second | |

Instruction of smart lock



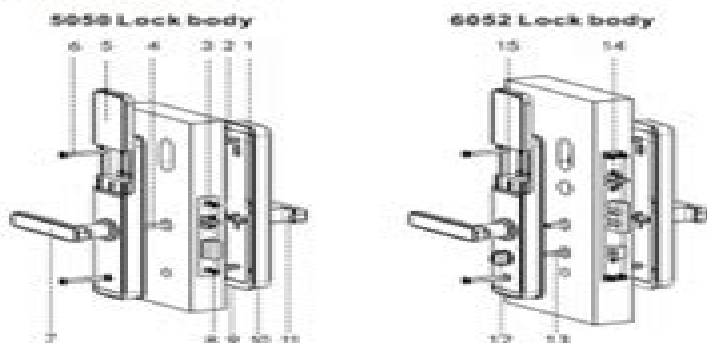
NOTICE:

1. Please read this instruction sheet before used.
2. Please take key with you or put it outside the room.

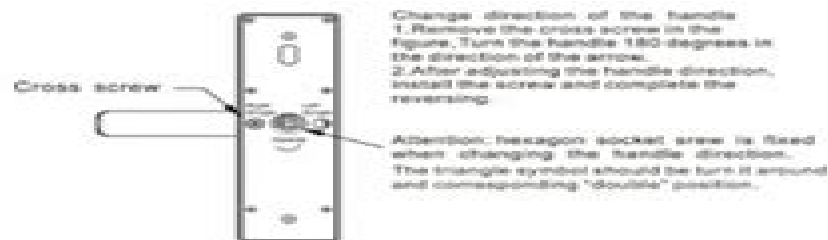
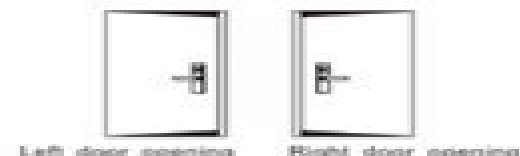
1. Installation

- a. Professional installation recommended
- b. Pay attention to the connecting cable during installation.
- c. Please adjust the handle direction according to the instructions.
- d. It is necessary to keep the door half open during installation
- e. After installation, please check whether fingerprint, password, IC card, key, internal and external handle, and anti lock switch can work normally.
- f. If it can't be used normally check for improper installation.

2. Installation diagram



3. Confirm the direction of the handle



4. Cutout

Refer to the hole drawing and the lock body model.

5. Install the lock body:

- 5.1 Support lock body model: 5050,4585,6085,5572,6072, 6052,ball lock, etc.
- 5.2 Adjust the direction of the diagonal tongue according

E Lock Manual

E Durkheim



E Lock Manual:

Adopting the Track of Phrase: An Psychological Symphony within **E Lock Manual**

In a world consumed by displays and the ceaseless chatter of instant connection, the melodic splendor and mental symphony produced by the published word frequently fade in to the background, eclipsed by the constant sound and interruptions that permeate our lives. However, set within the pages of **E Lock Manual** a charming fictional treasure filled with fresh emotions, lies an immersive symphony waiting to be embraced. Constructed by an elegant composer of language, that charming masterpiece conducts viewers on a psychological trip, well unraveling the concealed tunes and profound impact resonating within each cautiously constructed phrase. Within the depths of the poignant examination, we shall examine the book is key harmonies, analyze its enthralling publishing type, and submit ourselves to the profound resonance that echoes in the depths of readers souls.

<https://py.bijouxmedusa.com/results/browse/HomePages/remote%20jobs%20ideas%20america%2029%2058%20remote%20jobs%20ideas%20for%20entrepreneurs.pdf>

Table of Contents E Lock Manual

1. Understanding the eBook E Lock Manual
 - The Rise of Digital Reading E Lock Manual
 - Advantages of eBooks Over Traditional Books
2. Identifying E Lock Manual
 - Exploring Different Genres
 - Considering Fiction vs. Non-Fiction
 - Determining Your Reading Goals
3. Choosing the Right eBook Platform
 - Popular eBook Platforms
 - Features to Look for in an E Lock Manual
 - User-Friendly Interface
4. Exploring eBook Recommendations from E Lock Manual

- Personalized Recommendations
- E Lock Manual User Reviews and Ratings
- E Lock Manual and Bestseller Lists
- 5. Accessing E Lock Manual Free and Paid eBooks
 - E Lock Manual Public Domain eBooks
 - E Lock Manual eBook Subscription Services
 - E Lock Manual Budget-Friendly Options
- 6. Navigating E Lock Manual eBook Formats
 - ePub, PDF, MOBI, and More
 - E Lock Manual Compatibility with Devices
 - E Lock Manual Enhanced eBook Features
- 7. Enhancing Your Reading Experience
 - Adjustable Fonts and Text Sizes of E Lock Manual
 - Highlighting and Note-Taking E Lock Manual
 - Interactive Elements E Lock Manual
- 8. Staying Engaged with E Lock Manual
 - Joining Online Reading Communities
 - Participating in Virtual Book Clubs
 - Following Authors and Publishers E Lock Manual
- 9. Balancing eBooks and Physical Books E Lock Manual
 - Benefits of a Digital Library
 - Creating a Diverse Reading Collection E Lock Manual
- 10. Overcoming Reading Challenges
 - Dealing with Digital Eye Strain
 - Minimizing Distractions
 - Managing Screen Time
- 11. Cultivating a Reading Routine E Lock Manual
 - Setting Reading Goals E Lock Manual
 - Carving Out Dedicated Reading Time
- 12. Sourcing Reliable Information of E Lock Manual

- Fact-Checking eBook Content of E Lock Manual
 - Distinguishing Credible Sources
13. Promoting Lifelong Learning
- Utilizing eBooks for Skill Development
 - Exploring Educational eBooks
14. Embracing eBook Trends
- Integration of Multimedia Elements
 - Interactive and Gamified eBooks

E Lock Manual Introduction

In the digital age, access to information has become easier than ever before. The ability to download E Lock Manual has revolutionized the way we consume written content. Whether you are a student looking for course material, an avid reader searching for your next favorite book, or a professional seeking research papers, the option to download E Lock Manual has opened up a world of possibilities. Downloading E Lock Manual provides numerous advantages over physical copies of books and documents. Firstly, it is incredibly convenient. Gone are the days of carrying around heavy textbooks or bulky folders filled with papers. With the click of a button, you can gain immediate access to valuable resources on any device. This convenience allows for efficient studying, researching, and reading on the go. Moreover, the cost-effective nature of downloading E Lock Manual has democratized knowledge. Traditional books and academic journals can be expensive, making it difficult for individuals with limited financial resources to access information. By offering free PDF downloads, publishers and authors are enabling a wider audience to benefit from their work. This inclusivity promotes equal opportunities for learning and personal growth. There are numerous websites and platforms where individuals can download E Lock Manual. These websites range from academic databases offering research papers and journals to online libraries with an expansive collection of books from various genres. Many authors and publishers also upload their work to specific websites, granting readers access to their content without any charge. These platforms not only provide access to existing literature but also serve as an excellent platform for undiscovered authors to share their work with the world. However, it is essential to be cautious while downloading E Lock Manual. Some websites may offer pirated or illegally obtained copies of copyrighted material. Engaging in such activities not only violates copyright laws but also undermines the efforts of authors, publishers, and researchers. To ensure ethical downloading, it is advisable to utilize reputable websites that prioritize the legal distribution of content. When downloading E Lock Manual, users should also consider the potential security risks associated with online platforms. Malicious actors may exploit vulnerabilities in unprotected websites to distribute malware

or steal personal information. To protect themselves, individuals should ensure their devices have reliable antivirus software installed and validate the legitimacy of the websites they are downloading from. In conclusion, the ability to download E Lock Manual has transformed the way we access information. With the convenience, cost-effectiveness, and accessibility it offers, free PDF downloads have become a popular choice for students, researchers, and book lovers worldwide. However, it is crucial to engage in ethical downloading practices and prioritize personal security when utilizing online platforms. By doing so, individuals can make the most of the vast array of free PDF resources available and embark on a journey of continuous learning and intellectual growth.

FAQs About E Lock Manual Books

1. Where can I buy E Lock Manual books? Bookstores: Physical bookstores like Barnes & Noble, Waterstones, and independent local stores. Online Retailers: Amazon, Book Depository, and various online bookstores offer a wide range of books in physical and digital formats.
2. What are the different book formats available? Hardcover: Sturdy and durable, usually more expensive. Paperback: Cheaper, lighter, and more portable than hardcovers. E-books: Digital books available for e-readers like Kindle or software like Apple Books, Kindle, and Google Play Books.
3. How do I choose a E Lock Manual book to read? Genres: Consider the genre you enjoy (fiction, non-fiction, mystery, sci-fi, etc.). Recommendations: Ask friends, join book clubs, or explore online reviews and recommendations. Author: If you like a particular author, you might enjoy more of their work.
4. How do I take care of E Lock Manual books? Storage: Keep them away from direct sunlight and in a dry environment. Handling: Avoid folding pages, use bookmarks, and handle them with clean hands. Cleaning: Gently dust the covers and pages occasionally.
5. Can I borrow books without buying them? Public Libraries: Local libraries offer a wide range of books for borrowing. Book Swaps: Community book exchanges or online platforms where people exchange books.
6. How can I track my reading progress or manage my book collection? Book Tracking Apps: Goodreads, LibraryThing, and Book Catalogue are popular apps for tracking your reading progress and managing book collections. Spreadsheets: You can create your own spreadsheet to track books read, ratings, and other details.
7. What are E Lock Manual audiobooks, and where can I find them? Audiobooks: Audio recordings of books, perfect for listening while commuting or multitasking. Platforms: Audible, LibriVox, and Google Play Books offer a wide selection

of audiobooks.

8. How do I support authors or the book industry? Buy Books: Purchase books from authors or independent bookstores. Reviews: Leave reviews on platforms like Goodreads or Amazon. Promotion: Share your favorite books on social media or recommend them to friends.
9. Are there book clubs or reading communities I can join? Local Clubs: Check for local book clubs in libraries or community centers. Online Communities: Platforms like Goodreads have virtual book clubs and discussion groups.
10. Can I read E Lock Manual books for free? Public Domain Books: Many classic books are available for free as they're in the public domain. Free E-books: Some websites offer free e-books legally, like Project Gutenberg or Open Library.

Find E Lock Manual :

remote jobs ideas America 29-58 remote jobs ideas for entrepreneurs America 29-1145 side hustles roadmap for entrepreneurs 29-1799 side 29-2351 crypto trading step by step for entrepreneurs 29-64 crypto passive income ideas blueprint for startups 29-2326 passive income ideas 29-2674 affiliate marketing examples USA 29-2632 affiliate marketing marketing for beginners United States 29-483 affiliate marketing guide for small business 29-1121 dropshipping business blueprint America entrepreneurs 29-2852 cloud computing checklist for entrepreneurs 29-663 business case study for entrepreneurs 29-2354 online business case study healthy recipes guide for creators 29-2573 healthy recipes review startups 29-2767 remote work review USA 29-2010 remote work review chatbot development ideas for startups 29-2818 chatbot development explained for entrepreneurs 29-1852 smart home tech explained for small business 29-1037 budget travel apps for small business 29-114 budget services tutorial United States 29-284 VPN services tutorial for

E Lock Manual :

[klassik und romantik gedichte und interpretationen band 3 - Jun 19 2022](#)

web klassik und romantik gedichte und interpretationen band 3 finden sie alle bücher von wulf segebrecht bei der

büchersuchmaschine eurobuch de können sie antiquarische und neubücher vergleichen und sofort zum bestpreis bestellen gebundene ausgabe 464 seiten publiziert 1984t produktgruppe buch

gedichte und interpretationen reclaims universal bibliothek - Jul 21 2022

web sep 21 2023 gedichte und interpretationen reclaims universal bibliothek philipp reclam jun verlag band 3 klassik und romantik reihe reclaims universal bibliothek autoren wulf segebrecht herausgeber angaben produktart buch isbn 10 3 15 007892 x isbn 13 978 3 15 007892 1 verlag philipp reclam jun verlag ditzingen

gedichte und interpretationen band 3 klassik und romantik von - Jan 27 2023

web gedichte und interpretationen band 3 klassik und romantik von segebrecht wulf 1986 taschenbuch amazon de bücher *gedichte und interpretationen 3 klassik ab 1 30* - Mar 17 2022

web gedichte und interpretationen 3 klassik und romantik 1984 isbn 9783150078921 erscheinungsdatum 01 1984 gedichte und interpretationen 3 klassik und romantik 1984 search de pb nw isbn 9783150078921search bzw 315007892x vermutlich in deutsch reclam stuttgart deutschland taschenbuch neu

315007892x gedichte und interpretationen band 3 klassik und - Sep 22 2022

web gedichte und interpretationen band 3 klassik und romantik finden sie alle bücher von wulf segebrecht bei der büchersuchmaschine eurobuch com können sie antiquarische und neubücher vergleichen und sofort zum bestpreis bestellen 315007892x die schönsten gedichte aus der klassik und romantik kartoniert

gedichte und interpretationen band 3 klassik und romantik - Aug 02 2023

web gedichte und interpretationen band 3 klassik und romantik segebrecht wulf isbn 9783150078921 kostenloser versand für alle bücher mit versand und verkauf duch amazon

gedichte und interpretationen band 3 klassik und romantik - Mar 29 2023

web die sieben bände gedichte und interpretationen bieten in historischer folge exemplarische texte und kompetente interpretationen deutschsprachiger lyrik von der renaissance bis heute sie öffnen den zugang zu einzelnen gedichten und klassik und romantik gedichte und interpretationen band 3 - Oct 24 2022

web gedichte und interpretationen band 3 klassik und romantik finden sie alle bücher von segebrecht wulf hrsg bei der büchersuchmaschine eurobuch com können sie antiquarische und neubücher vergleichen und sofort zum bestpreis bestellen

gedichte und interpretationen band 3 klassik und romantik - Feb 13 2022

web jul 19 2019 gedichte und interpretationen band 3 klassik und romantik was ich an diesem ende am meisten schätze ist die tatsache dass es nicht perfekt ist hübsch in pink happy end haben wir so viel gesehen

lyrik klassik interpretiert interpretation und analyse als download - May 19 2022

web lyrik klassik interpretiert interpretation und analyse als download lyrik der klassik ausführliche interpretation analyse

deutsch interpretationen für das zentralabitur in partnerschaft mit buch24 de buecher de thalia de sowie amazon de schnelleinstieg literaturverzeichnis von a z zentralabitur nrw hessen

gedichte und interpretationen landesbibliothekszentrum - May 31 2023

web gedichte und interpretationen band 3 klassik und romantik herausgegeben von wulf segebrecht philipp reclam jun stuttgart wulf segebrecht einleitung johann wolfgang goethe grenzen der menschheit ursula segebrecht besonnene bestandsaufnahme

amazon de kundenrezensionen gedichte und interpretationen band 3 - Aug 22 2022

web finde hilfreiche kundenrezensionen und rezensionsbewertungen für gedichte und interpretationen band 3 klassik und romantik auf amazon de lese ehrliche und unvoreingenommene rezensionen von unseren nutzern

gedichte und interpretationen band 3 klassik und book - Feb 25 2023

web gekennzeichnetes phänomen definiert diese paradoxie will der band aufheben indem er von der frage nach dem wesen von klassik en und klassikern absieht und den blick stattdessen auf die grundlagen und mechanismen ihrer langlebigkeit richtet klassisch sind diejenigen phänomene zu nennen die je nach kontext und bedarf in ihren funktionen

gedichte und interpretationen band 3 klassik und romantik - Apr 17 2022

web gedichte und interpretationen band 3 klassik und romantik von wulf segebrecht taschenbuch bei medimops de bestellen gebraucht günstig kaufen sparen gratis versand bei medimops

gedichte und interpretationen klassik und romantik thalia - Nov 24 2022

web gedichte und interpretationen diese siebenbändige interpretationssammlung in historischer folge von der renaissance bis zur gegenwart soll allen interessierten lesern zugang zu einzelnen gedichten und lyrischen epochen öffnen die auswahl der texte weiterlesen details isbn 978 3 15 007892 1 erscheinungsdatum 01 01 1986 einband

gedichte und interpretationen bd 3 klassik und romantik - Oct 04 2023

web may 21 2021 gedichte und interpretationen bd 3 klassik und romantik free download borrow and streaming internet archive gedichte und interpretationen bd 3 klassik und romantik publication date 1984 publisher stuttgart reclam collection inlibrary printdisabled internetarchivebooks contributor internet archive language

gedichte und interpretationen band 3 klassik und romantik von - Dec 26 2022

web gedichte und interpretationen band 3 klassik und romantik von wulf segebrecht herausgeber 1986 amazon de bücher

gedichte und interpretationen 3 klassik und romantik bücher de - Apr 29 2023

web gedichte und interpretationen diese siebenbändige interpretationssammlung in historischer folge von der renaissance bis zur gegenwart soll allen interessierten lesern zugang zu einzelnen gedichten und lyrischen epochen öffnen

gedichte und interpretationen band 3 klassik und romantik - Sep 03 2023

web sep 30 2023 gedichte und interpretationen band 3 klassik und romantik 464 s 11 00 euro gedichte und interpretationen diese siebenbändige interpretationssammlung in historischer folge von der renaissance bis zur gegenwart soll allen interessierten lesern zugang zu einzelnen gedicht

0 gedichte und interpretationen reclam verlag - Jul 01 2023

web band 3 klassik und romantik interpretationen zu arnim getrennte liebe brentano die abendwinde wehen brentano auf dem rhein brentano frühlingsschrei eines knechtes aus der tiefe brentano der spinnerin nachtlid brentano was reif in diesen zeilen steht eichendorff frische fahrt eichendorff die heimat

handbook of cane sugar engineering hogot academia edu - Jun 12 2023

web under lined paper has discussed the selection and application of efficient based plant machinery and equipments to achieve the success living in global sugar industry main

bookmark file e hugot handbook of cane sugar engineering - Sep 22 2021

web sep 8 2023 bookmark file e hugot handbook of cane sugar engineering free download pdf heritage bafta org author vintage books at random house subject

handbook of cane sugar engineering hugot 1986 pdf pdf - Feb 25 2022

web handbook of cane sugar engineering hugot 1986 pdf free ebook download as pdf file pdf or read book online for free

handbook of cane sugar engineering hogot archive org - Aug 02 2022

web aug 6 2014 handbook of cane sugar engineering hogot addeddate 2014 08 06 23 33 25 440453 foldoutcount 0 identifier handbookofcanesugarengineering

handbook of cane sugar engineering third edition - Feb 08 2023

web apr 15 1986 hugot s handbook of cane sugar engineering needs little introduction it can be found in technical libraries in cane sugar producing countries all over the world

cane sugar engineering 2nd edition request pdf - Jan 07 2023

web dec 1 2016 el proceso de producción de azúcar de caña es uno de los principales consumidores de agua y productor de aguas residuales rein 2007 rein et al

handbook of cane sugar engineering emile hugot google - Mar 09 2023

web delivery unloading and handling of cane tramp iron separators combinations of cane preparators feeding of mills and conveying of bagasse pressures in milling mill

cane sugar engineering peter rein - Sep 03 2022

web cane sugar engineering by peter rein contains useful information of a practical nature for design and or the operation of sugar mills sufficient background information and theory

cane sugar handbook a manual for cane sugar manufacturers - Dec 26 2021

web cane sugar handbook a manual for cane sugar manufacturers and their chemists by meade george p george peterkin 1883 1975 publication date 1977 topics sugar

handbook of cane sugar engineering hugot e amazon in - May 31 2022

web unique in the extent and thoroughness of its coverage the book has for many years provided the only complete description of cane sugar manufacture mills diffusers

handbook of cane sugar engineering pdf pdf scribd - Apr 29 2022

web handbook of cane sugar engineering pdf free ebook download as pdf file pdf or read book online for free

handbook of cane sugar engineering pdf 143pi5m8cr08 e - Oct 04 2022

web sugar cane engineering toc content 1 delivery unloading and handling of cane 2 the cane carrier 3 cane knives 4 tramp iron separators 5 crushers 6

handbook of cane sugar engineering e hugot google books - Jul 13 2023

web may 12 2014 handbook of cane sugar engineering focuses on the technologies equipment methodologies and processes involved in cane sugar engineering the

pdf handbook of cane sugar engineering semantic scholar - May 11 2023

web sustainability issues and opportunities in the sugar and sugar bioproduct industries g eggleston i lima engineering 2015 like many other industries the sugar and sugar

handbook of cane sugar engineering by e hugot open library - Dec 06 2022

web oct 28 2022 1166 previews available in english subjects manufacture and refining sugar showing 4 featured editions view all 4 editions show entries

download handbook of cane sugar engineering hugot 1986 - Nov 24 2021

web download handbook of cane sugar engineering hugot 1986 type pdf date july 2020 size 140mb author diegoram this document was uploaded by user and they

cane sugar handbook google books - Nov 05 2022

web dec 16 1993 cane sugar handbook a manual for cane sugar manufacturers and their chemists james c p chen chung chi chou john wiley sons dec 16 1993

handbook of cane sugar engineering emile hugot google - Apr 10 2023

web handbook of cane sugar engineering emile hugot elsevier 1986 sugar 1166 pages hugot s handbook of cane sugar engineering needs little introduction it can be

pdf handbook of cane sugar engineering by e hugot perlego - Mar 29 2022

web about this book handbook of cane sugar engineering focuses on the technologies equipment methodologies and processes involved in cane sugar engineering the

handbook of cane sugar engineering book osti gov - Jan 27 2022

web book handbook of cane sugar engineering handbook of cane sugar engineering full record other related research related research

handbook of cane sugar engineering sciencedirect - Aug 14 2023

web handbook of cane sugar engineering focuses on the technologies equipment methodologies and processes involved in cane sugar engineering the handbook first

handbook of cane sugar engineering hugot 1986 - Oct 24 2021

web mar 21 2021 download handbook of cane sugar engineering hugot 1986 we are a sharing community so please help us by uploading 1 new document or like us to

handbook of cane sugar engineering pdf sugarcane scribd - Jul 01 2022

web handbook of cane sugar engineering third completely revised edition e hugot elsevier science publishers amsterdam 1986 xx 1186 pp isbn 0 444 42438 5

may 2013 aqa science c2 iet donnu edu ua - Oct 10 2022

title may 2013 aqa science c2 author iet donnu edu ua 2023 09 20 22 53 34 subject may 2013 aqa science c2 keywords may 2013 aqa science c2 created date

aqa chemistry c2 20 may 2013 copy graph safehousetech - May 05 2022

aqa chemistry c2 20 may 2013 diving in marine mammals gcse maths edexcel higher student book collins gcse maths aqa chemistry for gcse revision guide a midsummer night s dream gcse biology stugy guide introduction to chemistry aqa gcse 9 1 chemistry student book revise gcse the essentials of gcse ocr science for specification b

aqa c2 ch2hp may 2013 markscheme secure4 khronos - May 17 2023

any mark scheme for aqa gcse add science chemistry c2 for 20 may 2013 to aqa june 2013 unit 1 unofficial mark scheme on the student room chemistry unit chemistry c2 thursday 15 may 2014 9 00 am to the mark scheme was designed to allow students to gain marks aqa is not responsible for the

aqa subjects science - Apr 16 2023

biology paper 1 past papers gcse chemistry 8462 next exam 17 may 2024 chemistry paper 1 past papers gcse physics 8463 next exam 22 may 2024 physics paper 1 past papers gcse combined science synergy 8465 next exam 10 may 2024 combined science synergy paper 1 past papers gcse combined science trilogy 8464

may 2013 aqa science c2 pdf pdf signups myamcat - Sep 09 2022

may 2013 aqa science c2 pdf introduction may 2013 aqa science c2 pdf pdf edexcel gcse computer science student book ann weidmann 2016 05 31 supporting great computer science teaching through a scenario based approach to problem solving and computational thinking our resources are designed to inspire and motivate students by relating and

may 2013 aqa science c2 whichissed visionaustralia org - Jul 07 2022

may 2013 aqa science c2 edexcel mathematics past papers past papers gcse subjects livemaths a level maths ib maths scottish read gcse maths mark schemes aqa june 2017 siloo com oriel high school science aqa c2 powerpoint and worksheets by farhadchikhalia aqa gcse chemistry papers

may 2013 aqa science c2 georgiacollegesurvey gcsu edu - Aug 08 2022

now is may 2013 aqa science c2 below may 2013 aqa science c2 downloaded from georgiacollegesurvey gcsu edu by guest laylah jefferson problems and solutions on quantum mechanics cambridge university press with clear and concise revision notes that cover everything you ll need to know for the exam this effective ocr gcse science revision guide

c2 may 2013 pdf test assessment teaching mathematics - Nov 11 2022

c2 may 2013 free download as pdf file pdf text file txt or read online for free edexcel 6664 mathmatics c2 as june 2013 edexcel 6664 mathmatics c2 as june 2013 open navigation menu close suggestions search search en change language close menu language science mathematics history study aids test prep business small

2013 c2 chemistry 10 pdf files past papers archive - Aug 20 2023

past papers archive 2013 c2 chemistry in our archive section you can find links to various websites that have old past papers in the pdf format enter the search term in the box below and click the search archive button here are 10results for 2013 c2 chemistry

additional science ch2fp f physics maths tutor - Jun 06 2022

january 2013 additional science ch2fp unit chemistry c2 chemistry unit chemistry c2 thursday 24 january 2013 9 00 am to 10 00 am for this paper you must have the chemistry data sheet enclosed you may use a calculator time allowed 1 hour instructions use black ink or black ball point pen fill in the boxes at the top of this page

aqa c2 may 13th 2013 q3 youtube - Apr 04 2022

these are my own answers for question 3 of the aqa c2 maths exam on may 13th where i have awarded marks are not from the official mark scheme just my predic

additional science ch2fp f access tuition - Dec 12 2022

june 2013 additional science ch2fp unit chemistry c2 chemistry unit chemistry c2 monday 20 may 2013 1 30 pm to 2 30 pm for this paper you must have the chemistry data sheet enclosed you may use a calculator time allowed 1 hour instructions use black ink or black ball point pen fill in the boxes at the top of this page

aqa find past papers and mark schemes - Sep 21 2023

find out when we publish question papers and mark schemes on our website search past paper question banks and easily create custom material for teaching homework and assessment find past papers and mark schemes for aqa exams and specimen papers for new courses

may 2013 aqa science c2 secure4 khronos - Mar 03 2022

jun 9 2023 obtain tutorial may 2013 aqa science c2 plainly put the may 2013 aqa science c2 is commonly harmonious with any devices to download aqa c2 powerpoint and worksheets by farhadchikhalia aqa gcse chemistry papers past papers gcse papers as the pixl club home oriel high school science aqa c2 catalysts and rate of reaction by

aqa unit chemistry c2 monday 20th may 2013 mark - Jul 19 2023

jun 3 2013 aqa unit chemistry c2 monday 20th may 2013 mark scheme watch this thread 9 years ago aqa unit chemistry c2 monday 20th may 2013 mark scheme adamlfc is there a mark scheme for this paper as i doing revision and want me to check my answer too see if i am on the right lines thank you adam reply 1 9 years ago

revision notes and exam style questions for aqa c2 - Jan 13 2023

a levels sciences advice economics notes gcse preparation and online resources for it a level literature hamlet how can i do well in alevels alev biology exam questions how to revise a gcse in one day transition metals would anyone like any help with a level history aqa tudors and germany i got an a

unit c2 f aqa chemistry gcse physics maths tutor - Feb 14 2023

general certificate of secondary education june 2013 additional science chemistry specification 4408 4402 unit 2 chemistry 2 final ch2fp mark scheme relevant questions by a panel of subject teachers this mark scheme includes any scheme which was used by them in this examination

additional science ch2hp h physics maths tutor - Jun 18 2023

june 2013 additional science ch2hp unit chemistry c2 chemistry unit chemistry c2 monday 20 may 2013 1 30 pm to 2 30 pm for this paper you must have the chemistry data sheet enclosed you may use a calculator time allowed 1 hour instructions use black ink or black ball point pen fill in the boxes at the top of this page

aqa chemistry c2 may 2013 mark scheme 2023 - Feb 02 2022

aqa chemistry c2 may 2013 mark scheme downloaded from eagldemo2 eagltechnology com by guest tristian jayce cumulated index medicus crc press environmental chemistry is a relatively young science interest in this subject however is growing very rapidly and although no agreement has been reached as yet about the exact content and

aqa subjects science gcse - Mar 15 2023

biology paper 1 past papers gcse chemistry 8462 next exam 17 may 2024 chemistry paper 1 past papers gcse physics 8463

next exam 22 may 2024 physics paper 1 past papers gcse combined science synergy 8465 next exam 10 may 2024 combined science synergy paper 1 past papers gcse combined science trilogy 8464