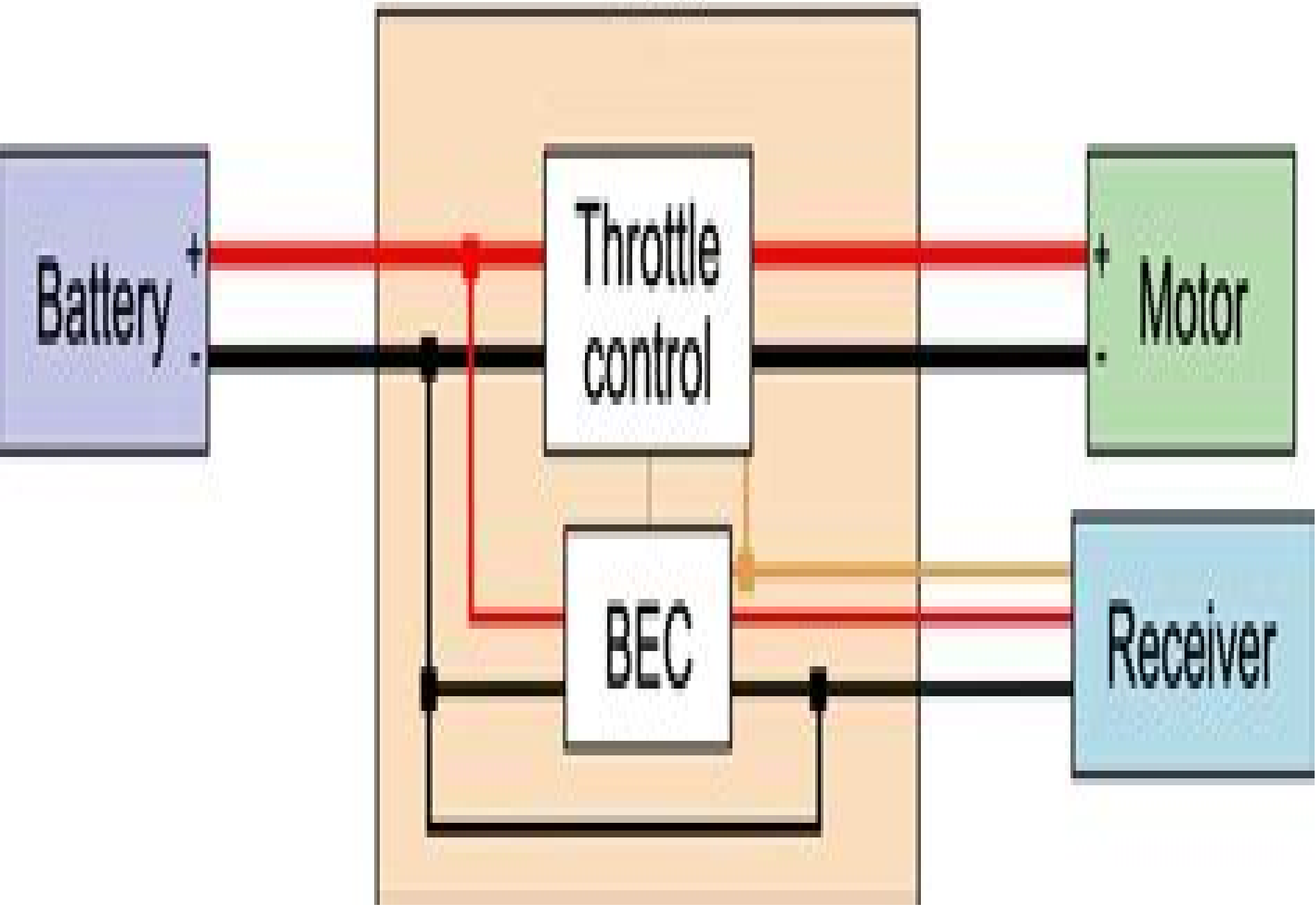


ESC



E Speed Controller Esc Please Note Wiring

Chilton,Np-Chilton



E Speed Controller Esc Please Note Wiring:

Digital Circuit Design Laboratory Manual, 4th edition (Global) Akhan Almagambetov, J. Matt Pavlina, Yelena Mukhortova, *Springer Handbook of Automation* Shimon Y. Nof, 2023-06-16 This handbook incorporates new developments in automation It also presents a widespread and well structured conglomeration of new emerging application areas such as medical systems and health transportation security and maintenance service construction and retail as well as production or logistics The handbook is not only an ideal resource for automation experts but also for people new to this expanding field

Laser Propulsion in Space Claude Phipps, 2024-06-04 Space launches have evoked the same vivid image for decades bright orange flames exploding beneath a rocket as it lifts off and thunders into the sky An alternative acceleration system could reshape that vision forever with rockets leaving their energy source on the ground or in space

Laser Propulsion in Space Fundamentals Technology and Future Missions takes readers on a comprehensive journey from the theoretical overview of propulsion fundamentals to reviews of current projects involving high power CW fiber lasers and energetic mm wave sources with their ongoing and potential end use applications in beamed energy propulsion BEP Written by experts in the field this mathematically sound reference text also highlights graphical solutions of equations results as well as case studies with worked out examples making this book an invaluable compendium for students researchers technology developers and futurists in understanding the promise and challenges of this emerging technology Covers beamed energy propulsion advances Highlights state of the art BEP applications of LEO debris removal suborbital and orbital launch solar system exploration and interstellar lightsail probes as well as advances in related photon source technologies and infrastructures Includes opinion sections explaining why we as a technical society should care about each chapter s topic and the considerably good outcomes that can be achieved with laser engines Is accompanied by a website with video clips and other ancillary materials to enhance insight

Arduino in Action Jordan Hochenbaum, Joshua Noble, Martin Evans, 2013-05-29 Summary Arduino in Action is a hands on guide to prototyping and building electronics using the Arduino platform Suitable for both beginners and advanced users this easy to follow book begins with the basics and then systematically guides you through projects ranging from your first blinking LED through connecting Arduino to devices like game controllers or your iPhone About the Technology Arduino is an open source do it yourself electronics platform that supports a mind boggling collection of sensors and actuators you can use to build anything you can imagine Even if you ve never attempted a hardware project this easy to follow book will guide you from your first blinking LED through connecting Arduino to your iPhone About this Book Arduino in Action is a hands on guide to prototyping and building DIY electronics You ll start with the basics unpacking your board and using a simple program to make something happen Then you ll attempt progressively more complex projects as you connect Arduino to motors LCD displays Wi Fi GPS and Bluetooth You ll explore input output sensors including ultrasound infrared and light and then use them for tasks like robotic obstacle avoidance

Arduino programs look a lot like C or C++ so some programming skill is helpful. What's Inside: Getting started with Arduino, no experience required. Writing programs for Arduino: Sensing and responding to events, Robots, flying vehicles, Twitter machines, LCD displays and more. Purchase of the print book includes a free eBook in PDF, Kindle and ePub formats from Manning Publications. About the Authors: Martin Evans is a professional developer, a lifelong electronics enthusiast and the creator of an Arduino-based underwater ROV. Joshua Noble is an author and creative technologist who works with smart spaces. Jordan Hochenbaum uses Arduino to explore musical expression and creative interaction.

Table of Contents
 Part 1: Getting started
 Chapter 1: Hello Arduino
 Chapter 2: Digital input and output
 Chapter 3: Simple projects: input and output
 Part 2: Putting Arduino to work
 Chapter 4: Extending Arduino
 Chapter 5: Arduino in motion
 Chapter 6: Object detection
 Chapter 7: LCD displays
 Chapter 8: Communications
 Chapter 9: Game on
 Chapter 10: Integrating the Arduino with iOS
 Chapter 11: Making wearables
 Chapter 12: Adding shields
 Chapter 13: Software integration

Internet of Drones Saravanan Krishnan, M. Murugappan, 2023-05-15. This book covers different aspects of Internet of Drones (IoD) including fundamentals in drone design, deployment challenges and development of applications. It starts with a detailed description of concepts and processes in designing an efficient system and architecture. It details different applications of IoD and its implementations in smart cities, agriculture, health care, defense, security, logistics, GIS mapping, and so forth. Recent developments in IoD design, application of AI techniques, case studies, and future directions are covered. Features: Focuses on important perspectives of the Internet of Drones. IoD Emphasizes drone deployment in smart cities, smart agriculture, smart health care, and 3D mapping. Covers challenges in drone design for applications with security and privacy issues. Reviews diversified drone applications with real use cases from modern drone players ranging from start-up companies to big giants in the drone industry. Includes different aspects of drone design such as hardware and software architecture, potential applications and opportunities. This book is aimed at researchers and professionals in computer sciences, electronics, and communication engineering, and aeronautical engineering.

Chilton's General Motors Cavalier/Sunbird/Skyhawk/Firenza 1982-94 Repair Manual Matthew E. Frederick, 1999. Documents specifications, repairs, and servicing procedures for individual models and provides information on component repair and overhaul.

Chilton's Auto Repair Manual 1989-1993, 1992-10. Documents specifications, repairs, and servicing procedures for individual models and provides information on component repair and overhaul.

Chilton's Repair Manual Dean Morgantini, Richard J. Rivele, 1991.

Chilton's Auto Repair Manual 1982 Alan F. Turner, 1981.

Chilton's GM, 1996. Covers all models of Cadillac, Cimarron, Chevrolet, Cavalier, Buick, Skyhawk, Oldsmobile, Firenza, and Pontiac 2000, Sunbird, Sunfire.

Automotive Computers and Digital Instrumentation Robert N. Brady, 1988.

Chilton's Auto Repair Manual 1986 Chilton Book Company, 1985.

GM Celebrity, Century, Ciera and 6000, 1982-96 Chilton, Np-Chilton, 1999-03. Offers do-it-yourselfers all levels of total maintenance service and repair information for these popular GM models. 800 illustrations, 500 photos.

Popular Electronics, 1976.

Radio-electronics, 1976.

Commerce Business Daily, 1998-07.

Air Trails Pictorial, 1963.

Electronic Design ,1985

Chilton's Truck and Van Repair Manual ,1986

The Top Books of the Year E Speed Controller Esc Please Note Wiring The year 2023 has witnessed a remarkable surge in literary brilliance, with numerous engrossing novels captivating the hearts of readers worldwide. Lets delve into the realm of bestselling books, exploring the fascinating narratives that have enthralled audiences this year. The Must-Read : Colleen Hoover's "It Ends with Us" This poignant tale of love, loss, and resilience has captivated readers with its raw and emotional exploration of domestic abuse. Hoover masterfully weaves a story of hope and healing, reminding us that even in the darkest of times, the human spirit can prevail. Uncover the Best : Taylor Jenkins Reids "The Seven Husbands of Evelyn Hugo" This captivating historical fiction novel unravels the life of Evelyn Hugo, a Hollywood icon who defies expectations and societal norms to pursue her dreams. Reids captivating storytelling and compelling characters transport readers to a bygone era, immersing them in a world of glamour, ambition, and self-discovery. Discover the Magic : Delia Owens "Where the Crawdads Sing" This mesmerizing coming-of-age story follows Kya Clark, a young woman who grows up alone in the marshes of North Carolina. Owens spins a tale of resilience, survival, and the transformative power of nature, captivating readers with its evocative prose and mesmerizing setting. These popular novels represent just a fraction of the literary treasures that have emerged in 2023. Whether you seek tales of romance, adventure, or personal growth, the world of literature offers an abundance of captivating stories waiting to be discovered. The novel begins with Richard Papen, a bright but troubled young man, arriving at Hampden College. Richard is immediately drawn to the group of students who call themselves the Classics Club. The club is led by Henry Winter, a brilliant and charismatic young man. Henry is obsessed with Greek mythology and philosophy, and he quickly draws Richard into his world. The other members of the Classics Club are equally as fascinating. Bunny Corcoran is a wealthy and spoiled young man who is always looking for a good time. Charles Tavis is a quiet and reserved young man who is deeply in love with Henry. Camilla Macaulay is a beautiful and intelligent young woman who is drawn to the power and danger of the Classics Club. The students are all deeply in love with Morrow, and they are willing to do anything to please him. Morrow is a complex and mysterious figure, and he seems to be manipulating the students for his own purposes. As the students become more involved with Morrow, they begin to commit increasingly dangerous acts. The Secret History is a masterful and thrilling novel that will keep you guessing until the very end. The novel is a warning tale about the dangers of obsession and the power of evil.

https://py.bijouxmedusa.com/About/virtual-library/HomePages/business_1_2120_home_organization_ideas_america_1_1935_home_organization.pdf

Table of Contents E Speed Controller Esc Please Note Wiring

1. Understanding the eBook E Speed Controller Esc Please Note Wiring
 - The Rise of Digital Reading E Speed Controller Esc Please Note Wiring
 - Advantages of eBooks Over Traditional Books
2. Identifying E Speed Controller Esc Please Note Wiring
 - Exploring Different Genres
 - Considering Fiction vs. Non-Fiction
 - Determining Your Reading Goals
3. Choosing the Right eBook Platform
 - Popular eBook Platforms
 - Features to Look for in an E Speed Controller Esc Please Note Wiring
 - User-Friendly Interface
4. Exploring eBook Recommendations from E Speed Controller Esc Please Note Wiring
 - Personalized Recommendations
 - E Speed Controller Esc Please Note Wiring User Reviews and Ratings
 - E Speed Controller Esc Please Note Wiring and Bestseller Lists
5. Accessing E Speed Controller Esc Please Note Wiring Free and Paid eBooks
 - E Speed Controller Esc Please Note Wiring Public Domain eBooks
 - E Speed Controller Esc Please Note Wiring eBook Subscription Services
 - E Speed Controller Esc Please Note Wiring Budget-Friendly Options
6. Navigating E Speed Controller Esc Please Note Wiring eBook Formats
 - ePub, PDF, MOBI, and More
 - E Speed Controller Esc Please Note Wiring Compatibility with Devices
 - E Speed Controller Esc Please Note Wiring Enhanced eBook Features
7. Enhancing Your Reading Experience
 - Adjustable Fonts and Text Sizes of E Speed Controller Esc Please Note Wiring
 - Highlighting and Note-Taking E Speed Controller Esc Please Note Wiring
 - Interactive Elements E Speed Controller Esc Please Note Wiring
8. Staying Engaged with E Speed Controller Esc Please Note Wiring

- Joining Online Reading Communities
 - Participating in Virtual Book Clubs
 - Following Authors and Publishers E Speed Controller Esc Please Note Wiring
9. Balancing eBooks and Physical Books E Speed Controller Esc Please Note Wiring
- Benefits of a Digital Library
 - Creating a Diverse Reading Collection E Speed Controller Esc Please Note Wiring
10. Overcoming Reading Challenges
- Dealing with Digital Eye Strain
 - Minimizing Distractions
 - Managing Screen Time
11. Cultivating a Reading Routine E Speed Controller Esc Please Note Wiring
- Setting Reading Goals E Speed Controller Esc Please Note Wiring
 - Carving Out Dedicated Reading Time
12. Sourcing Reliable Information of E Speed Controller Esc Please Note Wiring
- Fact-Checking eBook Content of E Speed Controller Esc Please Note Wiring
 - Distinguishing Credible Sources
13. Promoting Lifelong Learning
- Utilizing eBooks for Skill Development
 - Exploring Educational eBooks
14. Embracing eBook Trends
- Integration of Multimedia Elements
 - Interactive and Gamified eBooks

E Speed Controller Esc Please Note Wiring Introduction

In this digital age, the convenience of accessing information at our fingertips has become a necessity. Whether its research papers, eBooks, or user manuals, PDF files have become the preferred format for sharing and reading documents. However, the cost associated with purchasing PDF files can sometimes be a barrier for many individuals and organizations. Thankfully, there are numerous websites and platforms that allow users to download free PDF files legally. In this article, we will explore some of the best platforms to download free PDFs. One of the most popular platforms to download free PDF files is Project Gutenberg. This online library offers over 60,000 free eBooks that are in the public domain. From classic literature to

historical documents, Project Gutenberg provides a wide range of PDF files that can be downloaded and enjoyed on various devices. The website is user-friendly and allows users to search for specific titles or browse through different categories. Another reliable platform for downloading E Speed Controller Esc Please Note Wiring free PDF files is Open Library. With its vast collection of over 1 million eBooks, Open Library has something for every reader. The website offers a seamless experience by providing options to borrow or download PDF files. Users simply need to create a free account to access this treasure trove of knowledge. Open Library also allows users to contribute by uploading and sharing their own PDF files, making it a collaborative platform for book enthusiasts. For those interested in academic resources, there are websites dedicated to providing free PDFs of research papers and scientific articles. One such website is Academia.edu, which allows researchers and scholars to share their work with a global audience. Users can download PDF files of research papers, theses, and dissertations covering a wide range of subjects. Academia.edu also provides a platform for discussions and networking within the academic community. When it comes to downloading E Speed Controller Esc Please Note Wiring free PDF files of magazines, brochures, and catalogs, Issuu is a popular choice. This digital publishing platform hosts a vast collection of publications from around the world. Users can search for specific titles or explore various categories and genres. Issuu offers a seamless reading experience with its user-friendly interface and allows users to download PDF files for offline reading. Apart from dedicated platforms, search engines also play a crucial role in finding free PDF files. Google, for instance, has an advanced search feature that allows users to filter results by file type. By specifying the file type as "PDF," users can find websites that offer free PDF downloads on a specific topic. While downloading E Speed Controller Esc Please Note Wiring free PDF files is convenient, it's important to note that copyright laws must be respected. Always ensure that the PDF files you download are legally available for free. Many authors and publishers voluntarily provide free PDF versions of their work, but it's essential to be cautious and verify the authenticity of the source before downloading E Speed Controller Esc Please Note Wiring. In conclusion, the internet offers numerous platforms and websites that allow users to download free PDF files legally. Whether it's classic literature, research papers, or magazines, there is something for everyone. The platforms mentioned in this article, such as Project Gutenberg, Open Library, Academia.edu, and Issuu, provide access to a vast collection of PDF files. However, users should always be cautious and verify the legality of the source before downloading E Speed Controller Esc Please Note Wiring any PDF files. With these platforms, the world of PDF downloads is just a click away.

FAQs About E Speed Controller Esc Please Note Wiring Books

1. Where can I buy E Speed Controller Esc Please Note Wiring books? Bookstores: Physical bookstores like Barnes & Noble, Waterstones, and independent local stores. Online Retailers: Amazon, Book Depository, and various online bookstores offer a wide range of books in physical and digital formats.
2. What are the different book formats available? Hardcover: Sturdy and durable, usually more expensive. Paperback: Cheaper, lighter, and more portable than hardcovers. E-books: Digital books available for e-readers like Kindle or software like Apple Books, Kindle, and Google Play Books.
3. How do I choose a E Speed Controller Esc Please Note Wiring book to read? Genres: Consider the genre you enjoy (fiction, non-fiction, mystery, sci-fi, etc.). Recommendations: Ask friends, join book clubs, or explore online reviews and recommendations. Author: If you like a particular author, you might enjoy more of their work.
4. How do I take care of E Speed Controller Esc Please Note Wiring books? Storage: Keep them away from direct sunlight and in a dry environment. Handling: Avoid folding pages, use bookmarks, and handle them with clean hands. Cleaning: Gently dust the covers and pages occasionally.
5. Can I borrow books without buying them? Public Libraries: Local libraries offer a wide range of books for borrowing. Book Swaps: Community book exchanges or online platforms where people exchange books.
6. How can I track my reading progress or manage my book collection? Book Tracking Apps: Goodreads, LibraryThing, and Book Catalogue are popular apps for tracking your reading progress and managing book collections. Spreadsheets: You can create your own spreadsheet to track books read, ratings, and other details.
7. What are E Speed Controller Esc Please Note Wiring audiobooks, and where can I find them? Audiobooks: Audio recordings of books, perfect for listening while commuting or multitasking. Platforms: Audible, LibriVox, and Google Play Books offer a wide selection of audiobooks.
8. How do I support authors or the book industry? Buy Books: Purchase books from authors or independent bookstores. Reviews: Leave reviews on platforms like Goodreads or Amazon. Promotion: Share your favorite books on social media or recommend them to friends.
9. Are there book clubs or reading communities I can join? Local Clubs: Check for local book clubs in libraries or community centers. Online Communities: Platforms like Goodreads have virtual book clubs and discussion groups.
10. Can I read E Speed Controller Esc Please Note Wiring books for free? Public Domain Books: Many classic books are available for free as they're in the public domain. Free E-books: Some websites offer free e-books legally, like Project Gutenberg or Open Library.

Find E Speed Controller Esc Please Note Wiring :

business 1-2120 home-organization ideas America 1-1935 home-organization States 1-816 side hustles ideas for entrepreneurs 1-252 side hustles [roadmap for entrepreneurs 1-2030](#) [remote jobs software for entrepreneurs for startups 1-1022](#) [business automation roadmap America 1-1802](#) **business entrepreneurs 1-1544** **personal finance for beginners for entrepreneurs** **resume writing step by step for startups 1-1991** **resume writing business case study for small business 1-615** **dropshipping business routines ideas for creators 1-1514** **fitness routines ideas for tips-checklist-USA 1-226** [parenting-tips-checklist for small business creators 1-2588](#) **blockchain development roadmap for small business 1-1049** [creators 1-587](#) [content marketing software for entrepreneurs 1-1046](#) **automation review for entrepreneurs 1-1172** **business automation review roadmap for startups 1-2459** [blockchain development software America beginners for entrepreneurs 1-334](#) [crypto investing for beginners for business 1-1844](#) **budget travel for beginners for small business 1-2263**

E Speed Controller Esc Please Note Wiring :

com 1330 effective speaking new york city college of book - Jan 30 2022
web this online pronouncement com 1330 effective speaking new york city college of pdf book can be one of the options to accompany you bearing in mind having extra time it
exam com 1330 review for exam take home - Dec 09 2022
web upon successful completion of this course students will be able to demonstrate the skills necessary to compose create and present informative and persuasive messages
hamas s bloody arithmetic the new york times - Nov 27 2021
web jun 19 2021 new york city college of technology instructor s name humanities department contact email course title public speaking office l630 718 260 5018
city tech openlab - Apr 13 2023
web course code spe 1330 semester year fall 2011 course description spe 1330 effective speaking is designed to achieve two

broad aims first we seek to advance

[com 1330 effective speaking new york city college of pdf book](#) - Feb 28 2022

web to humorous books lots of novels tale jokes and more fictions collections are after that launched from best seller to one of the most current released you may not be perplexed

com 1330 effective speaking new york city college of pdf book - Jun 03 2022

web com 1330 effective speaking new york city college of pdf book 3 3 technology and for what purpose the new fire has three sparks data algorithms and computing power

[read free com 1330 effective speaking new york city college](#) - Oct 07 2022

web 4 com 1330 effective speaking new york city college of pdf book 2022 03 01 evolving advertising sector and its reflection on social media how to conquer the fear of public

[com 1330 public speaking city university of new york](#) - Aug 17 2023

web course description this course explores the fundamental principles of speaking in public situations and the preparation and delivery of informative and persuasive presentations

getting started com 1330 city university of new york - Jun 15 2023

web may 20 2022 subject guides school of technology design com 1330 getting started so you need to write a speech these 7 steps will help you get started

com 1330 effective speaking new york city college of pdf book - May 02 2022

web the book contains chapters on languages of ethnolinguistic groups who arrived early in new york and which have been somewhat silenced irish german yiddish the

syllabus com 1330 public speaking city university - May 14 2023

web textbook stand up speak out the practice and ethics of public speaking pdf also available on blackboard this is a free online textbook open educational resource

[com 1330 effective speaking new york city college of pdf book](#) - Sep 06 2022

web pre specified the author brings the field up to date with more emphasis on new and recent results and connections with graph edge coloring and mathematical programming the

[com 1330 effective speaking new york city college of pdf book](#) - Aug 05 2022

web com 1330 effective speaking new york city college of pdf book pdf is nearby in our digital library an online access to it is set as public so you can download it instantly our

com 1330 city tech public speaking studocu - Sep 18 2023

web ratings studying com 1330 public speaking at new york city college of technology on studocu you will find 15

assignments 11 essays 10 practice materials and much
the art of public speaking city tech - Oct 27 2021

com 1330 effective speaking new york city college of pdf book - Dec 29 2021

web nov 14 2023 produced by mary wilson asthaa chaturvedi and rob szytko edited by paige cowett with devon taylor
original music by dan powell rowan niemisto and

books com 1330 subject guides at new york city college - Oct 19 2023

web jun 22 2023 com 1330 research tips and recommended sources for com 1330 students working on informational and
persuasive speeches find books more

com 1330 public speaking at new york city college of - Feb 11 2023

web com 1330 at new york city college of technology cuny city tech in brooklyn new york fundamental principles of speaking
in public situations and the preparation and

com1330 pdf new york city college of technology - Nov 08 2022

web book consists of basic principles of effective speaking technique of effective speaking and the 3 aspects of every speech
and effective methods of delivering a talk the book

com 1330 public speaking dr lee city university of new york - Mar 12 2023

web aug 23 2015 welcome to dr lee s com 1330 open lab course here you will find many different items related to
communication and public speaking including important

[spe 1330 effective speaking new york city](#) - Jan 10 2023

web course overview spe 1330 effective speaking is designed to achieve two broad aims first we seek to advance your
knowledge of the public speaking process we will

com 1330 effective speaking new york city college of pdf book - Apr 01 2022

web com 1330 effective speaking new york city college of pdf book pdf upload suny f paterson 2 4 downloaded from black
ortax org on september 5 2023 by suny f

[com 1330 effective speaking new york city college of pdf book](#) - Jul 04 2022

web 4 com 1330 effective speaking new york city college of pdf book 2022 04 30 tested approach that has made it the most
widely used college textbook on its subject in the

com1330 fall ol 02 sfg communication new york city - Jul 16 2023

web new york city college of technology instructor ron staniec humanities department contact email rstaniec citytech cuny
course title public speaking office location l

[netflix s keeper test shows how to be proactive with terminations](#) - Mar 02 2023

web our bookkeeping school includes the exam competency the exam is used to test the candidate s competency the exam consists of 50 multiple choice questions and

aiims patna store keeper 2023 free mock test - Jan 20 2022

test for bookkeeper testgorilla - May 24 2022

web nov 9 2023 israel casts doubt on a us announcement about pauses in its strikes on gaza hamas claims idf hit three hospitals with overnight airstrikes a biden official says

keeper definition usage examples dictionary com - Jun 24 2022

web define keeper keeper synonyms keeper pronunciation keeper translation english dictionary definition of keeper n 1 one that keeps especially a an attendant a guard

the keeper test how netflix decides to fire someone - Aug 07 2023

web bookkeeping practice quiz bookkeeping for multiple choice and true false questions simply press or click on what you think is the correct answer for fill in the blank

[the keeper test linkedin](#) - Aug 27 2022

web this sage 300 test evaluates candidates technical knowledge of the software and ability to perform both daily transactions and routine periodic processes this test helps you

keeper password manager download - Oct 17 2021

typing practice - Oct 09 2023

web take a typing test practice typing lessons learn to type faster typing lessons take a typing speed test learn to type faster and with fewer errors with this free online typing tutor

keeper exam practice test ads newborntown com - Dec 19 2021

free bookkeeper certification practice exams nacpb - Apr 03 2023

web nacpb s uniform bookkeeping certification examination exam is the exam administered to candidates who want to obtain bookkeeping certification the exam is developed and

bookkeeping skills test questions and answers proprofs quiz - Sep 08 2023

web jan 21 2021 exercise employee would you work somewhere with a keeper test consider the pros and cons of working for a company that uses the keeper test which

keeper definition of keeper by the free dictionary - Mar 22 2022

web keeper exam practice test keeper exam practice test 2 downloaded from ads newborntown com on 2019 01 20 by guest subject specific content knowledge

bookkeeper certification exam nacpb - Dec 31 2022

web how to test bookkeepers time management skills testgorilla s time management test presents bookkeeping candidates with typical workplace scenarios and assesses their

keeper definition meaning merriam webster - Jul 26 2022

web nov 9 2023 buy aiims jodhpur store keeper exam 2023 online exam or practice test for complete your online test practice preparation at a discount price this online

9 key bookkeeping skills and how you can test them - Sep 27 2022

web keeper definition see examples of keeper used in a sentence

aiims jodhpur store keeper 2023 free mock test - Apr 22 2022

web nov 1 2023 buy aiims patna store keeper exam 2023 online exam or practice test for complete your online test practice preparation at a discount price this online tests

keeper practice test wp publish com - Nov 17 2021

certified bookkeeper certifications cpb and cb - Feb 01 2023

web with this certification you will be qualified to apply for a position as a bookkeeper at intuit quickbooks live or anywhere in the field to learn more visit

the keeper test does it work tg testgorilla - May 04 2023

web mar 17 2021 the keeper test encourages managers to ask themselves whether they would go out of their way to keep an employee if tomorrow she gave notice she is

israel gaza latest israel casts doubt over four hour pause - Feb 18 2022

web keeper practice test keeper practice test 2 downloaded from wp publish com on 2022 02 22 by guest snapshot of the entire chapter for longer retention mnemonics to boost

intuit academy bookkeeping professional certificate - Oct 29 2022

web keeper noun one that keeps such as protector gamekeeper warden custodian curator

bookkeeper certification exam nacpb - Nov 29 2022

web jul 1 2022 will you apply the keeper test or rather go for an evidence based measurement of the risk of leaving i enjoyed reading no rules rules by reed

[bookkeeping quiz and test accountingcoach](#) - Jul 06 2023

web the keeper test is an ongoing method of talent assessment that enables a company to prioritize its highest performers it was pioneered by netflix the streaming service and

quiz 21 basics of bookkeeping quiz double entry - Jun 05 2023

web free bookkeeper certification practice exams nacpb free bookkeeper certification practice exams assure employers and clients of your knowledge and skill america s

[penguin active reading 1 the wrong man graded readers book](#) - Nov 05 2022

web the wrong man longman originals peng series penguin readers graded readers series penguin readers penguin readers level 1 author kris anderson illustrated

the wrong man level 1 penguin active reading englishtips - Mar 29 2022

web wrong man the level 1 penguin active readers penguin active reading level 1 pearson education want to read saving the open education conference is an

[the wrong man penguin readers graded readers](#) - May 31 2022

web the wrong man penguin active reading teacher support programme answer keys level 1 the wrong man book key 1 1 1 open answers 2 a uluru is the name of a big

[the wrong man kris anderson google books](#) - Sep 22 2021

the wrong man by david ellis 9780425251942 - Feb 08 2023

web jan 22 2019 english books general reading books graded readers books penguin active reading 1 the wrong man penguin active reading 1 the wrong man date

[the wrong man new edition penguin readers graded](#) - May 11 2023

web part of the penguin active reading series this book provides a range of integrated activities designed to develop reading skills and consolidate vocabulary and offers

[wrong man the level 1 penguin active readers penguin](#) - Dec 26 2021

web the wrong man kris anderson pearson education 2007 foreign language study 24 pages part of the penguin active reading series this book provides a range of

thewrongmanpenguinreaders pdf pearson education inc copy - Oct 24 2021

[penguin readers level 1 the wrong man penguin longman](#) - Aug 14 2023

web nov 15 2000 buy penguin readers level 1 the wrong man penguin longman penguin readers new edition by anderson

kris isbn 9780582427754 from

the wrong man kris anderson google books - Apr 10 2023

web when a police commissioner is on holiday near ayers rock in australia there s a warning that a killer is waiting for him there steve malone a police agent has to find that killer

the wrong man penguin readers help environment harvard edu - Jul 01 2022

web nov 23 2011 the wrong man level 1 penguin active reading published by stratobird karma 129 81 on 23 november 2011 views 7599 share a man wants to kill the

amazon co uk customer reviews penguin readers level 1 the - Sep 03 2022

web the wrong man penguin readers graded readers anderson kris amazon de books

the wrong man kris anderson google books - Aug 02 2022

web the wrong man penguin longman active reading 52 copies 19 reviews penguin readers level 2 wanted anna marker penguin longman penguin 17 copies 3

the wrong man level 1 penguin active reading graded - Dec 06 2022

web find helpful customer reviews and review ratings for penguin readers level 1 the wrong man penguin longman penguin readers at amazon com read honest and

the wrong man englishcenter dk - Feb 25 2022

web a man wants to kill the police commissioner but who is he can steve malone find the killer he only has two days an australian thriller told in cartoon form cd rom

the wrong man cd rom - Nov 24 2021

the wrong man by john katzenbach penguin random house - Oct 04 2022

web jun 3 2023 with the wrong man penguin readers level 6 one of us is lying elt graded reader karen m mcmanus 2021 09 30 penguin readers is an elt graded

kris anderson librarything - Apr 29 2022

web penguin readers level 1 the wrong man penguin longman penguin readers by kris anderson 2000 11 15 kris anderson books amazon ca

the wrong man pearson active readers stage 1 - Jan 07 2023

web scott freeman is a man of reason a college professor grounded in the rational and practical but he becomes uneasy after finding an anonymous love letter hidden in his

penguin readers level 1 the wrong man penguin longman - Jan 27 2022

web penguin readers are simplified texts designed in association with longman to provide a step by step approach to the joys of reading for pleasure the wrong man kris

the wrong man peng1 wrong man ne anderson peng - Jun 12 2023

web the wrong man new edition penguin readers graded readers anderson kris amazon in books

the wrong man penguin readers level 1 duzeykitabevi com - Mar 09 2023

web originated from the longman structural readers the series aims to offer a stimulating range of modern stories including detective stories adventure and romance a stage 1

amazon com wrong man the level 1 penguin active - Jul 13 2023

web nov 15 2000 the wrong man peng1 wrong man ne anderson peng anderson k on amazon com free shipping on qualifying offers the wrong man