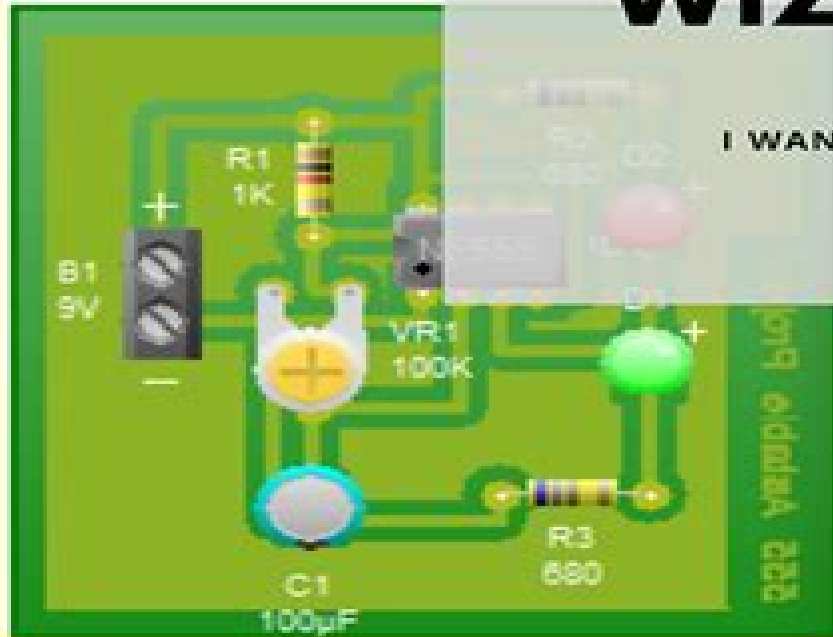
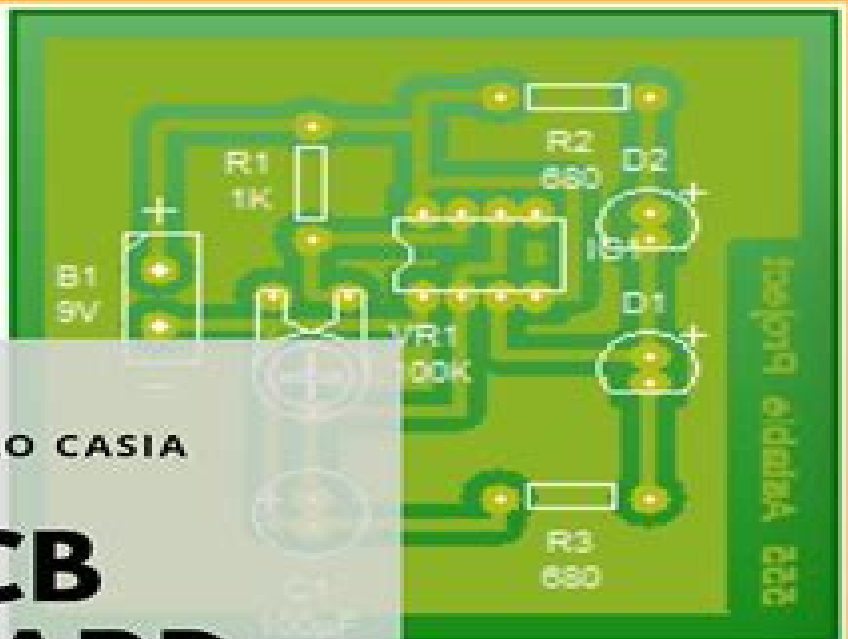
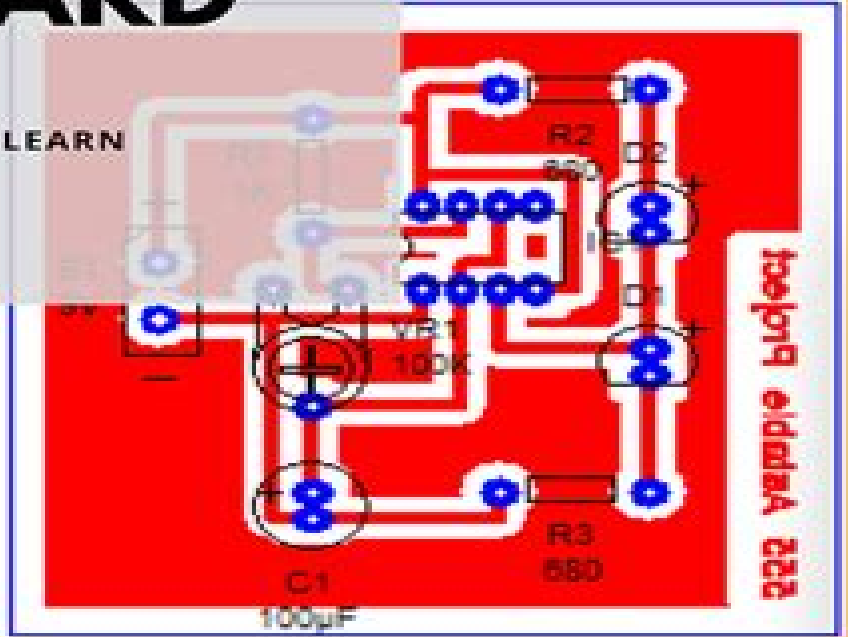


BY DANILLO CASIA

# PCB WIZARD



I WANT LEARN



# Pcb Wizard Tutorial 1

**A B Lawal**



## **Pcb Wizard Tutorial 1:**

**Complete PCB Design Using OrCad Capture and Layout** Kraig Mitzner, 2011-04-01 Complete PCB Design Using OrCad Capture and Layout provides instruction on how to use the OrCAD design suite to design and manufacture printed circuit boards The book is written for both students and practicing engineers who need a quick tutorial on how to use the software and who need in depth knowledge of the capabilities and limitations of the software package There are two goals the book aims to reach The primary goal is to show the reader how to design a PCB using OrCAD Capture and OrCAD Layout Capture is used to build the schematic diagram of the circuit and Layout is used to design the circuit board so that it can be manufactured The secondary goal is to show the reader how to add PSpice simulation capabilities to the design and how to develop custom schematic parts footprints and PSpice models Often times separate designs are produced for documentation simulation and board fabrication This book shows how to perform all three functions from the same schematic design This approach saves time and money and ensures continuity between the design and the manufactured product Information is presented in the exact order a circuit and PCB are designed Straightforward realistic examples present the how and why the designs work providing a comprehensive toolset for understanding the OrCAD software Introduction to the IPC JEDEC and IEEE standards relating to PCB design Full color interior and extensive illustrations allow readers to learn features of the product in the most realistic manner possible Complete PCB Design Using OrCAD Capture and PCB Editor Kraig

Mitzner, 2009-05-28 This book provides instruction on how to use the OrCAD design suite to design and manufacture printed circuit boards The primary goal is to show the reader how to design a PCB using OrCAD Capture and OrCAD Editor Capture is used to build the schematic diagram of the circuit and Editor is used to design the circuit board so that it can be manufactured The book is written for both students and practicing engineers who need in depth instruction on how to use the software and who need background knowledge of the PCB design process Beginning to end coverage of the printed circuit board design process Information is presented in the exact order a circuit and PCB are designed Over 400 full color illustrations including extensive use of screen shots from the software allow readers to learn features of the product in the most realistic manner possible Straightforward realistic examples present the how and why the designs work providing a comprehensive toolset for understanding the OrCAD software Introduces and follows IEEE IPC and JEDEC industry standards for PCB design Unique chapter on Design for Manufacture covers padstack and footprint design and component placement for the design of manufacturable PCB s FREE CD containing the OrCAD demo version and design files

**Thermal Analysis with SolidWorks Simulation 2014** Paul Kurowski, 2014 Thermal Analysis with SolidWorks Simulation 2014 goes beyond the standard software manual It concurrently introduces the reader to thermal analysis and its implementation in SolidWorks Simulation using hands on exercises A number of projects are presented to illustrate thermal analysis and related topics Each chapter is designed to build on the skills and understanding gained from previous exercises

Thermal Analysis with SolidWorks Simulation 2014 is designed for users who are already familiar with the basics of Finite Element Analysis FEA using SolidWorks Simulation or who have completed the book Engineering Analysis with SolidWorks Simulation 2014 Thermal Analysis with SolidWorks Simulation 2014 builds on these topics in the area of thermal analysis Some understanding of FEA and SolidWorks Simulation is assumed Desarrollo y Construcción de Prototipos Electrónicos Ángel Bueno Martín, Ana I. de Soto Gorroño, 2005-09-15 Este manual es una guía que proporciona instrucciones completas y detalladas para el uso de los programas OrCAD Capture Layout plus y LPKF CircuitCAM BoardMaster de diseño y construcción de prototipos electrónicos respectivamente Pretendemos familiarizar al lector con el entorno de trabajo CAD CAM electrónico a través del software propuesto Junto a las indicaciones que ayudan a adquirir la destreza en el manejo de las herramientas informáticas orientadas al diseño electrónico en este libro se dan una serie de consejos y observaciones de interés que facilitan el trabajo y aclaran las dudas que con frecuencia le surgen al principiante haciendo hincapié en la correcta obtención y presentación de resultados informes planos fotolitos etc Respecto a la metodología cabe destacar su carácter de tutorial es decir se propone un ejemplo que servir de hilo conductor para ir completando las fases que conforman la base de datos del diseño Cada tema está desarrollado gradualmente explicando los comandos e instrucciones allí donde aparecen por vez primera Se acompañan numerosas ventanas pantallas aclaratorias aportaciones prácticas y explicaciones adicionales en aras a facilitar la comprensión de lo expuesto Se trata en definitiva de un método que ayuda en la realización de un trabajo organizado y eficaz que facilita la labor del profesor y el aprendizaje del alumno MATERIALES ADICIONALES EN APARTADO DE DESCARGAS DEL WEB MARCOMBO.COM **PC Mag**, 1993-06-29 PCMag.com is a leading authority on technology delivering Labs based independent reviews of the latest products and services Our expert industry analysis and practical solutions help you make better buying decisions and get more from technology **Byte**, 1984 **Microtimes**, 1993-04 Macworld, 1989 *Sound & Vibration*, 2000 **PC/Computing**, 1993-07 **SolidWorks práctico II - 2.ª edición** Sergio Gómez González, 2024-06-19 Si es un estudiante o un diseñador novel que desea adentrarse en el diseño y validación de productos mecánicos con SolidWorks con el objetivo de crear máquinas mecanismos productos o modelos para impresión 3D ha llegado al libro indicado SolidWorks práctico II es una compilación de prácticas guiadas y ejercicios de examen diseñados por el autor para sus clases universitarias en la Universidad Politécnica de Cataluña EEBE UPC Estas prácticas abarcan una amplia gama de complementos como Routing Motion Simulation FlowSimulation Photoview SolidCAM DMFXpress entre otros El contenido del libro se caracteriza por su enfoque visual y práctico lo que facilita la lectura con abundantes ilustraciones que detallan las etapas necesarias para utilizar los complementos de SolidWorks en el diseño y validación de productos más eficientes seguros y económicos Además en el libro encontrar el código de acceso que le permitirá descargar de forma gratuita los contenidos adicionales desde [www.marcombo.info](http://www.marcombo.info) que incluyen los modelos descritos a lo largo de la obra Esta segunda edición también cuenta con el acceso gratuito al Curso de SolidWorks Simulation Flow

Simulation y otros complementos Dicho curso est valorado en 35 y se compone de 54 videos con una duraci n total de 8 horas para que profundice en el entorno las aplicaciones y las funcionalidades de Solidworks el dise o de chapa met lica el dise o de moldes para inyecci n de pl sticos las simulaciones de inyecci n de pl sticos SolidWorks Plastics el dise o de estructura met lica y soldadura biblioteca de dise o y Toolbox PhotoViewer 360 imagen sint tica FeatureWorks SolidWorks Costing sostenibilidad FDMXpress entre otros Al finalizar el curso podr realizar un proyecto para conseguir la certificaci n de realizaci n del curso H gase con este libro y saque provecho de SolidWorks el software CAD CAM CAE que le permitir adem s de modelar piezas ensamblar conjuntos y crear planos validar sus dise os para realizar productos m s seguros y eficientes

PC Magazine ,2001

**Applied Science & Technology Index** ,1997

InfoWorld ,1986

**PCB Design & Layout**

**For DIY Etching** A B Lawal,2021-03-14 In this tutorial you will learn step by step how to use Ultiboard to route and make a single layer Printed Circuit Board layout that you can print out on paper Finally you will learn with demo videos a very inexpensive DIY method for transferring your layout to a Copper Clad board that you can etch and solder manually No heat transfer is involved After reading and completing the simple demo projects in this book you will learn many features of Ultiboard very fast and very effectively without getting overwhelmed You will not need to export any files or send gerbers to a PCB manufacturer fabricator We will be using the National Instruments Ultiboard and Multism PCB Design suite which I found to be the best among several others I have used Any of the versions 12 13 and 14 of this suite works perfectly well There is a link in this book for you to download a hassle free trial version of the suite that you can use for many days to learn and practice many projects of your own Merely having the Ultiboard user manual or referring to its help contents is far from sufficient in becoming a skillful PCB designer Therefore this book is extremely useful for building PCB design skills very fast First it will give you a big head start if you have never designed a PCB layout before Then it will teach you more advanced techniques you need to learn design and build anything from simple to complex PCB layouts using mostly Ultiboard Finally if you have questions or need further help I urge you to use the support link I provided in the last Chapter of this book I will get back to you very quickly

**Complete PCB Design Using OrCAD Capture and PCB Editor** Kraig Mitzner,Bob

Doe,Alexander Akulin,Anton Suponin,Dirk Müller,2019-06-20 Complete PCB Design Using OrCAD Capture and PCB Editor

Second Edition provides practical instruction on how to use the OrCAD design suite to design and manufacture printed circuit boards Chapters cover how to Design a PCB using OrCAD Capture and OrCAD PCB Editor adding PSpice simulation capabilities to a design how to develop custom schematic parts how to create footprints and PSpice models and how to perform documentation simulation and board fabrication from the same schematic design This book is suitable for both beginners and experienced designers providing basic principles and the program s full capabilities for optimizing designs Companion site <https://www.elsevier.com/books-and-journals/book-companion/9780128176849> Presents a fully updated edition on OrCAD Capture Version 17.2 Combines the theoretical and practical parts of PCB design Includes real life design

examples that show how and why designs work providing a comprehensive toolset for understanding OrCAD software  
Provides the exact order in which a circuit and PCB are designed Introduces the IPC JEDEC and IEEE standards relating to  
PCB design *Printed Circuit Boards* R. S. Khandpur,2005-09-07 The printed circuit is the basic building block of the  
electronics hardware industry This is a comprehensive single volume self teaching guide to the art of printed circuit board  
design and fabrication covering the complete cycle of PCB creation design layout fabrication assembly and testing

Delve into the emotional tapestry woven by in **Pcb Wizard Tutorial 1** . This ebook, available for download in a PDF format (\*), is more than just words on a page; it is a journey of connection and profound emotion. Immerse yourself in narratives that tug at your heartstrings. Download now to experience the pulse of each page and let your emotions run wild.

<https://py.bijouxmedusa.com/public/virtual-library/Documents/guide%20for%20startups%2076%20506%20cloud%20computing%20review%20for%20creators%2076%202023.pdf>

## **Table of Contents Pcb Wizard Tutorial 1**

1. Understanding the eBook Pcb Wizard Tutorial 1
  - The Rise of Digital Reading Pcb Wizard Tutorial 1
  - Advantages of eBooks Over Traditional Books
2. Identifying Pcb Wizard Tutorial 1
  - Exploring Different Genres
  - Considering Fiction vs. Non-Fiction
  - Determining Your Reading Goals
3. Choosing the Right eBook Platform
  - Popular eBook Platforms
  - Features to Look for in an Pcb Wizard Tutorial 1
  - User-Friendly Interface
4. Exploring eBook Recommendations from Pcb Wizard Tutorial 1
  - Personalized Recommendations
  - Pcb Wizard Tutorial 1 User Reviews and Ratings
  - Pcb Wizard Tutorial 1 and Bestseller Lists
5. Accessing Pcb Wizard Tutorial 1 Free and Paid eBooks
  - Pcb Wizard Tutorial 1 Public Domain eBooks
  - Pcb Wizard Tutorial 1 eBook Subscription Services
  - Pcb Wizard Tutorial 1 Budget-Friendly Options

6. Navigating Pcb Wizard Tutorial 1 eBook Formats
  - ePub, PDF, MOBI, and More
  - Pcb Wizard Tutorial 1 Compatibility with Devices
  - Pcb Wizard Tutorial 1 Enhanced eBook Features
7. Enhancing Your Reading Experience
  - Adjustable Fonts and Text Sizes of Pcb Wizard Tutorial 1
  - Highlighting and Note-Taking Pcb Wizard Tutorial 1
  - Interactive Elements Pcb Wizard Tutorial 1
8. Staying Engaged with Pcb Wizard Tutorial 1
  - Joining Online Reading Communities
  - Participating in Virtual Book Clubs
  - Following Authors and Publishers Pcb Wizard Tutorial 1
9. Balancing eBooks and Physical Books Pcb Wizard Tutorial 1
  - Benefits of a Digital Library
  - Creating a Diverse Reading Collection Pcb Wizard Tutorial 1
10. Overcoming Reading Challenges
  - Dealing with Digital Eye Strain
  - Minimizing Distractions
  - Managing Screen Time
11. Cultivating a Reading Routine Pcb Wizard Tutorial 1
  - Setting Reading Goals Pcb Wizard Tutorial 1
  - Carving Out Dedicated Reading Time
12. Sourcing Reliable Information of Pcb Wizard Tutorial 1
  - Fact-Checking eBook Content of Pcb Wizard Tutorial 1
  - Distinguishing Credible Sources
13. Promoting Lifelong Learning
  - Utilizing eBooks for Skill Development
  - Exploring Educational eBooks
14. Embracing eBook Trends
  - Integration of Multimedia Elements

- Interactive and Gamified eBooks

## **Pcb Wizard Tutorial 1 Introduction**

In today's digital age, the availability of Pcb Wizard Tutorial 1 books and manuals for download has revolutionized the way we access information. Gone are the days of physically flipping through pages and carrying heavy textbooks or manuals. With just a few clicks, we can now access a wealth of knowledge from the comfort of our own homes or on the go. This article will explore the advantages of Pcb Wizard Tutorial 1 books and manuals for download, along with some popular platforms that offer these resources. One of the significant advantages of Pcb Wizard Tutorial 1 books and manuals for download is the cost-saving aspect. Traditional books and manuals can be costly, especially if you need to purchase several of them for educational or professional purposes. By accessing Pcb Wizard Tutorial 1 versions, you eliminate the need to spend money on physical copies. This not only saves you money but also reduces the environmental impact associated with book production and transportation. Furthermore, Pcb Wizard Tutorial 1 books and manuals for download are incredibly convenient. With just a computer or smartphone and an internet connection, you can access a vast library of resources on any subject imaginable. Whether you're a student looking for textbooks, a professional seeking industry-specific manuals, or someone interested in self-improvement, these digital resources provide an efficient and accessible means of acquiring knowledge. Moreover, PDF books and manuals offer a range of benefits compared to other digital formats. PDF files are designed to retain their formatting regardless of the device used to open them. This ensures that the content appears exactly as intended by the author, with no loss of formatting or missing graphics. Additionally, PDF files can be easily annotated, bookmarked, and searched for specific terms, making them highly practical for studying or referencing. When it comes to accessing Pcb Wizard Tutorial 1 books and manuals, several platforms offer an extensive collection of resources. One such platform is Project Gutenberg, a nonprofit organization that provides over 60,000 free eBooks. These books are primarily in the public domain, meaning they can be freely distributed and downloaded. Project Gutenberg offers a wide range of classic literature, making it an excellent resource for literature enthusiasts. Another popular platform for Pcb Wizard Tutorial 1 books and manuals is Open Library. Open Library is an initiative of the Internet Archive, a non-profit organization dedicated to digitizing cultural artifacts and making them accessible to the public. Open Library hosts millions of books, including both public domain works and contemporary titles. It also allows users to borrow digital copies of certain books for a limited period, similar to a library lending system. Additionally, many universities and educational institutions have their own digital libraries that provide free access to PDF books and manuals. These libraries often offer academic texts, research papers, and technical manuals, making them invaluable resources for students and researchers. Some notable examples include MIT OpenCourseWare, which offers free access to course materials from the Massachusetts Institute of Technology, and the

Digital Public Library of America, which provides a vast collection of digitized books and historical documents. In conclusion, Pcb Wizard Tutorial 1 books and manuals for download have transformed the way we access information. They provide a cost-effective and convenient means of acquiring knowledge, offering the ability to access a vast library of resources at our fingertips. With platforms like Project Gutenberg, Open Library, and various digital libraries offered by educational institutions, we have access to an ever-expanding collection of books and manuals. Whether for educational, professional, or personal purposes, these digital resources serve as valuable tools for continuous learning and self-improvement. So why not take advantage of the vast world of Pcb Wizard Tutorial 1 books and manuals for download and embark on your journey of knowledge?

### FAQs About Pcb Wizard Tutorial 1 Books

1. Where can I buy Pcb Wizard Tutorial 1 books? Bookstores: Physical bookstores like Barnes & Noble, Waterstones, and independent local stores. Online Retailers: Amazon, Book Depository, and various online bookstores offer a wide range of books in physical and digital formats.
2. What are the different book formats available? Hardcover: Sturdy and durable, usually more expensive. Paperback: Cheaper, lighter, and more portable than hardcovers. E-books: Digital books available for e-readers like Kindle or software like Apple Books, Kindle, and Google Play Books.
3. How do I choose a Pcb Wizard Tutorial 1 book to read? Genres: Consider the genre you enjoy (fiction, non-fiction, mystery, sci-fi, etc.). Recommendations: Ask friends, join book clubs, or explore online reviews and recommendations. Author: If you like a particular author, you might enjoy more of their work.
4. How do I take care of Pcb Wizard Tutorial 1 books? Storage: Keep them away from direct sunlight and in a dry environment. Handling: Avoid folding pages, use bookmarks, and handle them with clean hands. Cleaning: Gently dust the covers and pages occasionally.
5. Can I borrow books without buying them? Public Libraries: Local libraries offer a wide range of books for borrowing. Book Swaps: Community book exchanges or online platforms where people exchange books.
6. How can I track my reading progress or manage my book collection? Book Tracking Apps: Goodreads, LibraryThing, and Book Catalogue are popular apps for tracking your reading progress and managing book collections. Spreadsheets: You can create your own spreadsheet to track books read, ratings, and other details.
7. What are Pcb Wizard Tutorial 1 audiobooks, and where can I find them? Audiobooks: Audio recordings of books, perfect

- for listening while commuting or multitasking. Platforms: Audible, LibriVox, and Google Play Books offer a wide selection of audiobooks.
8. How do I support authors or the book industry? Buy Books: Purchase books from authors or independent bookstores. Reviews: Leave reviews on platforms like Goodreads or Amazon. Promotion: Share your favorite books on social media or recommend them to friends.
  9. Are there book clubs or reading communities I can join? Local Clubs: Check for local book clubs in libraries or community centers. Online Communities: Platforms like Goodreads have virtual book clubs and discussion groups.
  10. Can I read Pcb Wizard Tutorial 1 books for free? Public Domain Books: Many classic books are available for free as they're in the public domain. Free E-books: Some websites offer free e-books legally, like Project Gutenberg or Open Library.

### Find Pcb Wizard Tutorial 1 :

[guide for startups 76-506](#) [cloud computing review for creators 76-2023](#)  
**study America 76-2842 AI tools case study USA 76-63 AI tools case study**  
[explained for small business 76-2680](#) [home organization explained for States 76-1293](#) [chatbot development apps for entrepreneurs 76-2060](#)  
[ideas USA 76-1407](#) [Instagram growth ideas for entrepreneurs 76-1305](#)  
**76-710 business automation guide for small business 76-157 business**  
[for beginners for entrepreneurs 76-524](#) [Instagram growth for beginners](#)  
[remote jobs apps United States 76-394](#) [remote jobs apps for creators United States 76-40](#) [remote jobs explained for startups 76-717](#) [remote productivity hacks explained USA 76-398](#) [productivity hacks explained](#)  
[Instagram growth blueprint for entrepreneurs 76-22](#) [Instagram growth marketplace review United States 76-2875](#) [NFT marketplace review for entrepreneurs 76-108](#) [self improvement best practices for small business](#)  
[Instagram growth software for creators 76-829](#) [Instagram growth step by computing roadmap for small business 76-2160](#) [cloud computing roadmap for](#)

**Pcb Wizard Tutorial 1 :**

**atmospheric chemistry by richard p wayne open library** - Sep 07 2023

web feb 11 2023 created by importbot imported from better world books record atmospheric chemistry by richard p wayne ann m holloway 2010 royal society of chemistry the royal society of chemistry edition in english

atmospheric organochlorinated pesticide levels and gas particle - Mar 21 2022

web abstract bu çalışmada İstanbul un kentsel bir yerleşim bölgesinde gaz ve partikül fazında ortam havası organoklorlu pestisit ocp seviyeleri araştırılmıştır Ör

*atmospheric chemistry hardcover 1 mar 2010 amazon co uk* - Mar 01 2023

web mar 1 2010 ann m holloway atmospheric chemistry hardcover 1 mar 2010 by ann m holloway author richard p wayne author 4 3 4 ratings see all formats and editions kindle edition 20 79 read with our free app hardcover 15 99

**international conference on atmospheric chemistry modeling** - Feb 17 2022

web aug 16 2023 atmospheric chemistry modeling scheduled on august 17 18 2023 in august 2023 in istanbul is for the researchers scientists scholars engineers academic scientific and university practitioners to present research activities that might want to attend events meetings seminars congresses workshops summit and symposiums

**subject index atmospheric chemistry books gateway royal** - Nov 28 2022

web mar 31 2010 atmospheric chemistry the royal society of chemistry 2010 pp 260 271 download citation file ris zotero reference manager easybib bookends mendeley papers endnote refworks bibtex

atmospheric chemistry an overview sciencedirect topics - Jun 23 2022

web atmospheric chemistry s c pryor r c sullivan in reference module in earth systems and environmental sciences 2015 abstract atmospheric chemistry is the branch of atmospheric science focused on chemical processes within earth s atmosphere research in this area is critical to improved understanding of climate forcing air quality

atmosfer kimyası vikipedi - May 23 2022

web atmosfer kimyası atmosfer biliminin bir dalıdır dünya atmosferi ile diğer gezegenlerin atmosferlerini inceler atmosfer kimyası disiplinler arası araştırma alanıdır ve çevre kimyası fizik meteoroloji bilgisayar modelleme volkanoloji iklim bilimi gibi diğer alanlarla da çalışır atmosferin bileşimi ve kimyası birçok

**atmospheric chemistry ann m holloway richard p wayne** - Aug 06 2023

web nov 9 2015 atmospheric chemistry ann m holloway richard p wayne royal society of chemistry nov 9 2015 technology engineering 271 pages atmospheric chemistry provides readers with a basic

**atmospheric chemistry 2019 edition open library** - Jul 05 2023

web atmospheric chemistry by richard p wayne ann m holloway 2019 royal society of chemistry the edition in english

[chemometrics in food chemistry chapter 9 hyperspectral](#) - Apr 21 2022

web chemometrics in food chemistry chapter while agricultural and food science is multidisciplinary by its very nature chemistry is nearly always at the core of the work involved agricultural and food chemists delve into all aspects of crop agricultural and food chemistry i am very much interested interpreting

[atmospheric chemistry by ann m holloway richard p wayne](#) - Jun 04 2023

web nov 9 2015 atmospheric chemistry provides readers with a basic knowledge of the chemistry of earth's atmosphere and an understanding of the role that chemical transformations play in this vital part of our environment

**atmospheric chemistry books gateway royal society of chemistry** - Oct 08 2023

web mar 31 2010 atmospheric chemistry provides readers with a basic knowledge of the chemistry of earth's atmosphere and an understanding of the role that chemical transformations play in this vital part of our environment

[atmospheric chemistry by ann holloway and richard wayne rsc deepdyve](#) - Jul 25 2022

web apr 1 2011 atmospheric chemistry by ann holloway and richard wayne rsc publishing 2010 isbn 978 1 84755 807 7 260 pp the quarterly journal of the royal meteorological society 10 1002 qj 726 deepdyve deepdyve

**atmospheric chemistry by ann holloway and richard wayne rsc publishing** - May 03 2023

web mar 29 2011 atmospheric chemistry by ann holloway and richard wayne rsc publishing 2010 isbn 978 1 84755 807 7 260 pp shallcross 2011 quarterly

**atmospheric chemistry rsc by ann m holloway goodreads** - Dec 30 2022

web mar 31 2010 atmospheric chemistry provides readers with a basic knowledge of the chemistry of earth's atmosphere and an understanding of the role that chemical transformations play in this vital part of our environment

**atmospheric chemistry rsc holloway ann m wayne richard** - Aug 26 2022

web abebooks.com atmospheric chemistry rsc 9781847558077 by holloway ann m wayne richard p and a great selection of similar new used and collectible books available now at great prices

[atmospheric chemistry rsc ecg](#) - Oct 28 2022

web ann holloway and richard wayne's new text atmospheric chemistry follows on from wayne's definitive chemistry of atmospheres 3rd edn oxford university press 2000 an authoritative book familiar to generations of graduate students researchers and practitioners in atmospheric science atmospheric chemistry covers much of the material

[atmospheric chemistry by ann holloway and richard wayne](#) - Jan 31 2023

web dynamics of the tropical atmosphere and oceans radar meteorology a first course hydrometeorology meteorological measurements and instrumentation fluid dynamics of the mid latitude atmosphere

**atmospheric chemistry holloway ann m wayne richard p** - Apr 02 2023

web nov 9 2015 atmospheric chemistry kindle edition by holloway ann m wayne richard p download it once and read it on your kindle device pc phones or tablets use features like bookmarks note taking and highlighting while

**atmospheric chemistry by ann holloway abebooks** - Sep 26 2022

web atmospheric chemistry by holloway ann m wayne richard p and a great selection of related books art and collectibles available now at abebooks co uk

**download dekker mechanical engineering 222 heat exchanger** - Dec 06 2022

web download dekker mechanical engineering 222 heat exchanger is available in our digital library an online access to it is set as public so you can get it instantly our books

**what does dekker mean definitions net** - May 31 2022

web dekker definition english dramatist see more collins english dictionary complete unabridged 2012 digital edition william collins sons co ltd 1979 1986

where to download dekker mechanical engineering 222 heat - Oct 04 2022

web may 6 2023 where to download dekker mechanical engineering 222 heat exchanger pdf for free mechanical tolerance stackup and analysis mechanical

**download dekker mechanical engineering 222 heat exchanger** - Aug 14 2023

web mechanical engineering 222 heat exchanger pdf on your android iphone ipad or pc directly the following pdf file is submitted in 27 jul 2020 ebook id pdf

**download dekker mechanical engineering 222 heat exchanger** - Jul 13 2023

web jun 2 2023 download dekker mechanical engineering 222 heat exchanger 1 11 downloaded from uniport edu ng on june 2 2023 by guest download dekker

**download dekker mechanical engineering 222 heat exchanger** - Feb 25 2022

web jun 11 2023 you could quickly download this download dekker mechanical engineering 222 heat exchanger after getting deal so following you require the book

**dekker definition meaning dictionary com** - Apr 29 2022

web download dekker mechanical engineering 222 heat exchanger 1 14 downloaded from uniport edu ng on may 11 2023 by guest download dekker mechanical engineering

**download dekker mechanical engineering 222 heat exchanger** - Oct 24 2021

web nov 2 2022 this download dekker mechanical engineering 222 heat exchanger as one of the most operating sellers here will unquestionably be accompanied by the best

download dekker mechanical engineering 222 heat exchanger - Jul 01 2022

web definition of dekker in the definitions net dictionary meaning of dekker what does dekker mean information and translations of dekker in the most comprehensive dictionary

[heat exchanger design handbook mechanical](#) - Aug 02 2022

web download dekker mechanical engineering 222 heat exchanger 1 download dekker mechanical engineering 222 heat exchanger project management software defined

*where to download dekker mechanical engineering 222 heat* - Nov 05 2022

web may 12 2023 where to download dekker mechanical engineering 222 heat exchanger pdf for fundamental fluid mechanics for the practicing engineer

*download dekker mechanical engineering 222 heat exchanger* - Sep 03 2022

web 2 download dekker mechanical engineering 222 heat exchanger 2021 11 26 and analytical methods including infrared spectroscopy thermal analysis chromatography

[dekkermechanicalengineering222heatexchanger pdf](#) - May 11 2023

web download dekker mechanical engineering 222 heat exchanger 2 11 downloaded from ads independent com on november 2 2022 by guest theory computer modeling semi

[dekker mechanical engineering 222 heat exchanger pdf](#) - Jan 07 2023

web jan 24 2023 dekker mechanical engineering 222 heat exchanger 1 1 downloaded from las gnome org on january 24 2023 by guest dekker mechanical engineering 222

[download dekker mechanical engineering 222 heat exchanger](#) - Jun 12 2023

web exchanger design handbook dekker mechanical engineering 1 ed 0824797876 download heat exchanger design handbook dekker mechanical april 27th 2018

**download dekker mechanical engineering 222 heat exchanger** - Jan 27 2022

web jun 5 2023 download dekker mechanical engineering 222 heat exchanger 1 11 downloaded from uniport edu ng on june 5 2023 by guest download dekker

**heat exchanger design handbook mechanical engineering 222** - Apr 10 2023

web may 20 2013 heat exchanger design handbook mechanical engineering 222 kindle edition by thulukkanam kuppan download it once and read it on your kindle device

[download dekker mechanical engineering 222 heat exchanger](#) - Mar 29 2022

web may 22 2023 download dekker mechanical engineering 222 heat exchanger 1 13 downloaded from uniport edu ng on may 22 2023 by guest download dekker

*dekker mechanical engineering 222 heat exchanger* - Mar 09 2023

web download and install the dekker mechanical engineering 222 heat exchanger it is categorically simple then in the past currently we extend the colleague to purchase and

[download dekker mechanical engineering 222 heat exchanger](#) - Nov 24 2021

web may 5 2023 download dekker mechanical engineering 222 heat exchanger 1 11 downloaded from uniport edu ng on may 5 2023 by guest download dekker

**download dekker mechanical engineering 222 heat exchanger** - Sep 22 2021

[download dekker mechanical engineering 222 heat exchanger](#) - Feb 08 2023

web download dekker mechanical engineering 222 heat exchanger april 14th 2018 page 1 download dekker mechanical engineering 222 heat exchanger pdf file is about

**download dekker mechanical engineering 222 heat exchanger** - Dec 26 2021

web may 8 2023 discover the message download dekker mechanical engineering 222 heat exchanger that you are looking for it will unconditionally squander the time however

**pdf mechanics of materials abdul rahman** - Jan 07 2023

web pdf download mechanics of materials 7th edition ebook read online link read download and more info catalogalery com 0073398233 download mechanics

**mechanics of materials 7th edition free ebooks download** - May 11 2023

web 2010 10 21 mechanics of materials 7th edition 2010 10 21 mechanics of materials 7th edition 2008 01 06 mechanics of materials 7th edition 2009 04 13 mechanics of

**download mechanics of materials 7th edition pdf ebooks free by** - Sep 03 2022

web pdf download mechanics of materials 7th edition ebook read online link read download and more info manbookgalery com 0073398233

*mechanics of materials 7th edition free download* - Apr 10 2023

web pdf download mechanics of materials 7th edition ebook read online link read download and more info creatorpdf com 0073398233 download mechanics of

*download pdf mechanics of materials 7th edition pre order* - Aug 02 2022

web download view book mechanics of materials by file type number of pages description no description available for this content

**mechanics of materials si edition edition 7 google play** - Feb 08 2023

web download free ebook mechanics of materials 7th edition repost free epub mobi pdf ebooks download ebook torrents

download

[mechanics of materials 7th edition textbook solutions bartleby](#) - Feb 25 2022

web sep 11 2019 mechanics of materials 7th edition beer solution manual was published by harrison ng on 2019 09 11 find more similar flip pdfs like mechanics of materials 7th edition beer solution manual download mechanics of materials 7th edition beer solution manual pdf for free

[free download mechanics of materials 7th edition full](#) - Mar 09 2023

web mechanics of materials si edition edition 7 ebook written by james m gere barry j goodno read this book using google play books app on your pc android ios

*mechanics of materials 7th edition pdf ebook and manual free* - Jan 27 2022

web stream download mechanics of materials 7th edition pdf ebook epub by desiraeparis on desktop and mobile play over 320 million tracks for free on

**mechanics of materials 7th edition beer solution manual** - Dec 26 2021

web jul 28 2023 download mechanics of materials 7th edition pdf ebooks free by pdf pdf is nearby in our digital library an online access to it is set as public therefore you can

**mechanics of materials 7th edition repost free ebooks** - Dec 06 2022

web download mechanics of materials 7th edition or read mechanics of materials 7th edition online books in pdf epub and mobi format click download or read online

**download mechanics of materials 7th edition pdf** - Nov 24 2021

**mechanics of materials 7th edition ebook pdf pizet** - Jun 12 2023

web mechanics of materials 7th edition 928 pages dec 12 2007 isbn 0132209918 pdf 158 mb this clear comprehensive presentation discusses both the theory and

**pdf download mechanics of materials 7th edition for any** - Nov 05 2022

web in order to read or download download mechanics of materials 7th edition pdf ebooks free by ebook you need to create a free account download now ebook includes

[seventh edition mechanics of materials academia edu](#) - Aug 14 2023

web free essays homework help flashcards research papers book reports term papers history science politics studylib documents flashcards chrome extension login

*download pdf mechanics of materials 7th edition pre order* - Jul 01 2022

web pdf download mechanics of materials 7th edition ebook read online link read download and more info manbookgalery

com 0073398233 download

pdf download mechanics of materials 7th edition full online - Apr 29 2022

web buy launch mechanics of materials 7th edition 7th edition ferdinand p beer e russell johnston jr john t dewolf david f mazurek publisher mcgraw hill education isbn

*mechanics of materials download book free computer books download* - May 31 2022

web pdf mechanics of materials 7th edition free download mechanics of materials 7th edition free ebooks download

mechanics of materials beer documents pdfs

download mechanics of materials 7th edition pdf ebooks free by - Mar 29 2022

web mechanics of materials 7th edition list of ebooks and manuels about mechanics of materials 7th edition

*mechanics of materials 7th edition pdfdrive studylib net* - Jul 13 2023

web jan 24 2014 mechanics of materials 7th edition download and read online mechanics of materials 7th edition ebooks in pdf epub tuebl mobi kindle book

*download mechanics of materials 7th edition pdf ebooks free* - Oct 24 2021

*pdf mechanics of materials 7th edition ebooksexperts com* - Oct 04 2022

web nov 12 2020 download mechanics of materials 7th editio show more pdf download mechanics of materials 7th edition ebook read online link read