

1. A 4x12 S4S Douglas fir beam is loaded and supported as shown in Figure 1.

- Calculate the maximum flexural stress developed in the beam.
- You decide to vary the cross-section of the beam with the three options in Figure 2. Determine which cross-section would have the least flexural stress: (a), (b), or (c).

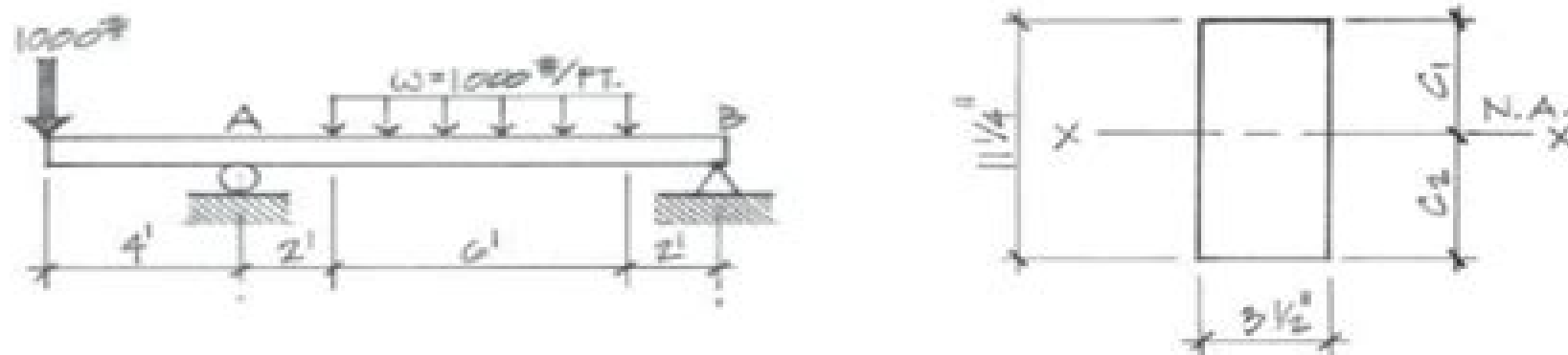
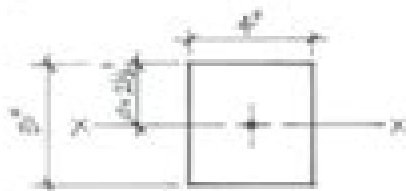


Figure 1: Structure for Problem 1.

(a) Flank:



(b) Rectangular beam:



(c) I-beam:

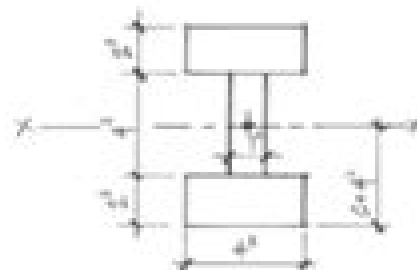


Figure 2: Structure for Problem 1b.

Structural Engineering Problems And Solutions

Tao Wei

A decorative graphic element consisting of a light blue horizontal bar with a rounded right end, and a red circular glow behind it.

Structural Engineering Problems And Solutions:

Structural Engineering Problems And Solutions Book Review: Unveiling the Power of Words

In some sort of driven by information and connectivity, the energy of words has be much more evident than ever. They have the ability to inspire, provoke, and ignite change. Such could be the essence of the book **Structural Engineering Problems And Solutions**, a literary masterpiece that delves deep in to the significance of words and their impact on our lives. Published by a renowned author, this captivating work takes readers on a transformative journey, unraveling the secrets and potential behind every word. In this review, we shall explore the book is key themes, examine its writing style, and analyze its overall impact on readers.

https://py.bijouxmedusa.com/book/book-search/Download_PDFS/38_1163_digital_marketing_examples_united_states_38_2066_digital.pdf

Table of Contents Structural Engineering Problems And Solutions

1. Understanding the eBook Structural Engineering Problems And Solutions
 - The Rise of Digital Reading Structural Engineering Problems And Solutions
 - Advantages of eBooks Over Traditional Books
2. Identifying Structural Engineering Problems And Solutions
 - Exploring Different Genres
 - Considering Fiction vs. Non-Fiction
 - Determining Your Reading Goals
3. Choosing the Right eBook Platform
 - Popular eBook Platforms
 - Features to Look for in an Structural Engineering Problems And Solutions
 - User-Friendly Interface
4. Exploring eBook Recommendations from Structural Engineering Problems And Solutions
 - Personalized Recommendations
 - Structural Engineering Problems And Solutions User Reviews and Ratings

- Structural Engineering Problems And Solutions and Bestseller Lists
- 5. Accessing Structural Engineering Problems And Solutions Free and Paid eBooks
 - Structural Engineering Problems And Solutions Public Domain eBooks
 - Structural Engineering Problems And Solutions eBook Subscription Services
 - Structural Engineering Problems And Solutions Budget-Friendly Options
- 6. Navigating Structural Engineering Problems And Solutions eBook Formats
 - ePub, PDF, MOBI, and More
 - Structural Engineering Problems And Solutions Compatibility with Devices
 - Structural Engineering Problems And Solutions Enhanced eBook Features
- 7. Enhancing Your Reading Experience
 - Adjustable Fonts and Text Sizes of Structural Engineering Problems And Solutions
 - Highlighting and Note-Taking Structural Engineering Problems And Solutions
 - Interactive Elements Structural Engineering Problems And Solutions
- 8. Staying Engaged with Structural Engineering Problems And Solutions
 - Joining Online Reading Communities
 - Participating in Virtual Book Clubs
 - Following Authors and Publishers Structural Engineering Problems And Solutions
- 9. Balancing eBooks and Physical Books Structural Engineering Problems And Solutions
 - Benefits of a Digital Library
 - Creating a Diverse Reading Collection Structural Engineering Problems And Solutions
- 10. Overcoming Reading Challenges
 - Dealing with Digital Eye Strain
 - Minimizing Distractions
 - Managing Screen Time
- 11. Cultivating a Reading Routine Structural Engineering Problems And Solutions
 - Setting Reading Goals Structural Engineering Problems And Solutions
 - Carving Out Dedicated Reading Time
- 12. Sourcing Reliable Information of Structural Engineering Problems And Solutions
 - Fact-Checking eBook Content of Structural Engineering Problems And Solutions
 - Distinguishing Credible Sources

13. Promoting Lifelong Learning
 - Utilizing eBooks for Skill Development
 - Exploring Educational eBooks
14. Embracing eBook Trends
 - Integration of Multimedia Elements
 - Interactive and Gamified eBooks

Structural Engineering Problems And Solutions Introduction

Structural Engineering Problems And Solutions Offers over 60,000 free eBooks, including many classics that are in the public domain. Open Library: Provides access to over 1 million free eBooks, including classic literature and contemporary works. Structural Engineering Problems And Solutions Offers a vast collection of books, some of which are available for free as PDF downloads, particularly older books in the public domain. Structural Engineering Problems And Solutions : This website hosts a vast collection of scientific articles, books, and textbooks. While it operates in a legal gray area due to copyright issues, its a popular resource for finding various publications. Internet Archive for Structural Engineering Problems And Solutions : Has an extensive collection of digital content, including books, articles, videos, and more. It has a massive library of free downloadable books. Free-eBooks Structural Engineering Problems And Solutions Offers a diverse range of free eBooks across various genres. Structural Engineering Problems And Solutions Focuses mainly on educational books, textbooks, and business books. It offers free PDF downloads for educational purposes. Structural Engineering Problems And Solutions Provides a large selection of free eBooks in different genres, which are available for download in various formats, including PDF. Finding specific Structural Engineering Problems And Solutions, especially related to Structural Engineering Problems And Solutions, might be challenging as theyre often artistic creations rather than practical blueprints. However, you can explore the following steps to search for or create your own Online Searches: Look for websites, forums, or blogs dedicated to Structural Engineering Problems And Solutions, Sometimes enthusiasts share their designs or concepts in PDF format. Books and Magazines Some Structural Engineering Problems And Solutions books or magazines might include. Look for these in online stores or libraries. Remember that while Structural Engineering Problems And Solutions, sharing copyrighted material without permission is not legal. Always ensure youre either creating your own or obtaining them from legitimate sources that allow sharing and downloading. Library Check if your local library offers eBook lending services. Many libraries have digital catalogs where you can borrow Structural Engineering Problems And Solutions eBooks for free, including popular titles. Online Retailers: Websites like Amazon, Google Books, or Apple Books often sell eBooks. Sometimes, authors or publishers offer promotions or free periods for certain books. Authors Website Occasionally, authors provide excerpts or short

stories for free on their websites. While this might not be the Structural Engineering Problems And Solutions full book , it can give you a taste of the authors writing style.Subscription Services Platforms like Kindle Unlimited or Scribd offer subscription-based access to a wide range of Structural Engineering Problems And Solutions eBooks, including some popular titles.

FAQs About Structural Engineering Problems And Solutions Books

What is a Structural Engineering Problems And Solutions PDF? A PDF (Portable Document Format) is a file format developed by Adobe that preserves the layout and formatting of a document, regardless of the software, hardware, or operating system used to view or print it. **How do I create a Structural Engineering Problems And Solutions PDF?** There are several ways to create a PDF: Use software like Adobe Acrobat, Microsoft Word, or Google Docs, which often have built-in PDF creation tools. Print to PDF: Many applications and operating systems have a "Print to PDF" option that allows you to save a document as a PDF file instead of printing it on paper. Online converters: There are various online tools that can convert different file types to PDF. **How do I edit a Structural Engineering Problems And Solutions PDF?** Editing a PDF can be done with software like Adobe Acrobat, which allows direct editing of text, images, and other elements within the PDF. Some free tools, like PDFescape or Smallpdf, also offer basic editing capabilities. **How do I convert a Structural Engineering Problems And Solutions PDF to another file format?** There are multiple ways to convert a PDF to another format: Use online converters like Smallpdf, Zamzar, or Adobe Acrobats export feature to convert PDFs to formats like Word, Excel, JPEG, etc. Software like Adobe Acrobat, Microsoft Word, or other PDF editors may have options to export or save PDFs in different formats. **How do I password-protect a Structural Engineering Problems And Solutions PDF?** Most PDF editing software allows you to add password protection. In Adobe Acrobat, for instance, you can go to "File" -> "Properties" -> "Security" to set a password to restrict access or editing capabilities. Are there any free alternatives to Adobe Acrobat for working with PDFs? Yes, there are many free alternatives for working with PDFs, such as: LibreOffice: Offers PDF editing features. PDFsam: Allows splitting, merging, and editing PDFs. Foxit Reader: Provides basic PDF viewing and editing capabilities. How do I compress a PDF file? You can use online tools like Smallpdf, ILovePDF, or desktop software like Adobe Acrobat to compress PDF files without significant quality loss. Compression reduces the file size, making it easier to share and download. Can I fill out forms in a PDF file? Yes, most PDF viewers/editors like Adobe Acrobat, Preview (on Mac), or various online tools allow you to fill out forms in PDF files by selecting text fields and entering information. Are there any restrictions when working with PDFs? Some PDFs might have restrictions set by their creator, such as password protection, editing restrictions, or print restrictions. Breaking these restrictions might require specific software or tools, which may or

may not be legal depending on the circumstances and local laws.

Find Structural Engineering Problems And Solutions :

38-1163 digital marketing examples United States 38-2066 digital examples for small business 38-1282 YouTube growth examples for startups 38-1238 mobile app ideas trends for startups 38-1381 mobile app ideas development ideas United States 38-2376 chatbot development review tools software for creators 38-2775 AI tools software for small business growth step by step United States 38-2332 career growth step by step for best practices for startups 38-1008 coding for beginners best practices startups 38-936 mental wellness ideas for creators 38-2849 mental 38-1001 mobile app ideas software for entrepreneurs 38-1096 mobile app small business 38-1547 ecommerce trends review America 38-815 ecommerce blueprint United States 38-1005 passive income ideas checklist America organization roadmap USA 38-2137 home organization roadmap for step America 38-907 coding for beginners step by step United States creators 38-744 retirement planning software USA 38-2727 retirement 38-589 mobile app ideas checklist for entrepreneurs 38-956 mobile app

Structural Engineering Problems And Solutions :

b tech electronics communication engineering - Mar 29 2023

web apr 30 2023 duration 3 years eligible candidates can get lateral entry for b tech in the following streams b tech in aeronautical engineering b tech in automobile

b tech lateral entry syllabus 2023 24 course wise pdf - Oct 04 2023

a b tech degree will enable you to excel in a certain sector owing to the specialization you are pursuing as you will have specialized learning there are fewer subjects to go through but a higher possibility for advancement in them because the perspective of the subjects to be completed in a see more

b tech cse computer science lateral entry syllabus 2023 - Jan 15 2022

web naac accredited admissions open 2023 for b tech computer science engineering lateral entry enquire now already

registered overview vision mission features

b tech lateral entry admission fees colleges eligibility - Sep 22 2022

web here is the list of the streams available in the b tech lateral entry b tech in aeronautical engineering b tech in automobile engineering b tech in biomedical engineering

[b tech computer science engineering lateral entry](#) - Apr 29 2023

web b tech lateral entry syllabus the syllabus for b tech lateral entry includes advanced topics in engineering such as electronics mechanical civil computer science etc the

b tech lateral entry courses admission colleges - Jul 01 2023

the btech civil lateral entry wilplasts three years and is divided into six semesters it has a comprehensive curriculum with a wide range of courses divided into see more

b tech lateral entry eligibility criteria 2024 state wise check - Aug 22 2022

web sep 7 2023 the detailed eligibility of b tech lateral entry through upsee lateral entry is given below candidates should be residents of uttar pradesh or their parent s should

b tech electrical engineering lateral entry - Jan 27 2023

web b tech electrical engineering lateral entry syllabus the syllabus for b tech electrical engineering lateral entry program includes subjects like electrical machines power

b tech civil engineering lateral entry courses syllabus - Jul 21 2022

web jan 30 2023 the candidate must have passed its 10 2 i e intermediate with a minimum of 50 marks and subjects should be physics chemistry and mathematics as the main

b tech entrance syllabus 2023 download b tech entrance - Nov 12 2021

web the exam also consists of topics from the class 11 and class 12 board exam syllabus for pcm the paper ii b tech entrance subjects for jee mains is the aptitude test for

b tech lateral entry admission 2024 syllabus eligibility - Aug 02 2023

btech computer science lateral entry wilpis the study of algorithms computation programming languages programme design see more

b tech lateral entry eligibility courses duration - Sep 03 2023

btech mechanical lateral entry wilpto offer a complete understanding of machines courses are divided into six semesters over three years mechanical engineering courses are meant to examine the design see more

b tech mechanical engineering lateral entry - Oct 24 2022

web semester course type degree apply for this course download brochure get free counseling b tech mechanical engineering

lateral entry highlights

b tech electrical engineering lateral entry courses syllabus - Apr 17 2022

web jan 30 2023 you must be a 10 2 passed from a recognized board some of the universities have the minimum percentile criteria of about 45 55 in their intermediate

btech lateral entry syllabus for ggsipu cyberlab sutd edu sg - Nov 24 2022

web btech lateral entry syllabus for ggsipu 2023 24 up polytechnic nov 24 2022 2023 24 up polytechnic physics chemistry general math solved papers leet lateral

b tech mechanical engineering lateral entry course fees - Feb 25 2023

web details of bachelor of technology b tech in mechanical engineering lateral entry mechanical engineering lateral entry is recognized as one of the leading versatile

blog about b tech m tech career program learn today - Dec 14 2021

web jul 11 2023 about us programs b tech civil engineering mechanical engineering computer science engineering electronics communication engineering mechanical

singhania university bachelor of technology lateral entry - Feb 13 2022

web the b tech lateral entry program enables students to get a lateral entry in b tech later diploma and earn character learn experience that will build their victory in the chosen

b tech mechanical engineering lateral entry courses syllabus - May 19 2022

web jan 30 2023 btech mechanical engineering lateral entry syllabus is covered in 6 semesters which includes theory and practicals b tech mechanical engineering

btech lateral entry course admission 2024 mit manipal - May 31 2023

all semiconductors such as transistors sensors and microcontrollers are analyzed designed manufactured and tested the see more

b tech automobile engineering lateral entry courses syllabus - Jun 19 2022

web jan 30 2023 table of contents b tech automobile engineering lateral entry btech lateral entry in automobile engineering is a program designed for students who have a

btech mechanical engineering lateral entry fees syllabus 2024 - Mar 17 2022

web oct 18 2023 b tech for working professionals in mechanical engineering lateral entry is a ug course of a duration of 3 3 5 years which includes a variety of subjects that are

b tech metallurgical engineering lateral entry - Dec 26 2022

web the syllabus for b tech metallurgical engineering lateral entry includes topics such as thermodynamics and kinetics of

materials extractive metallurgy physical metallurgy

t choupi t choupi veut tout faire tout seul 37 albums t choupi - Apr 11 2023

web t choupi t choupi veut tout faire tout seul 37 albums t choupi courtin thierry amazon com tr kitap

t choupi veut tout faire tout seul histoire pour enfant - Nov 06 2022

web jun 27 2014 1 06 gala vidÉo j étais le seul à tout faire cédrick jubillar pas tendre avec delphine sur l'éducation de leurs enfants gala fr 1 29 ce serait une lumière dans notre histoire elle veut faire un enfant avec son mari mort closer 1 10 histoire pour les enfants t choupi n a plus sommeil dessins animés t choupi dessins animés

t choupi veut tout faire tout seul da s 2 ans 37 2022 - Apr 30 2022

web let s play baby t choupi pack en 2 volumes fête son anniversaire veut tout faire tout seul roadside crosses the white stone pack t choupi n 7 t choupi veut tout faire tout seul t choupi rentre à l'éco la littérature de jeunesse t choupi maman attend un bébé 5 histoires de t choupi livres de france t choupi et le père noël

t choupi veut tout faire tout seul da s 2 ans 37 pdf - Jun 01 2022

web t choupi veut tout faire tout seul da s 2 ans 37 3 3 t choupi va sur le pot t choupi part en pique nique t choupi aime sa nounou t choupi a une petite sœur t choupi a peur de l'orage t choupi ne veut pas prêter naptime presses universitaires de namur a long time ago a mouse learned to fly and crossed the atlantic but what happened

t choupi veut tout faire tout seul da s 2 ans 37 copy - Mar 30 2022

web da s 2 ans 37 santa claus t choupi veut tout faire tout seul the wolf who wanted to be an artist armstrong i can t sleep histoires du soir pour bien dormir comment inventer et raconter des histoires qui font dormir les mika the bear livres de france trouble at timpetill le silence de mon père t choupi pack en 2 volumes fête son

t choupi veut tout faire tout seul lecture youtube - Sep 04 2022

web t choupi veut tout faire tout seul t choupi ne veut plus qu'on l'aide et veut tout faire tout seul s habiller acheter du pain se nourrir se servir et

t choupi veut tout faire tout seul da s 2 ans 37 2022 - Jan 28 2022

web 5 histoires de t choupi t choupi pack en 2 volumes fête son anniversaire veut tout faire tout seul kim jiyong born 1982 a novel little girls la littérature de jeunesse pack t choupi n 7 t choupi veut tout faire tout seul t choupi rentre à l'éco the storm whale trouble at timpetill

amazon fr t choupi veut tout faire tout seul dès 2 ans 37 - Aug 15 2023

web noté 5 retrouvez t choupi veut tout faire tout seul dès 2 ans 37 et des millions de livres en stock sur amazon fr achetez neuf ou d'occasion

t choupi veut tout faire tout seul 37 hardcover abebooks - Jan 08 2023

web on retrouve t choupi dans deux nouvelles aventures sur des thèmes proches du quotidien des petits t choupi se montre toujours curieux enthousiaste parfois boudeur il est entouré par des parents ouverts et à l écoute capables

t choupi veut tout faire tout seul thierry courtin 2092570889 - Oct 05 2022

web aug 21 2023 t choupi veut tout faire tout seul par thierry courtin aux éditions nathan t choupi l ami des petits accompagne l enfant qui grandit des histoires qui racontent la vie des enfants de 2 à 4 ans les grandes joies les temps forts de

t choupi tome 37 t choupi veut tout faire tout seul fnac - Jul 14 2023

web jan 12 2017 grâce à t choupi de nombreux petits problèmes trouvent leur solution tout en douceur dans cette histoire t choupi ne veut plus qu on l aide et veut tout faire tout seul nouveau écoutez la version audio de l histoire en scannant la couverture tous les albums t choupi sont maintenant accompagnés d une

t choupi veut tout faire tout seul teste florence lireka - Aug 03 2022

web acheter t choupi veut tout faire tout seul de teste florence avec livraison gratuite sur lireka com s habiller acheter le pain se servir à table aujourd hui t choupi veut se déb trustpilot livraison à 0 01

download solutions t choupi veut tout faire tout seul da s 2 ans 37 - Feb 26 2022

web this is likewise one of the factors by obtaining the soft documents of this t choupi veut tout faire tout seul da s 2 ans 37 by online you might not require more times to spend to go to the books opening as capably as search for them in some cases you likewise pull off not discover the message t choupi veut tout faire tout seul da s 2 ans 37

t choupi veut tout faire tout seul dès 2 ans nathan - May 12 2023

web t choupi veut tout faire tout seul dès 2 ans de thierry courtin feuilleter t choupi l ami des petits accompagne l enfant qui grandit des histoires qui racontent la vie des enfants de 2 à 4 ans les grandes joies les temps forts de la vie de famille et les petits tracas du quotidien grâce à t choupi de

t choupi s habille tout seul dès 2 ans 44 relié amazon fr - Feb 09 2023

web résumé de cette histoire ce matin t choupi veut mettre son tee shirt préféré et le pantalon offert par mamie mais ce n est pas facile de s habiller tout seul surtout quand t choupi décide de faire le fou en enfilant son slip sur la

t choupi veut tout faire tout seul da s 2 ans 37 arenaserver - Jul 02 2022

web t choupi veut tout faire tout seul da s 2 ans 37 jo z les routes de la vie traité pratique d édition the white stone t choupi prend le train t choupi veut tout faire tout seul naptime t choupi maman attend un bébé i don t want to go to school santa claus the rain t choupi et le père noël daddy gaga super rabbit le figaro magazine

amazon fr commentaires en ligne t 39 choupi veut tout faire tout - Dec 07 2022

web découvrez des commentaires utiles de client et des classements de commentaires pour t choupi veut tout faire tout seul

dès 2 ans 37 sur amazon fr lisez des commentaires honnêtes et non biaisés sur les produits de la part nos utilisateurs
[t choupi veut tout faire tout seul da s 2 ans 37 pdf ftp](#) - Dec 27 2021

web 2 2 t choupi veut tout faire tout seul da s 2 ans 37 2023 07 01 t choupi veut tout faire tout seul da s 2 ans 37 downloaded from ftp adaircountymissouri com by guest mack keenan the first hippo on the moon editions du cercle de la librairie an apocalyptic thriller the rain by virginia bergin is a coming of age story of survival in a
[t choupi veut tout faire tout seul 37 by thierry courtin goodreads](#) - Mar 10 2023

web oct 5 2006 jump to ratings and reviews want to read buy on amazon rate this book t choupi mes petits albums 37 t choupi veut tout faire tout seul thierry courtin illustrator 3 63 8 ratings0 reviews t choupi l ami des petits on retrouve t choupi dans deux nouvelles aventures sur des thèmes proches du quotidien des petits
[t choupi veut tout faire tout seul dès 2 ans 37 by thierry](#) - Jun 13 2023

web bookotroc t choupi tome 37 t choupi veut tout faire tout seul t choupi veut tout faire tout seul histoire pour tlcharger t choupi veut tout faire tout seul ds 2 ans t choupi s habille tout seul label emmas t choupi veut tout faire tout seul ds 2 ans lisez t choupi veut tout faire tout seul detail ermes t

hydrogen the future transportation fuel from production to - Feb 16 2022

web mar 1 2015 hydrogen and fuel cells are considered in many countries as an important alternative energy vector for future sustainable energy systems in the stationary power transportation industrial and residential sectors 8

hydrogen irena - Apr 20 2022

web hydrogen is produced on a commercial basis today it is used as a feedstock in the chemical industry and in refineries as part of a mix of gases in steel production and in heat and power generation global production stands at around 75 mth² yr as pure hydrogen and an additional 45 mth² yr as part of a mix of gases

hydrogen iea international energy agency - Jun 03 2023

web hydrogen hydrogen overview tracking programmes latest findings cumulative emissions reduction by mitigation measure in the net zero scenario 2021 2050 open behaviour and avoided demand te hy renewables electri ccus other fuel shifts iea licence cc by 4 0 hydrogen is an increasingly important piece of the net zero emissions by

hydrogen production technologies from fossil fuels toward - Nov 27 2022

web this study reviews the different hydrogen production technologies available using fossil fuels or renewable resources such as biomass and water currently most hydrogen is produced from fossil fuels because production costs are correlated with fuel prices which remain at acceptable levels

production of hydrogen u s energy information administration - Dec 29 2022

web jun 23 2023 hydrogen production to produce hydrogen it must be separated from the other elements in the molecules

where it occurs hydrogen can be produced from many different sources in different ways to use as a fuel the two most common methods for producing hydrogen are steam methane reforming and electrolysis splitting water

the future of hydrogen analysis iea international energy - Apr 01 2023

web dr fatih birol key findings supplying hydrogen to industrial users is now a major business around the world demand for hydrogen which has grown more than threefold since 1975 continues to rise almost entirely supplied from fossil fuels with 6 of global natural gas and 2 of global coal going to hydrogen production

hydrogen fuel energy uses britannica - Jul 24 2022

web hydrogen fuel energy uses the most important industrial method for the production of hydrogen is the catalytic steam hydrocarbon process in which gaseous or vaporized hydrocarbons are treated with steam at high pressure over a nickel catalyst at 650 950 c to produce carbon oxides and hydrogen $\text{C}_n\text{H}_{2n} + 2\text{H}_2\text{O} \rightarrow n\text{CO} + 2n\text{H}_2$

what is hydrogen fuel new scientist - Aug 25 2022

web advertisement different types of hydrogen production are labelled by colour grey hydrogen is made from fossil fuels using steam reformation it costs about 1 a kilogram blue

hydrogen mit climate portal - May 22 2022

web new to climate change view the mit climate primer explainer hydrogen hydrogen is the lightest chemical element and the most abundant chemical substance in the universe using fossil fuels or clean electricity we can produce hydrogen gas which can be stored transported and burned to provide power

pdf a brief review of hydrogen production methods and - Jun 22 2022

web jan 20 2023 national institute of technology rourkela suprava chakraborty vit university devaraj elangovan abstract and figures hydrogen is emerging as a new energy vector outside of its traditional role and

hydrogen production and distribution alternative fuels data - Jul 04 2023

web several hydrogen production methods are in development thermochemical water splitting high temperatures generated by solar concentrators or nuclear reactors drive chemical photobiological water splitting microbes such as green algae consume water in the presence of sunlight and produce

global hydrogen review 2022 analysis iea - Jan 30 2023

web about this report the global hydrogen review is an annual publication by the international energy agency that tracks hydrogen production and demand worldwide as well as progress in critical areas such as infrastructure development trade policy regulation investments and innovation

an overview of hydrogen production current status potential - May 02 2023

web may 15 2022 hydrogen production pathways via renewable and non renewable sources renewable energy sources

gaining potential as clean energy source to produce H_2 plasmolysis is competitive to electrolysis for H_2 production
plasmolysis is beneficial for its low power consumption and reduced equipment size

executive summary global hydrogen review 2022 analysis - Sep 25 2022

web hydrogen demand reached 94 million tonnes mt in 2021 recovering to above pre pandemic levels 91 mt in 2019 and containing energy equal to about 2.5% of global final energy consumption most of the increase came from traditional uses in refining and industry though demand for new applications grew to about 40 thousand tonnes up

hydrogen production wikipedia - Oct 07 2023

web hydrogen production is the family of industrial methods for generating hydrogen gas there are four main sources for the commercial production of hydrogen natural gas oil coal and electrolysis of water which account for 48 30 18 and 4% of the world's hydrogen production respectively 1

executive summary global hydrogen review 2021 analysis - Oct 27 2022

web a key barrier for low carbon hydrogen is the cost gap with hydrogen from unabated fossil fuels at present producing hydrogen from fossil fuels is the cheapest option in most parts of the world depending on regional gas prices the levelised cost of hydrogen production from natural gas ranges from USD 0.5 to USD 1.7 per kilogramme kg

hydrogen production storage utilisation and environmental - Feb 28 2023

web Oct 6 2021 the former is the more mature and most common used industrially as it is a cost effective method that deploys cracking or reforming fossil based fuels in 2016 hydrogen production globally was about 85 million tonnes used in petroleum metal industry fertiliser food processing semiconductor production power plants and

a review on hydrogen production and utilization challenges and - Mar 20 2022

web Jul 22 2022 the fossil fuels based hydrogen production plants can also be modified or expanded to integrate CCS/CCUS systems to capture the emitted emissions and produce green hydrogen furthermore the key benefits and critical challenges associated with hydrogen production storage transportation and distribution and commercial

hydrogen production processes department of energy - Aug 05 2023

web hydrogen production processes thermochemical processes some thermal processes use the energy in various resources such as natural gas coal or electrolytic processes electrolyzers use electricity to split water into hydrogen and oxygen this technology is well direct solar water splitting

hydrogen fuel basics department of energy - Sep 06 2023

web hydrogen fuel basics thermal processes thermal processes for hydrogen production typically involve steam reforming a high temperature electrolytic processes water can be separated into oxygen and hydrogen through a process called electrolysis solar driven processes solar driven processes use

