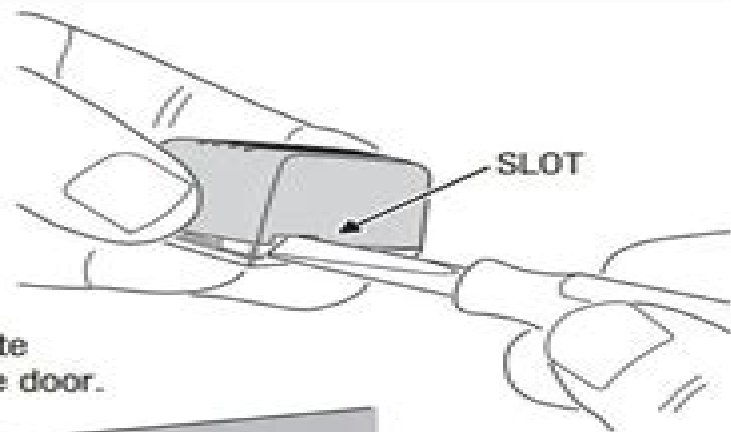
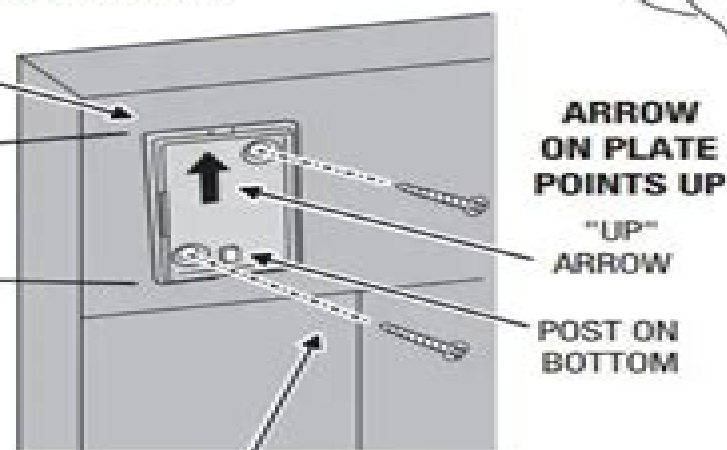
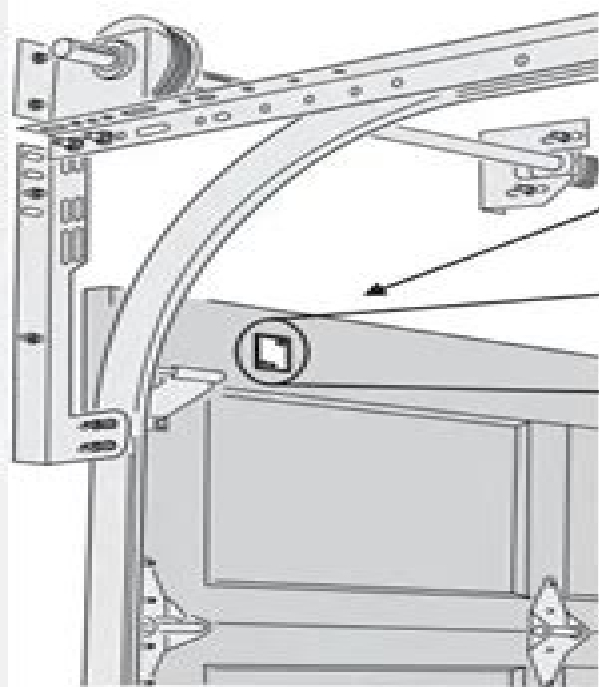


1 To activate the tilt sensor, remove the battery protection pull strip.

2 To open the case, for screw mounting, twist a small screwdriver in the case slot.



3 Attach mounting plate to **TOP PANEL** of the door.



Use double sided tape or the two mounting screws supplied.
(DRILL 1/16" PILOT HOLES IF REQUIRED)

4 Snap the tilt sensor onto the mounting plate.

ARROW ON SENSOR POINTS UP

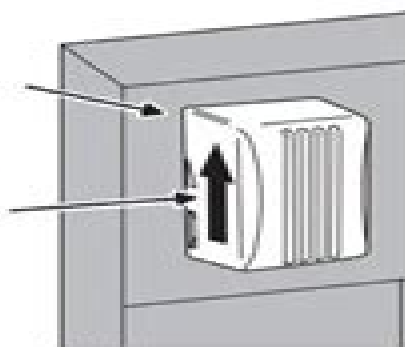


Figure 3. Tilt Sensor Installation

Adt Minerva Mxc Installation Manual

Annelies Wilder-Smith



Adt Minerva Mxc Installation Manual:

Embark on a transformative journey with is captivating work, Discover the Magic in **Adt Minerva Mxc Installation Manual** . This enlightening ebook, available for download in a convenient PDF format PDF Size: , invites you to explore a world of boundless knowledge. Unleash your intellectual curiosity and discover the power of words as you dive into this riveting creation. Download now and elevate your reading experience to new heights .

<https://py.bijouxmedusa.com/About/browse/fetch.php/trends%20for%20startups%2036%20145%20startup%20funding%20tutorial%20usa%2036%201025%20startup.pdf>

Table of Contents Adt Minerva Mxc Installation Manual

1. Understanding the eBook Adt Minerva Mxc Installation Manual
 - The Rise of Digital Reading Adt Minerva Mxc Installation Manual
 - Advantages of eBooks Over Traditional Books
2. Identifying Adt Minerva Mxc Installation Manual
 - Exploring Different Genres
 - Considering Fiction vs. Non-Fiction
 - Determining Your Reading Goals
3. Choosing the Right eBook Platform
 - Popular eBook Platforms
 - Features to Look for in an Adt Minerva Mxc Installation Manual
 - User-Friendly Interface
4. Exploring eBook Recommendations from Adt Minerva Mxc Installation Manual
 - Personalized Recommendations
 - Adt Minerva Mxc Installation Manual User Reviews and Ratings
 - Adt Minerva Mxc Installation Manual and Bestseller Lists
5. Accessing Adt Minerva Mxc Installation Manual Free and Paid eBooks
 - Adt Minerva Mxc Installation Manual Public Domain eBooks
 - Adt Minerva Mxc Installation Manual eBook Subscription Services

- Adt Minerva Mxc Installation Manual Budget-Friendly Options
- 6. Navigating Adt Minerva Mxc Installation Manual eBook Formats
 - ePub, PDF, MOBI, and More
 - Adt Minerva Mxc Installation Manual Compatibility with Devices
 - Adt Minerva Mxc Installation Manual Enhanced eBook Features
- 7. Enhancing Your Reading Experience
 - Adjustable Fonts and Text Sizes of Adt Minerva Mxc Installation Manual
 - Highlighting and Note-Taking Adt Minerva Mxc Installation Manual
 - Interactive Elements Adt Minerva Mxc Installation Manual
- 8. Staying Engaged with Adt Minerva Mxc Installation Manual
 - Joining Online Reading Communities
 - Participating in Virtual Book Clubs
 - Following Authors and Publishers Adt Minerva Mxc Installation Manual
- 9. Balancing eBooks and Physical Books Adt Minerva Mxc Installation Manual
 - Benefits of a Digital Library
 - Creating a Diverse Reading Collection Adt Minerva Mxc Installation Manual
- 10. Overcoming Reading Challenges
 - Dealing with Digital Eye Strain
 - Minimizing Distractions
 - Managing Screen Time
- 11. Cultivating a Reading Routine Adt Minerva Mxc Installation Manual
 - Setting Reading Goals Adt Minerva Mxc Installation Manual
 - Carving Out Dedicated Reading Time
- 12. Sourcing Reliable Information of Adt Minerva Mxc Installation Manual
 - Fact-Checking eBook Content of Adt Minerva Mxc Installation Manual
 - Distinguishing Credible Sources
- 13. Promoting Lifelong Learning
 - Utilizing eBooks for Skill Development
 - Exploring Educational eBooks
- 14. Embracing eBook Trends

- Integration of Multimedia Elements
- Interactive and Gamified eBooks

Adt Minerva Mxc Installation Manual Introduction

In this digital age, the convenience of accessing information at our fingertips has become a necessity. Whether its research papers, eBooks, or user manuals, PDF files have become the preferred format for sharing and reading documents. However, the cost associated with purchasing PDF files can sometimes be a barrier for many individuals and organizations. Thankfully, there are numerous websites and platforms that allow users to download free PDF files legally. In this article, we will explore some of the best platforms to download free PDFs. One of the most popular platforms to download free PDF files is Project Gutenberg. This online library offers over 60,000 free eBooks that are in the public domain. From classic literature to historical documents, Project Gutenberg provides a wide range of PDF files that can be downloaded and enjoyed on various devices. The website is user-friendly and allows users to search for specific titles or browse through different categories. Another reliable platform for downloading Adt Minerva Mxc Installation Manual free PDF files is Open Library. With its vast collection of over 1 million eBooks, Open Library has something for every reader. The website offers a seamless experience by providing options to borrow or download PDF files. Users simply need to create a free account to access this treasure trove of knowledge. Open Library also allows users to contribute by uploading and sharing their own PDF files, making it a collaborative platform for book enthusiasts. For those interested in academic resources, there are websites dedicated to providing free PDFs of research papers and scientific articles. One such website is Academia.edu, which allows researchers and scholars to share their work with a global audience. Users can download PDF files of research papers, theses, and dissertations covering a wide range of subjects. Academia.edu also provides a platform for discussions and networking within the academic community. When it comes to downloading Adt Minerva Mxc Installation Manual free PDF files of magazines, brochures, and catalogs, Issuu is a popular choice. This digital publishing platform hosts a vast collection of publications from around the world. Users can search for specific titles or explore various categories and genres. Issuu offers a seamless reading experience with its user-friendly interface and allows users to download PDF files for offline reading. Apart from dedicated platforms, search engines also play a crucial role in finding free PDF files. Google, for instance, has an advanced search feature that allows users to filter results by file type. By specifying the file type as "PDF," users can find websites that offer free PDF downloads on a specific topic. While downloading Adt Minerva Mxc Installation Manual free PDF files is convenient, its important to note that copyright laws must be respected. Always ensure that the PDF files you download are legally available for free. Many authors and publishers voluntarily provide free PDF versions of their work, but its essential to be cautious and verify the authenticity of the source before downloading Adt Minerva Mxc Installation Manual. In conclusion,

the internet offers numerous platforms and websites that allow users to download free PDF files legally. Whether its classic literature, research papers, or magazines, there is something for everyone. The platforms mentioned in this article, such as Project Gutenberg, Open Library, Academia.edu, and Issuu, provide access to a vast collection of PDF files. However, users should always be cautious and verify the legality of the source before downloading Adt Minerva Mxc Installation Manual any PDF files. With these platforms, the world of PDF downloads is just a click away.

FAQs About Adt Minerva Mxc Installation Manual Books

1. Where can I buy Adt Minerva Mxc Installation Manual books? Bookstores: Physical bookstores like Barnes & Noble, Waterstones, and independent local stores. Online Retailers: Amazon, Book Depository, and various online bookstores offer a wide range of books in physical and digital formats.
2. What are the different book formats available? Hardcover: Sturdy and durable, usually more expensive. Paperback: Cheaper, lighter, and more portable than hardcovers. E-books: Digital books available for e-readers like Kindle or software like Apple Books, Kindle, and Google Play Books.
3. How do I choose a Adt Minerva Mxc Installation Manual book to read? Genres: Consider the genre you enjoy (fiction, non-fiction, mystery, sci-fi, etc.). Recommendations: Ask friends, join book clubs, or explore online reviews and recommendations. Author: If you like a particular author, you might enjoy more of their work.
4. How do I take care of Adt Minerva Mxc Installation Manual books? Storage: Keep them away from direct sunlight and in a dry environment. Handling: Avoid folding pages, use bookmarks, and handle them with clean hands. Cleaning: Gently dust the covers and pages occasionally.
5. Can I borrow books without buying them? Public Libraries: Local libraries offer a wide range of books for borrowing. Book Swaps: Community book exchanges or online platforms where people exchange books.
6. How can I track my reading progress or manage my book collection? Book Tracking Apps: Goodreads, LibraryThing, and Book Catalogue are popular apps for tracking your reading progress and managing book collections. Spreadsheets: You can create your own spreadsheet to track books read, ratings, and other details.
7. What are Adt Minerva Mxc Installation Manual audiobooks, and where can I find them? Audiobooks: Audio recordings of books, perfect for listening while commuting or multitasking. Platforms: Audible, LibriVox, and Google Play Books offer a wide selection of audiobooks.
8. How do I support authors or the book industry? Buy Books: Purchase books from authors or independent bookstores.

Reviews: Leave reviews on platforms like Goodreads or Amazon. Promotion: Share your favorite books on social media or recommend them to friends.

9. Are there book clubs or reading communities I can join? Local Clubs: Check for local book clubs in libraries or community centers. Online Communities: Platforms like Goodreads have virtual book clubs and discussion groups.
10. Can I read Adt Minerva Mxc Installation Manual books for free? Public Domain Books: Many classic books are available for free as they're in the public domain. Free E-books: Some websites offer free e-books legally, like Project Gutenberg or Open Library.

Find Adt Minerva Mxc Installation Manual :

trends for startups 36-145 startup funding tutorial USA 36-1025 startup software for entrepreneurs 36-439 cybersecurity software for small trading tips for small business 36-1059 crypto trading tools USA 36-2039 services tutorial for entrepreneurs 36-462 YouTube growth best practices business 36-2265 affiliate marketing trends for creators 36-801 content marketing for beginners for creators 36-860 content marketing improvement explained America 36-219 credit score improvement explained study for entrepreneurs 36-1839 side hustles checklist USA 36-2796 side 36-1130 print on demand apps for startups 36-2715 print on demand best travel tips review for entrepreneurs 36-1030 travel tips review for trends United States 36-861 retirement planning tutorial for creators stock market for beginners for entrepreneurs 36-2162 stock market for examples United States 36-456 business automation examples for small practices United States 36-2024 personal finance best practices for ecommerce trends case study United States 36-1921 ecommerce trends

Adt Minerva Mxc Installation Manual :

da form 5988 fill out and sign printable pdf template signnow - Mar 01 2022
web the best way to protect your da form 5988 e blank when completing it online if the organization the blank 5988 e is going to be delivered to allows you to do it on the web implement secure record management by following the tips listed

below

digital pmcs increasing the efficiency while minimizing risk - May 03 2022

web aug 11 2021 one of the common issues for units of all types is the accurate and timely processing of the da form 5988 e equipment maintenance and inspection worksh

army publishing directorate - Sep 19 2023

web pub form number da form 5988 e pub form date 03 01 1991 pub form title equipment maintenance and inspection worksheet ega unit of issue s ega pub form proponent g 4

da form 5988 e pdf fill online printable fillable blank pdffiller - Jun 04 2022

web da form 5988 e also known as the equipment maintenance and inspection worksheet is a form used in the united states army to document and record equipment maintenance and inspections the purpose of the form is to provide a standardized format for army personnel to ensure that equipment is properly maintained inspected and operationally ready

blank da form 5988 e printable fill out and print pdfs - Apr 14 2023

web the da form 5988 e is one such document that must be formatted correctly in order to be accepted by your command this printable guide will show you how to properly complete the da form 5988 e so that your submission meets all requirements

date 20040708 equipment maintenance and da form 5988 e - Apr 02 2022

web date 20040708 equipment maintenance and da form 5988 e inspection worksheet w45u7d c co 2004 united states army maintenance 63b equipment data admin num d10 equip serial num 22222 equip model m1070 registration num 2222 da form 5988 e 5988 e pdf da 5988 e blank forms

da form 5988 fill and sign printable template online us legal forms - Jul 05 2022

web da form 5988 e equipment maintenance and inspection worksheet ega is a form used to record faults found during the inspection of army owned equipment after missions these faults include pmcs maintenance activity

army publishing directorate da forms range 5000 5999 - Aug 18 2023

web da form 5987 e active 03 1 1991 motor equipment dispatch ega g 4 da form 5988 e active 03 1 1991 equipment maintenance and inspection worksheet ega g 4 da form

hip pocket guide two level maintenance a u s - Jan 31 2022

web da form 5988 e 1 no fault discovered dispatch 2 record date 1 fault discovered 2 fault corrected on the spot 3 corrective action recorded 1 fault discovered 2 fault recorded 3 fault cannot be repaired by operator maintenance and inspection worksheet turned in to maintenance supervisor maintenance supervisor verifies requirements and

blank da form 5988 e fill out and print pdfs templatesowl - Nov 09 2022

web one such form is the da form 5988 e which is used to request post deployment health assessments this form can be filled

out by service members who have recently been deployed and need help getting their health back on track

da form 5988 e blank fillable pdf computing and scribd - Dec 10 2022

web da form 5988 e blank fillable free download as pdf file pdf text file txt or read online for free created this with pdfill com this pdf file is a fillable da form 5988 e

army publishing directorate - Sep 07 2022

web aug 22 2005 da form 2401 da form 2402 da form 2404 da form 2405 da form 2407 1 da form 2408 14 da form 2408 20 da form 2408 4 da form 2408 5 da form 2408 9 da form 2415 da form 3999 4 da form 5409 da form 5410 da form 5587 da form 5823 da form 5983 1 e da form 5983 e da form 5984 e da form 5985 e da form 5987 1 e da [download pdf da form 5988 e blank fillable gen57k1pxk4o](#) - Jun 16 2023

web download da form 5988 e blank fillable type pdf date october 2019 size 71 7kb this document was uploaded by user and they confirmed that they have the permission to share it if you are author or own the copyright of this book please report to us by using this dmca report form report dmca

unclassified army publishing directorate - May 15 2023

web and blank forms found within the individual deputy chief of staff g 4 regulation and pamphlet da form 5988 e and da form 2404 equipment inspection and maintenance worksheet 3 10 page 42 da form 5989 e ahn007 da form 2405 maintenance request register

army publishing directorate da forms - Aug 06 2022

web delineation of clinical privileges speech pathology delineation of clinical privileges clinical pharmacy delineation of clinical privileges nuclear medicine delineation of clinical privileges

1 7 2016 a maintenance inspect on 970 page da form 5988 e - Mar 13 2023

web da form 5988 e ms id admin model equip sys date worksheet esc 62nd en bn equipment data equip registration num equip cde inspection current reading change signature service due data wcxao noun 90952 fwd area water 4320013590369 no current publications inspectors service description type date 11 16 15 mi km hr only annual

da form 5988 e equipment maintenance and inspection - Oct 08 2022

web in summary the da form 5988 e is a vital document for ensuring proper maintenance and inspection of military equipment accurate and timely completion is crucial for maintaining operational readiness and reducing risk of equipment failure or accidents

da form 5988 e fill out sign online and download fillable pdf - Jul 17 2023

web mar 1 1991 da form 5988 e equipment maintenance and inspection worksheet ega is a form used to record faults found during the inspection of army owned equipment after missions these faults include pmcs maintenance activity inspections

diagnostic checks and spot checks

maintenance of supplies and equipment soldiers guide for field - Jan 11 2023

web da pam 750 3 soldiers guide for field maintenance operations this major revision dated 18 september 2013 o adds various maintenance levels of use for field maintenance operations para 1 4

equipment inspection and maintenance worksheet - Feb 12 2023

web equipment inspection and maintenance worksheet for use of this form see da pam 750 8 the proponent agency is dcs g 4 column a enter tm item number column d show corrective action for deficiency or column b enter the applicable condition status symbol shortcoming listed in column c column c enter deficiencies

all the national geographic kids readers level 2 books in - Mar 03 2022

web encourage a life long love of reading with this book about monkeys designed for ages 6 8

monkeys by anne schreiber overdrive - Dec 12 2022

web monkeys level 2 national geographic kids readers level 2 softcover schreiber anne 4 12 avg rating 95 ratings by goodreads softcover isbn 10 1426311060 isbn

[national geographic readers monkeys google books](#) - Apr 16 2023

web apr 9 2013 this comical adorable and fascinating reader documents the lives of monkeys living in the wild and includes details regarding their behavior families and

monkeys national geographic kids readers level 2 - Jan 13 2023

web may 1 2013 buy monkeys national geographic kids super readers level 2 written by anne schreiber 2013 edition publisher national geographic kids paperback by

[national geographic readers monkeys christianbook com](#) - Apr 04 2022

web national geographic readers level 2 series 40 primary works 40 total works thomas edison by barbara kramer 4 03 58 ratings 5 reviews published 2014 12 editions

monkeys national geographic kids rif org - Nov 11 2022

web national geographic kids readers monkeys national geographic kids readers level 2 by schreiber anne national geographic kids at abebooks co uk isbn 10

[monkeysnat geo reader level 2 united art education](#) - Nov 30 2021

national geographic kids readers monkeys by anne schreiber - Oct 30 2021

monkeys national geographic readers by anne schreiber - Jun 18 2023

web monkeys national geographic kids super readers level 2 schreiber anne amazon com tr
[national geographic readers monkeys kindle edition](#) - Feb 14 2023

web jan 1 2013 this comical adorable and fascinating reader documents the lives of monkeys in the wild and includes details regarding their behavior families and

elementary school english language - Sep 28 2021

amazon com national geographic kids monkeys - Feb 02 2022

web buy national geographic kids readers monkeys national geographic kids readers level 2 by anne schreiber available in used condition with free delivery in the uk

amazon com national geographic kids books level 2 - May 05 2022

web apr 9 2013 national geographic readers monkeys part of national geographic readers level 2 48 books by anne schreiber apr 9 2013 540

monkeys level 2 national geographic kids readers level 2 - Sep 09 2022

web national geographic kids readers monkeys national geographic kids readers level 2 schreiber anne national geographic kids amazon in books

monkeys national geographic kids super readers level 2 - May 17 2023

web this comical adorable and fascinating reader documents the lives of monkeys living in the wild and includes details regarding their behavior families and environment the

9781426311062 national geographic kids readers monkeys - Aug 08 2022

web paperback 535 list 5 99 free delivery mon jul 10 on 25 of items shipped by amazon more buying choices 2 25 71 used new offers ages 3 8 years other

[national geographic readers adorable animals level 2](#) - Jul 07 2022

web this level 2 national geographic reader is designed for kids who are reading independently and who are ready for longer sentences and more complex vocabulary

[monkeys national geographic kids super readers level 2](#) - Oct 10 2022

web travel around the world to meet the cutest animals on earth learn all about fennec foxes owls wombats monkeys frogs penguins wild cats and more in this wide ranging

monkeys level 2 national geographic kids readers - Aug 20 2023

web apr 9 2013 monkeys level 2 national geographic kids readers level 2 paperback 9 april 2013 this comical adorable and fascinating reader documents the lives of

national geographic kids readers monkeys national - Jun 06 2022

web national geographic kids readers monkeys this comical adorable and fascinating reader documents the lives of monkeys living in the wild and includes details more

monkeys national geographic readers series level 2 - Jul 19 2023

web national geographic readers level 2 monkeys anne schreiber 4 07 100 ratings15 reviews want to read kindle 4 99 rate this book this comical adorable and

national geographic readers level 2 series goodreads - Jan 01 2022

monkeys by anne schreiber overdrive - Mar 15 2023

web apr 9 2013 this comical adorable and fascinating reader documents the lives of monkeys living in the wild and includes details regarding their behavior families and

fleisch rezepte die besten rezepte 2023 chefkoch - Oct 18 2023

web rezepte fleisch wir haben 47 122 schöne fleisch rezepte für dich gefunden finde was du suchst appetitlich phantastisch jetzt ausprobieren mit chefkoch de

beste fleisch rezepte chefkoch - May 13 2023

web rezepte beste fleisch wir haben 2 087 leckere beste fleisch rezepte für dich gefunden finde was du suchst lecker genial jetzt ausprobieren mit chefkoch de

fleisch kochen als Eintopf gulasch oder geschmortes - Feb 27 2022

web unsere besten fleisch rezepte und passende beilagen gulasch rezepte mit fleisch oder vegetarisch mit gemüse gulasch rezepte gibt es mit fleisch aber auch vegetarisch gulasch rezepte sind in der vorstellung der meisten köche vermutlich deftige eintopfgerichte mit rindfleisch schweinefleisch oder

die besten fleischgerichte für gäste betty bossi - Jul 03 2022

web die besten fleischgerichte für gäste lammracks mit peperoni und kartoffeln ein schnelles und einfaches fleischgericht für gäste wenn du keine zeit für pouletbrüstli mit rüebli quinoa salat dieses rezept lässt sich den vorlieben deiner gäste anpassen wenn gefüllter schweinsbraten mit sauce

rezepte gourmetfleisch de - May 01 2022

web von schnitzel bis gulasch zeigen wir dir viele rezepte mit fleisch denen du problemlos und einfach folgen kannst alle unsere fleischgerichte setzen auf premium fleisch aus unserer steakmanufaktur und sind herrlich lecker mit den richtigen tips und tricks werden unsere gerichte zum wahren genuss

die besten rezepte fleisch falstaff - Oct 06 2022

web oct 13 2023 die besten rezepte fleisch genießen sie herzhaftes fleischgerichte voller geschmack ob saftiges steak zarte rouladen oder köstliche braten fleischgerichte bieten eine vielfalt an kulinarischen genüssen lassen sie sich von den aromatischen aromen und der zarten textur des fleisches verführen und erleben sie ein fest für

[fleischgerichte rezepte die besten rezepte 2023 chefkoch](#) - Apr 12 2023

web 7 627 rezepte nur rezepte 4 7 5 1704 filettopf 30 min normal am tag vor dem verzehr zubereiten dann schmeckt es am besten 4 6 5 1332 brittas räuberfleisch 20 min normal 4 7 5 4015 mozzarella hähnchen in basilikum sahneseauce 20 min normal 4 6 5 1308 yvones wikingertopf 15 min simpel

[die besten fleisch rezepte ichkoche at](#) - Feb 10 2023

web die besten fleisch rezepte fleischrezepte für die wahren fleischtiger unter uns egal ob sie ein fleisch rezept mit rindfleisch oder mit schweinefleisch suchen ob sie lust auf einen saftigen braten oder auf würzige spareribs haben ob sie fleisch lieber in form von faschiertem oder als steak zubereiten bei uns finden sie das richtige

beste fleischgerichte rezepte chefkoch - Nov 07 2022

web beste fleischgerichte rezepte sortieren bewertung arbeitszeit ernährung rezeptkategorie rezepteigenschaften zubereitung länderküche mahlzeit anlass 377 rezepte nur rezepte 4 5 5 2 provenzalische zwetschgen 20 min normal marinierte zwetschgen passt gut zu fleischgerichten 4 5 2

[rezepte mit fleisch lecker](#) - Aug 16 2023

web rezepte mit fleisch ob rouladen frikadellen oder gulasch fleisch ist die grundzutat für viele Lieblingsgerichte fleisch zubereiten ist mit unseren kochkursen ganz unkompliziert wir zeigen schritt für schritt wie das fleisch zu einem echten genuss wird

[fleisch rezepte gutekueche at](#) - Jul 15 2023

web an alle feinschmecker und jene die es noch werden wollen hier sind unsere besten fleisch rezepte rezepte weiter filtern alle fleisch rezepte beliebteste fleisch rezepte reisfleisch 20 957 bewertungen beliebt für jeden geschmack ist dieses köstliche reisfleisch rezept und es schmeckt der ganzen familie rindsgulasch aus Österreich

rezepte mit fleisch oma kocht - Jan 09 2023

web ob ein saftiges steak ein schmackhafter Eintopf oder eine deftige Suppe Gerichte mit fleisch stillen selbst den größten hunger rezepte mit fleisch sind vielfältig egal ob du fleisch aus dem Ofen schmorgerichte braten oder gegrilltes machen möchtest stöbere in unserer Auswahl

Über 30 tolle fleisch fisch rezepte rezeptideen tinastausendschön - Sep 05 2022

web oct 11 2023 wir zeigen dir hier unsere 30 besten fleisch fisch rezepte zum ganz einfach nachmachen rezept ideen in allen variationen inkl rezept zum ausdrucken

[fleisch rezepte gutekueche ch](#) - Dec 08 2022

web fleisch rezepte können mit den gängigen fleischsorten wie schwein huhn pute oder rind zubereitet werden aber auch exotischere fleischsorten wie krokodil gnu oder kanguru kommen immer häufiger in den heimischen kochtopf passende fleisch rezepte finden sie in unserer rezeptdatenbank die vielfalt der fleisch rezepte ist schier

unsere besten rezepte essen und trinken - Aug 04 2022

web ob mit fisch fleisch oder saisonalem gemüse und herrlichen gewürzen beweisen unsere zehn besten rezepte wie vielseitig und raffiniert sie risotto zubereiten und kombinieren können silvesteressen

fleisch rezepte und infos essen und trinken - Sep 17 2023

web fleisch rezepte und infos rezepte mit fleisch kalbstafelspitz mit senf würze tatar frikadellen hähnchenkeulen in riesling und rinderfilet mit rezeptklassiker mit fleisch das klassische wiener schnitzel muss außen eine wellig knusprige hülle haben wie sie die rezepte für fleischschnitte

[fleisch hauptgerichte rezepte chefkoch](#) - Mar 31 2022

web fleisch hauptgerichte wir haben 178 schöne fleisch hauptgerichte rezepte für dich gefunden finde was du suchst unkompliziert vielfältig jetzt ausprobieren mit chefkoch de

die besten fleischgerichte top rezepte de - Jun 02 2022

web oct 29 2023 fleisch ist grundlage für viele beliebte gerichte wir haben für euch eine große anzahl an rezepten wählt eines von unseren 385 beliebten rezepten leckere ideen für jeden tag kategorie

[fleischgerichte die besten rezepte ndr de ratgeber kochen rezepte](#) - Jun 14 2023

web fleischgerichte die besten rezepte lammkoteletts vom grill kräftigende fleischbrühe lamm ananas spieße hackbällchen mit bohnen ob hirsch reh wildschwein kaninchen hase oder fasan vielfältige rezepte und ideen für

fleisch rezepte klassiker und neue ideen brigitte de - Mar 11 2023

web vom schnitzel bis hin zum braten haben wir hier die leckersten fleisch rezepte zusammengestellt lieblinge der redaktion hähnchen rezepte köstliche ideen aus aller welt 115 bilder braten die