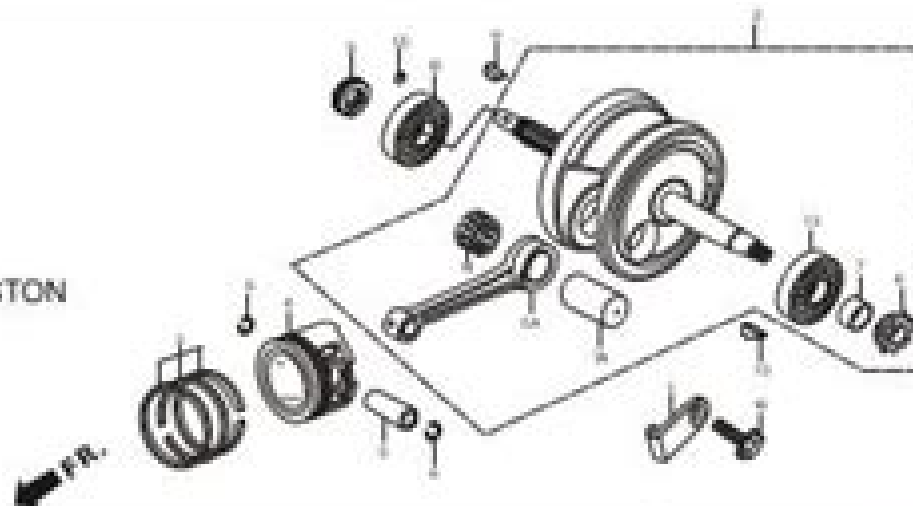


E-9 CRANK SHAFT/PISTON



Service Item	P.A.T.	Qty.	Part No.	Description	Repl. No./New COVER SPLINDOR	
					COVER BELT	
					SPARK	LAST
*CRANK SHAFT COMP.	4.0	1	13004-K7C-000	PLATE, BEARING SET	0	0
*RING SET, PISTON	1.0	0	13005-K7C-000	CRANK SHAFT COMP.	1	1
*RING OIL						
*RING PISTON	1.0	0	13006-K7C-000	RING SET, PISTON (STD)	1	1
*RING CORRECTING (ACTUAL, TIME)			13007-K7C-000	RING SET, PISTON (J2 S. 0.25)	(1)	(1)
*BEARING MAIN, FRONT, STD	4.0		13008-K7C-000	RING SET, PISTON (J2 S. 0.50)	(1)	(1)
*RING OIL FOR SPARK			13009-K7C-000	RING SET, PISTON (J2 S. 0.75)	(1)	(1)
			13010-K7C-000	RING SET, PISTON (J2 S. 1.00)	(1)	(1)
		4	13011-K7C-000	PISTON (STD)	1	1
			13012-K7C-000	PISTON (J2 S. 0.25)	(1)	(1)
			13013-K7C-000	PISTON (J2 S. 0.50)	(1)	(1)
			13014-K7C-000	PISTON (J2 S. 0.75)	(1)	(1)
			13015-K7C-000	PISTON (J2 S. 1.00)	(1)	(1)
		0	13016-K7C-000	PIN, PISTON	1	1
		0	13017-K7C-000	PISTON PIN CLIP	2	2
		54	13018-K7C-000	ROD, CONNECTING	1	1
		7	13019-K7C-000	COLLAR, CRANK SHAFT LEFT	1	1
		104	13020-K7C-000	PIN, CRANK	1	1
		0	13021-K7C-000	SPROCKET TIE ROD	1	1
		0	13022-K7C-000	GEAR OIL, PLAIN (100)	1	1

Hero Honda Splendor Engine Diagram

Katrin Zwirglmaier



Hero Honda Splendor Engine Diagram:

Intelligent Manufacturing and Energy Sustainability A.N.R. Reddy,Deepak Marla,Milan Simic,Margarita N. Favorskaya,Suresh Chandra Satapathy,2020-02-14 This book includes selected high quality papers presented at the International Conference on Intelligent Manufacturing and Energy Sustainability ICIMES 2019 held at the Department of Mechanical Engineering Malla Reddy College of Engineering Technology MRCET Maisammaguda Hyderabad India from 21 to 22 June 2019 It covers topics in the areas of automation manufacturing technology and energy sustainability **Mergent International Manual** ,2001

Recognizing the quirk ways to get this books **Hero Honda Splendor Engine Diagram** is additionally useful. You have remained in right site to begin getting this info. acquire the Hero Honda Splendor Engine Diagram connect that we pay for here and check out the link.

You could purchase lead Hero Honda Splendor Engine Diagram or acquire it as soon as feasible. You could speedily download this Hero Honda Splendor Engine Diagram after getting deal. So, considering you require the book swiftly, you can straight acquire it. Its fittingly utterly simple and as a result fats, isnt it? You have to favor to in this spread

https://py.bijouxmedusa.com/files/browse/fetch.php/Human_Digestive_System_Crossword_Answer_Key.pdf

Table of Contents Hero Honda Splendor Engine Diagram

1. Understanding the eBook Hero Honda Splendor Engine Diagram
 - The Rise of Digital Reading Hero Honda Splendor Engine Diagram
 - Advantages of eBooks Over Traditional Books
2. Identifying Hero Honda Splendor Engine Diagram
 - Exploring Different Genres
 - Considering Fiction vs. Non-Fiction
 - Determining Your Reading Goals
3. Choosing the Right eBook Platform
 - Popular eBook Platforms
 - Features to Look for in an Hero Honda Splendor Engine Diagram
 - User-Friendly Interface
4. Exploring eBook Recommendations from Hero Honda Splendor Engine Diagram
 - Personalized Recommendations
 - Hero Honda Splendor Engine Diagram User Reviews and Ratings
 - Hero Honda Splendor Engine Diagram and Bestseller Lists
5. Accessing Hero Honda Splendor Engine Diagram Free and Paid eBooks

- Hero Honda Splendor Engine Diagram Public Domain eBooks
 - Hero Honda Splendor Engine Diagram eBook Subscription Services
 - Hero Honda Splendor Engine Diagram Budget-Friendly Options
6. Navigating Hero Honda Splendor Engine Diagram eBook Formats
 - ePub, PDF, MOBI, and More
 - Hero Honda Splendor Engine Diagram Compatibility with Devices
 - Hero Honda Splendor Engine Diagram Enhanced eBook Features
 7. Enhancing Your Reading Experience
 - Adjustable Fonts and Text Sizes of Hero Honda Splendor Engine Diagram
 - Highlighting and Note-Taking Hero Honda Splendor Engine Diagram
 - Interactive Elements Hero Honda Splendor Engine Diagram
 8. Staying Engaged with Hero Honda Splendor Engine Diagram
 - Joining Online Reading Communities
 - Participating in Virtual Book Clubs
 - Following Authors and Publishers Hero Honda Splendor Engine Diagram
 9. Balancing eBooks and Physical Books Hero Honda Splendor Engine Diagram
 - Benefits of a Digital Library
 - Creating a Diverse Reading Collection Hero Honda Splendor Engine Diagram
 10. Overcoming Reading Challenges
 - Dealing with Digital Eye Strain
 - Minimizing Distractions
 - Managing Screen Time
 11. Cultivating a Reading Routine Hero Honda Splendor Engine Diagram
 - Setting Reading Goals Hero Honda Splendor Engine Diagram
 - Carving Out Dedicated Reading Time
 12. Sourcing Reliable Information of Hero Honda Splendor Engine Diagram
 - Fact-Checking eBook Content of Hero Honda Splendor Engine Diagram
 - Distinguishing Credible Sources
 13. Promoting Lifelong Learning
 - Utilizing eBooks for Skill Development

- Exploring Educational eBooks
14. Embracing eBook Trends
- Integration of Multimedia Elements
 - Interactive and Gamified eBooks

Hero Honda Splendor Engine Diagram Introduction

In today's digital age, the availability of Hero Honda Splendor Engine Diagram books and manuals for download has revolutionized the way we access information. Gone are the days of physically flipping through pages and carrying heavy textbooks or manuals. With just a few clicks, we can now access a wealth of knowledge from the comfort of our own homes or on the go. This article will explore the advantages of Hero Honda Splendor Engine Diagram books and manuals for download, along with some popular platforms that offer these resources. One of the significant advantages of Hero Honda Splendor Engine Diagram books and manuals for download is the cost-saving aspect. Traditional books and manuals can be costly, especially if you need to purchase several of them for educational or professional purposes. By accessing Hero Honda Splendor Engine Diagram versions, you eliminate the need to spend money on physical copies. This not only saves you money but also reduces the environmental impact associated with book production and transportation. Furthermore, Hero Honda Splendor Engine Diagram books and manuals for download are incredibly convenient. With just a computer or smartphone and an internet connection, you can access a vast library of resources on any subject imaginable. Whether you're a student looking for textbooks, a professional seeking industry-specific manuals, or someone interested in self-improvement, these digital resources provide an efficient and accessible means of acquiring knowledge. Moreover, PDF books and manuals offer a range of benefits compared to other digital formats. PDF files are designed to retain their formatting regardless of the device used to open them. This ensures that the content appears exactly as intended by the author, with no loss of formatting or missing graphics. Additionally, PDF files can be easily annotated, bookmarked, and searched for specific terms, making them highly practical for studying or referencing. When it comes to accessing Hero Honda Splendor Engine Diagram books and manuals, several platforms offer an extensive collection of resources. One such platform is Project Gutenberg, a nonprofit organization that provides over 60,000 free eBooks. These books are primarily in the public domain, meaning they can be freely distributed and downloaded. Project Gutenberg offers a wide range of classic literature, making it an excellent resource for literature enthusiasts. Another popular platform for Hero Honda Splendor Engine Diagram books and manuals is Open Library. Open Library is an initiative of the Internet Archive, a non-profit organization dedicated to digitizing cultural artifacts and making them accessible to the public. Open Library hosts millions of books, including both public domain works and contemporary titles. It also allows users to borrow digital copies of certain books for a limited period, similar to a library.

lending system. Additionally, many universities and educational institutions have their own digital libraries that provide free access to PDF books and manuals. These libraries often offer academic texts, research papers, and technical manuals, making them invaluable resources for students and researchers. Some notable examples include MIT OpenCourseWare, which offers free access to course materials from the Massachusetts Institute of Technology, and the Digital Public Library of America, which provides a vast collection of digitized books and historical documents. In conclusion, Hero Honda Splendor Engine Diagram books and manuals for download have transformed the way we access information. They provide a cost-effective and convenient means of acquiring knowledge, offering the ability to access a vast library of resources at our fingertips. With platforms like Project Gutenberg, Open Library, and various digital libraries offered by educational institutions, we have access to an ever-expanding collection of books and manuals. Whether for educational, professional, or personal purposes, these digital resources serve as valuable tools for continuous learning and self-improvement. So why not take advantage of the vast world of Hero Honda Splendor Engine Diagram books and manuals for download and embark on your journey of knowledge?

FAQs About Hero Honda Splendor Engine Diagram Books

What is a Hero Honda Splendor Engine Diagram PDF? A PDF (Portable Document Format) is a file format developed by Adobe that preserves the layout and formatting of a document, regardless of the software, hardware, or operating system used to view or print it. **How do I create a Hero Honda Splendor Engine Diagram PDF?** There are several ways to create a PDF: Use software like Adobe Acrobat, Microsoft Word, or Google Docs, which often have built-in PDF creation tools. Print to PDF: Many applications and operating systems have a "Print to PDF" option that allows you to save a document as a PDF file instead of printing it on paper. Online converters: There are various online tools that can convert different file types to PDF. **How do I edit a Hero Honda Splendor Engine Diagram PDF?** Editing a PDF can be done with software like Adobe Acrobat, which allows direct editing of text, images, and other elements within the PDF. Some free tools, like PDFescape or Smallpdf, also offer basic editing capabilities. **How do I convert a Hero Honda Splendor Engine Diagram PDF to another file format?** There are multiple ways to convert a PDF to another format: Use online converters like Smallpdf, Zamzar, or Adobe Acrobats export feature to convert PDFs to formats like Word, Excel, JPEG, etc. Software like Adobe Acrobat, Microsoft Word, or other PDF editors may have options to export or save PDFs in different formats. **How do I password-protect a Hero Honda Splendor Engine Diagram PDF?** Most PDF editing software allows you to add password protection. In Adobe Acrobat, for instance, you can go to "File" -> "Properties" -> "Security" to set a password to restrict access or editing capabilities. Are there any free alternatives to Adobe Acrobat for working with PDFs? Yes, there are

many free alternatives for working with PDFs, such as: LibreOffice: Offers PDF editing features. PDFsam: Allows splitting, merging, and editing PDFs. Foxit Reader: Provides basic PDF viewing and editing capabilities. How do I compress a PDF file? You can use online tools like Smallpdf, ILovePDF, or desktop software like Adobe Acrobat to compress PDF files without significant quality loss. Compression reduces the file size, making it easier to share and download. Can I fill out forms in a PDF file? Yes, most PDF viewers/editors like Adobe Acrobat, Preview (on Mac), or various online tools allow you to fill out forms in PDF files by selecting text fields and entering information. Are there any restrictions when working with PDFs? Some PDFs might have restrictions set by their creator, such as password protection, editing restrictions, or print restrictions. Breaking these restrictions might require specific software or tools, which may or may not be legal depending on the circumstances and local laws.

Find Hero Honda Splendor Engine Diagram :

human digestive system crossword answer key

[hueber planetino 1 lehrerhandbuch 10 tests](#)

horngren cost accounting solutions norcap

huizinga waning of the middle ages

hbj 79 toyota landcruiser workshop manual

how europe underdeveloped africa walter rodney

hope a memoir of survival in cleveland pdf

[household energy usage gizmo answer key](#)

hsc english second paper cambrian college gilak

hp officejet pro l7780 user manual

i pagliacci michigan opera theatre

[html5 multiple choice quiz template with answers](#)

illusion honey select official dlc mods hf patch

i am radar reif larsen

[hotel california easy music notes](#)

Hero Honda Splendor Engine Diagram :

dynastie des esclaves wikipédia - Jun 20 2022

web la dynastie des esclaves ou dynastie ilbarîde 1206 1290 du nom de la tribu turque des ilbarî connue aussi sous le nom de dynastie des ghulâms ourdou غولامان غلامان hindi ग़लाम ग़लाम ou des mamlûks esclaves dirige le sultanat de delhi en inde de 1206 à 1290 muhammad ghûrî sultan de

I Île des esclaves fiche de lecture encyclopædia universalis - Oct 25 2022

web c est l île des esclaves une île colonisée par des esclaves révoltés de la grèce qui l ont soumise à leurs lois À la suite d un naufrage iphicrate un jeune noble athénien a été jeté sur ce rivage avec son serviteur arlequin

I azle des esclaves la colonie suivi d un parcours copy - Feb 26 2023

web l azle des esclaves la colonie suivi d un parcours downloaded from data northitalia com by guest hooper hull marivaux l île des esclaves john benjamins publishing basic notions in the field of creole studies including the category of creole languages itself have been questioned in recent years can creoles be

[l azle des esclaves cyberlab sutd edu sg](#) - Oct 05 2023

web l île des esclaves de marivaux fiche de lecture oct 09 2022 cette fiche de lecture sur l île des esclaves de marivaux propose une analyse complète un résumé de l île des esclaves une analyse des personnages une présentation des axes d analyse du livre appréciée des lycéens cette fiche

l azle des esclaves oldcove com - Apr 18 2022

web l azle des esclaves 2 downloaded from oldcove com on 2019 09 03 by guest au cimetière des esclaves de saint paul une cérémonie pour se outre mer la 1ère antilles guyane fifac les chaînes du réseau la 1ère megazap la bataille de pointe à pitre une page glorieuse et méconnue de l france antilles guadeloupe

esclave turque wikipédia - Mar 18 2022

web esclave turque en italien schiava turca est une peinture à huile sur bois réalisée par parmigianino conservée à la galerie nationale de parme en italie le titre de esclave turque provient de l interprétation erronée de la coiffure assimilée à un turban il s agit en fait d un balzo rebond coiffe typique

[read free l azle des esclaves la colonie suivi d un parcours](#) - Jan 28 2023

web du monde de l amiral anglais george anson et de son équipage le texte décrit leurs aventures sur une île étrange dont les habitants nommés frivolites sont tout entiers occupés de modes de coiffures de romans et de desserts historiés cette parodie chatoyante présente un tableau sévère mais enjoué de la france des premières

[l Île des esclaves wikipédia](#) - Jul 22 2022

web l Île des esclaves est une comédie en un acte de 11 scènes et en prose de marivaux représentée pour la première fois le lundi 5 mars 1725 à l hôtel de bourgogne par les comédiens italiens les personnages grecs le naufrage ainsi que le caractère d euphrosine tendent vers une tragédie

[l azle des esclaves download only cyberlab sutd edu sg](#) - Sep 04 2023

web stir both in france and in england l île des esclaves de marivaux fiche de lecture jul 30 2022 cette fiche de lecture sur l île des esclaves de marivaux propose une analyse complète un résumé de l île des esclaves une analyse des personnages une présentation des axes d analyse du livre

[pdf l azle des esclaves la colonie suivi d un parcours](#) - Aug 03 2023

web l azle des esclaves la colonie suivi d un parcours de la colonisation chez les peuples modernes etc aug 19 2022 the amelioration of the slaves in the british empire oct 29 2020 a la fin du dix huitième siècle l institution de l esclavage était menacée par les forces de changement

[l azle des esclaves la colonie suivi d un parcours pdf serbin](#) - Aug 23 2022

web l ile des esclaves pierre de marivaux 2011 12 07 Édition enrichie préface notes dossier sur l œuvre chronologie et bibliographie echoués à la suite d un naufrage sur une île gouvernée par des esclaves fugitifs une coquette et un petit maître perdent la liberté tandis que leurs esclaves désormais affranchis deviennent

[l île des esclaves wikipedia](#) - Nov 25 2022

web l Île des esclaves english slave island is a one act comedy by pierre de marivaux it was the first of three plays in the series 1 it was presented for the first time on march 5 1725 at the hôtel de bourgogne by the comédie italienne an actress named silvia played cléanthis and thomassin played the role of arlequin 2

[l azle des esclaves la colonie suivi d un parcours book](#) - Dec 27 2022

web apr 24 2023 l ile des esclaves pierre de marivaux 2011 12 07 Édition enrichie préface notes dossier sur l œuvre chronologie et bibliographie echoués à la suite d un naufrage sur une île gouvernée par des esclaves fugitifs une coquette et un petit maître perdent la liberté tandis que leurs esclaves

[l île des esclaves de marivaux fiche de lecture pour le bac](#) - Sep 23 2022

web aug 29 2020 l île des esclaves est une utopie qui transporte le spectateur sur une île antique où l ordre social est renversé les maîtres deviennent esclaves et les esclaves deviennent maîtres ce renversement de rang vise à amuser le spectateur mais aussi à me faire réfléchir les maîtres méritent ils vraiment d être des maîtres

[l azle des esclaves alpaca awamaki org](#) - Jul 02 2023

web 4 l azle des esclaves 2020 10 12 se voient contraints d échanger leurs conditions lamentations pour les uns cris de revanche ou de joie pour les autres la scène du théâtre à l image de cette île de tous les possibles devient un laboratoire où marivaux expérimente l inversion sociale devant leurs anciens maîtres désespérés et

[l azle des esclaves help environment harvard edu](#) - May 20 2022

web l ile des esclaves pierre de marivaux 2011 04 13 la tradition littéraire et philosophique s est plu situer ses socits idales

imaginaires ou utopies dans des les en 1725 marivaux imagine son tour dans l le des esclaves une communit o les matres deviennent esclaves en vertu d une antique coutume tandis que les

[pdf l azle des esclaves la colonie suivi d un parcour](#) - Jun 01 2023

web l attribution de lopins de terre individuels ont amélioré la condition des esclaves un autre succès de cette politique était la conversion des esclaves au christianisme par le biais de l éducation on apprend aux esclaves à lire et à écrire de plus par l étude de la bible ils sont devenus chrétiens pratiquants une des

ebook l azle des esclaves la colonie suivi d un parcour - Mar 30 2023

web l azle des esclaves la colonie suivi d un parcour hati ses progrs son avenir avec un prcis historique sur ses constitutions le texte de la constitutions actuellement en vigueur et une bibliographie d hati sep 02 2023 le messianisme de louis riel

l azle des esclaves download only cyberlab sutd edu sg - Feb 14 2022

web fichedelecture fr l île des esclaves sep 18 2023 sur l île des esclaves où euphrosine et iphicrate ont échoué une loi impose aux maîtres et aux valets d échanger leur condition soumis aux épreuves et aux humiliations de leurs domestiques ces deux jeunes maîtres sont confrontés à l inégalité des conditions

l azle des esclaves la colonie suivi d un parcour 2023 - Apr 30 2023

web l azle des esclaves la colonie suivi d un parcour la nature 1898 nouveau larousse illustré pierre larousse 1898 grand dictionnaire universel a z 1865 76 pierre larousse 1866 a z 1866 70 pierre larousse 1872 le jeu de l amour et du hazard comédie en trois actes par marivaux 1749

constantinopla 1453 el ultimo gran asedio atico t pdf - Sep 05 2022

web constantinopla 1453 el ultimo gran asedio atico t 3 3 corría el año 390 a c la ciudad de roma estaba en manos de los senones un pueblo galo que había invadido el lacio desde el norte había sido arrasada sin piedad y sus habitantes presas del pánico la habían abandonado o habían perecido defendiéndola solo unos pocos resistían

1453 la caída de constantinopla enciclopedia de la historia del - Feb 10 2023

web jan 23 2018 la ciudad de constantinopla hoy estambul fue fundada por el emperador romano constantino i en el 324 d c sobre la península en el actual estrecho de bósforo pasando a ser la capital del imperio romano de oriente o imperio bizantino como se le conoció más tarde por más de 1 000 años aunque la ciudad sufrió muchos ataques

constantinopla 1453 el último gran asedio ático tempus by - Jul 03 2022

web jun 18 2023 constantinopla 1453 el último gran asedio ático tempus by roger crowley de 1453 de roger crowley es un hito de la historia narrativa en su estado más deslumbrante

constantinopla 1453 el último gran asedio atico tempus - Dec 28 2021

web de roger crowley autor joan eloi roca traductor 4 8 29 valoraciones ver todos los formatos y ediciones constantinopla

1453 el último gran asedio de la edad media constantinopla a caballo entre asia y europa fue una de

constantinopla 1453 el ultimo gran asedio atico t - Jan 29 2022

web this constantinopla 1453 el ultimo gran asedio atico t as one of the most practicing sellers here will utterly be in the course of the best options to review constantinopla 1453 el ultimo gran asedio atico t downloaded from nirvanakitchenlondon.co.uk by

constantinopla 1453 el último gran asedio atico historia - Apr 12 2023

web crowley es autor además de constantinopla 1453 el último gran asedio Ático de los libros 2014 y city of fortune obras que lo confirman como uno de los historiadores que más y mejor ha escrito sobre el mediterráneo un mar cuyo pasado y presente conoce a

constantinopla 1453 el último gran asedio el español - May 13 2023

web apr 24 2015 luis ribot la caída de constantinopla en 1453 plasmada por el pintor griego theophilos hatzimihail 1932 traducción de joan e roca Ático de los libros barcelona 2015 428 páginas 26

constantinopla 1453 el Último gran asedio Ático historia - Aug 16 2023

web son los otomanos liderados por el joven sultán mehmed ii un hombre que aspira a convertir el imperio otomano en un imperio mundial para ello prepara un formidable ejército con el que asediar las murallas de constantinopla en el que se empleará por primera vez en un gran asedio una nueva y demoledora arma la artillería

constantinopla 1453 el ultimo gran asedio atico t pdf - Jun 02 2022

web jul 18 2023 constantinopla 1453 el ultimo gran asedio atico t 1 7 downloaded from uniport.edu.ng on july 18 2023 by guest constantinopla 1453 el ultimo gran asedio atico t getting the books constantinopla 1453 el ultimo gran asedio atico t now is not type of challenging means you

constantinopla 1453 el último gran asedio Ático tempus - Aug 04 2022

web oct 10 2018 constantinopla 1453 el último gran asedio Ático tempus spanish edition crowley roger roca joan eloi on amazon.com free shipping on qualifying offers constantinopla 1453 el último gran asedio Ático tempus spanish edition

constantinopla 1453 el ultimo gran asedio atico t copy - Mar 31 2022

web this constantinopla 1453 el ultimo gran asedio atico t as one of the most effective sellers here will totally be in the midst of the best options to review constantinopla 1453 el ultimo gran asedio atico t downloaded from cybersmash.io by guest

constantinopla 1453 el último gran asedio metahistoria - Jul 15 2023

web con estas palabras describe roger crowley en su obra constantinopla 1453 el último gran asedio una de las consecuencias más relevantes de la caída de la capital bizantina aunque el empuje musulmán había alcanzado el atlántico todavía no contaba con un baluarte político de envergadura

c89ymulr17 ovd new constantinopla 1453 el ultimo gran asedio - Feb 27 2022

web constantinopla 1453 el ultimo gran asedio atico tempus audiobook descargar constantinopla 1453 el ultimo gran asedio atico tempus read online constantinopla

constantinopla 1453 el ultimo gran asedio atico t full pdf - May 01 2022

web 2 constantinopla 1453 el ultimo gran asedio atico t 2019 09 11 en la medida que los centros académicos superiores e intermedios han incrementado el cultivo de las ciencias sociales todos los documentos que relatan describen analizan e interpretan los fenómenos transformadores de la historia la sociología la geopolítica el desarrollo y

constantinopla 1453 el ultimo gran asedio atico t iriss ac - Jun 14 2023

web constantinopla 1453 el ultimo gran asedio atico t downloaded from iriss ac uk august krueger historia general de es paña desde los tiempos primitivos hasta la muerte de fernando vii univ de castilla la mancha los estudios recogidos en este volumen analizan aspectos esenciales para un mejor conocimiento de constantinopla

constantinopla 1453 el último gran asedio roger crowley - Oct 06 2022

web constantinopla 1453 el último gran asedio de roger crowley Únete a mi patreon patreon com pjorgesobre este libro constantinopla 1453 en amazon

constantinopla 1453 el ultimo gran asedio lavanguardia com - Jan 09 2023

web oct 10 2018 sinopsis constantinopla 1453 el último gran asedio de la edad media constantinopla a caballo entre asia y europa fue una de las ciudades más legendarias del mundo

1453 la caída de constantinopla el final de un imperio y el - Mar 11 2023

web jun 3 2020 inicio del asedio el asedio de constantinopla se inició oficialmente el 7 de abril de 1453 cuando la gran bombardera construida por orban realizó el primer disparo contra la muralla a la altura del valle del río lico situado junto a la puerta de san romano en el centro de la línea de murallas éstas construidas en el siglo v no habían

constantinopla 1453 sitiadores y sitiados la caída de constantinopla - Dec 08 2022

web sería el hijo y sucesor de murad el joven mohamed ii 1451 1481 el que decidido a poner punto y final a aquel anacronismo histórico situado en el centro de sus dominios movilizase todos sus recursos económicos y militares con un único objetivo tomar constantinopla iniciado el asedio por mar y tierra a principios de abril de 1453 la

constantinopla 1453 el último gran asedio ático tempus by - Nov 07 2022

web jun 21 2023 constantinopla 1453 el ultimo gran asedio empastado críticas la historia de la caída de constantinopla es uno de los hitos más emocionantes de la historia mundial y en las manos de roger crowley está excepcionalmente bien narrada

das wundervolle radiobuch moderne moderation im radio - Sep 09 2022

web jun 16 2023 nichts die mystische theologie des das wundervolle radiobuch moderne moderation im radio das wundervolle radiobuch radioszene rudolf arnheims

moderne literatur beliebte empfohlene bücher bei lovelybooks - May 05 2022

web auf der suche nach guten moderne literatur büchern hier findest du alle bücher die lovelybooks leser innen mit dem tag moderne literatur

das wundervolle radiobuch moderne moderation im radio - Aug 20 2023

web ddbpro das portal für datenpartner die kultursuchmaschine aktuell 47 518 913 objekte standard standard suche

das wundervolle radiobuch moderne moderation im radio - Dec 12 2022

web abebooks com das wundervolle radiobuch moderne moderation im radio persönlichkeits kommunikation motivation german edition 9783848718887 by lynen

das wundervolle radiobuch moderne moderation im r copy - Feb 02 2022

web appropriately easy so are you question just exercise just what we have the funds for under as well as review das wundervolle radiobuch moderne moderation im r what

das wundervolle radiobuch moderne moderation im radio - Jan 13 2023

web das wundervolle radiobuch moderne moderation im radio persönlichkeits kommunikation motivation von lynen patrick bei abebooks de isbn 10 384871888x

das wundervolle radiobuch moderne moderation im r pdf - Aug 08 2022

web apr 22 2023 enjoy now is das wundervolle radiobuch moderne moderation im r below the mobile audience martin rieser 2011 the convergence of mobile technologies and

das wundervolle radiobuch moderne moderation im r copy - Oct 10 2022

web this on line revelation das wundervolle radiobuch moderne moderation im r as skillfully as evaluation them wherever you are now das wundervolle radiobuch moderne

das wundervolle radiobuch moderne moderation im radio - Jun 18 2023

web viele hundert sender im deutschsprachigen bereich wollen unverwechselbare sendungen ausstrahlen mit unverwechselbaren persönlichkeiten trotzdem gibt es nur wenige

buch rezension wunderbar moderatorenschule baden - Jun 06 2022

web feb 15 2018 eine gute präsentation oder moderation lädt das publikum ein zum mitdenken mitmachen mitfühlen ich arbeite selbst sehr viel mit interaktionen in meinen

das wundervolle radiobuch moderne moderation im r book - Mar 03 2022

web right here we have countless book das wundervolle radiobuch moderne moderation im r and collections to check out we

additionally offer variant types and after that type

das wundervolle radiobuch moderne moderation im r copy - Jan 01 2022

web recognizing the quirk ways to get this books *das wundervolle radiobuch moderne moderation im r* is additionally useful you have remained in right site to start getting

das wundervolle radiobuch moderne moderation im r 2023 - Jul 19 2023

web *das wundervolle radiobuch moderne moderation im r* everything in moderation jun 03 2021 i ve never met danny finkelstein but i think i m in love with him his book is

radio zeitschrift wikipedia - Jul 07 2022

web die radio russisch Радио ist eine russische monatlich erscheinende wissenschaftlich technische zeitschrift die sich dem amateurfunk der heimelektronik audiotechnik

das wundervolle radiobuch moderne moderation im r 2023 - Apr 04 2022

web *wundervolle radiobuch moderne moderation im r* but end up in harmful downloads rather than enjoying a good book with a cup of coffee in the afternoon instead they

das wundervolle radiobuch moderne moderation im radio - Apr 16 2023

web amazon com *das wundervolle radiobuch moderne moderation im radio* personlichkeit kommunikation motivation german edition 9783832953584 lynen

das wundervolle radiobuch moderne moderation im radio - Sep 21 2023

web *das wundervolle radiobuch moderne moderation im radio* personlichkeit kommunikation motivation taschenbuch 29 april 2010 viele hundert sender im

das wundervolle radiobuch moderne moderation im radio zvab - Mar 15 2023

web *das wundervolle radiobuch moderne moderation im radio* personlichkeit kommunikation motivation von lynen patrick beim zvab com isbn 10 3832953582

das wundervolle radiobuch moderne moderation im radio - May 17 2023

web jan 1 2003 *das wundervolle radiobuch moderne moderation im radio* personlichkeit kommunikation motivation

das wundervolle radiobuch von patrick lynen bücher de - Feb 14 2023

web *das wundervolle radiobuch moderne moderation im radio* personlichkeit kommunikation motivation

das wundervolle radiobuch moderne moderation im r - Nov 11 2022

web *das wundervolle radiobuch moderne moderation im r* is available in our book collection an online access to it is set as public so you can download it instantly our